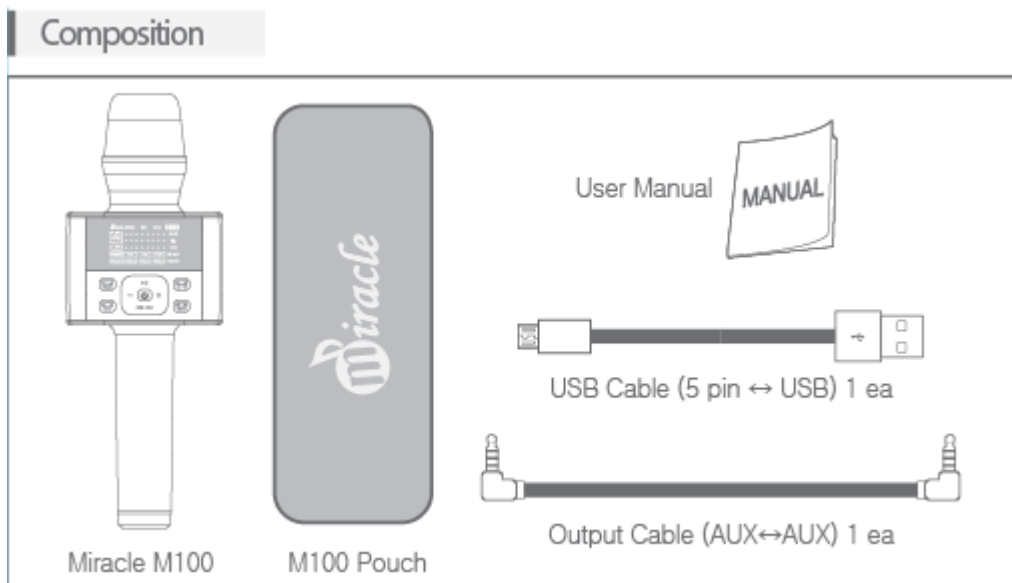


# M100 Manual



## Directions

For more detailed directions see enclosed instructions.

1. Turn ON : Press Power button 2-3 seconds, then MIC will turn on with LED light on.
2. Bluetooth Pairing: You can pair using Bluetooth. (Please check the description below)
3. Play Music: You can play music through a Smartphone APP.
4. Volume Control: You can control Volume and Echo on demand.
5. Lyrics Elimination Mode: This mode significantly lowers recorded singer's voice.
6. Duet Mode: Connect two mics together so you can sing with others.
7. Turn ON / OFF : Press POWER button 2-3 seconds.
8. Press SOUND EFFECT button quickly and you will hear the applaud sound and press
9. again for 2-3 sec for fanfare sound.
10. Sound Modification : 5 kinds of Echo effects / 3 kinds of Voice Modifications.
11. FM Connection : In case you want to connect MIC by FM, Press this button and tune the frequency as shown on MIC.
12. Recharge cable antenna : Recharge cable can also be used as an antenna when you use

FM connection.

13. App : You can use any Smartphone APP to use this product.

14. AUX OUT : Expand your sound by using AUX out port.

## Caution

When Howling noise occurs, please reduce the volume of the echo effector on the microphone.

When using the Bluetooth function, the connection distance of device should not exceed 10m.

Do not lick products, and do not use them in wet or humid places. If the product is dropped from a high place, It may cause product damage or malfunction.

Stay away from heat and hot air, this may cause explosion of battery, degrades performance or decreased longevity.

Do not keep the product inside a car. There is a possibility of explosions.

When your charging, the proper temperature is between -10°C and 40°C.

## Recharge

Note : The MIC will automatically turn off when the battery charge is low .

The included battery [in the package] is not fully charged. You may use the device after it is fully charged.

Microphone must be turned off when charging.

Plug the micro USB port cable into the MIC Port, and another port into a USB charger receptacle.

Full charge usually take 1-3 hours.

A fully charged Battery can be used for 1-4 hours.

\* Please note that charging times can vary depending on outside circumstance or \_\_\_\_\_ battery condition.

\* You can check the battery status on your M100 MIC.

## Sound Effect

: Pick 5 kinds Echo effects from the Echo Menu, also you can pick 3 kinds of interesting voice modification as shown below.



## Before Bluetooth Pairing

Distance between MIC and Smartphone should be 6 ft.(2M) for effective pairing.

If pairing fails, turn your MIC off and try it again.

Important conditions below :

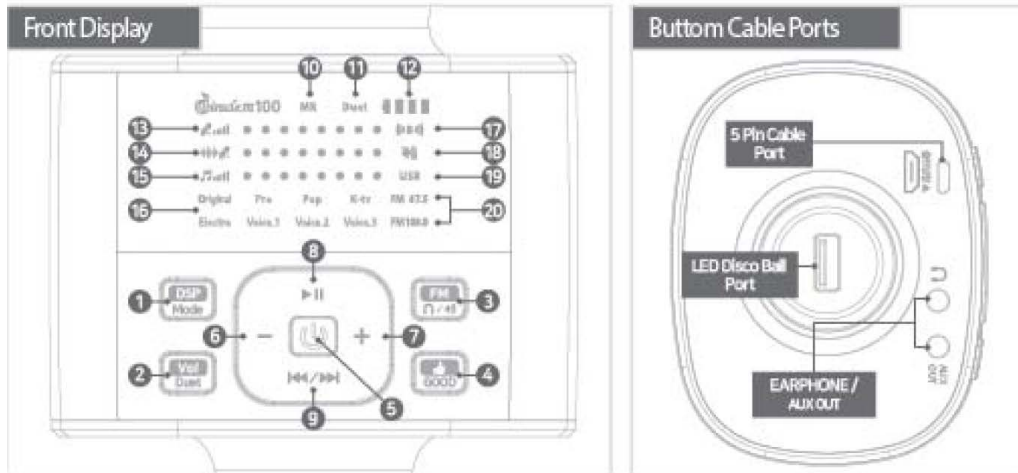
- Check your Smartphone connection with other Bluetooth devices.
- Do not use this device in prohibited areas. (hospital, air plane)
- Partitions, walls or other obstacles can cause interference or malfunction.

## Bluetooth Pairing

By pressing POWER button for 3 sec, the MIC will automatically search for bluetooth CONNECTION

1. Press M100 POWER button 3 sec, MIC will say "Power is on, Bluetooth Mode."  
(When you turn on the MIC, it will automatically reconnect with former bluetooth device)
2. Choose M100 MIC on your Smartphone Bluetooth device list.
3. Ding-dong sounds when Bluetooth connected.
- 4.

## M100 MIC



- |          |                      |   |
|----------|----------------------|---|
| <b>1</b> | <b>SOUND/MODE</b>    | * Sound Modification. * Press 2-3 sec: Mode modification (USB↔Bluetooth).                                       |
| <b>2</b> | <b>VOLUME/DUET</b>   | * MIC, ECHO, MUSIC Volume Modification. * Press 2-3 sec : Duet Mode.  |
| <b>3</b> | <b>FM/MUTE</b>       | * MIC to FM Connection ON/OFF & Frequency Modification<br>* Press 2-3 Sec : MIC Speaker Mute - FM Speaker only. |
| <b>4</b> | <b>Sound Effect</b>  | * Press quickly : Applaud sound. * Press 2-3 sec : Fanfare sound.   |
| <b>5</b> | <b>Power</b>         | * Press 2-3 sec : Power ON/OFF. * Press quickly : Lyric Elimination Mode.                                       |
| <b>6</b> | <b>Volume Down</b>   | <b>7</b> <b>Volume Up</b>   |
| <b>9</b> | <b>Previous/Next</b> | <b>8</b> <b>Play / Pause</b><br>* Press 2-3 sec : Previous Song. * Press quickly : Next Song.                   |

### LED Display Information (LED display and Feature Information)

- |                                  |                        |   |                                   |
|----------------------------------|------------------------|---|-----------------------------------|
| <b>10</b> Lyric Elimination Mode | <b>11</b> Duet Mode    | <b>12</b> Battery Status                                      | <b>13</b> MIC Volume              |
| <b>14</b> Echo Volume            | <b>15</b> Music Volume | <b>16</b> Sound Effect (5 Echo Sounds, 3 Voice modifications) |                                   |
| <b>17</b> Bluetooth Mode         | <b>18</b> Mute         | <b>19</b> USB   | <b>20</b> FM Connection Frequency |

### Lyric Elimination Mode

What is Lyric Elimination mode ?

: This mode significantly lowers recorded singer's voice.

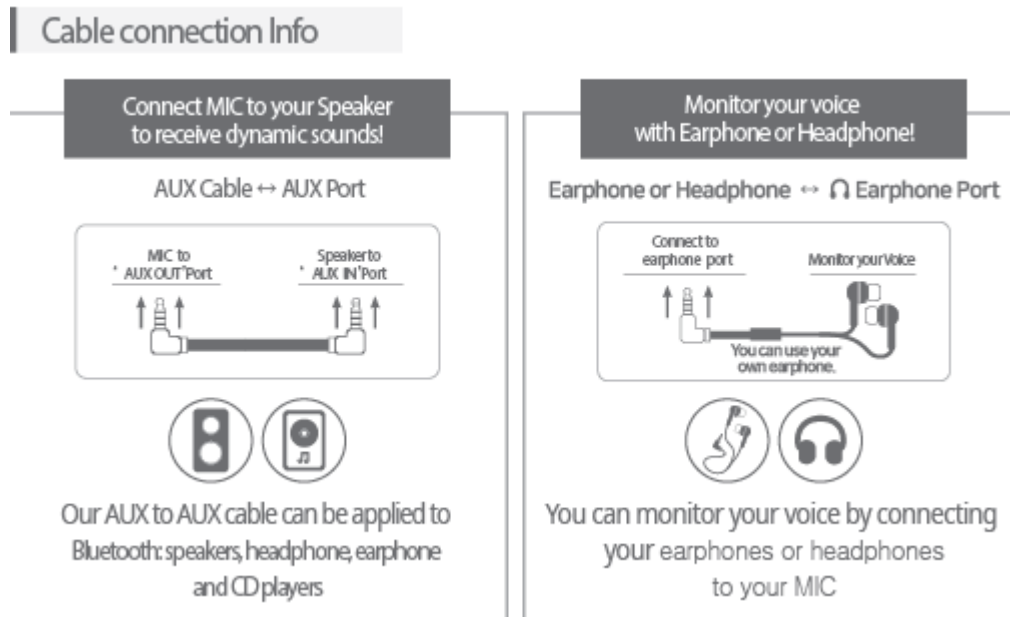
How to use Lyric Elimination Mode

1. Pair your MIC and Smartphone then play music you like.
2. Press quickly POWER button, then Lyric Elimination Mode starts.
3. Press POWER button quickly then Lyric Elimination Mode will be turned off.

※ This feature needs bluetooth paired MIC with your Smartphone.

\* You do not need an additional APP when using Lyric Elimination Mode.

\*\* Lyrics Elimination Mode cannot completely remove the recorded singers' voice, it will vary depending on the condition of the MP3 file.



## Duet Mode

What is Duet Mode?

: Connect two MICs together so you can sing with others.

How to use Duet Mode

1. Turn on both MICs.
2. Connect your Smartphone to one of your MIC. (Connected MIC with Smartphone is your MAIN MIC)
3. Press DUET MODE button on your main MIC. (Press 2-3 sec)
4. Main MIC will search pairable MIC and will be connected with sound.
5. Duet Mode LED light will be on.

## FM Connection

FM Connection : Connect MIC to your radio by using FM frequency.

How to use

1. You do not need to use any AUX cable when you connect your MIC to FM radio.
2. Tune your radio frequency at 88.1 MHz or 107.9 MHz.
3. Select a FM radio frequency on your MIC by pressing FM button.
4. You can turn ON/OFF your MIC speaker by pressing FM button 2-3 sec.

## Audience Sound Effect

: You can use some interesting reaction sounds by pressing Audience Sound Effect.

How to use

1. Press SOUND EFFECT button quickly and you will hear the applaud sound and press again for 2-3 sec for fanfare sound.
2. When you press SOUND EFFECT button while playing music, you will only hear the Sound Effect.

## FAQ

Status	Reasons	Solutions
Microphone not working	Can't be turned on or the voice volume can't be adjusted	Change the MIC, press power button 2-3 seconds and adjust the volume
No Reverberation	Unable to turn up echo volume	Switch to Echo volume and press VOL+
Presence of noise	Environmental noise mobile phone signal interference	Adjust the distance between microphone and Cellphone

Poor Recording	Phone does not match. Phone chip processing ability that is too weak	Restart the Smart Phone to try again or try another Smart Phone
When Playing music, staccato appears	Too Distant to Bluetooth connection or obstructions between phone and device	Move closer to Smart Phone, keep away from obstructions
Weak accompaniment sound	Low phone volume or bad-quality music	Turn up phone volume or download high-quality music
Bluetooth cannot be paired	Distant Bluetooth connection or already paired with another phone	Get closer to Smartphone or reconnect with another Smartphone..

### **FCC Information to User**

This equipment has been tested and found to comply with the limits for a Class B digital device, pursuant to Part 15 of the FCC Rules. These limits are designed to provide reasonable protection against harmful interference in a residential installation. This equipment generates, uses and can radiate radio frequency energy and, if not installed and used in accordance with the instructions, may cause harmful interference to radio communications. However, there is no guarantee that interference will not occur in a particular installation. If this equipment does cause harmful interference to radio or television reception, which can be determined by turning the equipment off and on, the user is encouraged to try to correct the interference by one of the following measures:

- Reorient or relocate the receiving antenna.
- Increase the separation between the equipment and receiver.
- Connect the equipment into an outlet on a circuit different from that to which the receiver is connected.
- Consult the dealer or an experienced radio/TV technician for help.

### **Caution**

Modifications not expressly approved by the party responsible for compliance could void the user's authority to operate the equipment.

**FCC Compliance Information :** This device complies with Part 15 of the FCC Rules. Operation is subject to the following two conditions: (1) This device may not cause harmful interference, and (2) this device must accept any interference received, including interference that may cause undesired operation