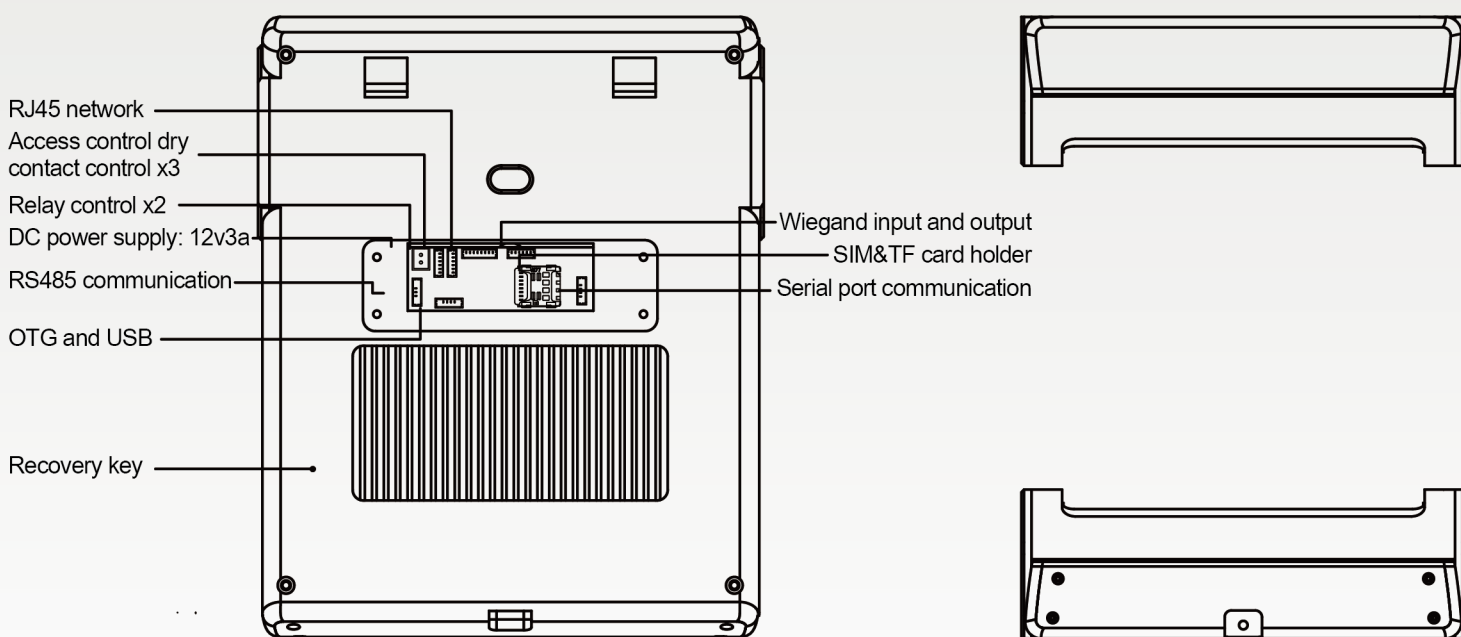
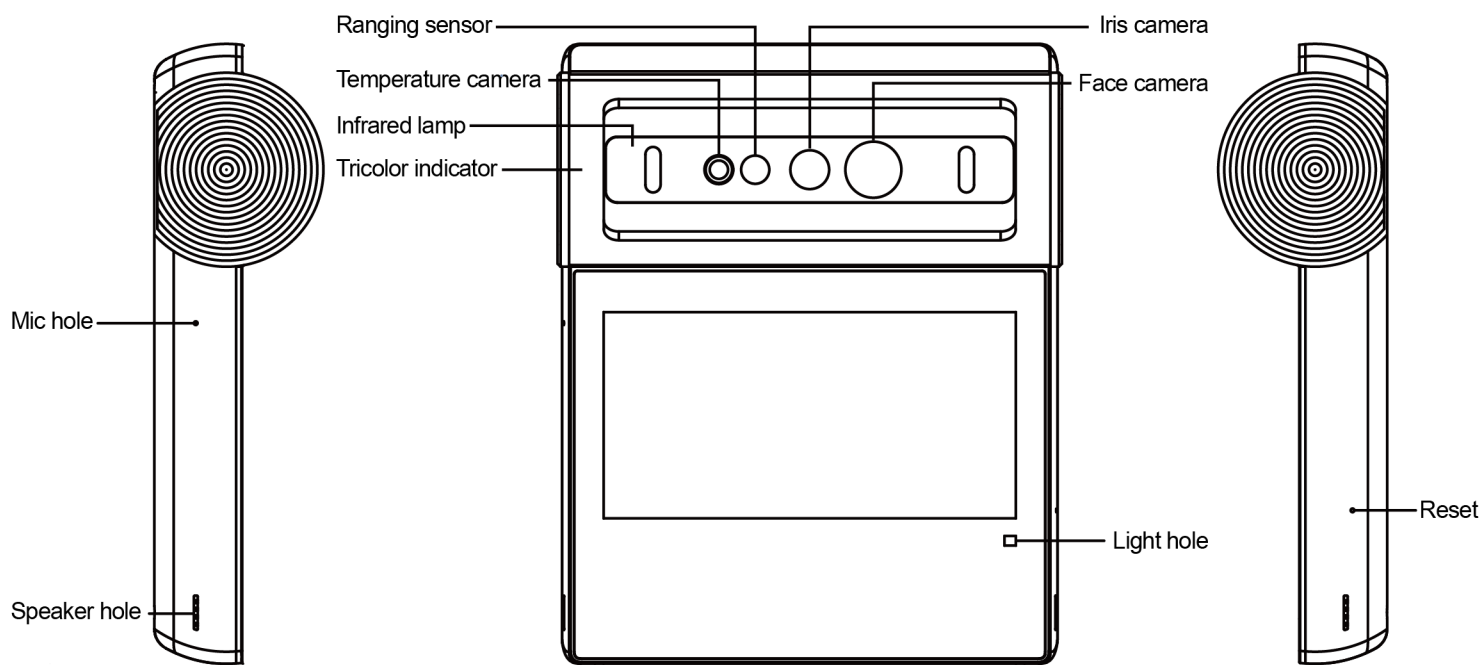
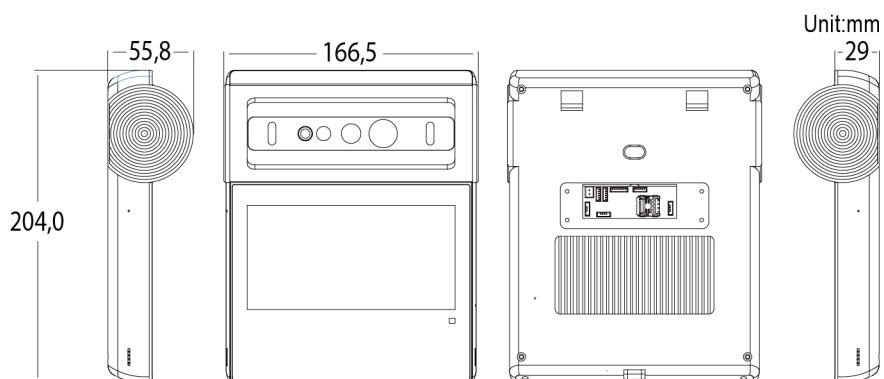


# Component Composition



# Technical Parameter



## Technical Parameter

Product ruler	204mm*167mm*56mm
Working mode	Single machine mode / network mode
Operating system	Android 7.1
Verification mode	Random combination of face, iris and card, and the networking mode supports grouping function
Pitch positioning time	1-2s
Iris registration time	1-2s (After pitch positioning)
Iris recognition time	1-2s (After pitch positioning)
LCD touch screen	6 inches
Working distance	Iris and face registration 40-55cm; Iris and face recognition 40-65cm; Thermometry 40-65cm
Adapt to the height	Range of 1.4-1.9m (at the height of 1.5m, the module is installed horizontally)
Accuracy	When $FRR = 1/1000$ , $FAR \leq 1/10$ million
Ambient light intensity	Can be used normally in extreme light environment (0.5ux-50000x)
Optical safety	Light safety infrared lighting conforms to EC / en62471 international safety standard
Face camera	2 million wide dynamic camera, dynamic range up to 100dB, supporting backlight recognition
Storage capacity	50000 logs, standard configuration for 10000 people, supporting capacity expansion, unlimited networking support

# FCC Statement

Changes or modifications not expressly approved by the party responsible for compliance could void the user's authority to operate the equipment.

This equipment has been tested and found to comply with the limits for a Class B digital device, pursuant to Part 15 of the FCC Rules. These limits are designed to provide reasonable protection against harmful interference in a residential installation. This equipment generates uses and can radiate radio frequency energy and, if not installed and used in accordance with the instructions, may cause harmful interference to radio communications. However, there is no guarantee that interference will not occur in a particular installation. If this equipment does cause harmful interference to radio or television reception, which can be determined by turning the equipment off and on, the user is encouraged to try to correct the interference by one or more of the following measures:

- Reorient or relocate the receiving antenna.
- Increase the separation between the equipment and receiver.
- Connect the equipment into an outlet on a circuit different from that to which the receiver is connected.
- Consult the dealer or an experienced radio/TV technician for help

This device complies with part 15 of the FCC rules. Operation is subject to the following two conditions (1) this device may not cause harmful interference, and (2) this device must accept any interference received, including interference that may cause undesired operation.