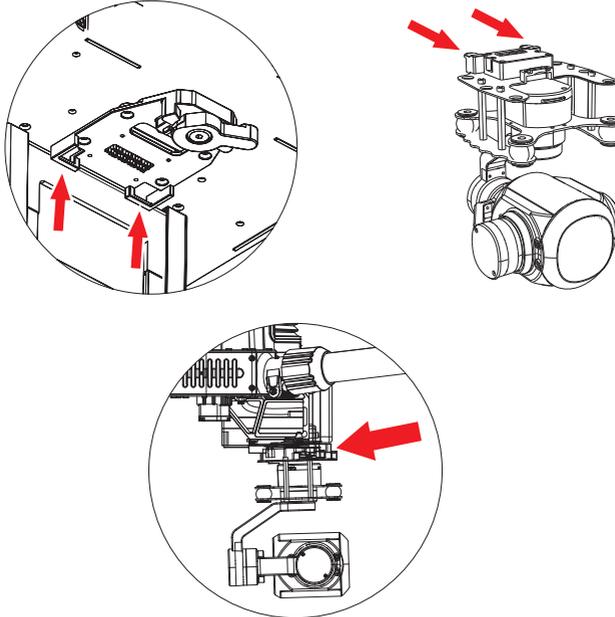


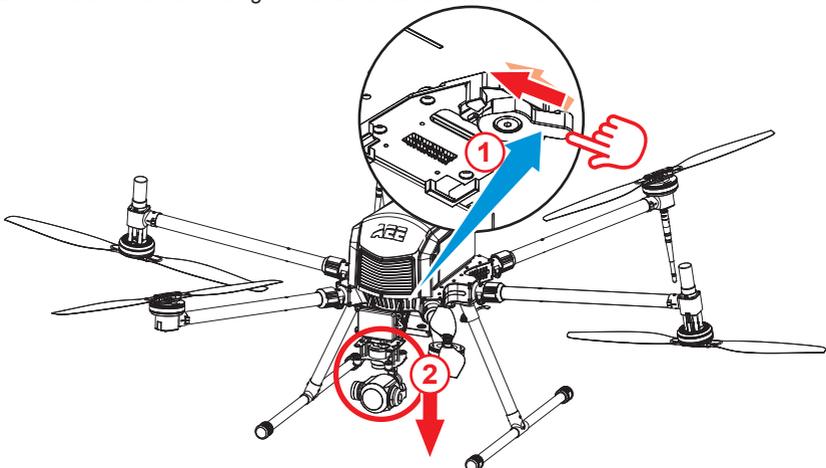
1.3.5 Attach & removal of gimbal and payload mount

1.3.5.1 Align the two pins (shown in red) of the gimbal with the clamping holder (shown in red) of the gimbal and insert them into it (observe it carefully during installation, to avoid contact with the pin at end of drone); push the gimbal to the clamping position until there's "click" sound, make sure the gimbal is clamped, and check if it is installed properly, as shown below:



1.3.5.2 Removal of gimbal

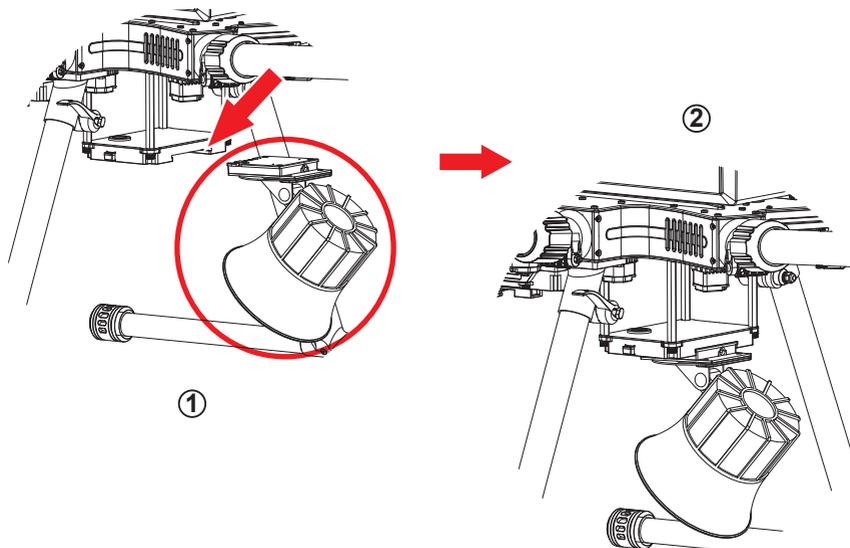
Remove the cradle head according to the arrow direction. As shown below:



While removal the cradle head, hold the cradle head with one hand and removal it with another hand, to avoid falling and damage of cradle head.

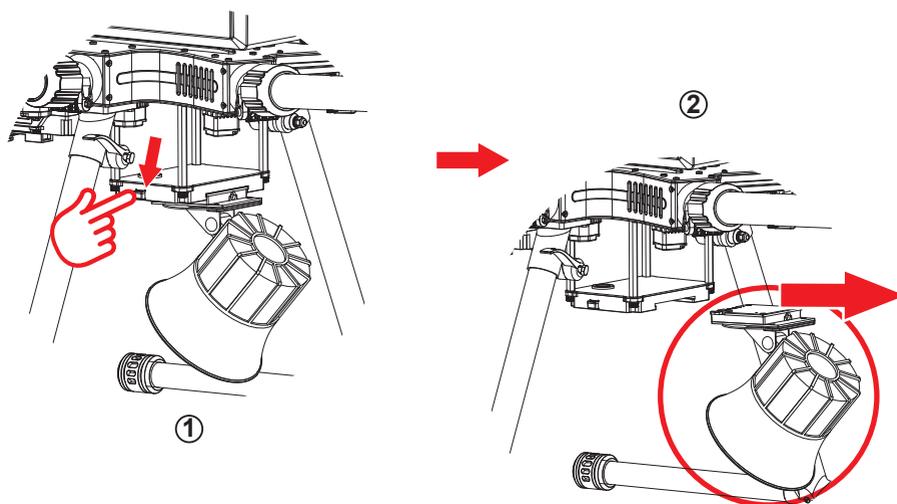
1.3.5.3 Installation of payload mount

Push in the payload mount according to the arrow direction in diagram until there's "click" sound, make sure the payload mount is clamped and check if it is installed properly. As shown in figure below:

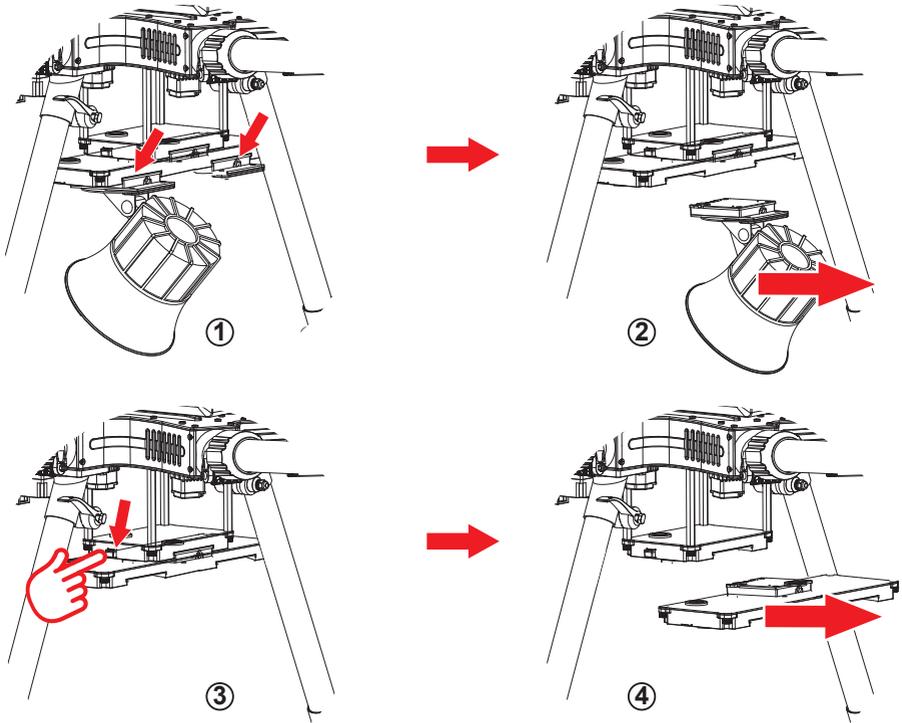


1.3.5.4 Removal of payload mount

Remove the payload mount according to the diagram. As shown in figure below:



Removal of double payload mounts. As shown in figure below:

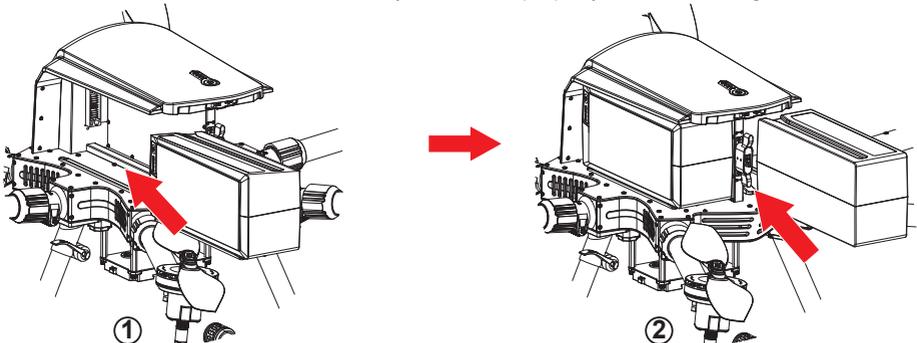


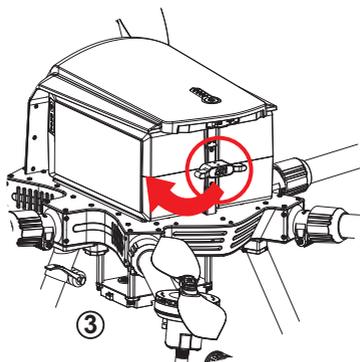
Prompt: While remove the payload mount, hold the unlock button with one hand, hold the payload mount with another hand and move it out slowly according to the direction in diagram, to avoid falling and damage of payload mount during removal.

1.3.6 Installation & removal of smart battery

1.3.6.1 Installation of smart battery

Push the battery into the battery warehouse according to the direction in diagram, make sure the battery lock can be fastened and check if the battery is installed properly. As shown in figure below:

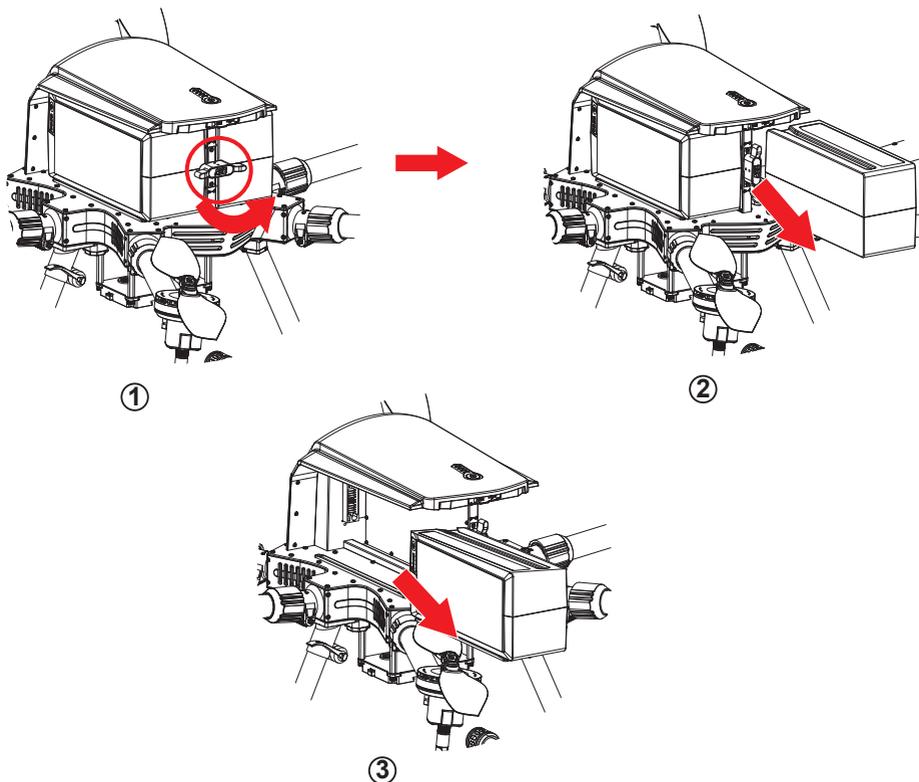




Note: If the battery or its lock is not fastened normally, it may lead to poor contact of power supply, affect the flying safety, even flying failure and affect the flying experience.

1.3.6.2 Removal of intelligent battery

Open the battery lock and take out the battery, as shown in figure below:



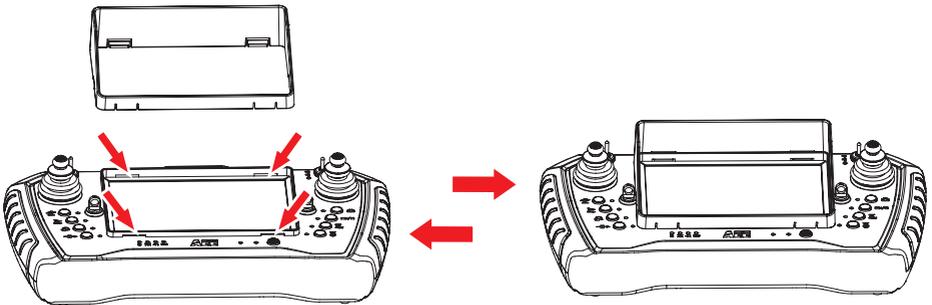
1.4 Installation of remote controller antenna

As shown in figure below:



1.4.1 Removal of hood

As shown in figure below:



1.4.2 Installation and removal of safety buckle and rope of remote control

1.4.2.1 Installation of rope

As shown in figure below:

