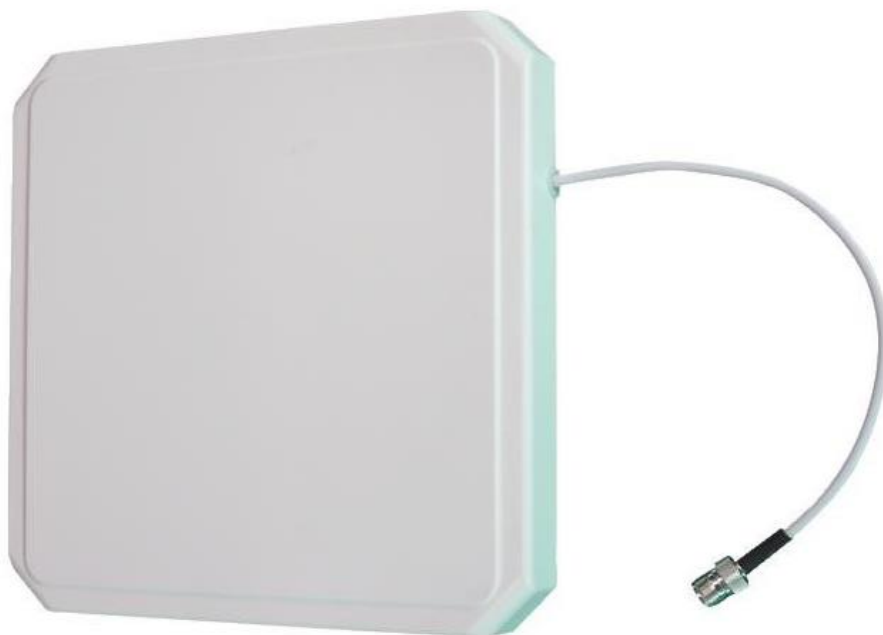
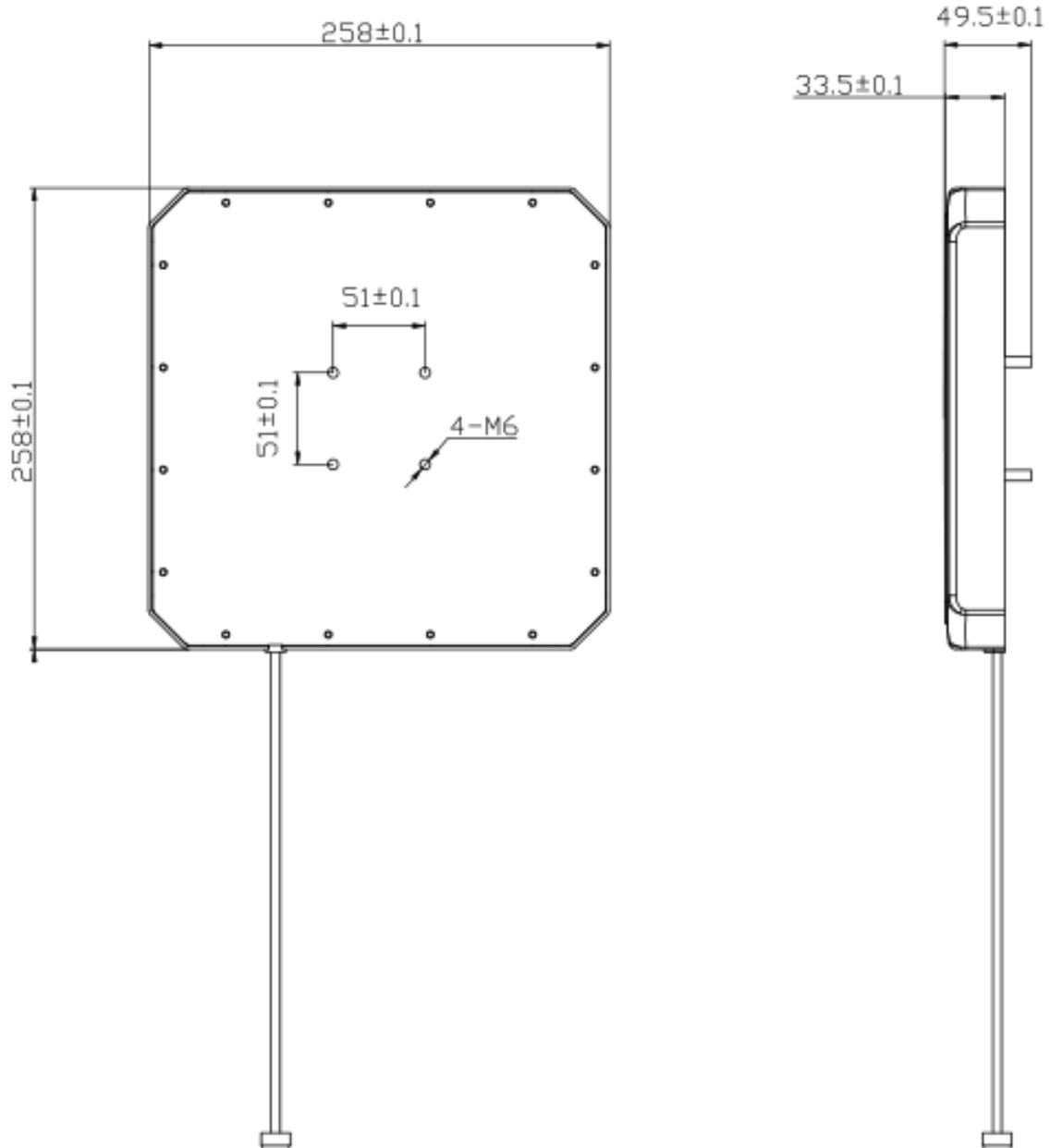


Model	a103
Electrical Specifications	
Frequency Range (MHz)	865–928MHz
Gain (dBi)	5.34 dBi @ 918 MHz
Beam Width (°)	Hor65 Ver:65
VSWR	≤ 1.2:1
Impedance (Ω)	50 Ω
Polarization	Circular polarization
MAX.Power (W)	50
axial ratio (dB)	≤ 2
Lightning protection	Direct current grounding
Length	Antenna 10cm + Extension 6m



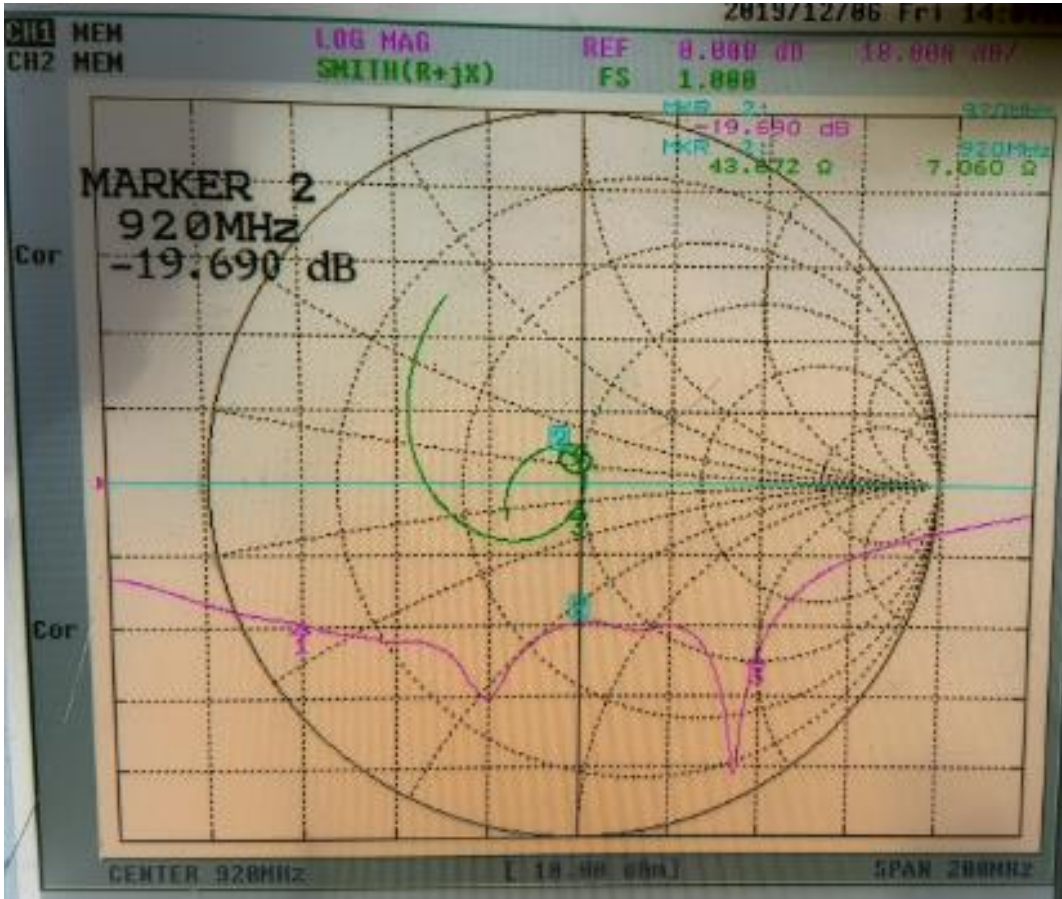
Mechanical performance	
Connector	N-male
Connector position	Bottom out
Dimension(mm)	258*258*33.5 mm
Antenna weight(kg)	0.85
Reflector material	FR4+F4B
Radome material	ABS+PC
Radome color	White
International Protection	IP65
Operating temperature(°C)	-40 ~ 55

Drawing



Pattern

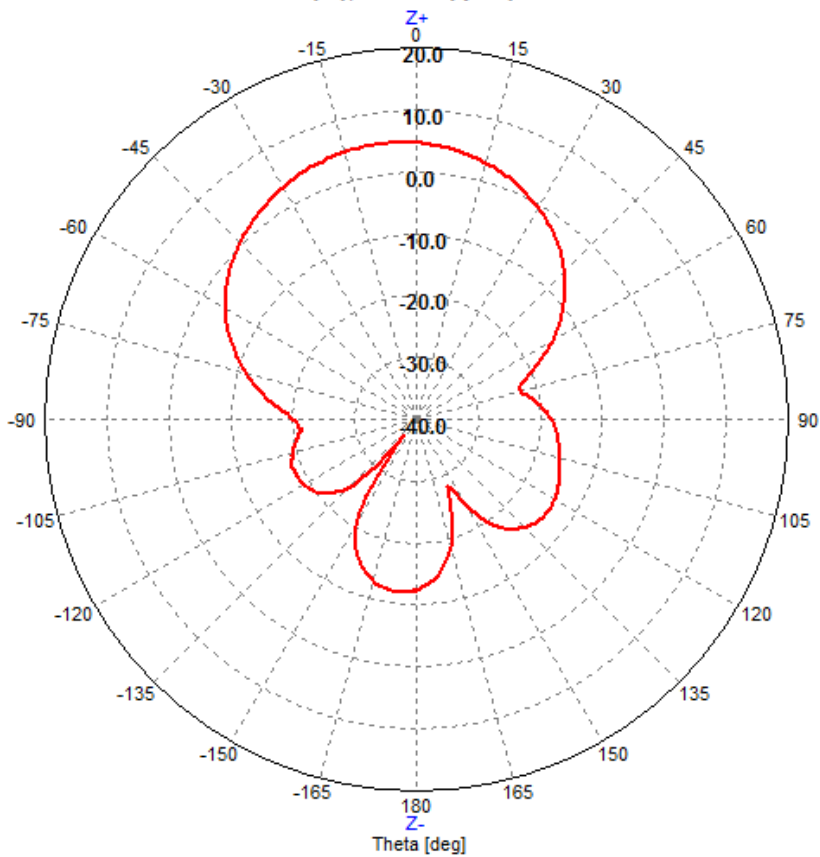
S-Parameter



Radiation Pattern

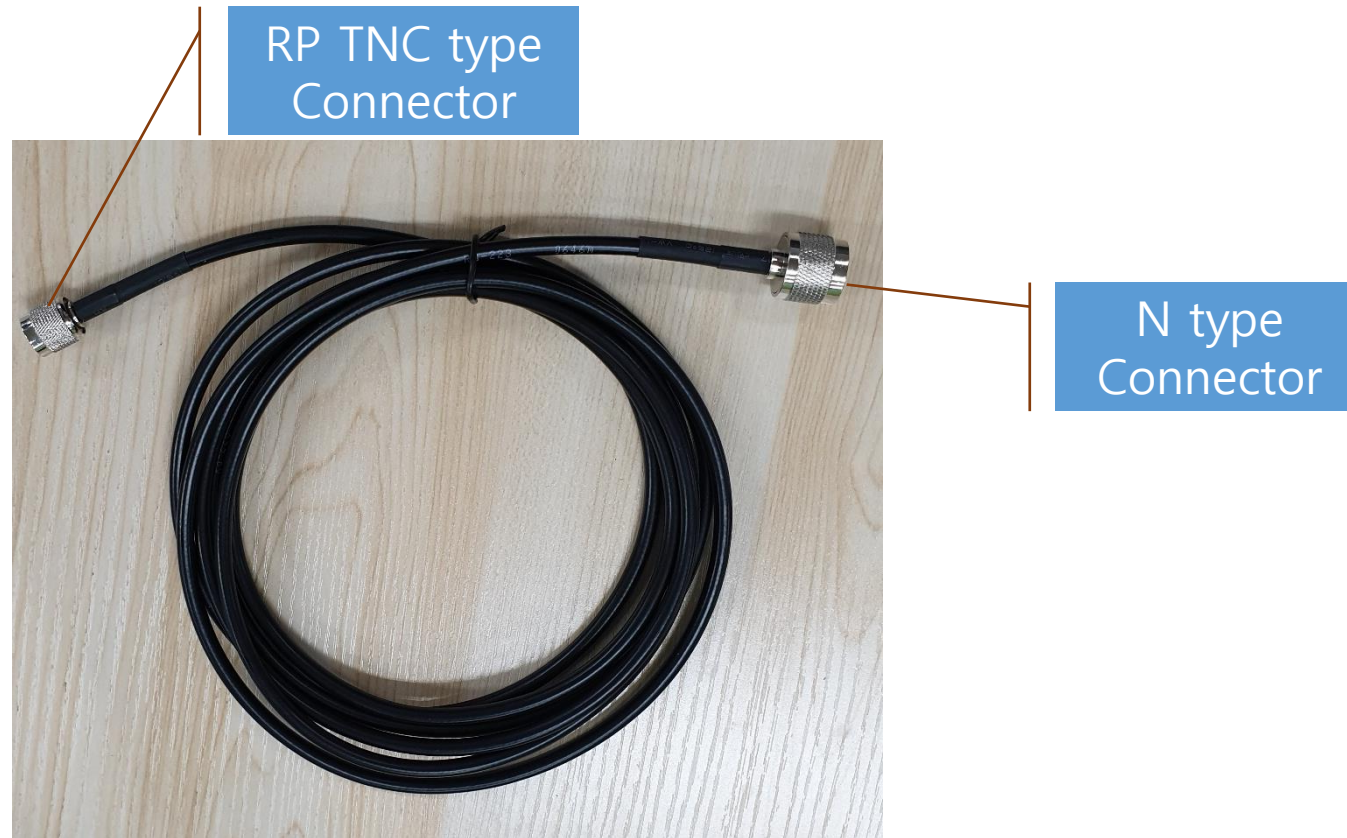
No	Freq.[GHz]	θ-Pol(H)					φ-Pol(V)					RHCP					LHCP					(-)A.R.
		Avg.[dBi]	Peak[dBi]	θ[deg]	Null[dBi]	θ[deg]	Avg.[dBi]	Peak[dBi]	θ[deg]	Null[dBi]	θ[deg]	Avg.[dBi]	Pk.[dBi]	θ[deg]	NI[dBi]	θ[deg]	Avg.[dBi]	Pk.[dBi]	θ[deg]	NI[dBi]	θ[deg]	
1	0.864	-3.13	4.18	-7.00	-47.21	-143.00	-1.22	5.27	-3.00	-17.48	-150.00	-12.31	-9.52	54.00	-20.07	-147.00	0.72	7.71	-4.00	-41.53	108.00	-0.58
2	0.865	-3.09	4.24	-6.00	-46.40	-143.00	-1.24	5.24	-4.00	-17.36	-150.00	-12.30	-9.52	54.00	-19.88	-146.00	0.73	7.72	-4.00	-43.18	107.00	-0.48
3	0.866	-3.05	4.29	-6.00	-43.76	-142.00	-1.25	5.24	-3.00	-17.18	-149.00	-12.27	-9.47	55.00	-19.79	-146.00	0.74	7.74	-4.00	-42.61	107.00	-0.51
4	0.867	-3.01	4.33	-6.00	-45.27	-142.00	-1.27	5.22	-2.00	-17.10	-148.00	-12.26	-9.46	52.00	-19.61	-147.00	0.75	7.75	-5.00	-43.51	107.00	-0.45
5	0.902	-2.92	4.62	-9.00	-37.15	-140.00	-1.33	5.13	-3.00	-18.19	120.00	-11.39	-7.34	48.00	-18.99	-142.00	0.70	7.81	-7.00	-30.70	101.00	-2.14
6	0.904	-2.88	4.68	-10.00	-37.50	-141.00	-1.29	5.18	-3.00	-18.31	119.00	-11.44	-7.32	47.00	-19.23	-142.00	0.74	7.86	-7.00	-30.12	-113.00	-2.10
7	0.906	-2.84	4.73	-8.00	-36.46	-141.00	-1.26	5.21	-4.00	-18.35	117.00	-11.48	-7.33	47.00	-19.32	-142.00	0.78	7.91	-6.00	-31.42	-113.00	-2.05
8	0.908	-2.77	4.79	-10.00	-37.30	-141.00	-1.21	5.27	-2.00	-18.52	121.00	-11.52	-7.32	50.00	-19.48	-141.00	0.85	7.97	-6.00	-33.38	-114.00	-2.00

No	θ-Pol(H)					φ-Pol(V)					RHCP					LHCP					(-)A.R.	
	Freq.[GHz]	Avg.[dB]	Peak[dBi]	θ[deg]	Null[dBi]	θ[deg]	Avg.[dB]	Peak[dBi]	θ[deg]	Null[dBi]	θ[deg]	Av.[dBic]	Pk.[dBi]	θ[deg]	NI[dBic]	θ[deg]	Av.[dBic]	Pk.[dBi]	θ[deg]	NI[dBic]		θ[deg]
10	0.912	-2.72	4.86	-9.00	-36.16	-143.00	-1.18	5.27	-4.00	-18.76	121.00	-11.72	-7.41	50.00	-20.12	-143.00	0.90	8.01	-6.00	-37.27	-114.00	-1.29
11	0.914	-2.69	4.89	-8.00	-35.59	-143.00	-1.19	5.25	-2.00	-18.82	120.00	-11.85	-7.45	50.00	-20.45	-148.00	0.91	8.03	-6.00	-38.81	-115.00	-1.10
12	0.916	-2.61	4.98	-9.00	-35.08	-144.00	-1.15	5.28	-3.00	-18.77	122.00	-11.93	-7.46	49.00	-21.10	-149.00	0.97	8.09	-6.00	-41.24	-115.00	-0.81
13	0.918	-2.49	5.11	-8.00	-34.06	-144.00	-1.08	5.34	-3.00	-19.09	-145.00	-11.99	-7.47	50.00	-21.50	-149.00	1.07	8.18	-6.00	-47.55	-115.00	-0.38
14	0.920	-2.42	5.19	-8.00	-33.79	-156.00	-1.09	5.32	-3.00	-19.36	-145.00	-12.13	-7.54	50.00	-22.14	-149.00	1.11	8.22	-7.00	-48.35	-115.00	-0.35
15	0.922	-2.45	5.15	-8.00	-34.65	-156.00	-1.22	5.17	-3.00	-19.77	-147.00	-12.40	-7.78	50.00	-22.90	-150.00	1.02	8.13	-5.00	-54.37	-115.00	-0.17
16	0.924	-2.58	5.03	-8.00	-36.04	-157.00	-1.46	4.91	-5.00	-20.31	-146.00	-12.75	-8.17	52.00	-23.46	-150.00	0.84	7.95	-5.00	-45.58	-114.00	-0.47
17	0.926	-2.70	4.90	-8.00	-36.83	-157.00	-1.72	4.64	-3.00	-20.70	-146.00	-13.12	-8.60	54.00	-24.19	-150.00	0.65	7.75	-6.00	-50.23	-175.00	-0.19
18	0.928	-2.79	4.81	-6.00	-38.70	-156.00	-1.95	4.40	-1.00	-21.05	-148.00	-13.45	-9.05	52.00	-24.54	-151.00	0.49	7.58	-6.00	-60.22	-167.00	-0.07

θ-Pol(H), Cut #1(φ=0)


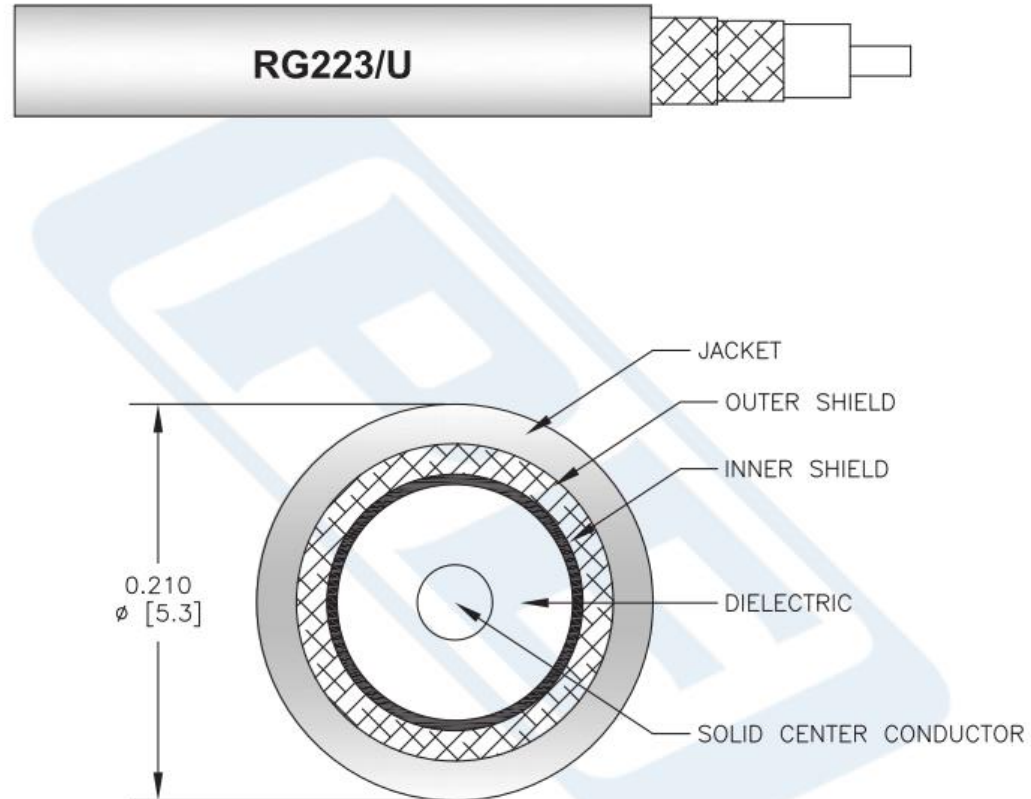
N to RP TNC RF cable

1. Cable Ass'y



N to RP TNC RF cable

2. Cable Specification (Cable : Flexible RG223/U coax)



N to RP TNC RF cable

2. Cable Ass'y Specification

Cable Length	Total L = 6.0m
Cable Loss	4.6dB @1.0GHz

