



**EUROFINS ELECTRICAL TESTING SERVICE (SHENZHEN) CO., LTD.**

# **DFS TEST - REPORT**

**FCC&IC Compliance Test Report for**

**Product name: Wi-Fi module**

**Model name: 17WFM21**

**FCC ID: 2AVQS-17WFM21**

**IC: 25888-17WFM21**

**Test Report Number: EFGX20120005-IE-01-E03**

**General disclaimer:**

The above sample(s) and sample information was/were submitted and identified on behalf of the applicant.  
Eurofins assures objectivity and impartiality of the test, and fulfills the obligation of confidentiality for applicant's commercial information and technical documents.

Test Report No.: EFGX20120005-IE-01-E03  
Eurofins Electrical Testing Service (Shenzhen) Co., Ltd.  
1st Floor, Building 2, Chungu, Meisheng Hugu Science and Technology Park, No. 83 Dabao Road, Bao'an District, Shenzhen.  
P.R.China. Telephone: +86-755-82911867, Fax : +86-755-82910749

<b>1</b>	<b>General Information</b>	<b>4</b>
1.1	Notes	4
1.2	Testing laboratory	5
1.3	Details of applicant	5
1.4	Details of manufacturer	5
1.5	Application details	6
1.6	Test item	6
1.7	Test standards	6
<b>2</b>	<b>Technical test</b>	<b>7</b>
2.1	Summary of test results	7
2.2	Test environment	7
2.3	Test equipment utilized	7
2.4	Special Accessories	7
2.5	Equipment Modifications	7
2.6	Product Description	8
2.7	Test results	14
<b>3</b>	<b>TPC AND DFS MEASUREMENT</b>	<b>15</b>
3.1	TPC: Standard Applicable	15
3.2	DFS: Standard Applicable	15

<b>Revision</b>	<b>Release Date</b>	<b>History/Memo.</b>
1.0	January 26, 2021	First edition
2.0	February 23, 2021	This report EFGX20120005-IE-01-E02 Replaces the Previous report EFGX20120005-IE-01-E01 for updating the Product Description on the page 8~13 without other modifications,so the original test data is still valid and no need to retest any items.
3.0	March 16, 2021	This report EFGX20120005-IE-01-E03 Replaces the Previous report EFGX20120005-IE-01-E02 for updating the antenna gain, Product Description on the page 8~13 without other modifications,so the original test data is still valid and no need to retest any items.

## 1 General Information

### 1.1 Notes

The results of this test report relate exclusively to the item tested as specified in chapter “Description of test item” and are not transferable to any other test items.

Eurofins Electrical Testing Service (Shenzhen) Co., Ltd. is not responsible for any generalisations and conclusions drawn from this report. Any modification of the test item can lead to invalidity of test results and this test report may therefore be not applicable to the modified test item.

The test report may only be reproduced or published in full. Reproducing or publishing extracts of the report requires the prior written approval of the Eurofins Electrical Testing Service (Shenzhen) Co., Ltd.

This document is subject to the General Terms and Conditions and the Testing and Certification System of Eurofins Electrical Testing Service (Shenzhen) Co., Ltd., available on request or accessible at [www.eurofins.com](http://www.eurofins.com).

#### Operator:

2021-03-16

Bruce Zheng / Project Engineer



Date

Eurofins-Lab.

Name / Title

Signature

#### Technical responsibility for area of testing:

2021-03-16

Tom Tian / Supervisor

Date

Eurofins

Name / Title

Signature

## 1.2 Testing laboratory

Eurofins Electrical Testing Service (Shenzhen) Co., Ltd.

1st Floor, Building 2, Chungu, Meisheng Huigu Science and Technology Park, No. 83 Dabao Road, Bao'an District, Shenzhen. P.R.China.

Telephone : +86-755-82911867

Fax : +86-755-82910749

The Laboratory has passed the Accreditation by the American Association for Laboratory Accreditation (A2LA). The Accreditation number is 5376.01

The Laboratory has been listed by industry Canada to perform electromagnetic emission measurements, The CAB identifier is CN0088

## 1.3 Details of applicant

Name : Vestel Elektronik San Tic.A.S.  
Address : Organize Sanayi Bölgesi Vestel City, High-End 45030 Manisa, Turkey  
Telephone : +90 2362130350  
Fax : +90 2362130548

## 1.4 Details of manufacturer

Name : Vestel Elektronik San Tic.A.S.  
Address : Organize Sanayi Bölgesi Vestel City, High-End 45030 Manisa, Turkey  
Telephone : +90 2362130350  
Fax : +90 2362130548

## 1.5 Application details

Date of receipt of application : December 01, 2020  
 Date of receipt of test item : December 01, 2020  
 Date of test : December 02, 2020 – January 07, 2021  
 Date of issue : February 23, 2021

## 1.6 Test item

Product type : Wi-Fi module  
 Model name : 17WFM21  
 Brand : Vestel  
 Serial number : N/A  
 Ratings : 4.75 - 5.25V d.c  
 FCC ID : 2AVQS-17WFM21  
 IC : 25888-17WFM21  
 Additional information : N/A

### Radio Technical data

Frequency range : 802.11 a/n: 5150 – 5350 and 5470 - 5725  
 Radio Tech. : WLAN 5G  
 Modulation : OFDM  
 Antenna type : Printed PIFA antenna  
 Antenna gain : 5150 – 5350MHz, Ant 0=3.0dB Ant 1=3.7dBi  
 5470 – 5725MHz, Ant 0=3.0dB Ant 1=3.7dBi  
 Directional Gain, 5150 – 5350 MHz = 6.4 dBi  
 5470 – 5725 MHz = 6.7dBi

## 1.7 Test standards

Test Standards	
FCC Part 15 Subpart E January 12, 2021	PART 15 - RADIO FREQUENCY DEVICES Subpart E §15.407
RSS-247 Issue 2 February 2017	RSS-247 — Digital Transmission Systems (DTSs), Frequency Hopping Systems (FHSs) and Licence-Exempt Local Area Network (LE-LAN) Devices

### Test Method

FCC Part 15, Subpart E §15.407  
 FCC KDB 905462 D02 UNII DFS Compliance Procedures New Rules v02  
 FCC KDB 905462 D03 UNII Clients Without Radar Detection New Rules v01r02  
 RSS-247 issue 2 Feb. 2017  
 All test items have been performed and record as per the above standards.

## 2 Technical test

### 2.1 Summary of test results

No deviations from the technical specification(s) were ascertained in the course of the tests performed.

or

The deviations as specified were ascertained in the course of the tests performed.

### 2.2 Test environment

Environment Parameter	Temperature	Relative Humidity
101.5Kpa	24.7	59.6%

### 2.3 Test equipment utilized

EQUIPMENT ID	EQUIPMENT NAME	MODEL NO.	CAL. DUE DATE
23-2-13-12	Signal Analyzer	N9010B-544	2021-04-24
23-2-13-14	Signal Generator	N5183B-520	2021-04-23
23-2-13-15	Vector Signal Generator	N5182B-506	2021-04-23
23-2-10-43	Switch and Control Unit	ERIT-E-JS0806-2	2021-06-17

### 2.4 Special Accessories

There are no special accessories used while test was conducted.

### 2.5 Equipment Modifications

There was no modification incorporated into the EUT.

### 2.6 Auxiliary equipment

Equipment Description: Wireless - AX6000 Dual band Gigabit Router

Model: RT- AX88U

IC:3568A – RTAXHP00

## 2.7 Product Description

FCC 5G WLAN

Results of Tx Mode: Pass (TX Unit) (802.11a)				
Maximum conducted output power				
Antenna 1				
Ch.	Frequency (MHz)	Output Power (mW)	Output Power (dBm)	Limit (dBm)
36	5180	11.14	10.47	24.0
40	5200	11.27	10.52	24.0
48	5240	10.07	10.03	24.0
52	5260	9.91	9.96	24.0
56	5280	11.04	10.43	24.0
64	5320	10.45	10.19	24.0
100	5500	10.52	10.22	24.0
120	5600	10.91	10.38	24.0
140	5700	9.95	9.98	24.0

Antenna 2				
Ch.	Frequency (MHz)	Output Power (mW)	Output Power (dBm)	Limit (dBm)
36	5180	10.09	10.04	24.0
40	5200	11.32	10.54	24.0
48	5240	10.47	10.20	24.0
52	5260	11.32	10.54	24.0
56	5280	12.36	10.92	24.0
64	5320	12.74	11.05	24.0
100	5500	9.51	9.78	24.0
120	5600	10.38	10.16	24.0
140	5700	11.17	10.48	24.0



Results of Tx Mode: Pass (TX Unit) (802.11n HT20)				
Maximum conducted output power				
Antenna 1				
Ch.	Frequency (MHz)	Output Power (mW)	Output Power (dBm)	Limit (dBm)
36	5180	10.84	10.35	24.0
40	5200	10.54	10.23	24.0
48	5240	10.26	10.11	24.0
52	5260	11.27	10.52	24.0
56	5280	11.07	10.44	24.0
64	5320	10.81	10.34	24.0
100	5500	10.42	10.18	24.0
120	5600	11.19	10.49	24.0
140	5700	10.05	10.02	24.0

Antenna 2				
Ch.	Frequency (MHz)	Output Power (mW)	Output Power (dBm)	Limit (dBm)
36	5180	9.71	9.87	24.0
40	5200	10.76	10.32	24.0
48	5240	10.28	10.12	24.0
52	5260	10.94	10.39	24.0
56	5280	12.33	10.91	24.0
64	5320	11.22	10.50	24.0
100	5500	8.63	9.36	24.0
120	5600	10.47	10.20	24.0
140	5700	10.64	10.27	24.0

Results of Tx Mode: Pass (TX Unit) (802.11n HT20 - MIMO)						
Maximum conducted output power						
Ch.	Frequency (MHz)	Antenna 1 Output Power (mW)	Antenna 2 Output Power (mW)	Total Output Power (mW)	Total Output Power (dBm)	Limit (dBm)
36	5180	10.84	9.71	20.55	13.13	23.6
40	5200	10.54	10.76	21.30	13.28	23.6
48	5240	10.26	10.28	20.54	13.13	23.6
52	5260	11.27	10.94	22.21	13.47	23.6
56	5280	11.07	12.33	23.40	13.69	23.6
64	5320	10.81	11.22	22.03	13.43	23.6
100	5500	10.42	8.63	19.05	12.80	23.3
120	5600	11.19	10.47	21.66	13.36	23.3
140	5700	10.05	10.64	20.69	13.16	23.3

Directional Gain calculation refer to KDB 662911 D01

EUT antenna gain:

5150 – 5350 MHz, Ant 0 = 3.0 dBi, Ant 1 = 3.7 dBi

5470 – 5725 MHz, Ant 0 = 3.7 dBi, Ant 1 = 3.7 dBi

Directional Gain , 5150 – 5350 MHz = 6.4 dBi, 5470 – 5725 MHz = 6.7 dBi

Directional Gain ≥ 6.0dB, limit adjusted

Results of Tx Mode: Pass (TX Unit) (802.11n HT40)				
Maximum conducted output power				
Antenna 1				
Ch.	Frequency (MHz)	Output Power (mW)	Output Power (dBm)	Limit (dBm)
38	5190	10.79	10.33	24.0
46	5230	10.74	10.31	24.0
54	5270	9.79	9.91	24.0
62	5310	10.69	10.29	24.0
102	5510	10.30	10.13	24.0
118	5590	9.86	9.94	24.0
134	5670	10.94	10.39	24.0

Antenna 2				
Ch.	Frequency (MHz)	Output Power (mW)	Output Power (dBm)	Limit (dBm)
38	5190	10.07	10.03	24.0
46	5230	9.82	9.92	24.0
54	5270	10.96	10.40	24.0
62	5310	10.94	10.39	24.0
102	5510	11.51	10.61	24.0
118	5590	10.02	10.01	24.0
134	5670	11.04	10.43	24.0

Results of Tx Mode: Pass (TX Unit) (802.11n HT40 - MIMO)						
Maximum conducted output power						
Ch.	Frequency (MHz)	Antenna 1 Output Power (mW)	Antenna 2 Output Power (mW)	Total Output Power (mW)	Total Output Power (dBm)	Limit (dBm)
38	5190	10.79	10.07	20.86	13.19	23.6
46	5230	10.74	9.82	20.56	13.13	23.6
54	5270	9.79	10.96	20.75	13.17	23.6
62	5310	10.69	10.94	21.63	13.35	23.6
102	5510	10.30	11.51	21.81	13.39	23.3
118	5590	9.86	10.02	19.88	12.98	23.3
134	5670	10.94	11.04	21.98	13.42	23.3

Directional Gain calculation refer to KDB 662911 D01

EUT antenna gain:

5150 – 5350 MHz, Ant 0 = 3.0 dBi, Ant 1= 3.7 dBi

5470 – 5725 MHz, Ant 0 = 3.7 dBi, Ant 1 = 3.7 dBi

Directional Gain , 5150 – 5350 MHz = 6.4 dBi, 5470 – 5725 MHz = 6.7 dBi

Directional Gain ≥ 6.0dB, limit adjusted

**IC 5G WLAN**

<b>Results of Tx Mode: Pass (TX Unit) (802.11a)</b>						
<b>Maximum conducted output power and e.i.r.p.</b>						
<b>Antenna 0</b>						
<b>Ch.</b>	<b>Frequency (MHz)</b>	<b>Output Power (mW)</b>	<b>Output Power (dBm)</b>	<b>e.i.r.p. (dBm)</b>	<b>Output Power Limit (dBm)</b>	<b>e.i.r.p. Limit (dBm)</b>
36	5180	11.14	10.47	13.5	--	22.2
40	5200	11.27	10.52	13.5	--	22.3
48	5240	10.07	10.03	13.0	--	22.2
52	5260	9.91	9.96	13.0	23.2	29.2
56	5280	11.04	10.43	13.4	23.2	29.2
64	5320	10.45	10.19	13.2	23.2	29.2
100	5500	10.52	10.22	13.9	23.2	29.2
116	5580	8.65	9.37	13.1	23.2	29.2
136	5680	9.02	9.55	13.3	23.2	29.2
140	5700	9.95	9.98	13.7	23.3	29.3

<b>Antenna 1</b>						
<b>Ch.</b>	<b>Frequency (MHz)</b>	<b>Output Power (mW)</b>	<b>Output Power (dBm)</b>	<b>e.i.r.p. (dBm)</b>	<b>Output Power Limit (dBm)</b>	<b>e.i.r.p. Limit (dBm)</b>
36	5180	10.09	10.04	13.7	--	22.2
40	5200	11.32	10.54	14.2	--	22.3
48	5240	10.47	10.20	13.9	--	22.2
52	5260	11.32	10.54	14.2	23.2	29.2
56	5280	12.36	10.92	14.6	23.2	29.2
64	5320	12.74	11.05	14.8	23.2	29.2
100	5500	9.51	9.78	13.5	23.2	29.2
116	5580	8.69	9.39	13.1	23.2	29.2
136	5680	10.67	10.28	14.0	23.2	29.2
140	5700	11.17	10.48	14.2	23.3	29.3

**e.i.r.p. = Output Power + Antenna Gain**

**EUT antenna gain:**

**5150 – 5350 MHz, Ant 0 = 3.0 dBi, Ant 1 = 3.7 dBi**

**5470 – 5725 MHz, Ant 0 = 3.7 dBi, Ant 1 = 3.7 dBi**

**Results of Tx Mode: Pass (TX Unit) (802.11n HT20)**  
**Maximum conducted output power and e.i.r.p.**

Antenna 0						
Ch.	Frequency (MHz)	Output Power (mW)	Output Power (dBm)	e.i.r.p. (dBm)	Output Power Limit (dBm)	e.i.r.p. Limit (dBm)
36	5180	10.84	10.35	13.4	--	22.5
40	5200	10.54	10.23	13.2	--	22.5
48	5240	10.26	10.11	13.1	--	22.5
52	5260	11.27	10.52	13.5	23.5	29.5
56	5280	11.07	10.44	13.4	23.5	29.5
64	5320	10.81	10.34	13.3	23.5	29.5
100	5500	10.42	10.18	13.9	23.5	29.5
116	5580	8.43	9.26	13.0	23.5	29.5
136	5680	9.55	9.80	13.5	23.5	29.5
140	5700	10.05	10.02	13.7	23.5	29.5

Antenna 1						
Ch.	Frequency (MHz)	Output Power (mW)	Output Power (dBm)	e.i.r.p. (dBm)	Output Power Limit (dBm)	e.i.r.p. Limit (dBm)
36	5180	9.71	9.87	13.6	--	22.5
40	5200	10.76	10.32	14.0	--	22.5
48	5240	10.28	10.12	13.8	--	22.5
52	5260	10.94	10.39	14.1	23.5	29.5
56	5280	12.33	10.91	14.6	23.5	29.5
64	5320	11.22	10.50	14.2	23.5	29.5
100	5500	8.63	9.36	13.1	23.5	29.5
116	5580	9.08	9.58	13.3	23.5	29.5
136	5680	10.74	10.31	14.0	23.5	29.5
140	5700	10.64	10.27	14.0	23.5	29.5

**Results of Tx Mode: Pass (TX Unit) (802.11n HT20 - MIMO)**  
**Maximum conducted output power and e.i.r.p.**

Ch.	Frequency (MHz)	Antenna 1 Output Power (mW)	Antenna 2 Output Power (mW)	Total Output Power (mW)	Total Output Power (dBm)	Total e.i.r.p. (dBm)	Output Power Limit (dBm)	e.i.r.p. Limit (dBm)
36	5180	10.84	9.71	20.55	13.13	19.5	--	22.5
40	5200	10.54	10.76	21.30	13.28	19.7	--	22.5
48	5240	10.26	10.28	20.54	13.13	19.5	--	22.5
52	5260	11.27	10.94	22.21	13.47	19.9	23.5	29.5
56	5280	11.07	12.33	23.40	13.69	20.1	23.5	29.5
64	5320	10.81	11.22	22.03	13.43	19.8	23.5	29.5
100	5500	10.42	8.63	19.05	12.80	19.5	23.5	29.5
116	5580	8.43	9.08	17.51	12.43	19.1	23.5	29.5
136	5680	9.55	10.74	20.29	13.07	19.8	23.5	29.5
140	5700	10.05	10.64	20.69	13.16	19.9	23.5	29.5

Directional Gain calculation refer to KDB 662911 D01  
 Total e.i.r.p. = Total Output Power + Directional Gain.  
 EUT antenna gain:  
 5150 - 5350 MHz, Ant 0 = 3.0 dBi, Ant 1 = 3.7 dBi  
 5470 - 5725 MHz, Ant 0 = 3.7 dBi, Ant 1 = 3.7 dBi  
 Directional Gain, 5150 - 5350 MHz = 6.4 dBi, 5470 - 5725 MHz = 6.7 dBi

Results of Tx Mode: Pass (TX Unit) (802.11n HT40)						
Maximum conducted output power and e.i.r.p.						
Antenna 0						
Ch.	Frequency (MHz)	Output Power (mW)	Output Power (dBm)	e.i.r.p. (dBm)	Output Power Limit (dBm)	e.i.r.p. Limit (dBm)
38	5190	10.79	10.33	14.0	--	23.0
46	5230	10.74	10.31	14.0	--	23.0
54	5270	9.79	9.91	13.6	24.0	30.0
62	5310	10.69	10.29	14.0	24.0	30.0
102	5510	10.30	10.13	13.8	24.0	30.0
110	5550	9.02	9.55	13.3	24.0	30.0
134	5670	10.94	10.39	14.1	24.0	30.0

Antenna 1						
Ch.	Frequency (MHz)	Output Power (mW)	Output Power (dBm)	e.i.r.p. (dBm)	Output Power Limit (dBm)	e.i.r.p. Limit (dBm)
38	5190	10.07	10.03	13.7	--	23.0
46	5230	9.82	9.92	13.6	--	23.0
54	5270	10.96	10.40	14.1	24.0	30.0
62	5310	10.94	10.39	14.1	24.0	30.0
102	5510	11.51	10.61	14.3	24.0	30.0
110	5550	8.99	9.54	13.2	24.0	30.0
134	5670	11.04	10.43	14.1	24.0	30.0

Results of Tx Mode: Pass (TX Unit) (802.11n HT40 - MIMO)								
Maximum conducted output power and e.i.r.p.								
Ch.	Frequency (MHz)	Antenna 1 Output Power (mW)	Antenna 2 Output Power (mW)	Total Output Power (mW)	Total Output Power (dBm)	Total e.i.r.p. (dBm)	Output Power Limit (dBm)	e.i.r.p. Limit (dBm)
38	5190	10.79	10.07	20.86	13.19	19.9	--	23.0
46	5230	10.74	9.82	20.56	13.13	19.8	--	23.0
54	5270	9.79	10.96	20.75	13.17	19.9	24.0	30.0
62	5310	10.69	10.94	21.63	13.35	20.1	24.0	30.0
102	5510	10.30	11.51	21.81	13.39	20.1	24.0	30.0
110	5550	9.02	8.99	18.01	12.56	19.3	24.0	30.0
134	5670	10.94	11.04	21.98	13.42	20.1	24.0	30.0

Directional Gain calculation refer to KDB 662911 D01

Total e.i.r.p. = Total Output Power + Directional Gain.

EUT antenna gain:

5150 - 5350 MHz, Ant 0 = 3.0 dBi, Ant 1 = 3.7 dBi

5470 - 5725 MHz, Ant 0 = 3.7 dBi, Ant 1 = 3.7 dBi

Directional Gain , 5150 - 5350 MHz = 6.4 dBi, 5470 - 5725 MHz = 6.7 dBi

NOTE: These parameters are derived from the STC report (Report No.: HM20020025 and HM20020026).

## 2.8 Test results

 1<sup>st</sup> test

 test after modification

 production test

Technical Requirements					
FCC Part 15 Subpart E/ RSS-247 Issue 2					
Test Condition			Test Result	Verdict	Test Site
§15.407(h)	RSS-247 Issue 2	TPC and DFS Measurement	See page 10	PASS	Site 1

Note : Since the product is client without radar detection function, only Channel Move Time, Channel Closing Transmission Time and Non-Occupancy Period Test are required to be performed.

## 3 TPC AND DFS MEASUREMENT

### 3.1 TPC: Standard Applicable

According to §15.407(h)(1), Transmit power control (TPC). U-NII devices operating in the 5.25-5.35GHz band and the 5.47-5.725 GHz band shall employ a TPC mechanism. The U-NII device is required to have the capability to operate at least 6 dB below the mean EIRP value of 30 dBm. A TPC mechanism is not required for systems with an e.i.r.p. of less than 500 mW.

Result: N/A, The output power is less than Mw

### 3.2 DFS: Standard Applicable

According to §15.407(h)(2) and FCC KDB 905462 D02 , Radar Detection Function of Dynamic Frequency Selection (DFS).

Radar Detection Function of Dynamic Frequency Selection (DFS). U-NII devices operating with any part of its 26 dB emission bandwidth in the 5.25-5.35 GHz and 5.47-5.725 GHz bands shall employ a DFS radar detection mechanism to detect the presence of radar systems and to avoid co-channel operation with radar systems. Operators shall only use equipment with a DFS mechanism that is turned on when operating in these bands. The device must sense for radar signals at 100 percent of its emission bandwidth. The minimum DFS detection threshold for devices with a maximum e.i.r.p. of 200 mW to 1 W is -64 dBm. For devices that operate with less than 200 mW e.i.r.p. and a power spectral density of less than 10 dBm in a 1 MHz band, the minimum detection threshold is -62 dBm. The detection threshold is the received power averaged over 1 microsecond referenced to a 0 dBi antenna. For the initial channel setting, the manufacturers shall be permitted to provide for either random channel selection or manual channel selection.

- (i) Operational Modes. The DFS requirement applies to the following operational modes:
  - (A) The requirement for channel availability check time applies in the master operational mode.
  - (B) The requirement for channel move time applies in both the master and slave operational modes.
- (ii) Channel Availability Check Time. A U-NII device shall check if there is a radar system already operating on the channel before it can initiate a transmission on a channel and when it has to move to a new channel. The U-NII device may start using the channel if no radar signal with a power level greater than the interference threshold values listed in paragraph (h)(2) of this section, is detected within 60 seconds.
- (iii) Channel Move Time. After a radar's presence is detected, all transmissions shall cease on the operating channel within 10 seconds. Transmissions during this period shall consist of normal traffic for a maximum of 200 ms after detection of the radar signal. In addition, intermittent management and control signals can be sent during the remaining to facilitate vacating the operating channel.
- (iv) Non-occupancy Period. A channel that has been flagged as containing a radar system, either by a channel availability check or in-service monitoring, is subject to a non-occupancy period of at least 30 minutes. The non-occupancy period starts at the time when the radar system is detected.

According to RSS 247 § 6.3), Note: For the band 5600-5650 MHz, no operation is permitted. Until further notice, devices subject to this annex shall not be capable of transmitting in the band 5600-5650 MHz. This restriction is for the protection of Environment Canada weather radars operating in this band. Devices operating in the bands 5250-5350 MHz, 5470-5600MHz and 5650-5725 MHz band shall comply with the following:

- (a) Devices shall employ a DFS radar detection mechanism to detect the presence of radar systems and to avoid co-channel operation with radar systems (see Note below).  
The minimum DFS radar signal detection threshold is -62 dBm for devices with a maximum e.i.r.p. less than 200 mW, and -64 dBm for devices with a maximum e.i.r.p. of 200mW to 1 W. The detection threshold power is the received power, averaged over a 1-microsecond reference to a 0 dBi antenna. The DFS process shall provide a uniform spreading of the loading over all the available channels.

Note: Test procedures for demonstrating compliance with the DFS radar detection requirements set out in this section are being evaluated by Industry Canada. As an interim measure, the Department will, until further notice, accept utilization of the DFS test procedures published by the U.S. Federal Communications Commission (FCC)3 to demonstrate compliance with the requirements of this section.

- (b) Operational requirements: the requirement for channel availability check time applies in the master operational mode. The requirement for channel move time applies in both the master and slave operational modes.
  - (i) In-service monitoring: an LE-LAN device should be able to monitor the operating channel to check that a co-channel radar has not moved or started operation within range of the LE-LAN device. During in-service monitoring, the LE-LAN radar detection function continuously searches for radar signals between normal LE-LAN transmissions.
  - (ii) Channel availability check time: the device shall check if there is a radar system already operating on the channel before it initiates a transmission on a channel and when it moves to a channel. The device may start using the channel if no radar signal with a power level greater than the interference threshold value specified in A9.3 (a) above is detected within 60 seconds.
  - (iii) Channel move time: after a radar's signal is detected, the device shall cease all transmissions on the operating channel within 10 seconds. Transmission during this period shall consist of normal traffic for a maximum of 200 ms after detection of the radar signal. Intermittent management and control signals may also be sent during the remaining time to facilitate vacating the operating channel.
  - (iv) Channel closing time: the maximum channel closing time is 260 ms.
  - (v) Non-occupancy period: a channel that has been flagged as containing a radar signal, either by a channel availability check or in-service monitoring, is subject to a 30-minute non-occupancy period where the channel cannot be used by the LE-LAN device. The non-occupancy period starts from the time that the radar signal is detected.



**Limit:**

Table 1: Applicability of DFS requirements prior to use of a channel

Requirement	Operational Mode		
	Master	Client(without radar detection)	Client(with radar detection)
Non-occupancy Period	Yes	Not required	Yes
DFS Detection Threshold	Yes	Not required	Yes
Channel Availability Check Time	Yes	Not required	Not required
U-NII Detection Bandwidth	Yes	Not required	Yes

Table 2: Applicability of DFS requirements during normal operation

Requirement	Operational Mode	
	Master Device or Client with Radar Detection	Client Without Radar Detection
DFS Detection Threshold	Yes	Not required
Channel Closing Transmission time	Yes	Yes
Channel Move time	Yes	Yes
U-NII Detection Bandwidth	Yes	Not required

Additional requirements for devices with multiple bandwidth mode	Master Device or Client with Radar Detection	Client Without Radar Detection
U-NII Detection Bandwidth and Statistical Performance Check	All BW modes must be tested	Not required
Channel Move Time and Channel Closing Transmission Time	Test using widest BW mode available	Test using the widest BW mode available for the link
All other tests	Any single BW mode	Not required
<b>Note:</b> Frequencies selected for statistical performance check (Section 7.8.4) should include several frequencies within the radar detection bandwidth and frequencies near the edge of the radar detection bandwidth. For 802.11 devices it is suggested to select frequencies in each of the bonded 20 MHz channels and the channel center frequency.		

Table 3: Interference Threshold values, Master or Client incorporating In-Service Monitoring

Maximum Transmit Power	Value (See Notes 1, 2, and 3)
EIRP $\geq$ 200 milliwatt	-64 dBm
EIRP < 200 milliwatt and power spectral density < 10 dBm/MHz	-62 dBm
EIRP < 200 milliwatt that do not meet the power spectral density requirement	-64 dBm
Note 1: This is the level at the input of the receiver assuming a 0 dBi receive antenna. Note 2: Throughout these test procedures an additional 1 dB has been added to the amplitude of the test transmission waveforms to account for variations in measurement equipment. This will ensure that the test signal is at or above the detection threshold level to trigger a DFS response. Note3: EIRP is based on the highest antenna gain. For MIMO devices refer to KDB Publication 662911 D01.	

Table 4: DFS Response requirement values

Parameter	Value
<i>Non-occupancy period</i>	Minimum 30 minutes
<i>Channel Availability Check Time</i>	60 seconds
<i>Channel Move Time</i>	10 seconds See Note 1.
<i>Channel Closing Transmission Time</i>	200 milliseconds + an aggregate of 60 milliseconds over remaining 10 second period. See Notes 1 and 2.
<i>U-NII Detection Bandwidth</i>	Minimum 100% of the U-NII 99% transmission power bandwidth. See Note 3.
<p><b>Note 1:</b> <i>Channel Move Time</i> and the <i>Channel Closing Transmission Time</i> should be performed with Radar Type 0. The measurement timing begins at the end of the Radar Type 0 burst</p> <p><b>Note 2:</b> The <i>Channel Closing Transmission Time</i> is comprised of 200 milliseconds starting at the beginning of the <i>Channel Move Time</i> plus any additional intermittent control signals required to facilitate a <i>Channel</i> move (an aggregate of 60 milliseconds) during the remainder of the 10 second period. The aggregate duration of control signals will not count quiet periods in between transmissions.</p> <p><b>Note 3:</b> During the <i>U-NII Detection Bandwidth</i> detection test, radar type 0 should be used. For each frequency step the minimum percentage of detection is 90 percent. Measurements are performed with no data traffic.</p>	

Table 5: Radar Test Waveforms

## Short Pulse Radar

Radar Type	Pulse Width (μsec)	PRI (μsec)	Number of Pulses	Minimum Percentage of Successful Detection	Minimum Number of Trials
0	1	1428	18	See Note 1	See Note 1
1	1	Test A: 15 unique PRI values randomly selected from the list of 23 PRI values in Table 5a	Roundup $\left\{ \begin{array}{l} \left( \frac{1}{360} \right) \cdot \\ \left( \frac{19 \cdot 10^6}{\text{PRI}_{\mu\text{sec}}} \right) \end{array} \right\}$	60%	30
		Test B: 15 unique PRI values randomly selected within the range of 518-3066 μsec, with a minimum increment of 1 μsec, excluding PRI values selected in Test A			
2	1-5	150-230	23-29	60%	30
3	6-10	200-500	16-18	60%	30
4	11-20	200-500	12-16	60%	30
Aggregate (Radar Types 1-4)				80%	120
Note 1: Short Pulse Radar Type 0 should be used for the detection bandwidth test, channel move time, and channel closing time tests.					

## Long Pulse Radar

Radar Type	Pulse Width (μsec)	Chirp Width (MHz)	PRI (μsec)	Number of Pulses per Burst	Number of Bursts	Minimum Percentage of Successful Detection	Minimum Number of Trials
5	50-100	5-20	1000-2000	1-3	8-20	80%	30

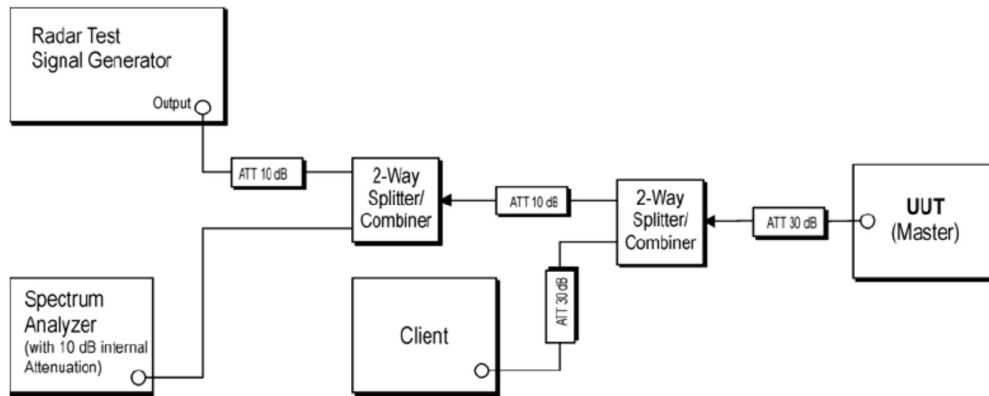
## Frequency Hopping Radar

Radar Type	Pulse Width (μsec)	PRI (μsec)	Pulses per Hop	Hopping Rate (kHz)	Hopping Sequence Length (msec)	Minimum Percentage of Successful Detection	Minimum Number of Trials
6	1	333	9	0.333	300	70%	30

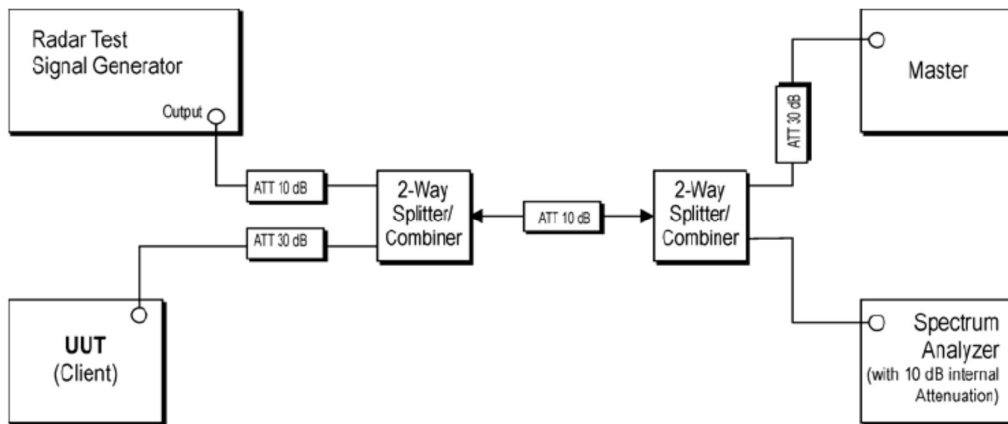
The applicant of this given application confirms that information regarding the parameters of the detected Radar Waveforms is not available to the end user.

## Test Setup

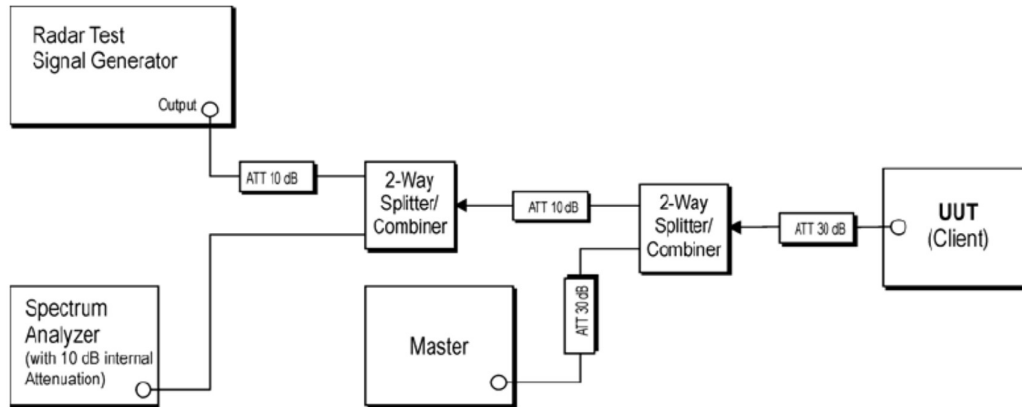
Setup for Master with injection at the Master



Setup for Client with injection at the Master



Setup for Client with injection at the Client



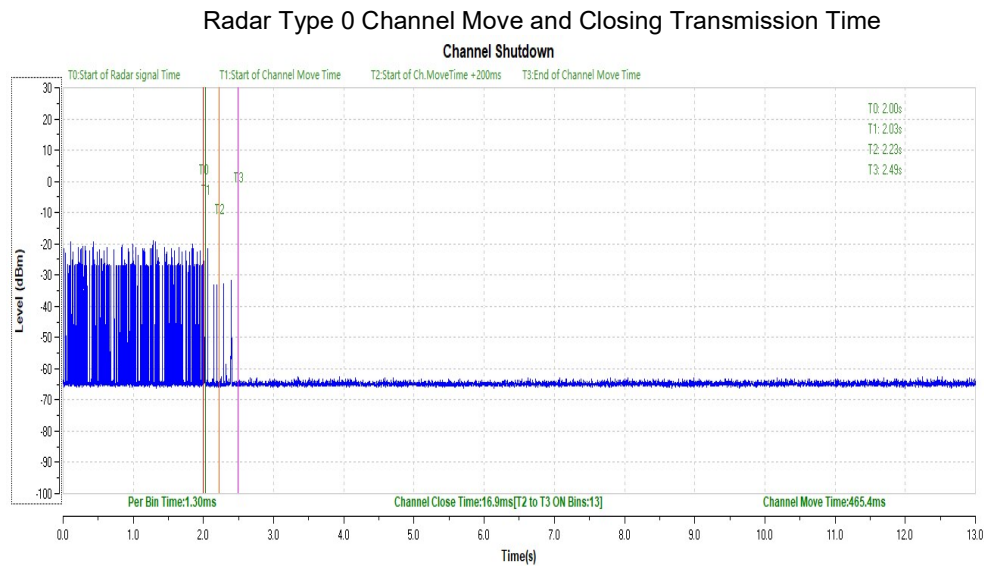
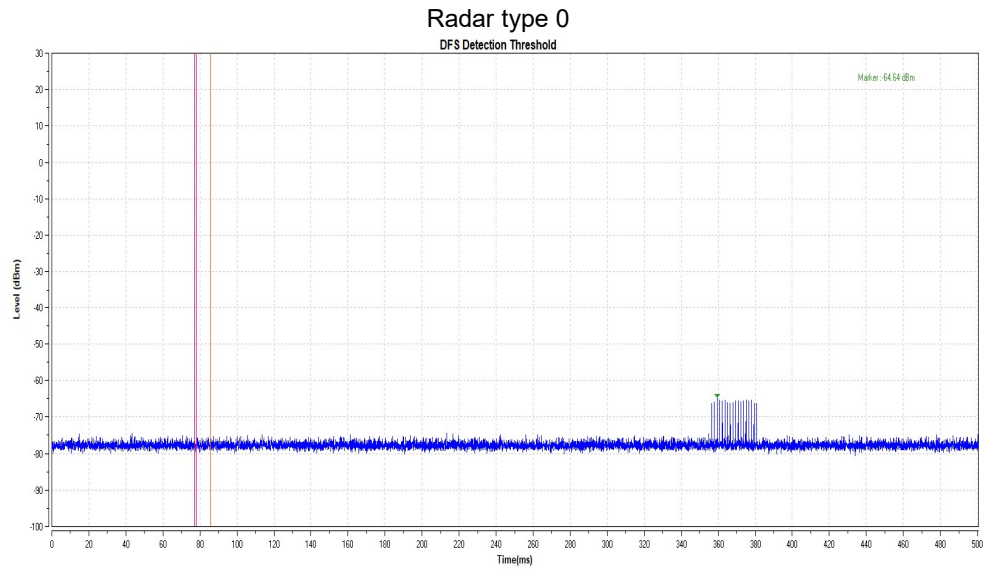
The rated output power of the master unit is >23dBm(EIRP).therefore the required interference threshold level is -64dBm.after correction for antenna gain and procedural adjustments, the required conducted threshold at the antenna port is -64dBm, and the master device as employed for the applicable DFS test is LINKSYS router.

While calibrate the path on antenna port of DFS test equipment (master), measurements equipments (spectrum) is ensured to be 50 Ohms, and therefore verification on antenna gain measurement can be ignored.

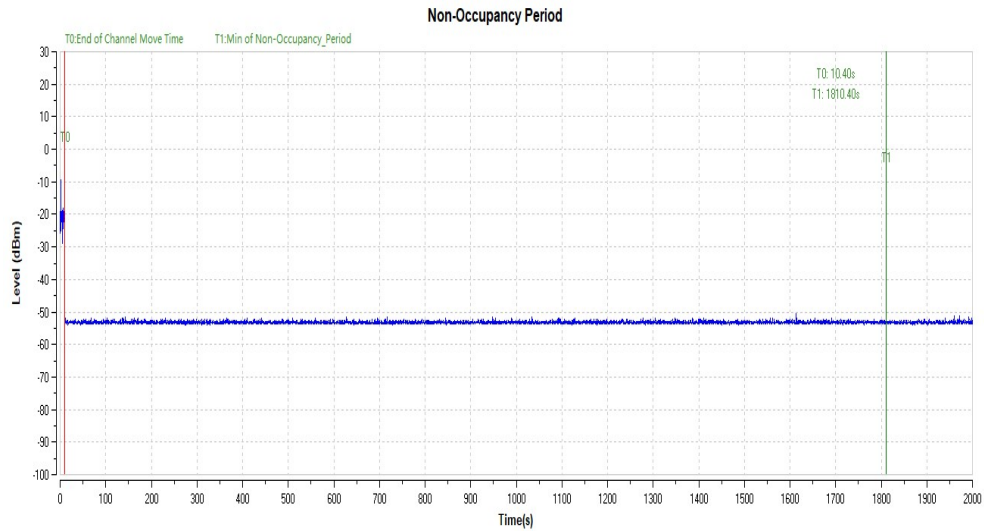
Conducted test was performed with appropriate adjustment, and calibration to ensure power from DFS simulator injects to antenna port of DFS test equipment (DFS) is -64dBm

## Test results

Calibration plots for each of the required radar waveforms



## Non-occupancy Period (without radar detection)



Verdict: To verify whether channel is unavailable to be operated in 30 minutes.

$1.8\text{ks} = 1800\text{s} = 1800 \text{ s/min} / 60 = 30\text{minute}$

**END**