

# ◀ Network & internet

## •Wi-Fi

Turn on or off Wi-Fi in **Wi-Fi**. When Wi-Fi is on, choose the Wi-Fi network that you want to connect to. S indicates an encrypted network, which requires a Wi-Fi password. When your phone is connected to a Wi-Fi network, the Wi-Fi signal strength will be displayed as ^ in the status bar. The more bars, the stronger the signal. If there is no available Wi-Fi network or if Wi-Fi is off, your phone will connect to the data network for internet access. Once your phone is connected to a Wi-Fi network, it will connect to the network automatically when in range.

To add a Wi-Fi network that is not on the list of available networks, tap + and enter the network SSID. To connect to a hidden network, you must know the network name, password, and security type.

## •SIM card & mobile network

From here, you can view the current SIM card status and adjust the SIM card settings according to your usage.

**Mobile data:** Turn on this option to use apps such as Browser and Mails over the data network. Carrier charges may apply. For details, consult your carrier

**Preferred SIM for:** If you are using two SIM cards, set the preferred SIM card for mobile data and calls. Your phone will automatically use the preferred SIM card.

**SIM card info and settings:** Choose a SIM card to view or set the SIM card information (such as the SIM card name), primary network type, and data usage of each app on the SIM card.

## •Hotspot & tethering

Share your Wi-Fi, Bluetooth, or USB network hotspot with other devices to allow them to access the internet via your Wi-Fi or data network.

To turn on a hotspot:

- Swipe down from the top of the screen to open Control center, and tap

Go to **Settings > Network & internet > Hotspot & tethering > Wi-Fi hotspot**, and turn on the switch.

Manually set the hotspot name, usage security, and single-use data limit as needed.

## •Data Saver

Data Saver prevents some apps from using data in the background and thereby helps reduce data usage. In **Unrestricted data**, turn on or off the switch for each app based on your data-saving needs.

## •Network management

This list includes all apps allowed to access the data network or Wi-Fi. You can enable or disable the internet permission for these apps as needed.

## •Airplane mode

You must turn on Airplane mode on your phone while flying in an airplane.

To turn on Airplane mode:

- Swipe down from the top of the screen to open the Shortcut Center, and tap

Go to **Settings**> **Network & internet**, and turn on **Airplane mode**.

## •VPN

Your company's VPN allows you to securely communicate private information over a non-dedicated network. For example, you can use the

VPN to access your business emails.

Tap **VPN** > enter the VPN information got from the administrator, configure the VPN file, and save the settings. You can then enter your username and password to use the VPN.

## •**Private DNS**

A private DNS can protect your privacy and security while connecting to a target URL

To turn on/off or change the private DNS settings, tap **Private DNS** and follow the onscreen instructions.

# < Installation and Preparation

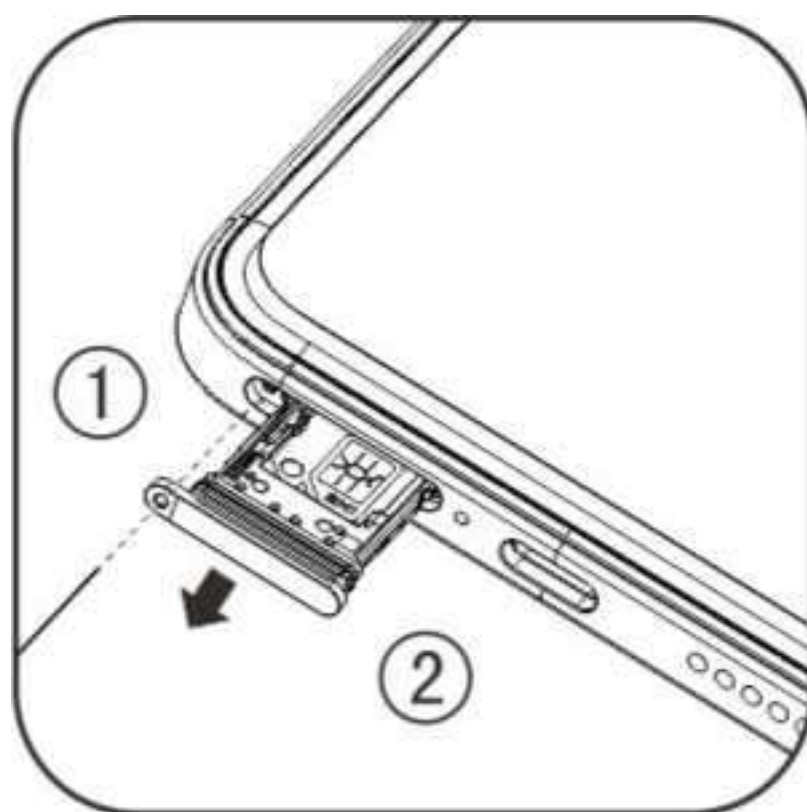
## Procedure for installing SIM

**A Note | You may have a single or dual SIM phone based on the needs of your region or carrier, but the differences between the two versions are not fully covered in the instructions. The pictures used in these instructions are for reference only and may differ from your phone.**

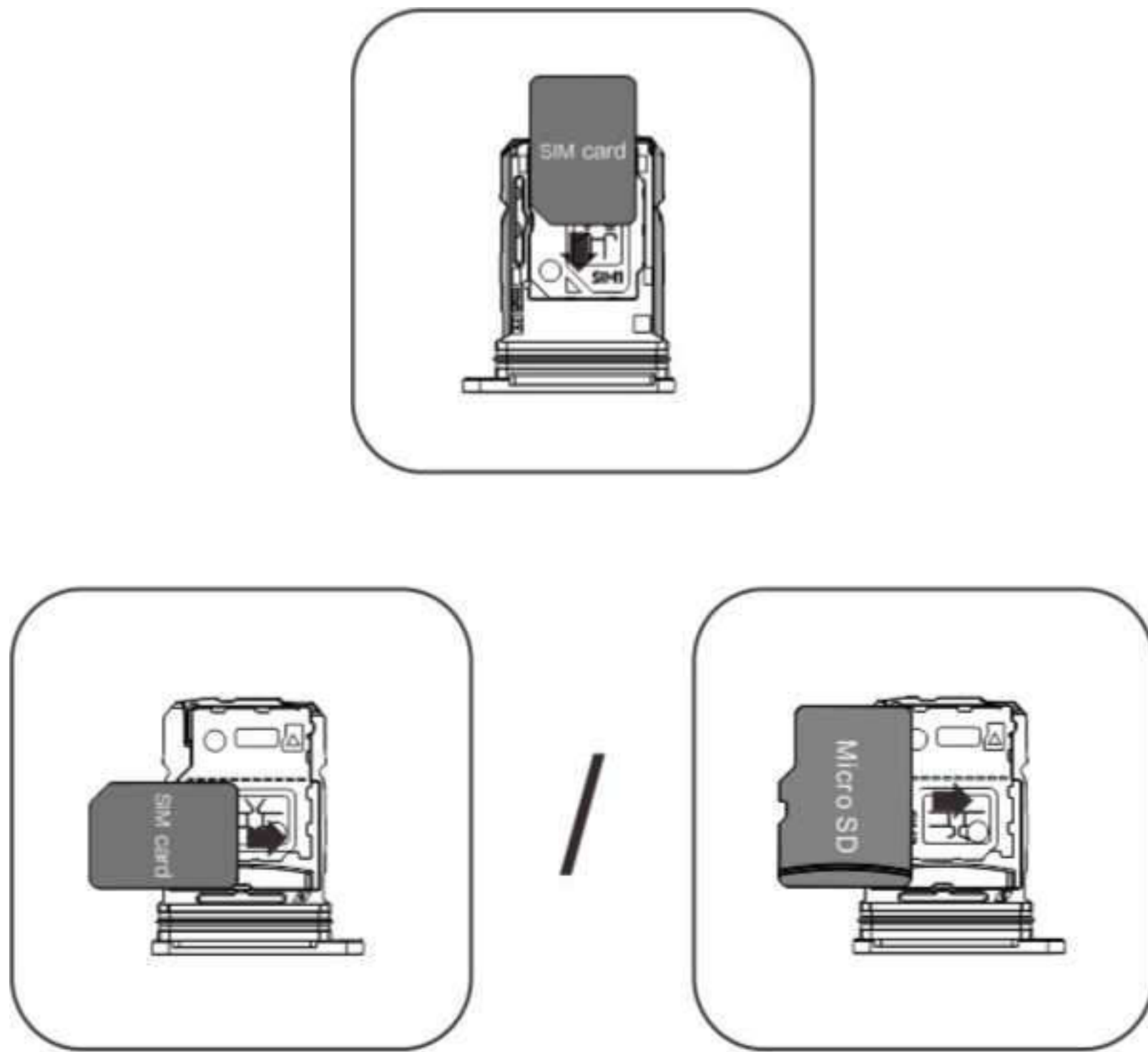
This phone supports hot swapping of Nano card (SIM1/SIM2). When the phone is on, it can automatically recognize a Nano card (SIM1/SIM2) when you plug the card in.

This phone supports Nano card (SIM1/SIM2).

1. Insert the ejector tool into the hole and press it until the card tray ejects, and then remove the card tray.

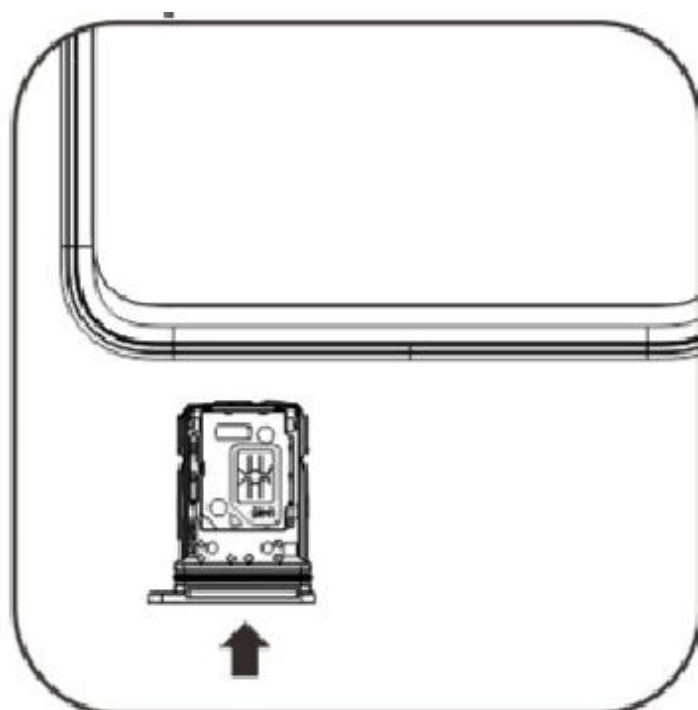


2. Follow the arrow direction shown in the diagram and fit the angled corner of your SIM card into the



angled corner of the tray.

3. With the touch screen facing up, follow the direction of the arrow to install the tray (with Nano card ) into the phone.



### **Note:**

1. The back cover is not removable, so as not to damage the machine.
2. Put SIM card into card tray, then mount card tray into the phone. It is forbidden to insert the SIM card into the phone directly.
3. You are advised not to cut your SIM card by yourself. If the Nano card (SIM1/SIM2) does not match, please go to the carrier to change to a standard Nano card.



4. This phone supports "Dual SIM Dual Standby Single Pass", which means that voice or data services cannot be used on both cards at the same time. When a call is established on one SIM card, the other one cannot make or receive calls. Callers to the other card may hear the message "The number you have dialed is not in service" or "The number you have dialed is temporarily unavailable. Try again later". When one SIM card is using a data connection, the other one cannot use data services. The above situation is due to the Dual SIM Dual Standby Single Pass feature on this phone, and not related to the carrier's network. This phone supports only Single Pass because it has adopted the single-chip design, which can significantly increase standby time and reduce power consumption. You are advised to consult your local carrier to enable services such as "Missed call reminder", "Incoming call reminder," and "Secretarial service" to receive reminders for missed calls.

## **Connect headphones**

Plug the headphone plug into the headphone jack on the phone, ensuring that the headphone plug is fully inserted.

## **Charge phone**

Insert one end of the data cable into the USB port on the phone and the other end into the charger or a compatible device. The phone will start to charge. After charging is complete, disconnect the phone from the charger or the compatible device and remove the charger from the socket.

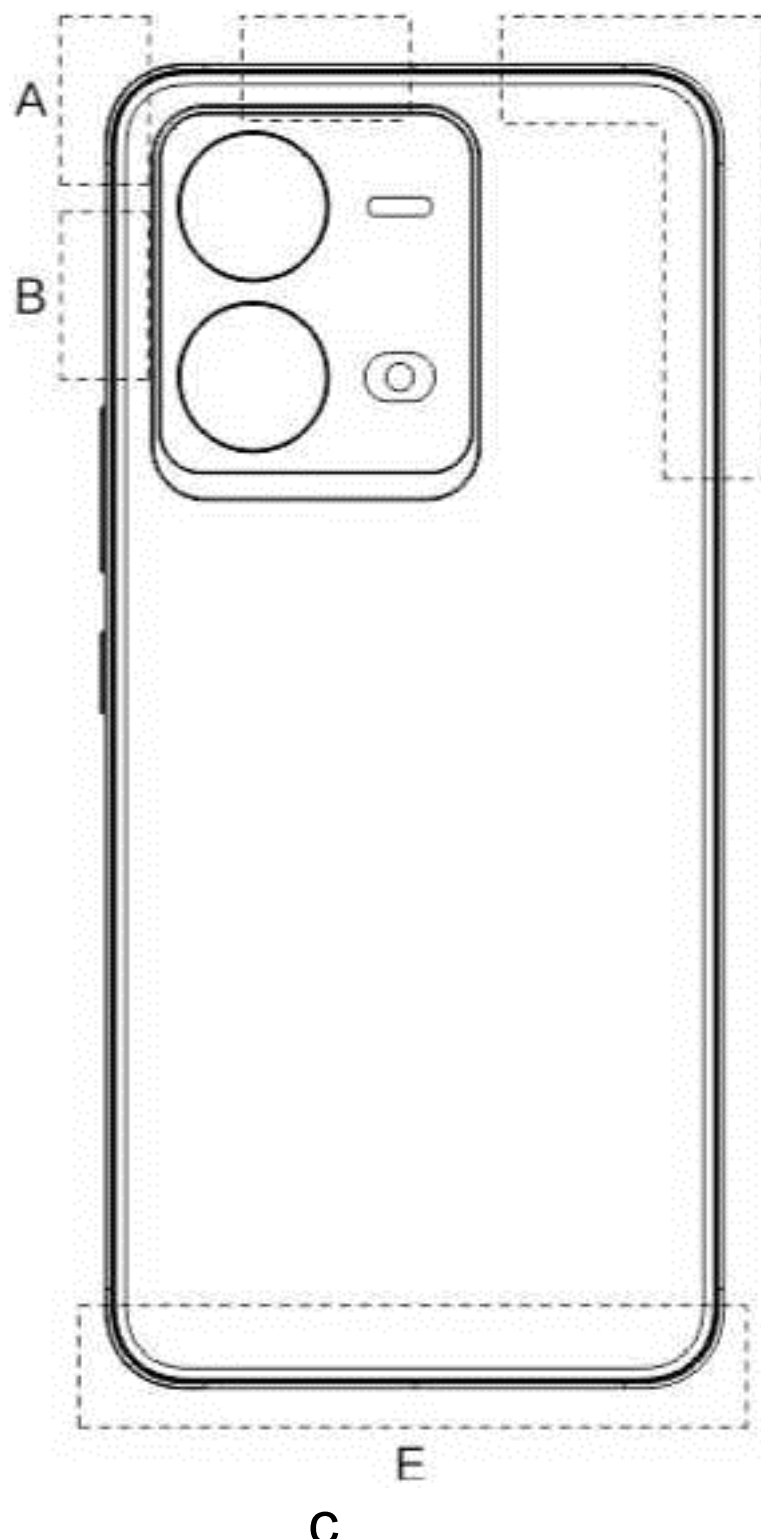
It is recommended to charge the device for at least 30 minutes before turning it on for the first time.

## △ Note

Please use the data cable and charger that came with your phone.

## Antenna

This phone is equipped with a built-in antenna. Please do not touch the antenna when it is transmitting or receiving signals. Touching the antenna may affect communication quality, cause the phone to operate using a power level higher than needed as well as shorten the battery life. The antenna is located inside the circle marked with dotted lines. Please do not cover this area when holding the phone, as shown in the picture below: A. GPS antenna/ Wi-Fi antenna; B/C/D/E. Communication antenna.



The pictures used in these instructions are for



reference only and may differ from your phone.  
Please refer to your phone.



**Quick Start Guide**

**Instrukcja obsługi**

**Guide de démarrage rapide**

**Kurzanleitung**

**Guía de inicio rápido**

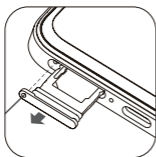
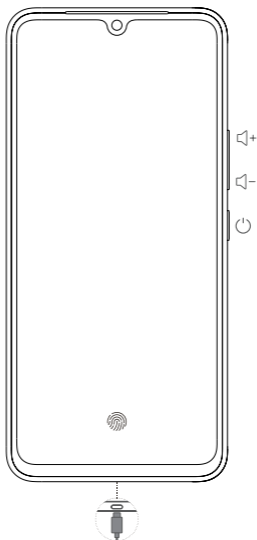
**Guida rapida**

**Návod k obsluze**

**Ghid rapid de utilizare**

**Guia de iniciação rápida**





**Tips:**

Insert/remove your SIM card using the provided eject tool. To avoid damaging the device, do NOT remove the back cover. This phone supports standard nano SIM / micro SD cards. If necessary, please go to your local operator shop for a standard nano SIM card.

**Wskazówki:**

Włóż/wyjmij kartę SIM za pomocą dołączonego wypychacza karty SIM. Aby uniknąć uszkodzenia urządzenia, NIE należy zdejmować tylnej pokrywy. Ten telefon obsługuje standardowe karty nano SIM / micro SD. W razie potrzeby należy udać się do lokalnego punktu operatora komórkowego w celu uzyskania standardowej karty nano SIM.

**Astuces :**

Insérez/retirez votre carte SIM à l'aide de l'outil d'éjection de la carte SIM. Pour éviter d'endommager l'appareil, ne retirez PAS la protection arrière. Ce téléphone prend en charge les cartes nano-SIM/micro-SD standard. Si nécessaire, veuillez vous rendre dans l'une des boutiques de votre opérateur réseau pour obtenir une carte nano-SIM standard.

**Tipps:**

Verwenden Sie das mitgelieferte Werkzeug für das Auswerfen der SIM-Karte, um die SIM-Karte einzusetzen bzw. zu entfernen. Um Beschädigungen des Geräts zu vermeiden, entfernen Sie NICHT die hintere Abdeckung. Dieses Telefon unterstützt Standard-Nano-SIM-/Micro-SD-Karten. Wenn nötig, wenden Sie sich bitte an Ihren Mobilfunkanbieter, um eine Standard-Nano-SIM-Karte zu erhalten.

**Consejos:**

Inserta o extrae la tarjeta SIM con la herramienta de extracción proporcionada. NO retires la carcasa trasera para evitar dañar el dispositivo. Este teléfono admite tarjetas nano SIM y micro SD convencionales. Acude al establecimiento de tu operador más cercano si necesitas una tarjeta SIM convencional.

**Suggerimenti:**

Inserire/rimuovere la scheda SIM utilizzando lo strumento di espulsione SIM fornito. Per evitare di danneggiare il dispositivo, NON rimuovere il coperchio posteriore. Questo telefono supporta le schede nano SIM/micro SD standard. Se necessario, recarsi presso un operatore locale per ricevere una scheda nano SIM standard.

**Tipy:**

Vložte/vyjměte kartu SIM pomocí dodaného nástroje pro vysunutí. Aby nedošlo k poškození zařízení, NEODSTRAŇUJTE zadní kryt. Tento telefon podporuje standardní karty nano SIM / micro SD. V případě potřeby navštivte místní obchod operátora a požádejte o standardní kartu nano SIM.

**Sfaturi:**

Introduceți/scoateți cartela SIM utilizând ejectorul furnizat. Pentru a evita deteriorarea dispozitivului, NU scoateți capacul posterior. Acest telefon acceptă cartele nano SIM / micro SD standard. Dacă este necesar, vizitați magazinul operatorului local pentru a vă procura o cartelă nano SIM standard.

**Sugestões:**

Introduza/remova o cartão SIM utilizando o clipe de ejeção de SIM fornecido. Para evitar danificar o dispositivo, NÃO remova a tampa traseira. Este telemóvel suporta cartões nano SIM/micro SD padrão. Se necessário, desloque-se a uma loja de telemóveis no seu local para obter um cartão nano SIM padrão.