

4

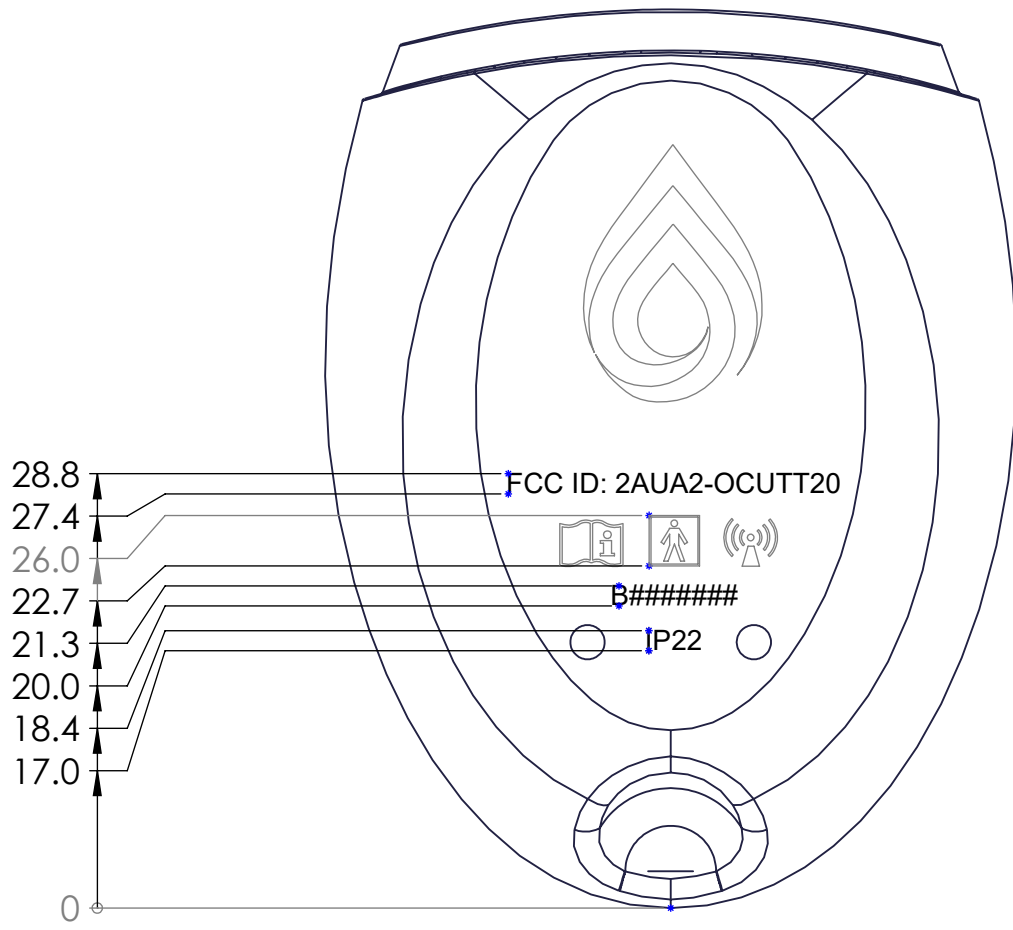
3

2

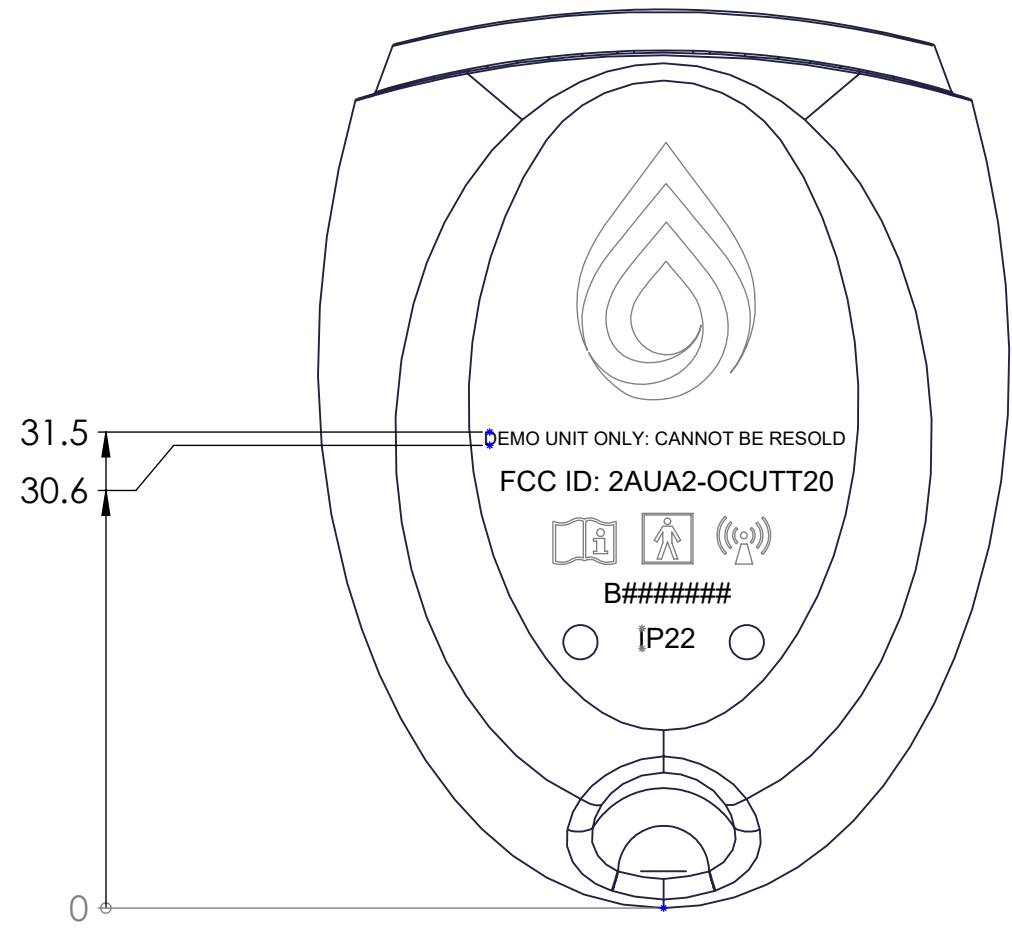
1

B

B



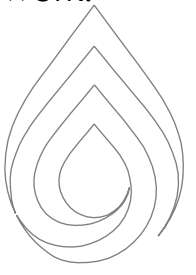
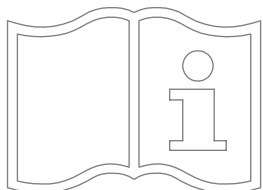
Scale 2:1
TrueTear 2.0 Back Housing



Scale 2:1
TrueTear 2.0 Demo Back Housing

Note:

1. Material Information:
 1. Oculeve P/N C-0519 - TrueTear 2.0 Back Housing
 2. Oculeve P/N C-0547 - TrueTear 2.0 Demo Back Housing.
2. All images are laser marked in-process except TrueTear Logo with SW-0173 for Back Housing or SW-0175 for Demo Back Housing.
3. All dimensions are in mm.
4. Laser mark location tolerance: +/- .75mm.
5. Laser Mark Quality:
 1. No visible smudges or smears.
 2. Image must be clear, complete, continuous, unblemished, and undistorted.
6. Images below can be used for copies to create artwork.



4

3

2

1

A

A

X.XXX ± .01 X.XX ± .05 X.X ± .1 X ± .2		SURFACE FINISH (µm): MACHINED 1.25 ✓ GROUND 0.63 ✓		ALL DIMENSIONS ARE IN MM TOLERANCES ARE AS LISTED HERE UNLESS OTHERWISE STATED		ECN	RELEASE DATE	DRAWING TITLE TrueTear 2.0 Base Unit Laser Marking Specification	
ANGLES ± 2°		PROPRIETARY AND CONFIDENTIAL THE INFORMATION CONTAINED IN THIS DRAWING IS THE SOLE PROPERTY OF ALLERGAN. ANY REPRODUCTION IN PART OR AS A WHOLE WITHOUT THE WRITTEN PERMISSION OF ALLERGAN IS PROHIBITED.				DRAWN	INITIAL PVI	DATE 8/15/2019	MATERIAL N/A
						CHECKED			FINISH Laser Marking Finish
						SCALE 1:1		SHEET OF 1 1	DWG NO & Rev C-0561 Rev A

