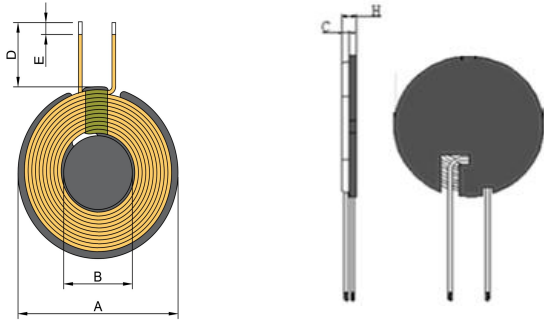
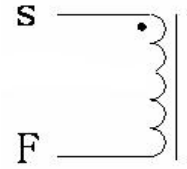


# SPECIFICATION FOR APPROVAL

## 1. MECHANICAL DIMENSION (UNIT:mm)



## 2. SCHEMATICS:



Note: 1. Add 18mm small magnetic disc  
2. Add back glue

A	B	C	D	E	H		
43.5±0.5	19±0.5	0.8±0.05	45±2	4±2	2.2Max		

## 3. WINDING:

STEP	START-FINISH	WIRE TYPE	TURNS	TAPE	REMARK
N1	S-F	Hot air wire Ø0.08*80mm 2UEW	11TS (Ref)		

## 4. ELECTRICAL SPECIFICATION:

ITEM	L	DCR	Temperature	HI-POT
TEST CON	Coil and diskette	S-F	Common state	
	100KHz, 0.25V	AT 25°C		
SPEC	7.4uH±10%	58mΩ Max	80°C	

## 5. BILF OF MATERIAL:

NO.	ITEM	MATERIAL SPECIFICATION	MANUFACTURER	SGS NO.
1	Hot air wire	Hot air wire 0.08*80 strand	NANJINGJINNINGCO,LTD	
2	Lead-free tin strip	Lead-free tin strip	QIAODO	
3	Magnetic sheet	Ø 43.5*0.8 Manganese zinc hard disk with L slot	TAIYI CO.,LTD	
4	Glue	Yellow glue 9999	LIANCHENG CO.,LTD	
5	High-temperature adhesive tape	8mm wide high temperature adhesive paper	CUDAK CO.,LTD	

HRSW ELECTRONICS CO.,LTD No. 36 Ningxi Road, Xiangzhou, Zhuhai, China		PART NO	
		Model	G43.5 Slotting+Magnetic coil+Small magnetic disc+Glue 45MM
DRAWN BY	CHECKED BY	APPROVED BY	
He Weihua	Wei Lihong	Wei Lihong	

We statement that All measurements were performed radiated and therefore additional antenna gain documentation is not required.