



TXID:0315256

SN:

102216-03015256

**Luna Products**

Model: LP\_KEY02.345.1

FCC ID: 2ATK4LPKEY02345

IC: 27198-LPKEY023451

INTRUSION DETECTION

UNITS

Made in China

10011578-001 B

2

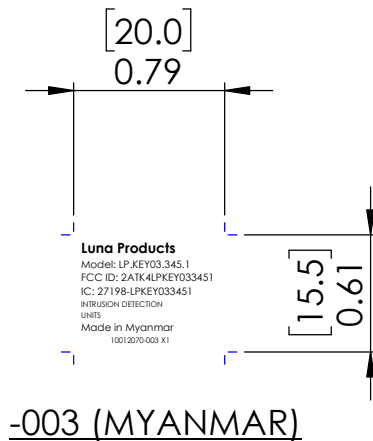
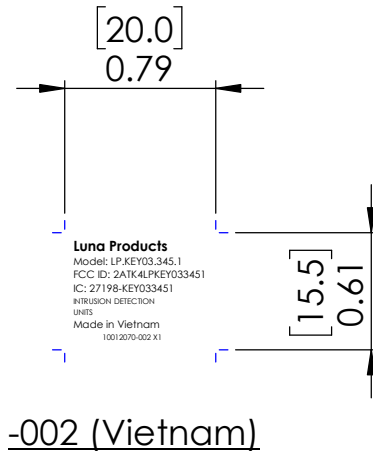
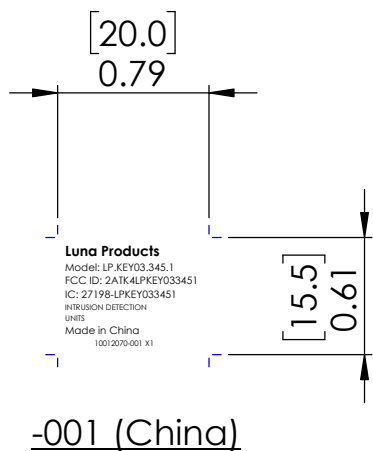
1

10012070-003	MYANMAR
10012070-002	VIETNAM
10012070-001	CHINA
PART NUMBER:	COUNTRY:
<b>TABULATION BLOCK</b>	

REV	DESCRIPTION	DATE	APPROVED
X1	INITIAL RELEASE- CA	15JULY24	

B

B



A

A

**PROPRIETARY AND CONFIDENTIAL**  
 THE INFORMATION CONTAINED IN THIS DRAWING IS THE SOLE PROPERTY OF ALDER/LUNA PRODUCTS. ANY REPRODUCTION IN PART OR AS A WHOLE WITHOUT THE WRITTEN PERMISSION OF ALDER/ LUNA PRODUCTS IS PROHIBITED.

		UNLESS OTHERWISE SPECIFIED:		NAME	DATE
		DIMENSIONS ARE IN INCHES	DRAWN	CA	15JULY24
		TOLERANCES:	CHECKED		
		FRACTIONAL ±	ENG APPR.		
		ANGULAR: MACH ± BEND ±	MFG APPR.		
		TWO PLACE DECIMAL ±	Q.A.		
		THREE PLACE DECIMAL ±	COMMENTS:		
		INTERPRET GEOMETRIC TOLERANCING PER:			
		MATERIAL			
		FINISH			
NEXT ASSY	USED ON				
APPLICATION		DO NOT SCALE DRAWING			

<b>lunaProducts</b>		
TITLE: ARTWORK, FCC/PROD ID, KEY03		
SIZE <b>A</b>	DWG. NO. 10012070-000	REV X1
SCALE: 1:1		SHEET 1 OF 1

2

1