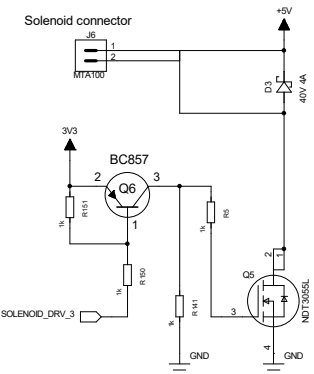
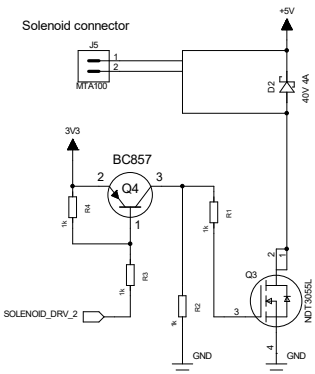
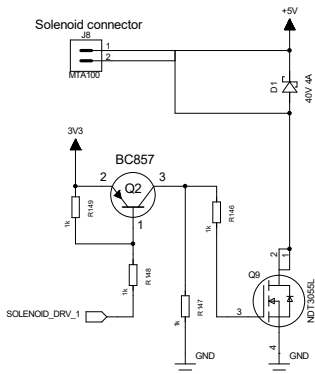
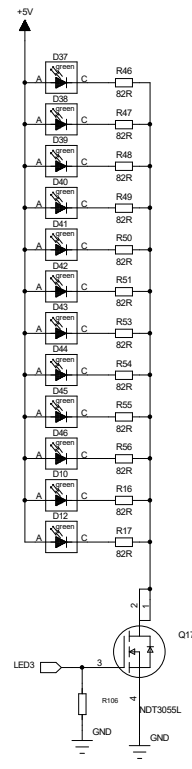
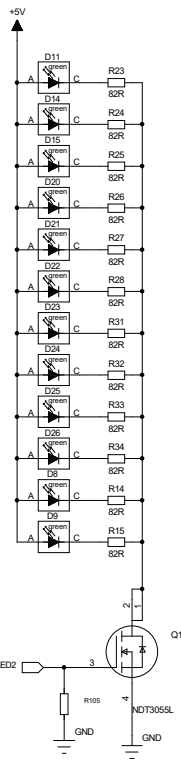
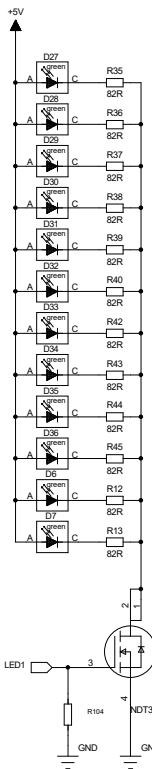
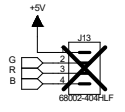
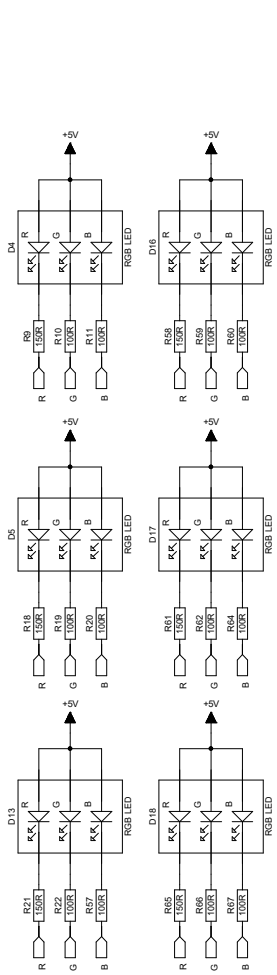
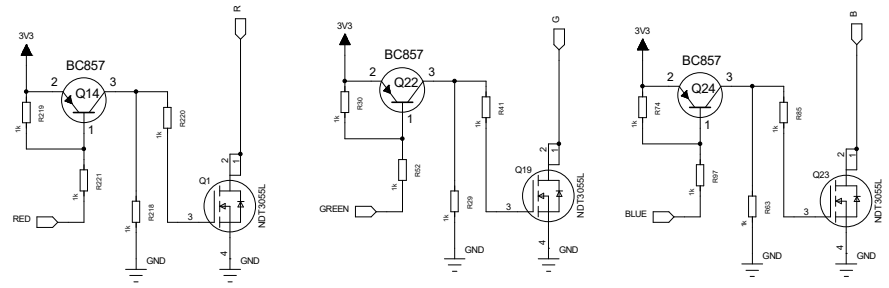
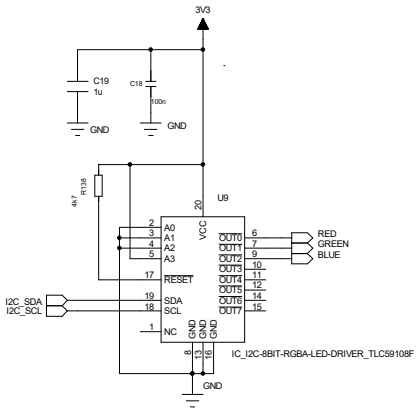
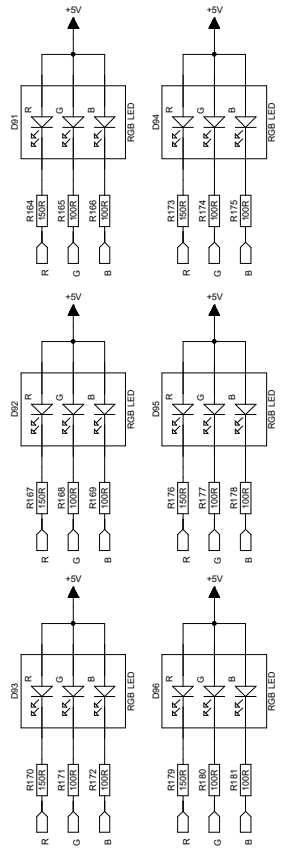


Drawing Title		W1416_3T Dock PCB v2.0 26.02.2015 TTK	
Page Title		Sheet 1	
Size	Document Number	Rev	2.0
Date	Monday, October 11, 2010	Sheet	1 of 3





1. 12V 2. Green 3. Red 4. Blue
Connector for optional led strip



Typical forward voltages
Red 2.0V
Green 3.2V
Blue 3.2V