

Company: RectorSeal

Product Name: CLM Actuator V2.0

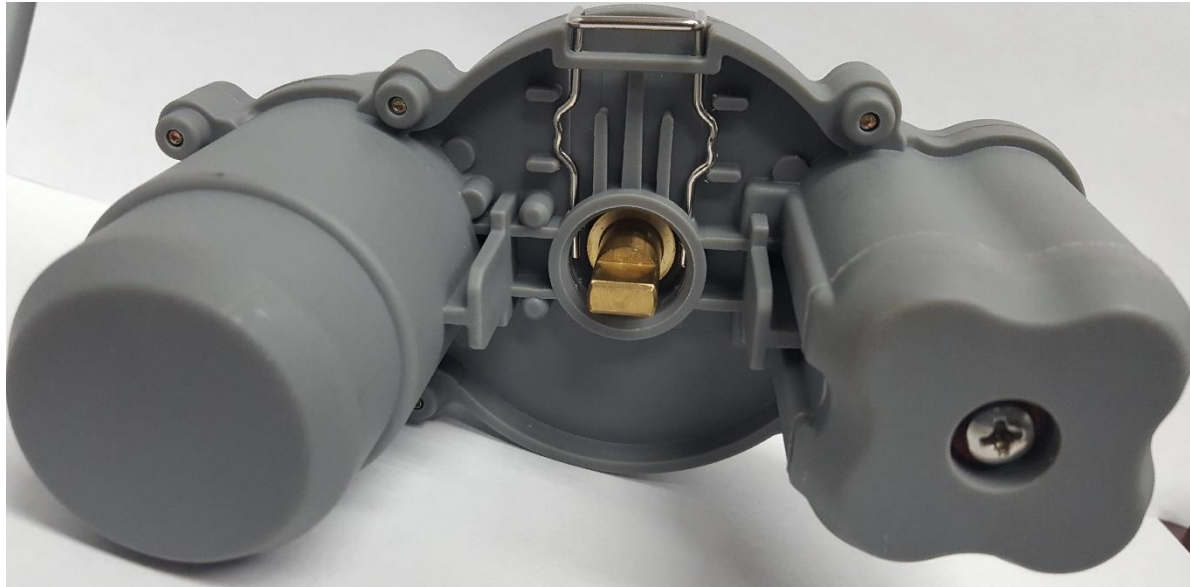
Report No.: RECT01 – CLM Actuator V2.0 External Photos

PHOTOS - EXTERNAL



1. External Photographs

1.1.1. Product - External



RECT01 Actuator Bottom



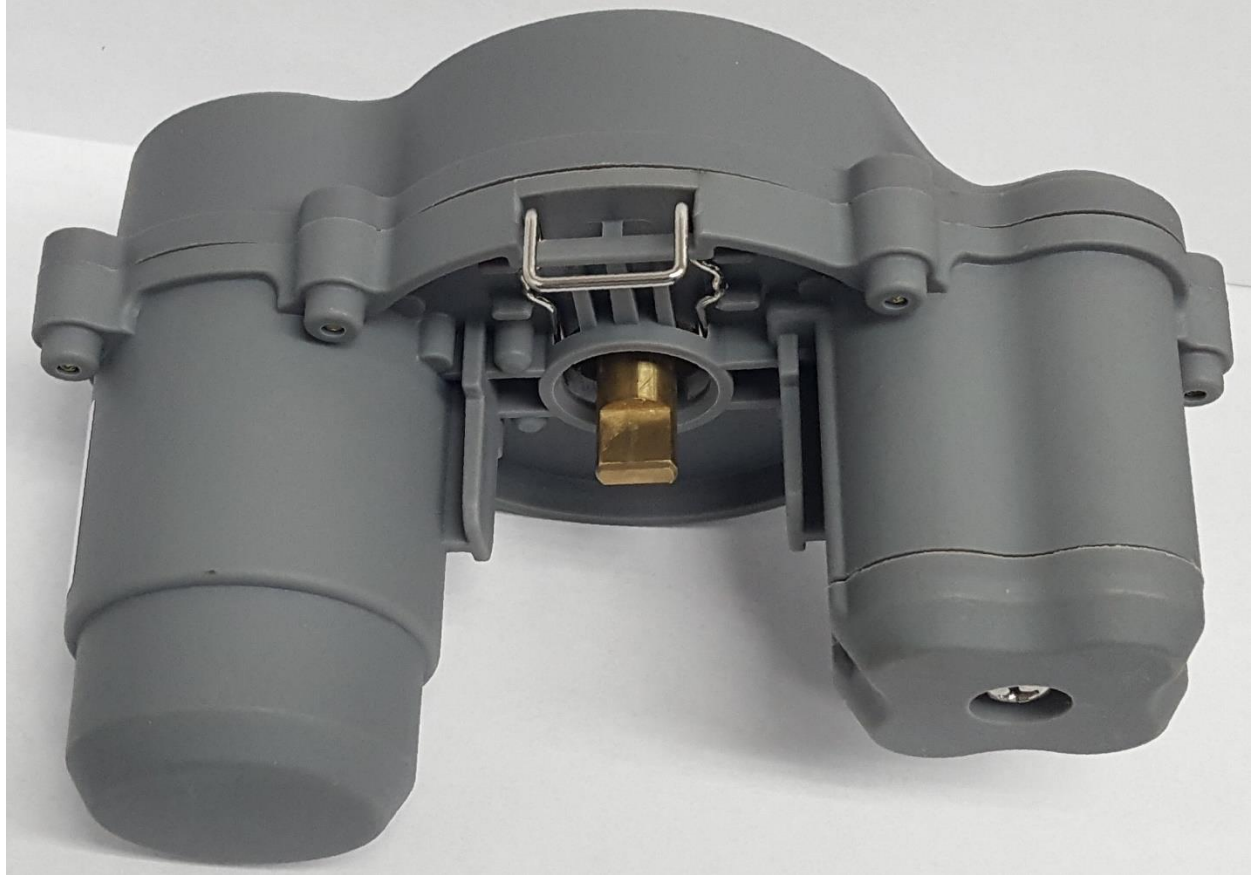
RECT01 Actuator Front

This test report may be reproduced in full only. The document may only be updated by MiCOM Labs personnel. All changes will be noted in the Document History section of the report.

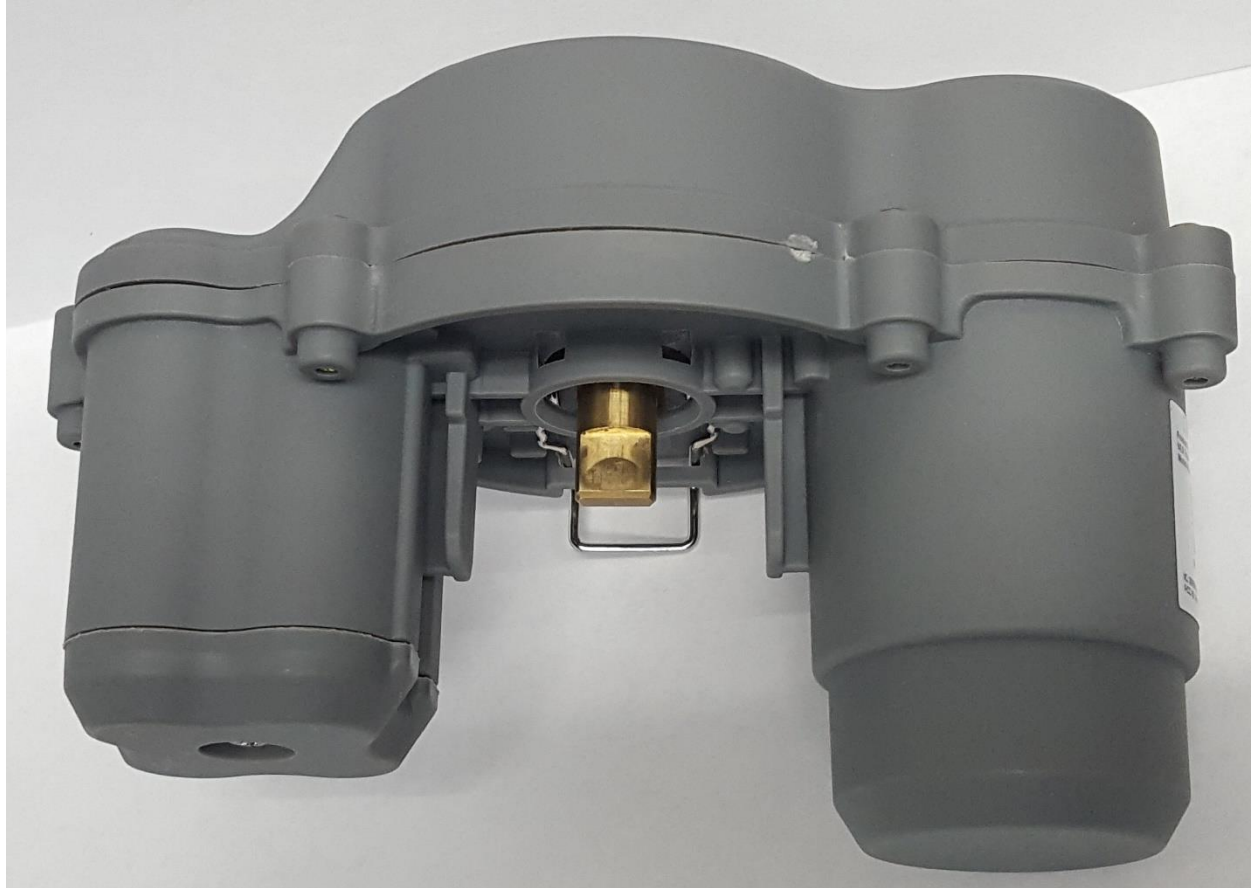


RECT01 Actuator Label

This test report may be reproduced in full only. The document may only be updated by MiCOM Labs personnel. All changes will be noted in the Document History section of the report.



RECT01 Actuator Left Side



RECT01 Actuator Right Side



575 Boulder Court
Pleasanton, California 94566, USA
Tel: +1 (925) 462 0304
Fax: +1 (925) 462 0306
www.micomlabs.com