

Saramonic

4-in-1 Wireless Microphone System
四合一无线麦克风系统

Blink500B2+

User Manual
用户手册

Statement

Please read this manual carefully before using and strictly operate and store it in accordance with the instructions. Please save the manual for your future reference. If you need further assistance than the user manual, please consult your retailer for help or email us: info@saramonic.com

Cautions

1. DO NOT remove the housing yourself.
2. Please keep it away from heat sources such as radiators or spotlights.
3. Do not remove the battery without professionals' help.
4. Please clean the device with only a soft, dry cloth.
5. When using and storing, please keep away from dust and moisture places.
6. For the best pick-up pattern, do not hold your hand against the microphone capsule cover.

General Introduction

The Blink500B2+ is a portable 2.4GHz wireless microphone system. It features high-performance noise cancellation, which is available for improving the recording effect in a noisy environment. The Blink500B2+ is perfect for live streaming, vlogging, mobile journalism, and more. What's more, equipped with a low-cut filter, the wireless microphone can eliminate unwanted low-frequency noise (75Hz/150Hz or lower) in your recording.

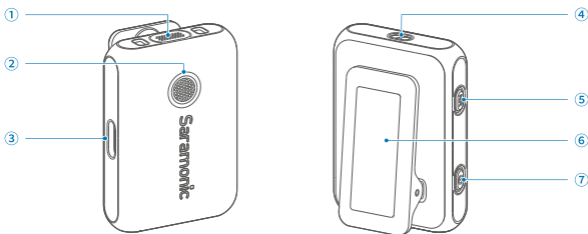
Built-in omnidirectional microphone, the small and light transmitter features 360-degrees of sound pickup. A 3.5mm TRS output, USB-C, and iOS Lightning adapters allow the receiver to connect with cameras, mixers, smartphones, tablets, laptops, and more. The receiver has a USB-C charging port that supports charging and powering the device while using it with the adapters.

Features

- Up to 150 meters of wireless transmission
- Separate noise cancellation control - 48kHz HD audio format retained
- Wide-range 20-20,000Hz frequency response - deliver exceptional high-quality sound
- Low-cut filter(75Hz/ 150Hz) - cut off low-frequency noise from common
- Up to 22 hours of operating time for a transmitter and 14 hours for a receiver
- Comes with a windproof capsule - minimize unwanted wind noise
- Attach the transmitter can be to your clothes with the included magnet
- Receiver's 3.5mm headphone output - monitor your audio in real-time
- High-resolution OLED display - see vital information at a glance
- Mono/ Stereo/ Safety Track output setting
- 3.5mm TRS analog output, USB-C and iOS Lightning digital output - universal compatibility with cameras, smartphones and computers
- Charging case included - make the kit easy to carry on

Product Structure

Transmitter



① Built-in Microphone Capsule

The capsule is fabricated with a windproof diaphragm, which can minimize unwanted wind noise and handling noise, etc.

② Status Indicator

Status	Indicator
Unpaired	Blinking blue slowly
Pairing	Blinking blue rapidly
Paired successfully	Static blue
Microphone muted	Blinking red slowly
Noise cancellation enabled	Static green
Low battery	Blinking red rapidly
Charging	Static red
Fully charged	Red light off (current status indicator)

NOTE: Please charge the transmitter when TX indicates low battery status, or it will automatically shut off within 10 minutes.

③ USB-C Charging Port

④ Charging Contacts

⑤ Noise Cancellation Button

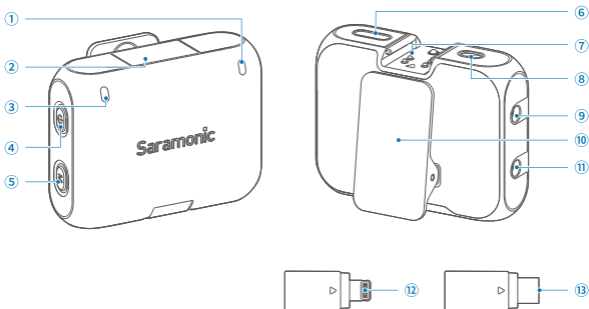
Press to enable or disable the noise cancellation.

⑥ Belt Clip

⑦ Power Button

- Press and hold for 2 seconds to power on or off.
- Press to mute or unmute the microphone.
- Press and hold for 5 seconds to enter the pairing state in shutdown mode.

Receiver



① Status Indicator for Channel A

Status	Indicator
Unpaired	Blinking blue
Pairing	
Paired successfully	Static blue

② OLED Screen

③ Status Indicator for Channel B

Status	Indicator
Unpaired	Blinking blue
Pairing	
Paired successfully	Static blue

④ Power Button

- Press and hold for 2 seconds to power on or off.
- Press to access the options of the gain. Refer to "Receiver's Screen Operations" for more details.

⑤ M Button

For setting values or functions in the receiver's menu. Refer to "Receiver's Screen Operations" for more details.

⑥ USB-C Charging Port

For charging the receiver. An external device can be powered and charged through this port while the receiver with a USB-C or iOS Lightning adapter is plugged into it.

⑦ Connecting Contacts

⑧ Charging Contacts

⑨ 3.5mm TRS Output

For analog audio output to a camera, mixer or recorder, etc.

⑩ Belt Clip

⑪ 3.5mm TRS Headphones Port

Connect your headphones to monitor the audio output in real-time of the audio.

⑫ MFi Certified Lightning Adapter

It can be connected to an iOS Lightning device.

⑬ USB-C Adapter

It can be connected to Android Smartphones, Tablets, Computers and other USB-C devices.

Charging Case



① Charging Indicator

Status	Battery Level	Indicator
Low battery	< 10%	⊙ ○ ○ ○
Charging	< 25%	⊙ ○ ○ ○
	25%~50%	● ⊙ ○ ○
	50%~75%	● ● ⊙ ○
	75%~100%	● ● ● ⊙
Fully charged	100%	● ● ● ●

② USB-C Charging Port

Receiver's Screen Operations

Home Screen Overview










From the Home screen, press the power button to access the options of the A or B channel gain → press the M button to adjust the value → press the power button again to save the setting.

	Indicates that the receiver is in Mono, Stereo, or Safety Track output mode.
	Sounds that are 75Hz (150Hz) or lower will be filtered.
	Indicates the receiver's output volume from 0 to 6. Default to 5.
	Indicates that channel A/ B is connected.
	Indicates the wireless signal strength between transmitter and receiver.
	Indicates that the current channel is disconnected.
	Microphone is muted.
	Indicates the noise cancellation of the transmitter has been enabled.
	Indicates the corresponding transmitter's mic gain from -6 to +9. Default to +7.
	Indicates current audio input level.
	Upper right corner: Indicates the receiver's battery level.
	Both sides: Indicates the corresponding transmitter's battery level.

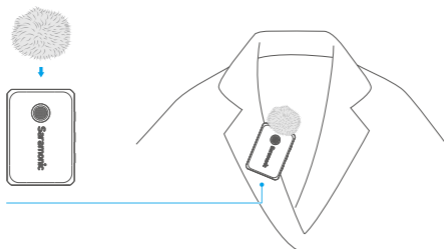
Menu Introduction

- From the Home screen, press the M button to access the menu page. Continue to press the M button to turn the page until the receiver returns to the Home screen.
- From the menu page, press and hold the M button to access options→press it to setting values or functions→press and hold it again to save the settings. Press the power button to exit the settings or menu page.
- If no operation is performed within 20 seconds on the menu page, the display will automatically return to the Home screen.

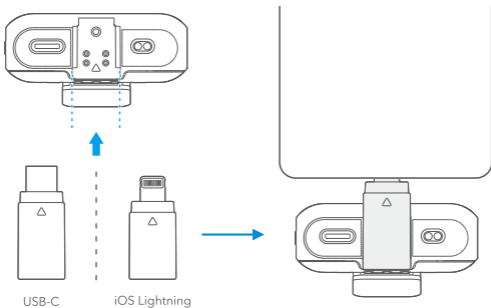
Main Menu	Sub Menu	Indicator
Output Mode	 Mono	Signal from the transmitter or both transmitters can be mixed together and recorded identically to the left and right tracks.
	 Stereo	Signals from each transmitter can be recorded to a separate track.
	 Safety Track	Similar to Mono mode, the audio of the right track will be recorded in -6dB in case of distortion in your recordings.
Output Volume	 0~6	The output gain level of the receiver can be reduced if the sound is distorted. The setting is retained even after the power is turned off. (Default to 5)
TX Mute Key	 Enable	The mute control of the transmitters' power button is activated.
	Disable	The mute control of the transmitters' power button is deactivated to prevent inadvertent operation.
Low Cut	 75Hz	Sounds that are 75Hz or lower will be filtered.
	 150Hz	Sounds that are 150Hz or lower will be filtered.
	Off	The low-cut filter is turned off by default.

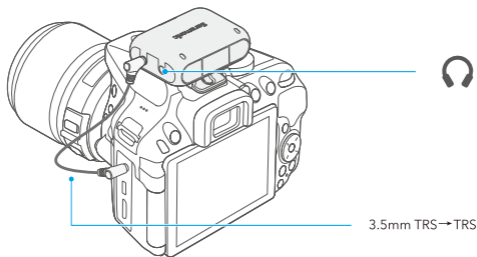
Speaker	Enable	Once your phone's speaker is enabled, sound can be played directly without unplugging the receiver inserted into an adapter. The phone's speaker is disabled by default.
	Disable	
Backlight	On	The backlight always stays on. (Default setting)
	10s	The backlight will turn off if no operation occurs for 10 seconds.
	30s	The backlight will turn off if no operation occurs for 30 seconds.
	60s	The backlight will turn off if no operation occurs for 60 seconds.
Language	简体中文	Default to English.
	English	
Reset Default	Yes?	After selecting Yes, the receiver's relevant parameters will be restored to the default factory values. (Please use it with caution.)
	No?	
Pair	Yes?	After selecting Yes, the receiver will enter the pairing state.
	No?	
Version		Indicates the receiver's software version.

How to Use



1. The transmitter comes with a windproof capsule. It can fit an extra fur windshield when you need to enhance wind protection outdoors or in a windy environment.



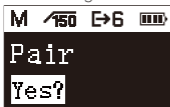


2. Push the selected adapter into the receiver, and then connect the receiver to your smartphone, tablet, computer, or other mobile devices. Or connect a camera or a mixer to the 3.5mm TRS audio output of the receiver with an adapter cable.
3. Press and hold the power buttons for 2 seconds to turn on the transmitter(s) and receiver.

4. Pairing

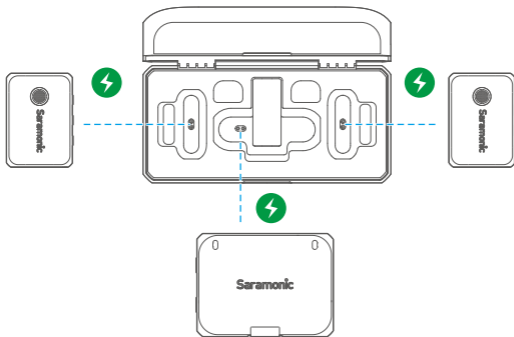
The transmitter(s) and receiver are paired by default. If they are disconnected, please follow the below steps:

- ① Press the receiver's M button until you turn to the "Pair" menu page.
- ② Press and hold the M button to access the options→press to select "Yes?"→press and hold again to save the settings.



- ③ To make the transmitter(s) enter the pairing state, press and hold its power button for 5 seconds in shutdown mode until its status indicator blinks blue rapidly.
 - ④ Transmitter(s) and receiver will be successfully paired within 10 seconds. The transmitter's information and status will be shown on the receiver's screen.
5. Plug your headphones into the receiver's 3.5mm headphone port for audio monitoring as your need.
 6. Set Mono, Stereo or Safety Track mode on the receiver's menu as your need.
 7. It is recommended to record a sample and play it back to check if the audio level is acceptable before recording.

8. In order to improve the recording effect in a noisy environment, it is recommended that press the **(NR)** button on the transmitter(s) to enable noise cancellation.



9. After recording, put the transmitter(s) and receiver back into the case for charging.

NOTE:

- ① If a certain transmitter of Blink500B2+ failed to pair, please turn off the paired transmitter, and then reconnect the unpaired transmitter and receiver.
- ② Due to the 2.4GHz wireless frequency is widely used, the signal may be easily attenuated or interfered. Please try to avoid obstacles while using, such as walls and buildings. And keep away from the devices with 2.4GHz frequency, such as high-power Wi-Fi antennas, radios, etc.

Troubleshooting

If you encounter problems when using the unit, please refer to the following checklist before contacting technical support. If the problem cannot be solved, please contact the dealer's after-sales service department.

- **If there is no sound from the unit or no sound when connected to an external device**
 - ① Make sure the receiver or the adapter on the receiver is well connected to your device. Or remove the adapter and wipe the charging contacts with a clean cloth.
 - ② Make sure the mic gain or output volume is not turned to the minimum.
 - ③ Make sure the transmitter is not muted.
- **If the sound of the unit is too low or too loud or even distorted**
 - ① Adjust mic gain and output volume to the suitable level for recording in the current environment to improve the recording effect.
 - ② If you are recording in noisy environment, it is recommended to enable noise cancellation to improve the recording effect.
- **Current noise or other abnormal noise appears during monitoring**

Make sure there is no interference near the unit. If the noise still exists after changing the unit's position, please contact our customer service.
- **Howling noise occurs when using the receiver with an adapter**

Make sure your phone's speaker is disabled in the receiver's menu.
- **The operating range of the unit is limited and the sound is frequently intermittent**

Make sure there is no interference between the transmitter(s) and the receiver. If the intermittent sound still occurs frequently, please contact our customer service.
- **Failed to charge the transmitter(s) or receiver via the charging case**
 - ① Make sure the charging contacts of both are in full contact. Wipe the charging contacts with a clean cloth and try again.
 - ② If you want to check whether the magnetic force is aging or whether the charging contacts of the two are not in sufficient contact, press the transmitter(s)/receiver placed in the charging case to check whether it is in a charging state. If the transmitter(s) or the receiver is still failed to be charged, please contact our customer service.

Specifications

Transmitter

Transmission Type	2.4GHz digital frequency
Modulation	GFSK
Polar Pattern	Omnidirectional
Operating Range	Up to 150m (Measured in open environment without obstacles and interference.)
Frequency Response	20Hz-20kHz
Reference Audio Input Level	-30~-42dBV (MIC input, 0dB gain)
Sampling/ Bit Rate	48kHz/ 24bit
Sensitivity	-40dB±2dB (1V/pa)
Signal-to-Noise Ratio	>80dB
Distortion	<0.10%
Audio Input	Built-in microphone capsule
Power Requirements	Built-in lithium-ion battery/ Charging contacts/ USB-C charging port (DC 5V)
Battery Capacity	190mAh
Battery Life	Approx. 22 hours
Charging Time	Approx. 2 hours
Weight	Approx. 23g
Dimensions	45mm×31.6mm×13mm
Operating Temperature	0°C to +50°C
Storage Temperature	-10°C to +50°C

Receiver

Display	OLED
Transmission Type	2.4GHz digital frequency
Modulation	GFSK
Operating Range	Up to 150m (Measured in open environment without obstacles and interference.)
Frequency Response	20Hz-20kHz
Sampling/ Bit Rate	48kHz/ 24bit
Signal-to-Noise Ratio	>80dB
Distortion	<0.10%
Audio Output	3.5mm TRS output/ MFi certified lightning adapter/ USB-C adapter
Monitor Port	3.5mm TRS headphone port
Power Requirements	Built-in lithium-ion battery/ Charging contacts/ USB-C charging port (DC 5V)
Battery Capacity	400mAh
Battery Life	Approx. 14 hours
Charging Time	Approx. 2 hours
Weight	Approx. 30g
Dimensions	49.5mm×37.5mm×18.8mm
Operating Temperature	0°C to +50°C
Storage Temperature	-10°C to +50°C

Charging Case

Battery Capacity	1250mAh
Charging Time	Approx. 2 hours
Charging Connector	USB-C charging port (DC 5V)
Times for Charging Microphone	1.2 times (2*TX+1*RX)
Weight	Approx. 140g
Dimensions	118.5mm×56.2mm×62mm
Operating Temperature	0°C to +50°C
Storage Temperature	-10°C to +50°C

In the Box

Transmitter ×2

Receiver ×1

Charging Case ×1

USB-C Adapter ×1

MFi Certified Lightning Adapter ×1

USB-A to USB-C Cable ×1

3.5mm TRS to 3.5mm TRS Audio Cable ×1

3.5mm TRS to 3.5mm TRRS Audio Cable ×1

Fur Windshield ×2

Magnet ×2

Carrying Pouch ×1

声明

请在使用前仔细阅读本手册，并严格按照说明进行操作和存储。请妥善保存好说明书以供将来参考。如果用户手册不能帮助您解决某些问题，请向零售商寻求帮助或给我们发送电子邮件：info@saramonic.com

注意事项

1. 请勿擅自拆开机壳；
2. 请勿将本机靠近热源，如散热器、聚光灯或其他产生热量的设备；
3. 电池不可自行更换；
4. 请使用柔软的干布清洁本设备；
5. 在使用和储存时，请注意防尘和防潮。
6. 为获得最佳拾音效果，请勿将手放在麦克风咪头上。

概述

Blink500B2+是一套便携式2.4GHz无线麦克风系统，具有高性能降噪功能，从容应对嘈杂的录音环境，适用于直播、Vlog拍摄、移动新闻等应用场景。另外，此无线麦克风还配置了低频剪切滤波器（75Hz/150Hz），可消除环境中不想要的低频噪音。

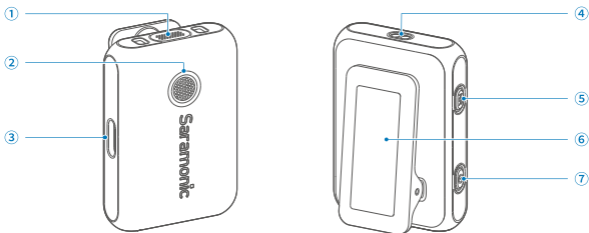
轻薄小巧的发射器内置全向型麦克风，能够360°拾音。接收器除3.5mm TRS输出孔以外，还附有Type-C、iOS Lightning两种转接头供选择，广泛兼容相机、混音器、智能手机、平板、电脑等设备。在与转接头一起使用时，接收器支持一边录制一边给外接设备充电。

特点

- 无线传输距离达150米
- 一键降噪,且支持48kHz高清音频格式
- 20-20,000Hz频响范围,高品质还原真实声音
- 低切滤波器(75Hz/150Hz),滤除常见的低频噪音
- 支持单次超长续航,发射器达22小时,接收器达14小时
- 内置防风膜片,支持裸机运动防风
- 发射器背夹可搭配磁吸片吸附在衣领上使用
- 接收器支持接入3.5mm耳机实时监听
- 高分辨率OLED屏幕,重要信息一目了然
- 自由切换单声道/立体声/安全音轨输出模式
- 3.5mm TRS模拟输出 & Type-C、iOS Lightning数字输出——广泛兼容相机、手机、电脑等
- 配套充电盒,便于出行携带

产品结构

发射器



① 内置麦克风
内含防风膜片,有效减少风噪声、触摸杂音等。

② 状态指示灯

状态	指示灯
未联机	蓝灯慢闪
对码中	蓝灯快闪
联机成功	蓝灯常亮
静音模式开启	红灯慢闪
降噪模式开启	绿灯常亮
低电量	红灯快闪
充电中	红灯常亮
充满电	红灯熄灭(当前状态指示)

注意:发射器处于低电量时请及时充电,否则发射器将在10分钟内自动关机。

③ Type-C充电接口

④ 充电触点

⑤ 降噪键

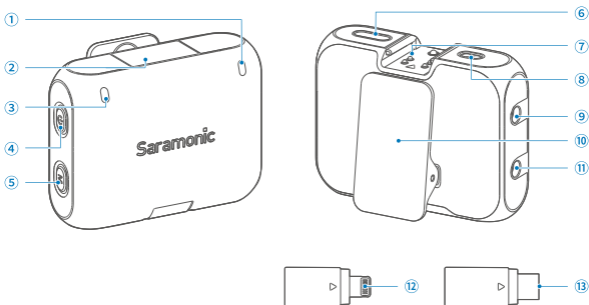
短按开启/关闭降噪功能。

⑥ 磁吸背夹

⑦ 电源键

长按2秒开/关机；短按开启/关闭静音模式；关机状态下长按5秒进入配对模式。

接收器



① A通道状态指示灯

状态	指示灯
未联机	蓝灯闪烁
对码中	
联机成功	蓝灯常亮

② OLED显示屏

③ B通道状态指示灯

状态	指示灯
未联机	蓝灯闪烁
对码中	
联机成功	蓝灯常亮

④ 电源键

长按2秒开/关机；短按可进入增益调节选项（详情请参考“接收器屏幕介绍”）。

⑤ M键

可调整接收器菜单设置（详情请参考“接收器屏幕介绍”）。

⑥ Type-C充电接口

用于给接收器充电。当带有Lightning或Type-C转接头的接收器插入外接设备时，可通过此充电端口为外接设备充电。

⑦ 连接触点

⑧ 充电触点

⑨ 3.5mm TRS输出孔

输出模拟音频至相机、混音器等设备。

⑩ 背夹

⑪ 3.5mm TRS耳机孔

接入耳机可实时监听音频。

⑫ MFi认证Lightning转接头

适配带Lightning接口的iOS设备。

⑬ Type-C转接头

适配安卓手机、平板或其他带Type-C接口的设备。

充电盒



① 电量指示灯

状态	电量	指示灯
低电量提示	< 10%	⊙ ○ ○ ○
充电中	< 25%	⊙ ○ ○ ○
	25%~50%	● ⊙ ○ ○
	50%~75%	● ● ⊙ ○
	75%~100%	● ● ● ⊙
充满电	100%	● ● ● ●

② Type-C充电接口

接收器屏幕介绍

主界面预览



在主界面，短按电源键可进入A/B通道增益调节选项
→短按M键可调节数值→再次短按电源键保存设定。

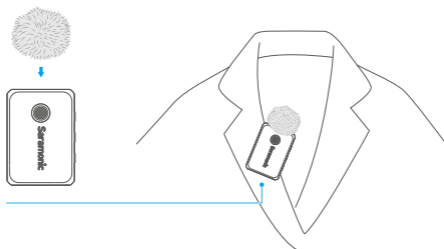
	接收器处于单声道/立体声/安全音轨输出模式
	发射器将过滤掉75Hz或150Hz以下的低频声音
	显示接收器输出音量，范围为0~6，默认设定为5档
	表示A/B通道已连接
	当前发射器与接收器之间的无线信号强度
	表示当前通道未连接
	表示发射器已静音
	表示发射器降噪功能已开启
	显示A/B通道对应的发射器麦克风增益，范围为-6~+9，默认设定为+7档
	显示当前音频输入电平
	界面右上角表示接收器电量
	界面两边分别表示A/B通道对应的发射器电量

菜单介绍

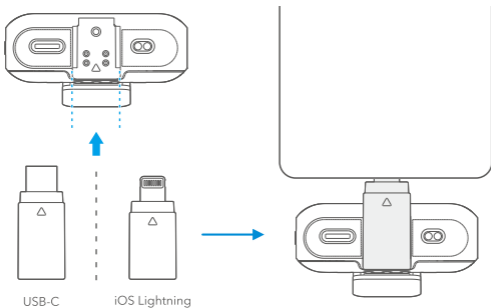
- 在主界面，短按M键可进入菜单，继续短按可切换不同菜单页，直到退回至主界面。
- 在菜单页，长按M键进入选项→短按M键调整各参数值或功能→再次长按M键保存设置；短按电源键可退出设置或直接退出菜单页。
- 如果超过20秒不操作，显示屏将自动跳转回主界面。

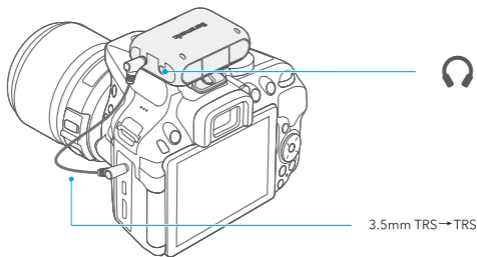
主菜单	子菜单	说明
输出模式	M 单声道	左右声道输出的内容一致
	S 立体声	左右声道输出分别对应发射器A和B两个声源
	Q 安全音轨	右声道的输出增益比左声道小6dB，以防声音过爆
RX输出音量	E6 0~6	若声音过爆，优先调小接收器输出音量，参数设定在电源关闭后仍保留（默认设定为5档）
TX静音开关	🔇 开启	启用发射器电源键的静音功能
	关闭	禁用发射器电源键的静音功能，防止误触
低切	75 75Hz	发射器将自动过滤掉75Hz以下的低频声音
	150 150Hz	发射器将自动过滤掉150Hz以下的低频声音
	关闭	默认低切功能关闭
外放	开启	开启后，无需拔掉带有转接头的接收器即可直接外放手机音频，默认外放功能关闭
	关闭	
背光时间	常亮	屏幕背光总是亮起（默认设定）
	10秒	屏幕背光将在未进行操作10秒后熄灭
	30秒	屏幕背光将在未进行操作30秒后熄灭
	60秒	屏幕背光将在未进行操作60秒后熄灭
语言设置	简体中文	默认设置为“English”
	English	
恢复出厂设置	是？	恢复出厂设置后，接收器的相关参数将被恢复到默认出厂值。（请谨慎使用此功能）
	否？	
对码	是？	选择“是”，接收器进入对码状态
	否？	
版本号		显示接收器的软件版本号

操作指南



1. 发射器支持裸机运动防风。在户外录音或有风的环境下，若想要更清晰的录音效果，可将防风毛套安装至发射器内置麦克风上。



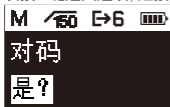


2. 选择对应的转接头安装到接收器的凹槽，然后连接至手机、平板、或电脑等移动设备。或使用3.5mm TRS音频线将相机、混音器等设备连接至接收器的音频输出孔。
3. 长按电源键2秒，将发射器、接收器开机。

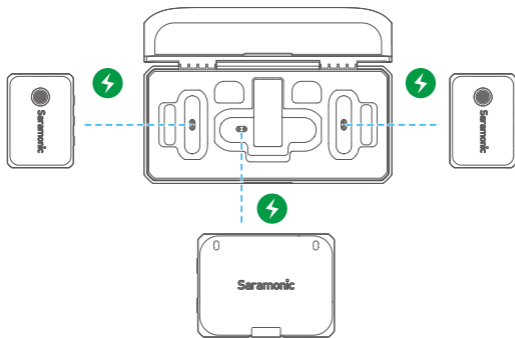
4. 配对

发射器和接收器出厂前已配对成功。若其断开连接，请进行如下配对操作：

- ① 短按接收器M键，直至翻到“对码”菜单页；
- ② 长按M键进入选项，短按M键切换至“是？”，再次长按M键确定选择；



- ③ 在发射机关机状态下长按其电源键5秒进入配对状态，待指示灯呈蓝灯快闪时松手；
 - ④ 发射器和接收器将在10秒内完成配对，接收器屏幕会显示发射器的信息状态。
5. 根据需求，可将您的耳机连接至接收器的3.5mm耳机孔进行音频监听。
 6. 根据需求，可在接收器软件菜单里设置单声道/立体声/安全音轨输出模式。
 7. 建议在正式录音前做个简短的录音测试，检查音频水平是否可以接受。
 8. 若录音环境嘈杂，还可以短按发射器降噪键(NR)开启降噪模式，提高录制效果。



9. 录制结束后，可将发射器/接收器放入充电盒中进行充电。

注意：

- ① 若Blink500B2+在对码过程中出现某一台发射器配对不成功的情况，则需要将已对码的发射器关机后，再将未对码的发射器与接收器进行重新配对。
- ② 由于在2.4GHz频谱下，信号很容易受干扰，请尽量避开墙壁和建筑物等障碍物，避免接近2.4GHz频率的设备，如大功率Wi-Fi天线、收音机等。

故障排除

在使用本机的过程中出现任何问题，请参照以下内容加以解决。如果此手册仍然无法解决您遇到的问题，请与我们当地的经销商售后服务部联系。

- 本机无声音

- ① 检查产品是否连接正常以及转接头是否有松动；或者将转接头取出，用干净的布擦拭充电触点。
- ② 检查增益/音量是否被调至最低。
- ③ 请验证发射器是否开启了静音模式。

- 本机声音过小或过大甚至破音

- ① 通过调节增益、音量，找到最适合当前环境录制的档位，提高录制效果。
- ② 若录音环境较为嘈杂，可开启发射器的降噪模式，提高录制效果。

- 监听时有不干净的电流声或异常噪音等

请检查本机附近是否有干扰源；若本机更换使用位置后还是有噪音，请联系客服咨询。

- 产品的使用距离受限且声音频繁断续

查看发射器、接收器之间是否有干扰源，将产品更换使用位置再次确认，若声音还是频繁断续，请联系客服咨询。

- 使用带有转接头的接收器时有啸叫声

检查接收器是否开启了手机外放功能。外放功能开启时可能会产生啸叫现象。

- 充电盒无法给发射器/接收器充电

- ① 检查充电触点是否接触不到位，可用干净的布擦拭充电触点后再次进行验证。
- ② 检查磁力是否老化、充电触点是否接触不到位，可通过手按压发射器/接收器验证其能否进入充电状态。若仍然无法充电，请联系客服咨询。

- 充电盒开盖时无法激活产品自动开机

请先关盖，等待10秒后再重新开盖。若仍然无法激活产品自动开机，请联系客服咨询。

参数

发射器

传输方式	2.4GHz数字频段
信号调制	高斯频移键控
极性模式	全向型
操作范围	最远至150米(在无障碍无干扰空旷环境测得)
频率响应	20Hz-20kHz
参考音频输入电平	-30~-42dBV(MIC输入, 0dB增益)
采样率/位深	48kHz/ 24bit
灵敏度	-40dB±2dB (1V/pa)
信噪比	> 80dB
失真	< 0.10%
音频输入	内置麦克风
供电方式	内置锂电池供电/ 充电盒触点充电/ Type-C充电口(直流电 5V)
电池容量	190mAh
续航时长	约22小时
充电时长	约2小时
重量	约23g
尺寸	45mm×31.6mm×13mm
工作温度	0°C to 50°C
贮存温度	- 10°C to 50°C

接收器

显示屏	OLED
传输方式	2.4GHz数字频段
信号调制	高斯频移键控
操作范围	最远至150米(在无阻碍无干扰空旷环境测得)
频率响应	20Hz-20kHz
采样率/位深度	48kHz/ 24bit
信噪比	> 80dB
失真	< 0.10%
音频输出	3.5 mm TRS输出孔/ MFi认证Lightning转接头/ Type-C转接头
监听接口	3.5mm TRS耳机孔
供电方式	内置锂电池供电/ 充电盒触点充电/ Type-C充电口(直流电 5V)
电池容量	400mAh
续航时长	约14小时
充电时长	约2小时
重量	约30g
尺寸	49.5mm×37.5mm×18.8mm
工作温度	0°C to 50°C
贮存温度	- 10°C to 50°C

充电盒

电池容量	1250mAh
充电时长	约2小时
供电方式	Type-C充电口(直流电 5V)
可供循环充电次数	1.2次(2*TX+1*RX)
重量	约140g
尺寸	118.5mm×56.2mm×62mm
工作温度	0°C ~ +50°C
贮存温度	-10°C ~+ 50°C

包装清单

发射器 ×2
接收器 ×1
充电盒 ×1
Type-C转接头 ×1
MFi认证Lightning转接头 ×1
USB-A转Type-C数据线 ×1
3.5mm TRS转3.5mm TRS音频线 ×1
3.5mm TRS转3.5mm TRS音频线 ×1
防风毛套 ×2
磁吸片 ×2
收纳袋 ×1



For better recording experience, the application Saramonic is recommended.

为获得更好的录制体验, 推荐使用枫笛 Saramonic 自主研发应用软件 Saramonic。



Scan the QR code and follow us!
扫描微信二维码关注枫笛公众号!

Shenzhen Jiayz Photo Industrial., Ltd
深圳市长丰影像器材有限公司

A16 Building, Intelligent Terminal Industrial Park of Silicon Valley
Power, Guanlan, Longhua District, Shenzhen, China
深圳市龙华区观澜街道大富工业区硅谷动力智能终端产业园A16栋

FCC Caution:

Any Changes or modifications not expressly approved by the party responsible for compliance could void the user's authority to operate the equipment.

This device complies with part 15 of the FCC Rules. Operation is subject to the following two conditions: (1) This device may not cause harmful interference, and (2) this device must accept any interference received, including interference that may cause undesired operation.

IMPORTANT NOTE:

Note: This equipment has been tested and found to comply with the limits for a Class B digital device, pursuant to part 15 of the FCC Rules. These limits are designed to provide reasonable protection against harmful interference in a residential installation. This equipment generates, uses and can radiate radio frequency energy and, if not installed and used in accordance with the instructions, may cause harmful interference to radio communications. However, there is no guarantee that interference will not occur in a particular installation. If this equipment does cause harmful interference to radio or television reception, which can be determined by turning the equipment off and on, the user is encouraged to try to correct the interference by one or more of the following measures:

- Reorient or relocate the receiving antenna.
- Increase the separation between the equipment and receiver.
- Connect the equipment into an outlet on a circuit different from that to which the receiver is connected.
- Consult the dealer or an experienced radio/TV technician for help.

FCC Radiation Exposure Statement:

This equipment complies with FCC radiation exposure limits set forth for an uncontrolled environment.