

FCC 47 CFR PART 15 SUBPART C

TEST REPORT

For

Enkore Smart Leverset

Model No.: EKS-LNP5C

Trade Name: Pamex

Issued to

Pamex Inc.
4680 Vinita Court, Chino, CA, 91710, United States

Issued by

Compliance Certification Services Inc.
Wugu Laboratory
No.11, Wugong 6th Rd., Wugu Dist.,
New Taipei City, Taiwan.
Issued Date: March 22, 2023

Unless otherwise stated the results shown in this test report refer only to the sample(s) tested and such sample(s) are retained for 90 days only.
除非另有說明，此報告結果僅對測試之樣品負責，同時此樣品僅保留90天。本報告未經本公司書面許可，不可部份複製。

This document is issued by the Company subject to its General Conditions of Service printed overleaf, available on request or accessible at <http://www.sgs.com.tw/Terms-and-Conditions> and, for electronic format documents, subject to Terms and Conditions for Electronic Documents at <http://www.sgs.com.tw/Terms-and-Conditions>. Attention is drawn to the limitation of liability, indemnification and jurisdiction issues defined therein. Any holder of this document is advised that information contained hereon reflects the Company's findings at the time of its intervention only and within the limits of client's instruction, if any. The Company's sole responsibility is to its Client and this document does not exonerate parties to a transaction from exercising all their rights and obligations under the transaction documents. This document cannot be reproduced, except in full, without prior written approval of the Company. Any unauthorized alteration, forgery or falsification of the content or appearance of this document is unlawful and offenders may be prosecuted to the fullest extent of the law.

Revision History

Rev.	Issue Date	Revisions	Effect Page	Revised By
00	March 6, 2023	Initial Issue	ALL	Doris Chu
01	March 22, 2023	See the following Note Rev. (01)	P.5	Doris Chu

Rev. (01)

1. Added remark in section 2.

TABLE OF CONTENTS

1. TEST RESULT CERTIFICATION	4
2. EUT DESCRIPTION	5
3. TEST METHODOLOGY	6
3.1 EUT CONFIGURATION	6
3.2 FCC PART 15.205 RESTRICTED BANDS OF OPERATIONS	6
3.3 DESCRIPTION OF TEST MODES	7
4. TEST SUMMARY	8
5. INSTRUMENT CALIBRATION	9
5.1 MEASURING INSTRUMENT CALIBRATION	9
5.2 MEASUREMENT EQUIPMENT USED	9
5.3 MEASUREMENT UNCERTAINTY	10
5.4 FACILITIES AND TEST LOCATION	10
6. SETUP OF EQUIPMENT UNDER TEST	11
6.1 SETUP CONFIGURATION OF EUT	11
6.2 SUPPORT EQUIPMENT	11
7. FCC PART 15.225 REQUIREMENTS	12
7.1 OCCUPIED BANDWIDTH(99%) AND 20 DB BANDWIDTH	12
7.2 FUNDAMENTAL AND RADIATED EMISSIONS	14
7.3 FREQUENCY STABILITY	23
7.4 POWERLINE CONDUCTED EMISSIONS	27
APPENDIX A PHOTOGRAPHS OF TEST SETUP	A-1

Report No.: TMWK2302000262KR

1. TEST RESULT CERTIFICATION

Applicant: Pamex Inc.
4680 Vinita Court, Chino, CA, 91710, United States

Manufacturer: ALZK Co., Ltd.
9F., No. 36, Sec. 3, Bade Rd., Songshan Dist., Taipei City,
Taiwan

Equipment Under Test: Enkore Smart Leverset

Trade Name: Pamex

Model No.: EKS-LNP5C

Date of Test: February 7 ~ 9, 2023

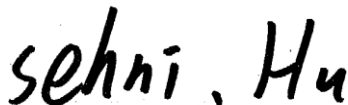
APPLICABLE STANDARDS	
STANDARD	TEST RESULT
FCC 47 CFR Part 15 Subpart C	Compliance
Statements of Conformity	
Determination of compliance is based on the results of the compliance measurement, not taking into account measurement instrumentation uncertainty.	

We hereby certify that:

The above equipment was tested by Compliance Certification Services Inc. The test data, data evaluation, test procedures, and equipment configurations shown in this report were made in accordance with the procedures given in ANSI C63.10: 2013 and the energy emitted by the sample tested as described in this report is in compliance with the requirements of FCC Rules Part 15.225.

The test results of this report relate only to the tested sample identified in this report.

Approved by:



Sehni Hu
Supervisor

2. EUT DESCRIPTION

Product	Enkore Smart Leverset
Model No.	EKS-LNP5C
Model Discrepancy	N/A
Trade	Pamex
Received Date	February 4, 2023
Power Supply	Power from Battery. (DC 1.5*4V)
Frequency Range	13.56MHz
Modulation Technique	ASK
Number of Channels	1 Channel
Antenna Requirement	Loop PCB Antenna
HW Version	V0.0.3
SW Version	V000002

Remark:

1. For more details, please refer to the User's manual of the EUT.
2. Disclaimer: Antenna information is provided by the applicant, test results of this report are applicable to the sample EUT received.
3. The antenna was permanently attached to the EUT, fulfill the requirement of this section 15.203, please refer to the EUT photos.

3. TEST METHODOLOGY

The tests documented in this report were performed in accordance with ANSI C63.10: 2013 and FCC CFR 47 Part 15.207, 15.209, 15.225.

3.1 EUT CONFIGURATION

The EUT configuration for testing is installed on RF field strength measurement to meet the Commissions requirement and operating in a manner that intends to maximize its emission characteristics in a continuous normal application.

3.2 FCC PART 15.205 RESTRICTED BANDS OF OPERATIONS

(a) Except as shown in paragraph (d) of this section, only spurious emissions are permitted in any of the frequency bands listed below:

MHz	MHz	MHz	GHz
0.090 - 0.110	16.42 - 16.423	399.9 - 410	4.5 - 5.15
¹ 0.495 - 0.505	16.69475 - 16.69525	608 - 614	5.35 - 5.46
2.1735 - 2.1905	16.80425 - 16.80475	960 - 1240	7.25 - 7.75
4.125 - 4.128	25.5 - 25.67	1300 - 1427	8.025 - 8.5
4.17725 - 4.17775	37.5 - 38.25	1435 - 1626.5	9.0 - 9.2
4.20725 - 4.20775	73 - 74.6	1645.5 - 1646.5	9.3 - 9.5
6.215 - 6.218	74.8 - 75.2	1660 - 1710	10.6 - 12.7
6.26775 - 6.26825	108 - 121.94	1718.8 - 1722.2	13.25 - 13.4
6.31175 - 6.31225	123 - 138	2200 - 2300	14.47 - 14.5
8.291 - 8.294	149.9 - 150.05	2310 - 2390	15.35 - 16.2
8.362 - 8.366	156.52475 -	2483.5 - 2500	17.7 - 21.4
8.37625 - 8.38675	156.52525	2655 - 2900	22.01 - 23.12
8.41425 - 8.41475	156.7 - 156.9	3260 - 3267	23.6 - 24.0
12.29 - 12.293	162.0125 - 167.17	3332 - 3339	31.2 - 31.8
12.51975 - 12.52025	167.72 - 173.2	3345.8 - 3358	36.43 - 36.5
12.57675 - 12.57725	240 - 285	3600 - 4400	(²)
13.36 - 13.41	322 - 335.4		

¹ Until February 1, 1999, this restricted band shall be 0.490-0.510 MHz.

² Above 38.6

(b) Except as provided in paragraphs (d) and (e), the field strength of emissions appearing within these frequency bands shall not exceed the limits shown in Section 15.209. At frequencies equal to or less than 1000 MHz, compliance with the limits in Section 15.209 shall be demonstrated using measurement instrumentation employing a CISPR quasi-peak detector. Above 1000 MHz, compliance with the emission limits in Section 15.209 shall be demonstrated based on the average value of the measured emissions. The provisions in Section 15.35 apply to these measurements.

3.3 DESCRIPTION OF TEST MODES

The EUT had been tested under engineering test mode condition and the EUT staying in continuous transmitting mode.

Radiated Emission Measurement Below 1G	
Test Condition	Radiated Emission Below 1G
Power supply Mode	Mode 1: EUT power by Battery
Worst Mode	<input checked="" type="checkbox"/> Mode 1 <input type="checkbox"/> Mode 2 <input type="checkbox"/> Mode 3 <input type="checkbox"/> Mode 4

Remark:

1. *The worst mode was record in this test report.*
2. *EUT pre-scanned in three axis ,X, Y, Z and two polarity, for radiated measurement. The worst case(Z -Plane) were recorded in this report*

4. TEST SUMMARY

FCC Standard Sec.	Chapter	Test Item	Result
15.203	2	Antenna Requirement	Pass
15.215	7.1	Occupied Bandwidth (99%) and 20dB Bandwidth	Pass
15.209 & 15.225	7.2	Radiated Emissions	Pass
15.225	7.3	Frequency Stability	Pass
15.207	7.4	AC Power-line Conducted Emission	N/A

5. INSTRUMENT CALIBRATION

5.1 MEASURING INSTRUMENT CALIBRATION

The measuring equipment, which was utilized in performing the tests documented herein, has been calibrated in accordance with the manufacturer's recommendations for utilizing calibration equipment, which is traceable to recognized national standards.

5.2 MEASUREMENT EQUIPMENT USED

Equipment Used for Emissions Measurement

RF Conducted Test Site					
Name of Equipment	Manufacturer	Model	Serial Number	Calibration Date	Calibration Due
Thermostatic/Humidity Chamber	TAICHY	MHG-150LF	930619	2022-10-25	2023-10-24
EXA Signal Analyzer	Keysight	N9010B	MY60242460	2023-02-02	2024-02-01
Loop Probe	LANGER EMV-TECHNIK	RF-R 50-1	02-2644	2023-01-13	2024-01-12
Software	N/A				

3M 966 Chamber Test Site					
Equipment	Manufacturer	Model	S/N	Cal Date	Cal Due
PXA Signal Analyzer	Keysight Technologies	N9030B	MY62291089	2022-10-14	2023-10-13
Loop Antenna	COM-POWER	AL-130	121051	2022-04-13	2023-04-12
Preamplifier	EMEC	EM330	060609	2022-02-23	2023-02-22
Thermo-Hygro Meter	WISEWIND	1206	D07	2022-12-19	2023-12-18
Bi-Log Antenna	Sunol Sciences	JB3	A030105	2022-08-03	2023-08-02
Cable	Huber+Suhner	104PEA	20995+11112+182330	2022-02-23	2023-02-22
Turn Table	CCS	CC-T-1F	N/A	N.C.R	N.C.R
Controller	CCS	CC-C-1F	N/A	N.C.R	N.C.R
Antenna Tower	CCS	CC-A-1F	N/A	N.C.R	N.C.R
Software	e3 6.11-20180419c				

AC Conducted Emissions Test Site					
Equipment	Manufacturer	Model	S/N	Cal Date	Cal Due
N/A					

Remark:

1. Each piece of equipment is scheduled for calibration once a year.
2. N.C.R. = No Calibration Request.

5.3 MEASUREMENT UNCERTAINTY

PARAMETER	UNCERTAINTY
AC Powerline Conducted Emission	± 2.1183
Channel Bandwidth	± 2.1863
Frequency Stability	± 2.0730
Radiated Emission_9kHz-30MHz	± 3.814
Radiated Emission_30MHz-200MHz	± 4.272
Radiated Emission_200MHz-1GHz	± 4.619

Remark: This uncertainty represents an expanded uncertainty expressed at approximately the 95% confidence level using a coverage factor of k=2.

5.4 FACILITIES AND TEST LOCATION

All measurement facilities used to collect the measurement data are located at

No.11, Wugong 6th Rd., Wugu Dist., New Taipei City, Taiwan.

No. 12, Ln. 116, Wugong 3rd Rd., Wugu Dist., New Taipei City, Taiwan 24803

CAB identifier: TW1309

Test site	Test Engineer	Remark
AC Conduction Room	-	Not applicable, because EUT not connect to AC Main Source direct.
Radiation	Tony Chao	-
RF Conducted	Marco Chan	-

Remark: The lab has been recognized as the FCC accredited lab under the KDB 974614 D01 and is listed in the FCC public Access Link (PAL) database, FCC Registration No. :444940, the FCC Designation No.:TW1309

Report No.: TMWK2302000262KR

6. SETUP OF EQUIPMENT UNDER TEST

6.1 SETUP CONFIGURATION OF EUT

See test photographs attached in Appendix A for the actual connections between EUT and support equipment.

6.2 SUPPORT EQUIPMENT

No.	Device Type	Brand	Model	Series No.	FCC ID
1	NB(E)	Lenovo	IBM 7663	N/A	N/A

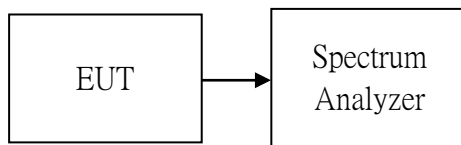
Remark:

1. All the equipment/cables were placed in the worst-case configuration to maximize the emission during the test.
2. Grounding was established in accordance with the manufacturer's requirements and conditions for the intended use.

Report No.: TMWK2302000262KR

7. FCC PART 15.225 REQUIREMENTS

7.1 OCCUPIED BANDWIDTH(99%) AND 20 dB BANDWIDTH TEST CONFIGURATION



TEST PROCEDURE

1. Place the EUT on the table and set it in the transmitting mode.
2. Remove the antenna from the EUT and then connect a low loss RF cable from the antenna port to the spectrum analyzer.
3. Set the spectrum analyzer as RBW & VBW (RBW) shall be in the range of 1% to 5% of the actual occupied / x dB bandwidth (VBW) shall not be smaller than three times the RBW value.
4. For the RBW setting that is too low, it will affect the actual waveform characteristics, so it will be set to the lowest RBW of 1kHz.
5. Record the max. reading.

TEST RESULTS

compliance.

Temperature: 21.8°C

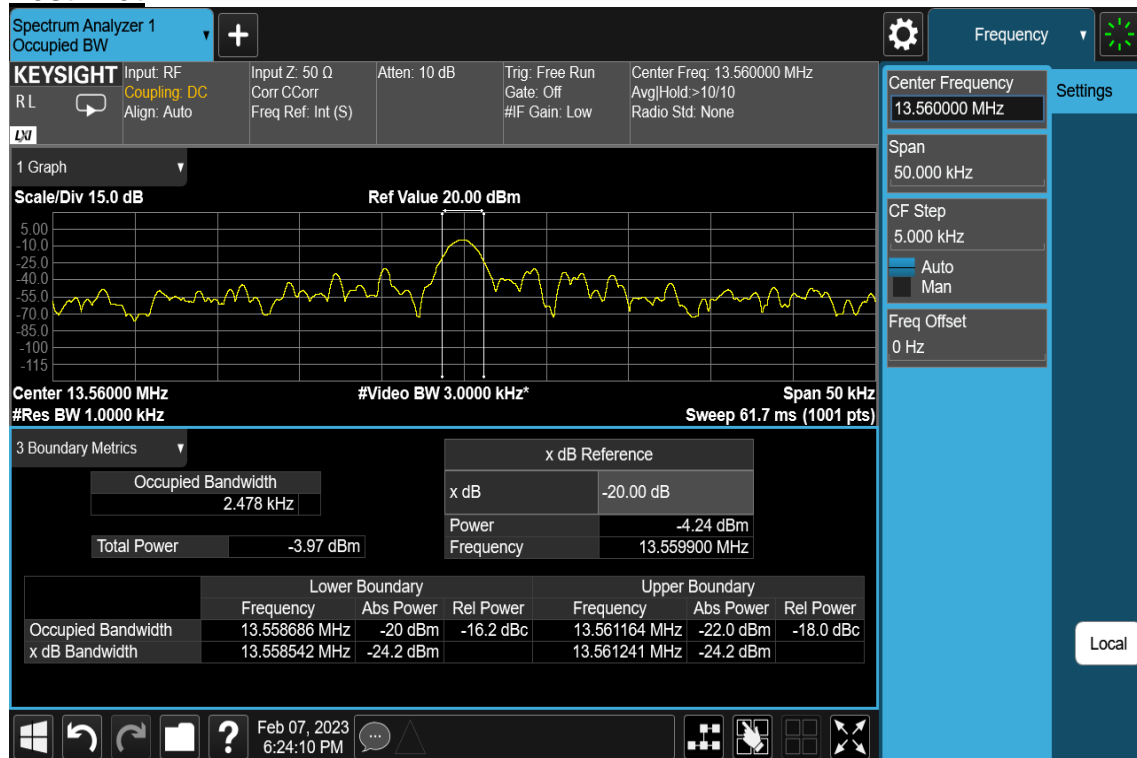
Humidity: 68% RH

Tested by: Marco Chan

Test Date: February 7, 2023

Test Condition	Frequency(MHz)	Occupied Bandwidth 99% (kHz)	20 dB Bandwidth (kHz)
NFC	13.56	2.478	2.699

Test Plot



7.2 FUNDAMENTAL AND RADIATED EMISSIONS

LIMIT

According to §15.225

- (a) The field strength of any emissions within the band 13.553 – 13.567 MHz shall not exceed 15,848 microvolts / meter at 30 meters.
- (b) Within the bands 13.410 – 13.553 MHz and 13.567 -13.710 MHz, the field strength of any emissions shall not exceed 334 microvolts / meter at 30 meters.
- (c) Within the bands 13.110 – 13.410 MHz and 13.710 – 14.010 MHz the field strength of any emissions shall not exceed 106 microvolts / meter at 30 meters.
- (d) The field strength of any emissions appearing outside of the 13.110 – 14.010 MHz and shall not exceed the general radiated emission limits in §15.209.

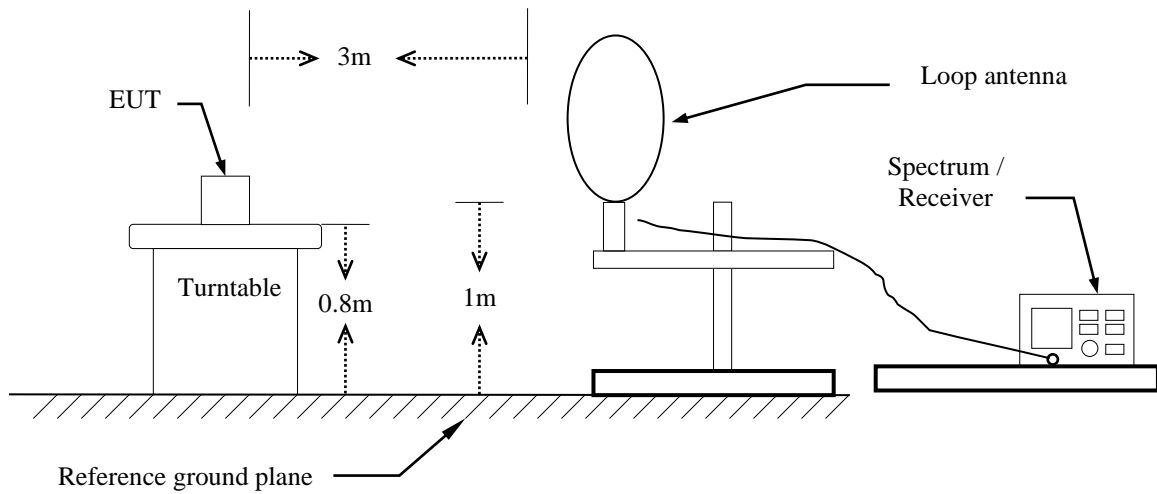
According to §15.225, except as provided elsewhere in this Subpart, the emissions from an intentional radiator shall not exceed the field strength levels specified in the following table:

Frequency (MHz)	Field Strength (µV/m at meter)	Measurement Distance (meter)
0.009 – 0.490	2400 / F (kHz)	300
0.490 – 1.705	24000 / F (kHz)	30
1.705 – 30.0	30	30
30 - 88	100**	3
88-216	150**	3
216-960	200**	3
Above 960	500	3

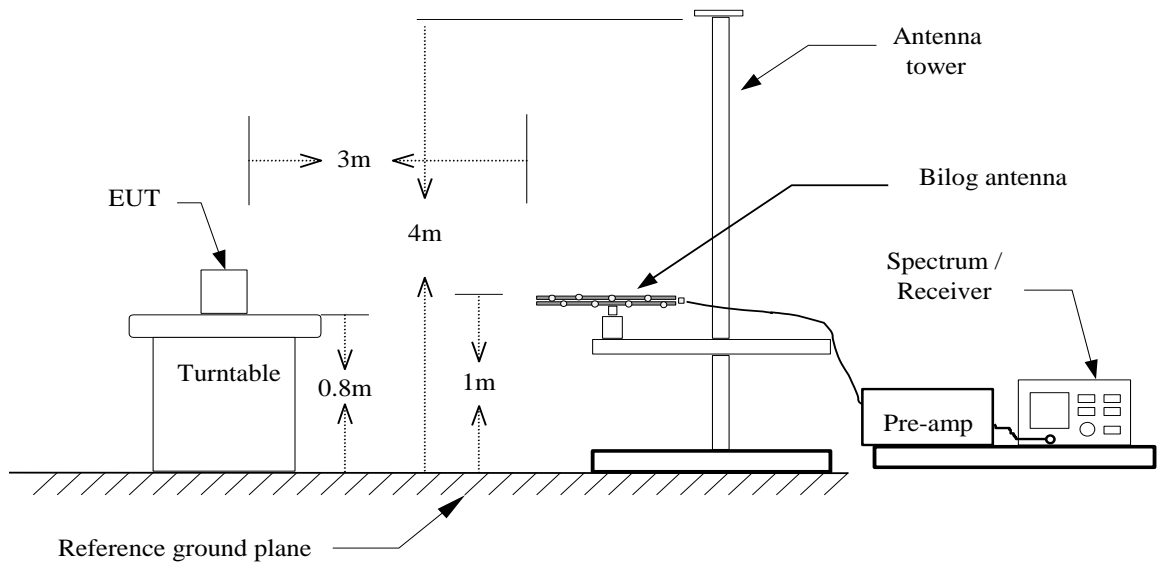
** Except as provided in paragraph (g), fundamental emissions from intentional radiators operating under this Section shall not be located in the frequency bands 54-72 MHz, 76-88 MHz, 174-216 MHz or 470-806 MHz. However, operation within these frequency bands is permitted under other sections of this Part, e.g., Sections 15.231 and 15.241.

Test Configuration

9kHz ~ 30MHz



30MHz ~ 1GHz



TEST PROCEDURE

For 9kHz ~ 30MHz

1. The EUT is placed on a turntable, which is 0.8m above ground plane.
2. The turntable shall be rotated for 360 degrees to determine the position of maximum emission level.
3. EUT is set 3m away from the receiving antenna, The center of the loop shall be 1 m above the ground then to find out the highest emissions.
4. Maximum procedure was performed on the six highest emissions to ensure EUT compliance.
5. Set the spectrum analyzer in the following setting as:
9KHz-490KHz : RBW=200Hz / VBW=1kHz / Sweep=AUTO
490KHz-30MHz : RBW=10kHz / VBW=30kHz / Sweep=AUTO
6. Repeat above procedures until the measurements for all frequencies are complete.

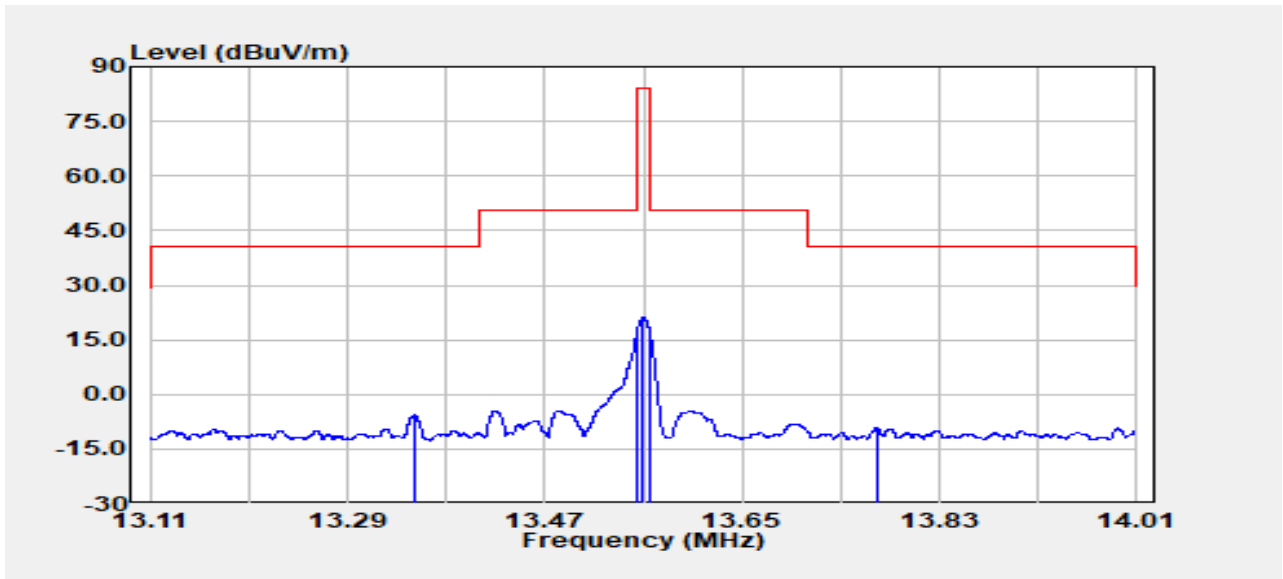
For 30MHz ~ 1GHz

1. The EUT is placed on a turntable, which is 0.8m above ground plane.
2. The turntable shall be rotated for 360 degrees to determine the position of maximum emission level.
3. EUT is set 3m away from the receiving antenna, which is varied from 1m to find out the highest emissions.
4. Maximum procedure was performed on the six highest emissions to ensure EUT compliance.
5. And also, each emission was to be maximized by changing the polarization of receiving antenna both horizontal and vertical.
6. Set the spectrum analyzer in the following setting as:
RBW=100kHz / VBW=300kHz / Sweep=AUTO
7. Repeat above procedures until the measurements for all frequencies are complete.

Remark :

Although these tests were performed other than open area test site, adequate comparison measurements were confirmed against 30 m open are test site. Therefore sufficient tests were made to demonstrate that the alternative site produces results that correlate with the ones of tests made in an open field based on KDB 414788.

Operation Mode:	TX mode	Test Date:	February 9, 2023
Temperature:	22.8°C	Tested by:	Tony Chao
Humidity:	61 % RH	Polarity:	Hor.

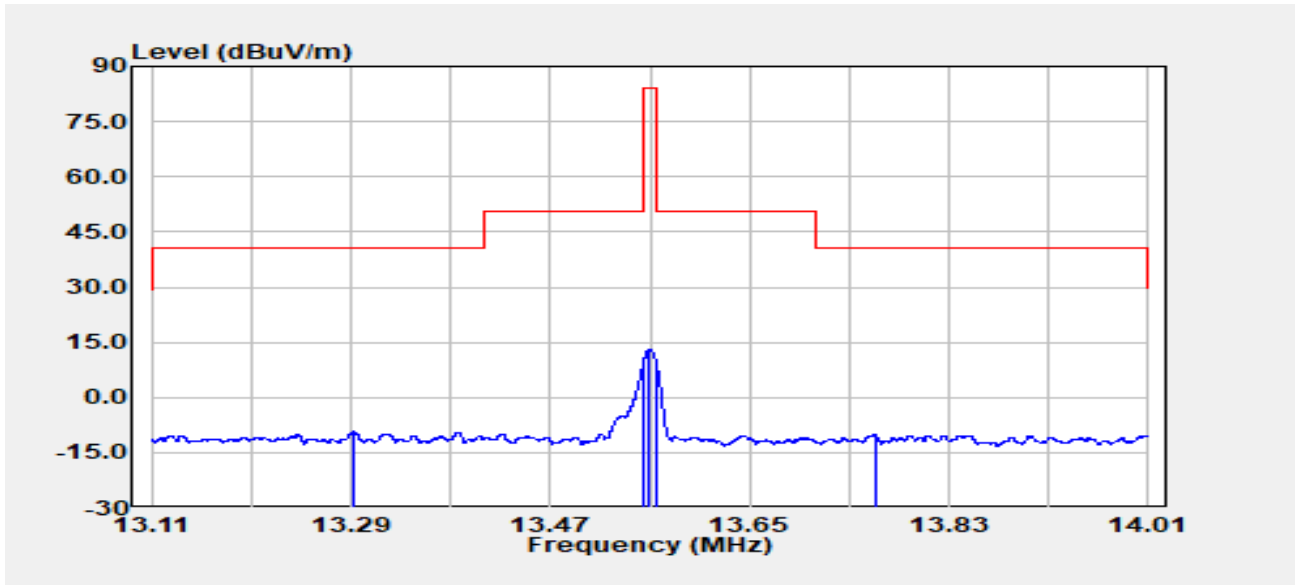


Freq. MHz	Detector Mode PK/QP/AV	Spectrum Read Level @3m dBµV	Factor @3m dB	Actual FS @3m dBµV/m	Factor @30m&300m dB	Actual FS @30m&300m dBµV/m	Limit dBµV/m	Margin dB
13.350	Peak	19.10	15.15	34.25	-40.00	-5.75	40.51	-46.26
13.553	Peak	40.56	15.15	55.71	-40.00	15.71	50.47	-34.76
13.560	Peak	45.84	15.15	60.99	-40.00	20.99	84.00	-63.01
13.567	Peak	40.26	15.15	55.41	-40.00	15.41	50.47	-35.06
13.773	Peak	15.49	15.16	30.65	-40.00	-9.35	40.51	-49.86

Remark:

1. Radiated emissions measured were made with an instrument using peak/quasi-peak/average detector mode.
2. Measurements above show only up to 6 maximum emissions noted, or would be lesser, with " N/A " remark, if no specific emissions from the EUT are recorded (ie: margin>20dB from the applicable limit) and considered that's already beyond the background noise floor.
3. Margin (dB) = Result (dBuV/m) – Limit (dBuV/m).
4. The measurement distance is 3m, the distance of Actual FS is convert to 30m.

Operation Mode:	TX mode	Test Date:	February 9, 2023
Temperature:	22.8°C	Tested by:	Tony Chao
Humidity:	61 % RH	Polarity:	Ver.

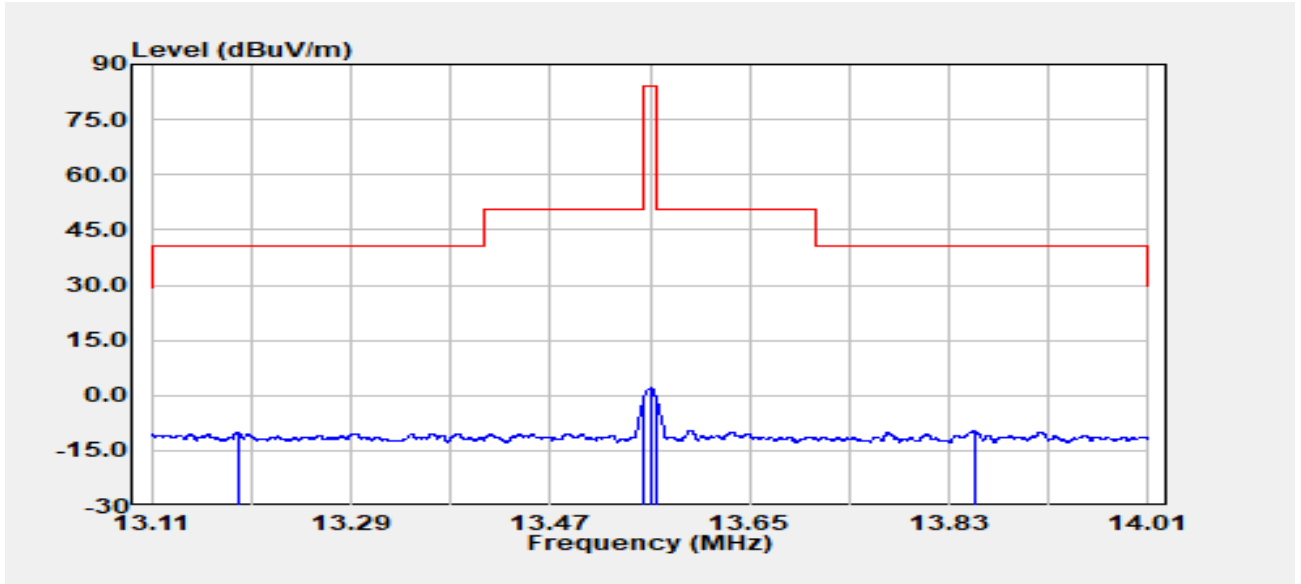


Freq. MHz	Detector Mode PK/QP/AV	Spectrum Read Level @3m dBµV	Factor @3m dB	Actual FS @3m dBµV/m	Factor @30m&300m dB	Actual FS @30m&300m dBµV/m	Limit dBµV/m	Margin dB
13.292	Peak	15.52	15.15	30.67	-40.00	-9.33	40.51	-49.84
13.553	Peak	32.70	15.15	47.86	-40.00	7.86	50.47	-42.61
13.560	Peak	37.81	15.15	52.96	-40.00	12.96	84.00	-71.04
13.567	Peak	32.35	15.15	47.50	-40.00	7.50	50.47	-42.97
13.763	Peak	14.56	15.15	29.72	-40.00	-10.28	40.51	-50.79

Remark:

1. Radiated emissions measured were made with an instrument using peak/quasi-peak/average detector mode.
2. Measurements above show only up to 6 maximum emissions noted, or would be lesser, with " N/A " remark, if no specific emissions from the EUT are recorded (ie: margin>20dB from the applicable limit) and considered that's already beyond the background noise floor.
3. Margin (dB) = Result (dBUV/m) – Limit (dBUV/m).
4. The measurement distance is 3m, the distance of Actual FS is convert to 30m.

Operation Mode:	TX mode	Test Date:	February 9, 2023
Temperature:	22.8°C	Tested by:	Tony Chao
Humidity:	61 % RH	Polarity:	Ground



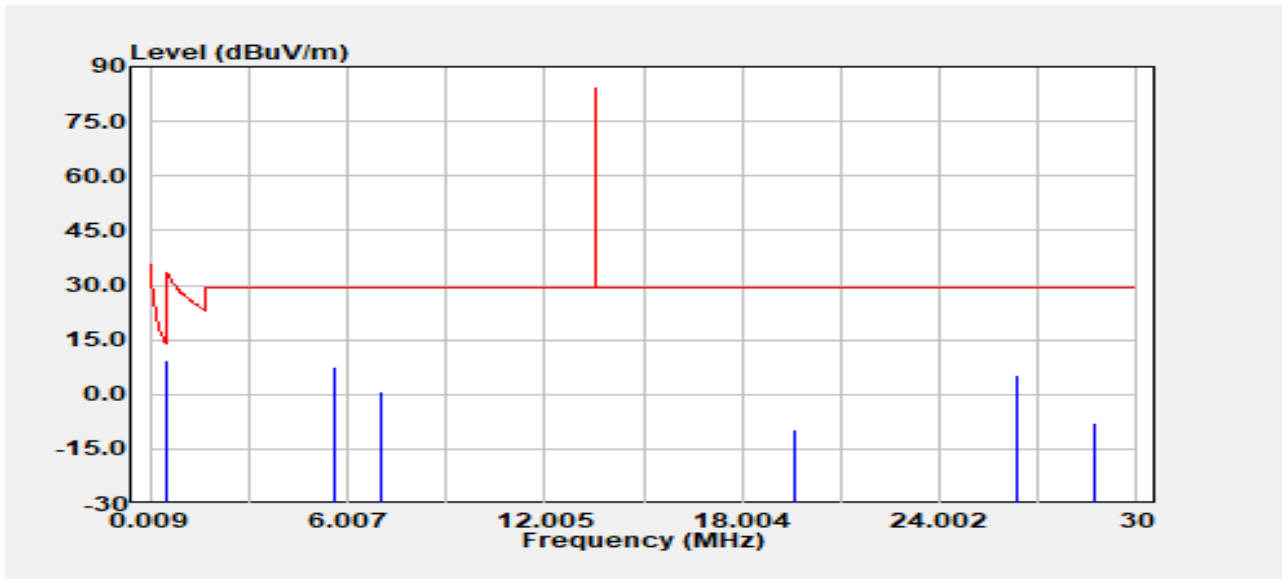
Freq. MHz	Detector Mode PK/QP/AV	Spectrum Read Level @3m dBµV	Factor @3m dB	Actual FS @3m dBµV/m	Factor @30m&300m dB	Actual FS @30m&300m dBµV/m	Limit dBµV/m	Margin dB
13.188	Peak	14.73	15.14	29.87	-40.00	-10.13	40.51	-50.64
13.553	Peak	22.42	15.15	37.57	-40.00	-2.43	50.47	-52.90
13.560	Peak	26.79	15.15	41.94	-40.00	1.94	84.00	-82.06
13.567	Peak	22.67	15.15	37.82	-40.00	-2.18	50.47	-52.65
13.852	Peak	15.00	15.16	30.16	-40.00	-9.84	40.51	-50.35

Remark:

1. Radiated emissions measured were made with an instrument using peak/quasi-peak/average detector mode.
2. Measurements above show only up to 6 maximum emissions noted, or would be lesser, with " N/A " remark, if no specific emissions from the EUT are recorded (ie: margin>20dB from the applicable limit) and considered that's already beyond the background noise floor.
3. Margin (dB) = Result (dBUV/m) – Limit (dBUV/m).
4. The measurement distance is 3m, the distance of Actual FS is convert to 30m.

9kHz ~ 30MHz

Operation Mode: TX mode **Test Date:** February 9, 2023
Temperature: 22.8°C **Tested by:** Tony Chao
Humidity: 61 % RH **Polarity:** Horizontal



Freq. MHz	Detector Mode PK/QP/AV	Spectrum Read Level @3m dBμV	Factor @3m dB	Actual FS @3m dBμV/m	Factor @30m&300m dB	Actual FS @30m&300m dBμV/m	Limit dBμV/m	Margin dB
0.55	Peak	35.97	13.49	49.46	-40.00	9.46	32.83	-23.36
5.59	Peak	33.47	14.27	47.74	-40.00	7.74	29.54	-21.80
7.07	Peak	26.43	14.55	40.97	-40.00	0.97	29.54	-28.57
19.61	Peak	15.17	15.29	30.46	-40.00	-9.54	29.54	-39.08
26.39	Peak	31.05	14.17	45.22	-40.00	5.22	29.54	-24.32
28.69	Peak	18.26	13.75	32.01	-40.00	-7.99	29.54	-37.53

Remark:

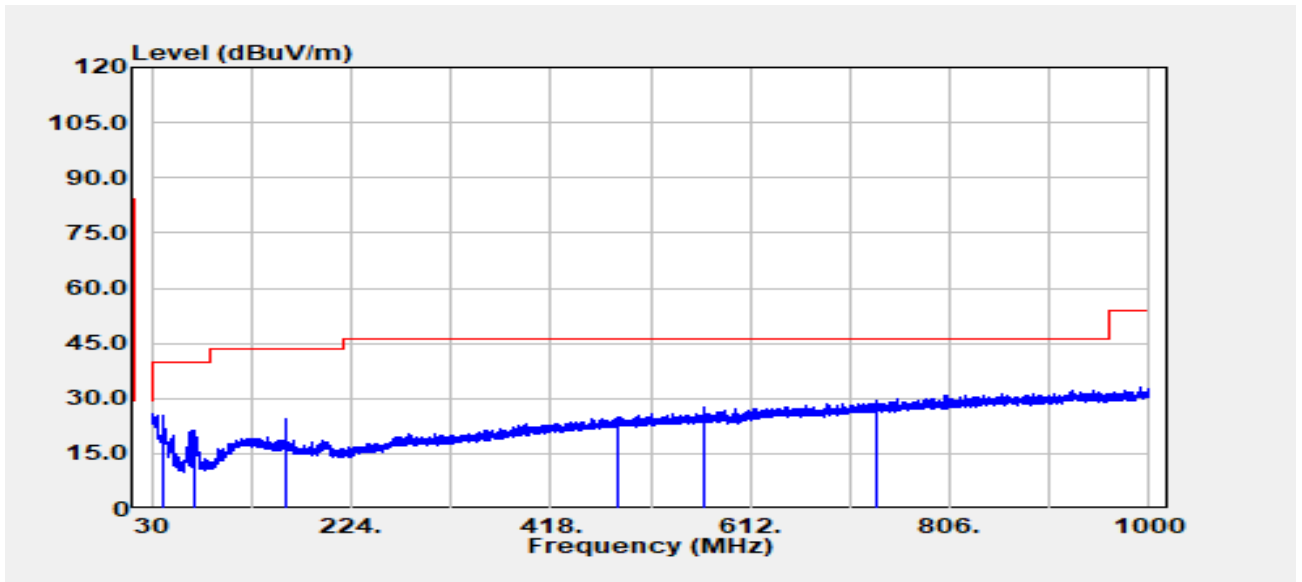
1. the measurement distance is 3m, the distance of Actual FS is convert to 30m or 300m.

30MHz ~ 1GHz

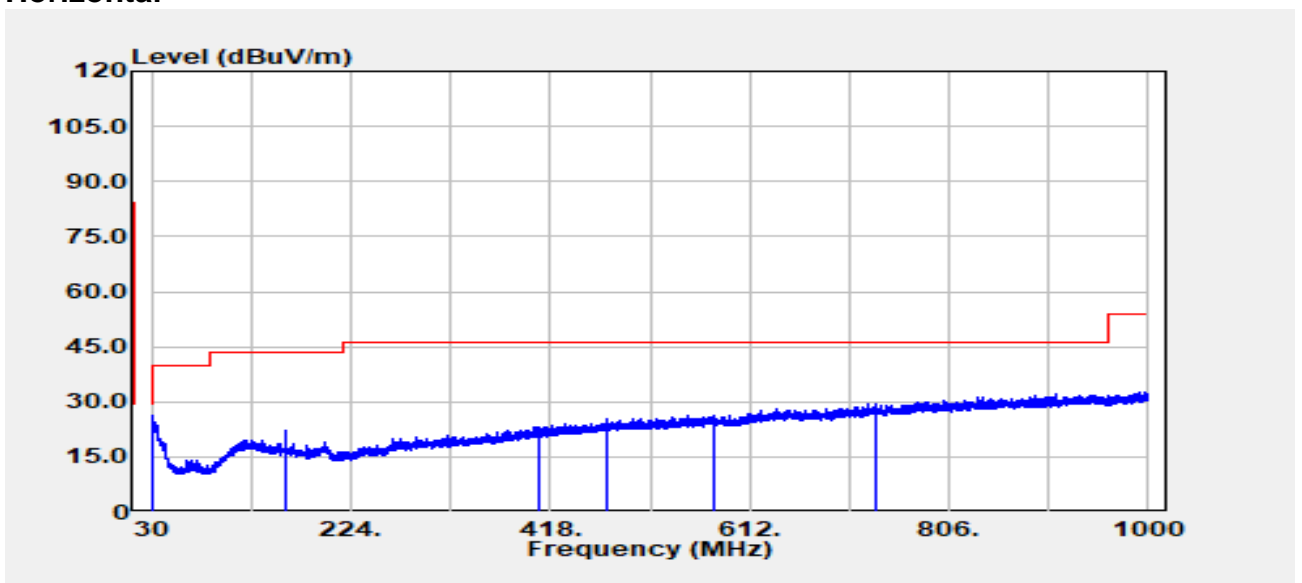
Operation Mode: TX mode **Test Date:** February 9, 2023
Temperature: 22.8°C **Tested by:** Tony Chao
Humidity: 61 % RH **Polarity:** Ver. / Hor.

Freq. MHz	Detector Mode PK/QP/AV	Spectrum Reading Level dBµV	Factor dB	Actual FS dBµV/m	Limit @3m dBµV/m	Margin dB	Polarity
40.67	Peak	36.12	-10.56	25.56	40.00	-14.44	V
72.56	Peak	36.89	-15.64	21.25	40.00	-18.75	V
159.98	Peak	35.30	-10.83	24.47	43.50	-19.03	V
482.26	Peak	28.77	-3.81	24.96	46.00	-21.04	V
567.62	Peak	29.91	-2.46	27.45	46.00	-18.55	V
735.19	Peak	29.22	0.27	29.49	46.00	-16.51	V
31.33	Peak	30.18	-3.85	26.32	40.00	-13.68	H
159.98	Peak	32.98	-10.83	22.15	43.50	-21.35	H
407.21	Peak	29.05	-5.73	23.31	46.00	-22.69	H
473.17	Peak	29.22	-4.02	25.19	46.00	-20.81	H
577.20	Peak	28.77	-2.44	26.33	46.00	-19.67	H
733.61	Peak	29.31	0.24	29.55	46.00	-16.45	H

Vertical



Horizontal



7.3 FREQUENCY STABILITY

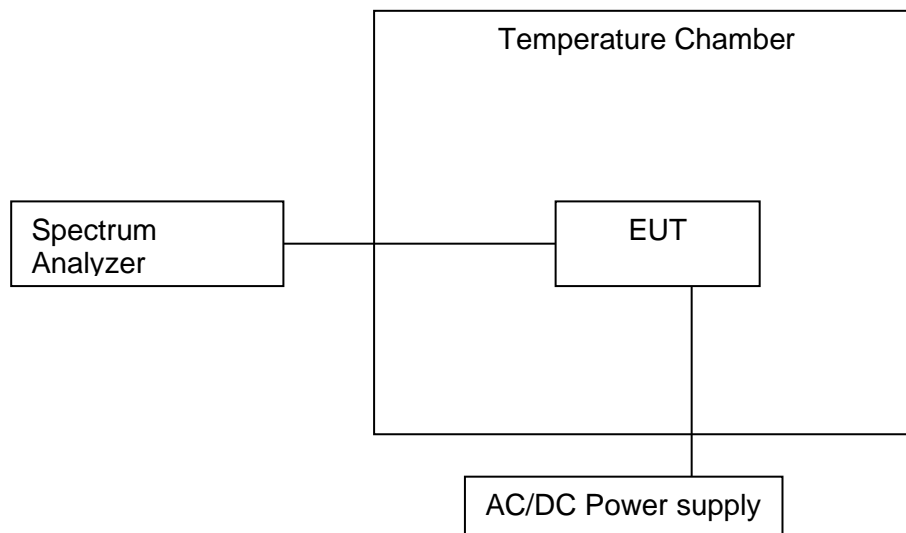
LIMIT

According to §15.225(e),

The frequency tolerance of the carrier signal shall be maintained within +/- 0.01% of the operating frequency over a temperature variation of -20 degrees to +50 degrees C at normal supply voltage, and for a variation in the primary supply voltage from 85% to 115% of the rated supply voltage at a temperature of 20 degrees C. For battery operated equipment, the equipment tests shall be performed using a new battery.

Test Configuration

Temperature and Voltage Measurement (under normal and extreme test conditions)



TEST PROCEDURE

1. Turn the EUT off, and place it inside the environmental temperature chamber.
2. Set the temperature control on the chamber to the highest specified in the regulatory requirements for the type of device and allow the oscillator heater and the chamber temperature to stabilize.
3. Set the spectrum analyzer as RBW=1kHz, VBW = RBW, Span = 200kHz, Sweep = auto.
4. Turn the EUT on and record the operating frequency at startup and two, five, and ten minutes after the EUT is energized.
5. Switch off the EUT and Lower the chamber temperature by not more than 10 °C and allow the temperature inside the chamber to stabilize.
6. Mark the peak frequency and measure the frequency tolerance using frequency counter function.
7. Repeat step 4 through step 6 down to the lowest specified temperature.

TEST RESULTS

No non-compliance noted.

Temperature: 21.8°C

Humidity: 68% RH

Tested by: Marco Chan

Test Date: February 7, 2023

TEST DATA

Startup				
A. Temperature Variation				
Power Supply	Environment	Frequency	Delta (kHz)	Limit (kHz)
Vdc	Temperature (°C)	(MHz)		
6	-20	13.5600096	0.08460	+/- 1.356
6	-10	13.5599925	0.06750	+/- 1.356
6	0	13.5599962	0.07120	+/- 1.356
6	10	13.5599903	0.06530	+/- 1.356
6	20	13.5599250	0.00000	+/- 1.356
6	30	13.5600015	0.07650	+/- 1.356
6	40	13.5599945	0.06950	+/- 1.356
6	50	13.5599945	0.06950	+/- 1.356
6	60	13.5599911	0.06610	+/- 1.356
B. Supply Voltage Variation				
Power Supply	Environment	Frequency	Delta (kHz)	Limit (kHz)
Vdc	Temperature (°C)	(MHz)		
6.9	20	13.5600060	0.08100	+/- 1.356
6	20	13.5599250	0.00000	+/- 1.356
5.1	20	13.5600036	0.07860	+/- 1.356

2 minutes				
A. Temperature Variation				
Power Supply	Environment	Frequency	Delta (kHz)	Limit (kHz)
Vdc	Temperature (°C)	(MHz)		
6	-20	13.5600032	-0.00420	+/- 1.356
6	-10	13.5600015	-0.00590	+/- 1.356
6	0	13.5600084	0.00100	+/- 1.356
6	10	13.5600075	0.00010	+/- 1.356
6	20	13.5600074	0.00000	+/- 1.356
6	30	13.5599993	-0.00810	+/- 1.356
6	40	13.5600039	-0.00350	+/- 1.356
6	50	13.5600048	-0.00260	+/- 1.356
6	60	13.5600026	-0.00480	+/- 1.356
B. Supply Voltage Variation				
Power Supply	Environment	Frequency	Delta (kHz)	Limit (kHz)
Vdc	Temperature (°C)	(MHz)		
6.9	20	13.5600098	0.00240	+/- 1.356
6	20	13.5600074	0.00000	+/- 1.356
5.1	20	13.5600058	-0.00160	+/- 1.356

5 minutes				
A. Temperature Variation				
Power Supply	Environment	Frequency	Delta (kHz)	Limit (kHz)
Vdc	Temperature (°C)	(MHz)		
6	-20	13.5600025	0.00650	+/- 1.356
6	-10	13.5600085	0.01250	+/- 1.356
6	0	13.5599934	-0.00260	+/- 1.356
6	10	13.5599908	-0.00520	+/- 1.356
6	20	13.5599960	0.00000	+/- 1.356
6	30	13.5599995	0.00350	+/- 1.356
6	40	13.5599955	-0.00050	+/- 1.356
6	50	13.5599916	-0.00440	+/- 1.356
6	60	13.5600041	0.00810	+/- 1.356
B. Supply Voltage Variation				
Power Supply	Environment	Frequency	Delta (kHz)	Limit (kHz)
Vdc	Temperature (°C)	(MHz)		
6.9	20	13.5600042	0.00820	+/- 1.356
6	20	13.5599960	0.00000	+/- 1.356
5.1	20	13.5600050	0.00900	+/- 1.356

10 minutes				
A. Temperature Variation				
Power Supply	Environment	Frequency	Delta (kHz)	Limit (kHz)
Vdc	Temperature (°C)	(MHz)		
6	-20	13.5599942	-0.00450	+/- 1.356
6	-10	13.5600090	0.01030	+/- 1.356
6	0	13.5600074	0.00870	+/- 1.356
6	10	13.5600072	0.00850	+/- 1.356
6	20	13.5599987	0.00000	+/- 1.356
6	30	13.5600062	0.00750	+/- 1.356
6	40	13.5599987	0.00000	+/- 1.356
6	50	13.5599932	-0.00550	+/- 1.356
6	60	13.5599982	-0.00050	+/- 1.356
B. Supply Voltage Variation				
Power Supply	Environment	Frequency	Delta (kHz)	Limit (kHz)
Vdc	Temperature (°C)	(MHz)		
6.9	20	13.5600071	0.00840	+/- 1.356
6	20	13.5599987	0.00000	+/- 1.356
5.1	20	13.5599932	-0.00550	+/- 1.356

7.4 POWERLINE CONDUCTED EMISSIONS

LIMIT

According to §15.207(a), for an intentional radiator that is designed to be connected to the public utility (AC) power line, the radio frequency voltage that is conducted back onto the AC power line on any frequency or frequencies within the band 150 kHz to 30 MHz shall not exceed the limits in the following table, as measured using a 50 μ H/50 ohms line impedance stabilization network (LISN). Compliance with the provisions of this paragraph shall be based on the measurement of the radio frequency voltage between each power line and ground at the power terminal. The lower limit applies at the boundary between the frequency ranges.

Frequency Range (MHz)	Limits (dB μ V)	
	Quasi-peak	Average
0.15 to 0.50	66 to 56*	56 to 46*
0.50 to 5	56	46
5 to 30	60	50

* Decreases with the logarithm of the frequency.

TEST PROCEDURE

1. The EUT was placed on a table, which is 0.8m above ground plane.
2. Maximum procedure was performed on the six highest emissions to ensure EUT compliance.
3. Repeat above procedures until all frequency measured were complete.

TEST RESULTS

Not applicable, because EUT not connect to AC Main Source direct.

- End of Test Report -