

# Camera Instructions

## QUICK START GUIDE



Before operating this unit, please read these instructions carefully, and save them for future use.

### About this product

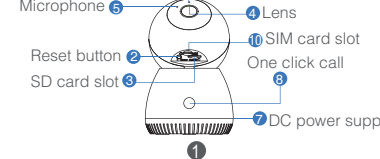
This manual is only a guide for related products and may differ from the actual product, please refer to the actual product. Due to product version upgrade or other needs, this manual may be updated without further notice!

### Interface description

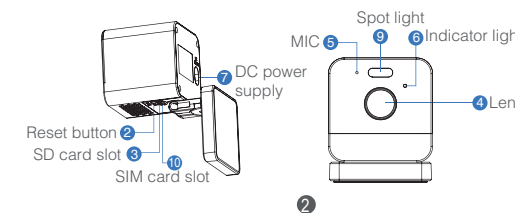
This manual is suitable for various types of cameras. (The appearance of the same series of products may be different, the details are subject to the purchase and receipt. This manual is only for the installation guidance of the same series of equipment, and the installation method of the same series of products is the same)

**Note:** Please use the original power adapter to connect the power supply.

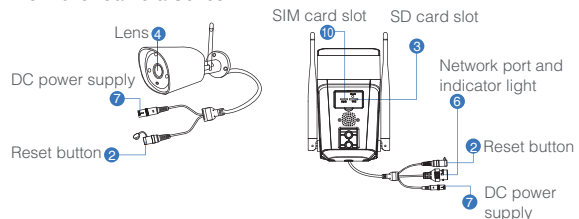
#### 1. Pan-Tilt Camera Series



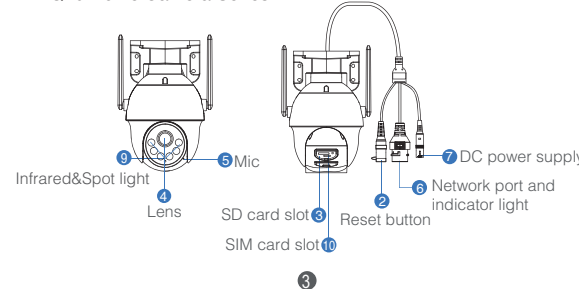
#### 2. Cube Camera



#### 3. Bullet Camera Series

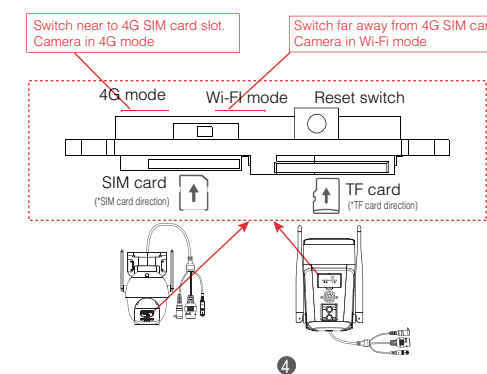


#### 4. Q20 Dome Camera Series

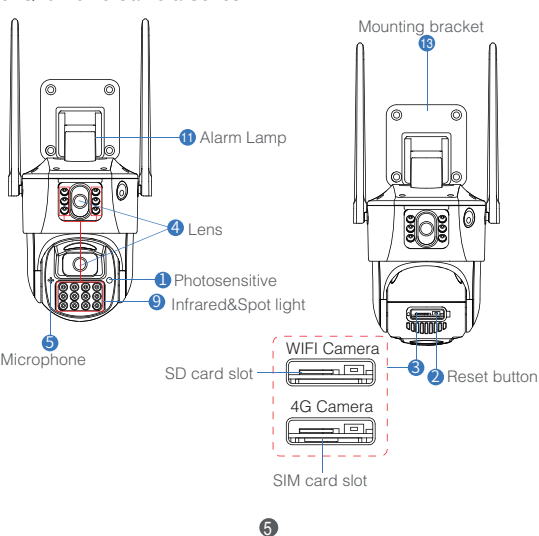


Before adding the device, please confirm the status of the device's WIFI / 4G dial switch. When the dial switch is set to the side near the 4G card slot, it is 4G configuration mode; when the dial switch is set to be away from the 4G card slot, it is WIFI Configuration mode.

**Tip:** Switching the dial switch status needs to be performed when the device is powered off. WiFi mode is optional.



#### 5. Q40 Dome Camera Series



### Download "Eseecloud" client site

Use your mobile phone to scan the QR code below to download and install "Eseecloud", and follow the APP prompts to complete user registration.

**Note:** For iOS system, it requires iOS 9.0 version or above. For Android, Android 5.1 or above.

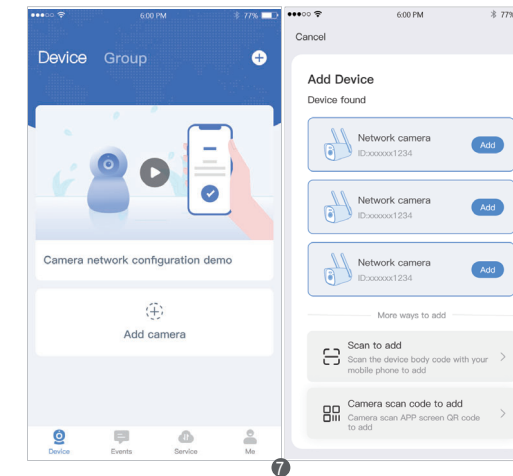


### Add device

#### (1). WIFI Camera:

Step 1: Please connect the device to the power supply to ensure that the device is powered on normally;  
Step 2: Log in to the "Eseecloud" APP, turn on the Bluetooth function of the mobile phone, and click the "+" add button on the interface to enter the automatic search device interface;

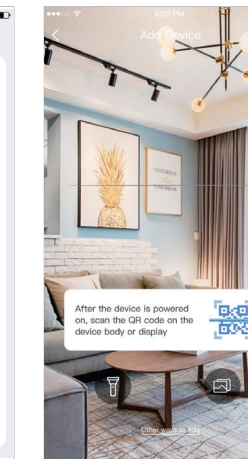
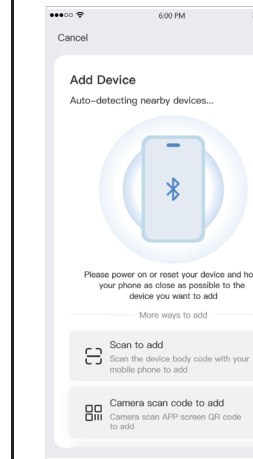
Step 3: Select the device you need to add, click the "Add" button on the right, and follow the interface guidance to add the device;



**Note:** If you do not find the device you want to add after waiting 10s on the Bluetooth search interface, please click "Scan to add" below to scan the QR code on the device body to add the device.

#### (2). 4G Camera:

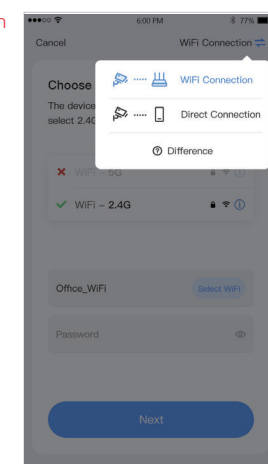
Step 1: Please connect the device to the power supply to ensure that the device is powered on normally;  
Step 2: On the automatic search interface, click "Scan to add" to enter the scan code interface;  
Step 3: Scan the QR code on the device body, and add the device according to the interface guidance.



### Note:

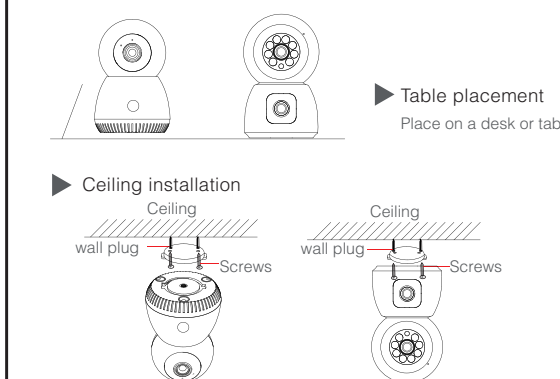
1.If you cannot find the QR code on the device body, please choose other adding methods according to the device type:  
(1).Insert the SIM card or connect the network cable to use the device, please click "Manual Add", enter the device ID to add the device;  
(2).For the device used to connect to the router WiFi, please click "Camera scan code to add" or "Camera hot spot add" to add the device according to the interface guidance;  
2.If the location where you install the camera cannot be connected to the Internet, please click the "WiFi Connection" button in the upper right corner of the WiFi selection interface, and switch to "Direct Connection" in the pop-up window.

**Note:** The local direct connection needs to be connected to the camera's own WiFi to preview the camera screen normally, it cannot be viewed remotely.



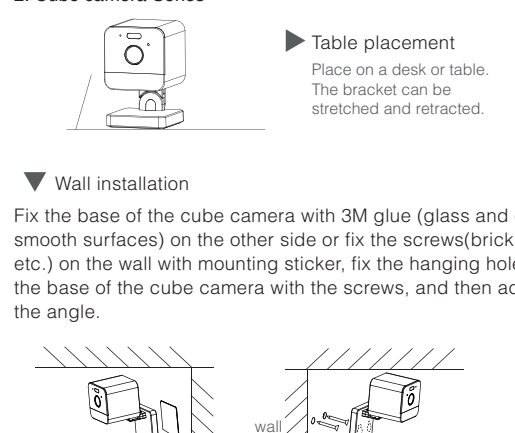
### Installation and placement

#### 1. Pan-tilt Camera Series



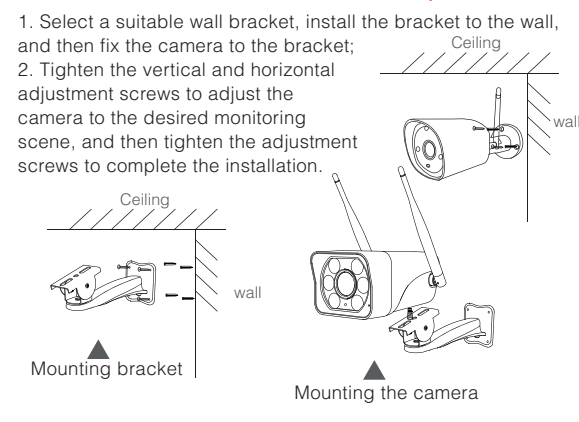
1. Insert the expansion plug into the ceiling and fix the bracketbase to the ceiling with screws;  
2. Install the device on the bracket.

#### 2. Cube camera Series



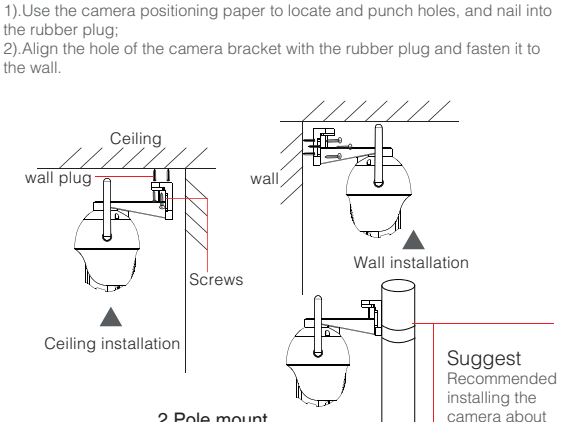
Fix the base of the cube camera with 3M glue (glass and other smooth surfaces) on the other side or fix the screws (brick wall, etc.) on the wall with mounting sticker, fix the hanging hole of the base of the cube camera with the screws, and then adjust the angle.

#### 3. Bullet Camera Series **Note:For outdoor use only!**



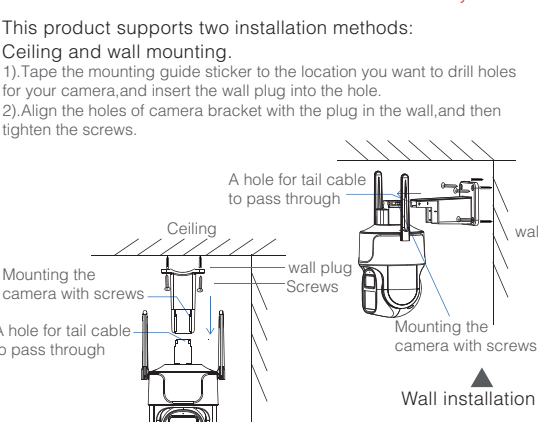
1. Select a suitable wall bracket, install the bracket to the wall, and then fix the camera to the bracket;  
2. Tighten the vertical and horizontal adjustment screws to adjust the camera to the desired monitoring scene, and then tighten the adjustment screws to complete the installation.

#### 4. Q20 Dome Camera Series **Note:For outdoor use only!**



This product supports three installation methods: ceiling, wall and pole.

#### 5. Q40 Dome Camera Series **Note:For outdoor use only!**



1. Ceiling installation/Wall installation  
1).Use the camera positioning paper to locate and punch holes, and nail into the rubber plug;  
2).Align the hole of the camera bracket with the rubber plug into the hole, and then align the holes of camera bracket with the plug in the wall, and then tighten the screws.

#### FCC Warning

This device complies with part 15 of the FCC rules. Operation is subject to the following two conditions:  
(1) this device may not cause harmful interference, and (2) this device must accept any interference received, including interference that may cause undesired operation.  
Changes or modifications not expressly approved by the party responsible for compliance could void the user's authority to operate the equipment.  
NOTE: This equipment has been tested and found to comply with the limits for a Class B digital device, pursuant to part 15 of the FCC Rules. These limits are designed to provide reasonable protection against harmful interference in a residential installation. This equipment generates uses and can radiate radio frequency energy and, if not installed and used in accordance with the instructions, may cause harmful interference to radio communications. However, there is no guarantee that interference will not occur in a particular installation. If this equipment does cause harmful interference to radio or television reception, which can be determined by

#### Radiation Exposure Statement

This equipment complies with FCC radiation exposure limits set forth for an uncontrolled environment. This equipment should be installed and operated with minimum distance 20cm between the radiator and your body.

### Warning

In case of fire or lightning, pls don't put product in damp and raining place, operate or maintain according to the user manual.

Be careful when you see attachment with a Dangerous Voltage which might cause serious electric accident.

**Warning**

To reduce electric shock, unprofessional people please don't open product front panel or rear panel

**Warning**

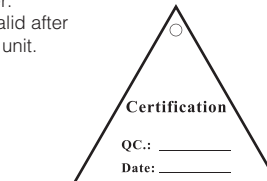
In case of electric shock and fire, pls don't use power supply beyond power list in user manual

**Notice:**

1. Ensure your equity, pls read the user manual carefully before you use the product
2. Pls contact professional people if you need install and maintain the product
3. Working Environment: temperature of -20°C~+60°C, relative humidity under 85%
4. Pls don't exceed the user manual's standard range of temperature, humidity and voltage.

### Attention

1. Product failure caused by the following conditions is not covered by the warranty:  
A. Product failure due to accident, negligence, disaster, improper operation or mishandling;  
B. Improper use of the environment or conditions, such as power failure, ambient temperature, lightning strikes, etc., resulting in product failure; maintenance unit;  
C. Products that have been repaired by a non-factory authorized  
D. The products sell more than 12 months.  
2. When the user finds that the product appeared faulty, please contact the distributor or local service organization for technical service with the user registration card.  
3. When the user has any objection to the technical service provided by the distributor, he can complain to the manufacturer's customer support service center.  
4. The warranty card must be valid after being stamped by the warranty unit.



### Warranty card

User name: \_\_\_\_\_  
Address: \_\_\_\_\_  
Tel: \_\_\_\_\_ Fax: \_\_\_\_\_ E-mail: \_\_\_\_\_  
Product type (Model) : \_\_\_\_\_  
Product code (S/N) : \_\_\_\_\_  
Production date: \_\_\_\_\_ year \_\_\_\_\_ month \_\_\_\_\_ day  
Purchase date: \_\_\_\_\_ year \_\_\_\_\_ month \_\_\_\_\_ day  
Free warranty: \_\_\_\_\_ year

If you have any require, please write here:  
\_\_\_\_\_  
\_\_\_\_\_

Maintenance records:

Date	Fault phenomenon	Repair and serial number change