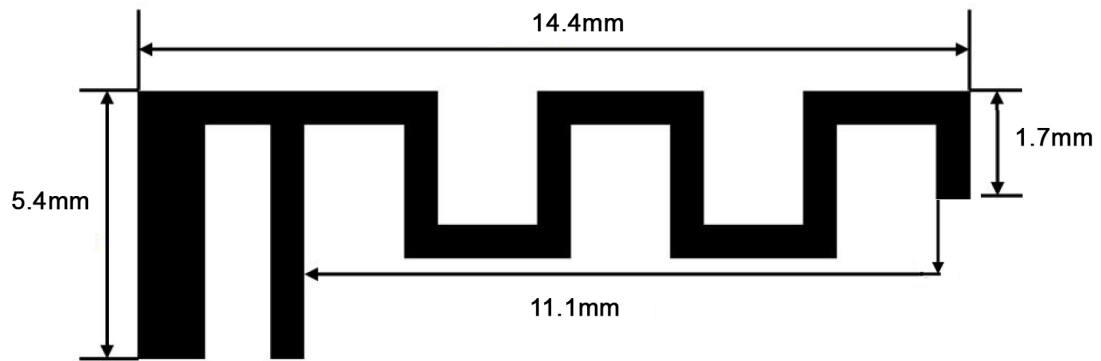


# Inverted F Antenna Specification

## Summary

| ITEM                 | ANT SPEC                        |         |         |          |         |         |
|----------------------|---------------------------------|---------|---------|----------|---------|---------|
| Model Name           | 2.4G ANT                        |         |         |          |         |         |
| Center Frequency     | Horizontal                      |         |         | Vertical |         |         |
|                      | 2400MHz                         | 2450MHz | 2500MHz | 2400MHz  | 2450MHz | 2500MHz |
|                      | -1.73                           | -0.84   | -0.68   | -6.15    | -3.70   | -2.32   |
| MAX. Gain            | -0.68                           |         |         |          |         |         |
| Polarization         | Horizontal and Vertical         |         |         |          |         |         |
| Azimuth Beam Pattern | Omni-directional                |         |         |          |         |         |
| Impedance            | 50 Ohm                          |         |         |          |         |         |
| Antenna Length       | 38.20mm                         |         |         |          |         |         |
| Manufacture          | ZHUHAI JIELI TECHNOLOGY CO.,LTD |         |         |          |         |         |

Antenna Photo & Length (mm)



Horizontal: 2400 MHz 2450 MHz 2500 MHz

Power (dBm)

Max: 0 Min: -40 Scale: 5/div



| Frequency<br>(MHz) | Gain(dB)  |          |          |
|--------------------|-----------|----------|----------|
|                    | Max       | Min      | Avg      |
| 2400               | -1.73178  | -30.0815 | -8.48713 |
| 2450               | -0.845801 | -38.5605 | -7.88012 |
| 2500               | -0.685586 | -24.0318 | -6.79139 |

Vertical: 2400 MHz 2450 MHz 2500 MHz

Power (dBm)

Max: 0 Min: -30 Scale: 5/div



| Frequency (MHz) | Gain(dB) |          |          |
|-----------------|----------|----------|----------|
|                 | Max      | Min      | Avg      |
| 2400            | -6.1530  | -24.1420 | -13.0295 |
| 2450            | -3.7054  | -26.5836 | -10.6700 |
| 2500            | -2.32122 | -30.4301 | -9.70536 |

ANT Test Labs: Attestation of Global Compliance Co., Ltd.