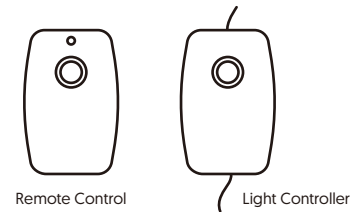
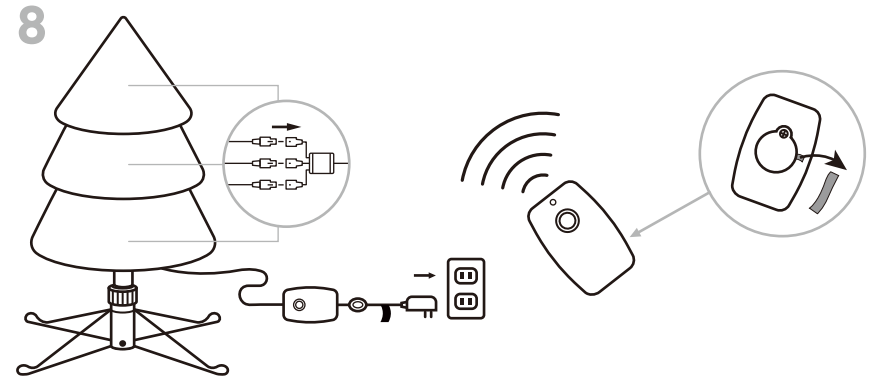
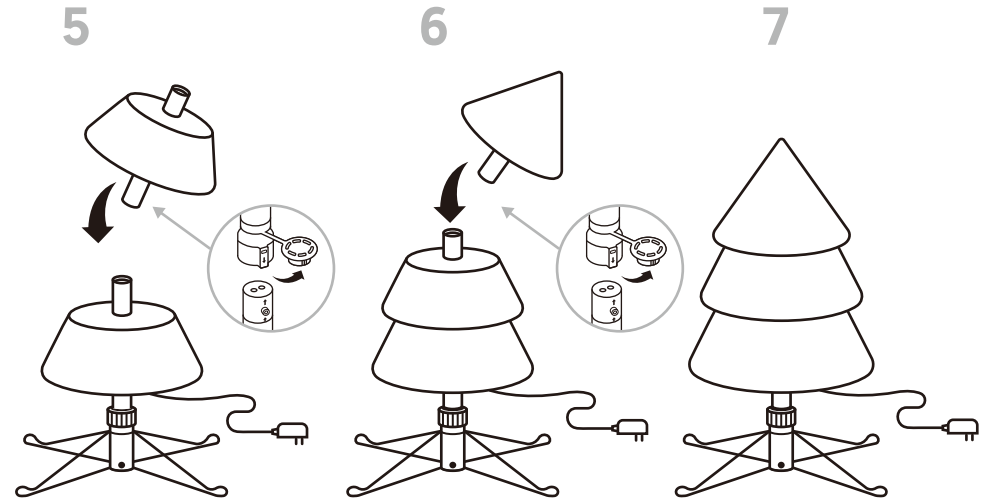
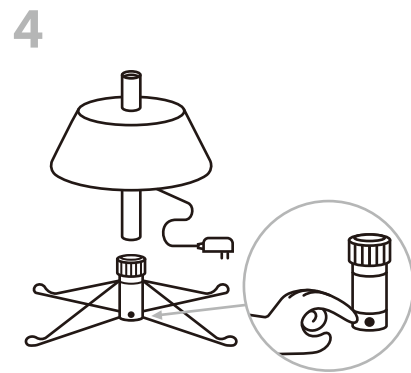
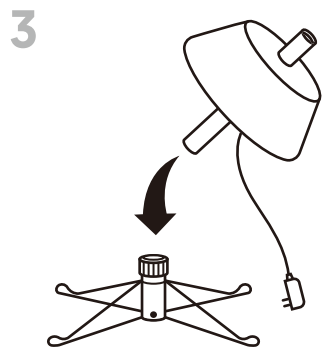
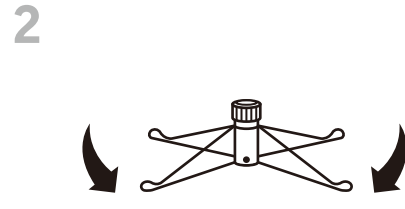
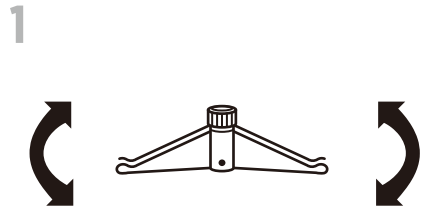
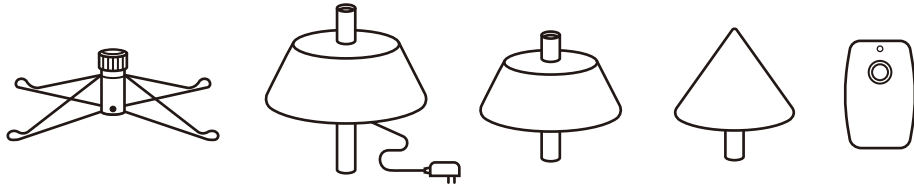


NEED HELP?

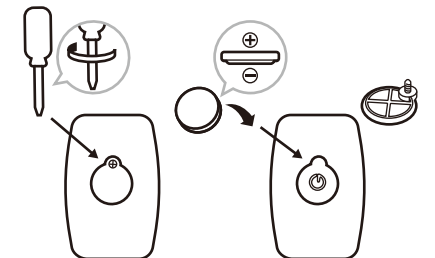
Do not return to store. Please visit us at:
www.polygroup.com or 1-888-919-0070

*Electrical Rating For The Tree
(For Indoor Use Only)
Input: 100-240V~ 50/60Hz, 0.6A
Output: 29V DC 0.83A



Selector button for 8 light functions:

- [1] CLEAR-MULTI: FADING
- [2] CLEAR: FADING
- [3] CLEAR-MULTI: ALTERNATING
- [4] CLEAR: STEADY
- [5] CLEAR-MULTI: SLOW FADING
- [6] MULTI: STEADY
- [7] MULTI: FADING
- [8] COMBINATION



⚠ WARNING

1. This product contains a CR on cell battery. If swallowed, it could cause severe injury or death in just 2 hours due to chemical burns and potential perforation of the oesophagus – seek medical attention immediately.
2. Small parts, keep batteries out of reach of children.
3. If you suspect your child has swallowed or inserted a button cell battery, immediately seek urgent medical assistance.
4. Make sure the battery compartment is correctly secured (e.g. the screw or other mechanical fastener is tightened), and do not use if the compartment is not secured.
5. Dispose of used button cell batteries immediately and safely. Flat batteries can still be dangerous.
6. Inform others about the risk associated with button cell batteries and how to keep their children safe.
7. Do not expose the lights to moisture.
8. Remove the batteries when the controllers are left unused, and are not expected to be used for an extended period of time, or when depleted.
9. Dispose of the used battery properly as per the directions on batteries, and local laws and regulations regarding the disposal of hazardous waste.
10. Clean the battery contact surfaces prior to battery installation.
11. Do not dispose of batteries in fire – batteries may leak or rupture.
12. Use only CR2032 button cell battery for remote controller.



DISPOSAL OF USED BATTERIES



Battery may contain hazardous substances which could endanger the environment and human health. This symbol marked on the battery and/ or packaging indicates that used battery shall not be treated as municipal waste. Batteries should be disposed of at an appropriate collection point for recycling. By ensuring the used batteries are disposed of correctly, you will help preventing potential negative consequences for the environment and human health. The recycling of materials will help to conserve natural resources. For more information about recycling of used batteries, please contact your local municipality waste disposal service.



Do not dispose of electrical appliances as unsorted municipal waste, use separate collection facilities. Contact your local government for information regarding the collection systems available. If electrical appliances are disposed of in landfills or dumps, hazardous substances can leak into the groundwater and get into the food chain, damaging your health and well-being.

Hereby, Polygroup declares that the Christmas Tree is in compliance with RED 2014/53/EU.

Frequency Range: 433.98MHz

RF-Output Power: -35.41dBm(For CE)

Manufacture: Polygroup Trading Limited

Address: Unit 606, 6th Floor, Fairmont House, No.8 Cotton Tree Drive, Central, Hong Kong

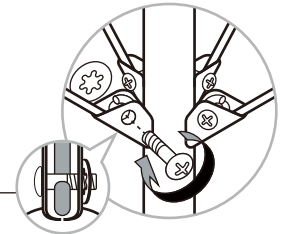
TROUBLESHOOTING TIPS

For pre-lit trees, if the tree does not illuminate

1. Check to make sure that all connectors are properly connected and the adapter is plugged firmly into the wall outlet.
2. Turn the poles gently to ensure pole-to-pole connection is secured.
3. Check for loose connection between light string plugs and extension cords.
4. Try stepping on the On/Off switch foot pedal.

Loose Hinge Pin

1. Extra hinge pins are included for repairing the hinges. Place the branch into the slot of the bracket.
2. Insert a new hinge pin through the hole and secure using the retainer washer.



STORAGE INSTRUCTIONS

1. Unplug adapter from the wall outlet first and then remove all ornaments and decorations.
2. Disassemble the tree from the top to the bottom. Start with the tree top and gently lift straight up to remove from section below and fold all branches toward the pole.
3. Continue by gently lifting straight up each section(s) from the section below and fold all branches toward the pole until the bottom section is removed from the tree stand. Cover the protective cap on the poles to avoid damaging the internal parts.
4. Carefully place all tree sections into shipping box and tape it shut.
5. When not in use, please store your tree in a cool, dry place away from sunlight. Exposing your tree to excessive heat or humidity may damage your tree.



CAUTION

1. To reduce the risk of fire and electric shock:
 - a) Use only the power supply that is provided with this product. Using a different adapter will damage the lights and may cause fire, or electrical shock hazards;
 - b) Do not install on trees that have needles, leaves or branches covering with metal or materials which look like metal;
 - c) Do not mount or support strings in a manner that can cut or damage wire insulation.
2. The light source of this luminaire is not replaceable; when the light source reaches its end of life the whole luminaire shall be replaced.
3. Do not connect the chain to the supply while it is in the packing.
4. The lamps are not replaceable.
5. Do not interconnect parts of this lighting chain with parts of another manufacturer's lighting chain.
6. Interconnection shall be made only by the use of the supplied connectors. Any open ends must be sealed-off before use.

SPARE PARTS

Each tree includes hinge pins/washers.

If extra parts are needed, please contact our customer service center at

www.polygroup.com or 1-888-919-0070.

FCC Caution:

Any Changes or modifications not expressly approved by the party responsible for compliance could void the user's authority to operate the equipment.

This device complies with part 15 of the FCC Rules. Operation is subject to the following two conditions: (1) This device may not cause harmful interference, and (2) this device must accept any interference received, including interference that may cause undesired operation.

IMPORTANT NOTE:

Note: This equipment has been tested and found to comply with the limits for a Class B digital device, pursuant to part 15 of the FCC Rules. These limits are designed to provide reasonable protection against harmful interference in a residential installation. This equipment generates, uses and can radiate radio frequency energy and, if not installed and used in accordance with the instructions, may cause harmful interference to radio communications. However, there is no guarantee that interference will not occur in a particular installation. If this equipment does cause harmful interference to radio or television reception, which can be determined by turning the equipment off and on, the user is encouraged to try to correct the interference by one or more of the following measures:

- Reorient or relocate the receiving antenna.
- Increase the separation between the equipment and receiver.
- Connect the equipment into an outlet on a circuit different from that to which the receiver is connected.
- Consult the dealer or an experienced radio/TV technician for help.

ISED Warning

This device complies with Innovation, Science, and Economic Development Canada licence-exempt RSS standard(s). Operation is subject to the following two conditions:

- (1) this device may not cause interference, and
- (2) this device must accept any interference, including interference that may cause undesired operation of the device.

Le présent appareil est conforme aux CNR d'Innovation, Sciences et Développement économique Canada applicables aux appareils radio exempts de licence. L'exploitation est autorisée aux deux conditions suivantes :

- (1) l'appareil ne doit pas produire de brouillage, et
- (2) l'utilisateur de l'appareil doit accepter tout brouillage radioélectrique subi, même si le brouillage est susceptible d'en compromettre le fonctionnement.

The device is compliance with RF exposure guidelines, users can obtain Canadian information on RF exposure and compliance.

Le présent appareil est conforme Après examen de ce matériel aux conformité ou aux limites d'intensité de champ RF, les utilisateurs peuvent sur l'exposition aux radiofréquences et la conformité and compliance d'acquérir les informations correspondantes.