

S

T

S

L

A

B



RADIO TEST REPORT

Report No.: STS2207329W01

Issued for

Whoop International Trading Limited

Flat-B 8/F Chong Gming Building 72 Cheung Sha Wan Road,
Kowloon Hong Kong, China

Product Name:	8 inch Quad Core 4G Tablet PC
Brand Name:	WHOOOP
Model Name:	TAB-8US2
Series Model:	N/A
FCC ID:	2AP7LTAB8US2
Test Standard:	FCC Part 22H and 24E, 27

Any reproduction of this document must be done in full. No single part of this document may be reproduced without permission from STS, all test data presented in this report is only applicable to presented test sample.

Shenzhen STS Test Services Co., Ltd.
A 1/F, Building B, Zhuoke Science Park, No.190 Chongqing Road, HepingShequ,
Fuyong Sub-District, Bao'an District, Shenzhen, Guang Dong, China
TEL: +86-755 3688 6288 FAX: +86-755 3688 6277 E-mail:sts@stsapp.com





TEST RESULT CERTIFICATION

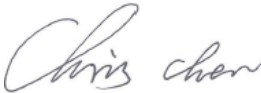
Applicant's Name: Whoop International Trading Limited
 Address: Flat-B 8/F Chong Gming Building 72 Cheung Sha Wan Road, Kowloon Hong Kong, China
 Manufacturer's Name: Shenzhen Teleone Technology Co.,Ltd
 Address: Tower B 5/F, Shanshui Building, Nanshan Yungu Innovation Industry Park, 4093 Liuxian Avenue, Shenzhen, China

Product Description


Product Name: 8 inch Quad Core 4G Tablet PC
 Brand Name: WHOOP
 Model Name: TAB-8US2
 Series Model: N/A
 Test Standards: FCC Part 22H and 24E, 27
 Test Procedure: KDB 971168 D01 v03r01,ANSI C63.26(2015)

This device described above has been tested by STS, the test results show that the equipment under test (EUT) is in compliance with the FCC requirements. And it is applicable only to the tested sample identified in the report.
 This report shall not be reproduced except in full, without the written approval of STS, this document may be altered or revised by STS, personal only, and shall be noted in the revision of the document..

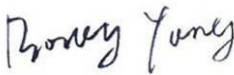
Date of Test.....:
 Date of receipt of test item.....: 29 July 2022
 Date (s) of performance of tests.: 29 July 2022 ~ 15 Aug. 2022
 Date of Issue: 15 Aug. 2022
 Test Result: Pass

Testing Engineer : 

 (Chris Chen)

Technical Manager : 

 (Sean she)

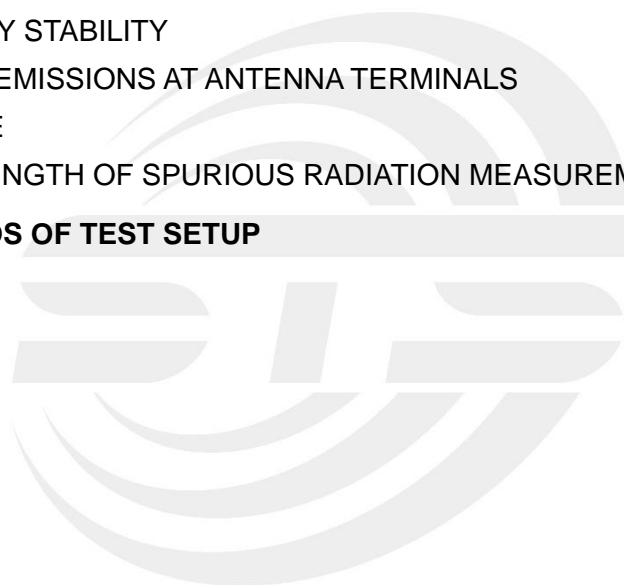
Authorized Signatory : 

 (Bovey Yang)





Table of Contents	Page
1 INTRODUCTION	6
1.1 TEST FACTORY	6
1.2 MEASUREMENT UNCERTAINTY	6
2 PRODUCT INFORMATION	7
3 TEST CONFIGURATION OF EQUIPMENT UNDER TEST	9
4 MEASUREMENT INSTRUMENTS	10
5 TEST ITEMS	11
5.1 CONDUCTED OUTPUT POWER&TRANSMITTER RADIATED POWER	11
5.2 PEAK TO AVERAGE RATIO	17
5.4 FREQUENCY STABILITY	18
5.5 SPURIOUS EMISSIONS AT ANTENNA TERMINALS	24
5.6 BAND EDGE	25
5.7 FIELD STRENGTH OF SPURIOUS RADIATION MEASUREMENT	26
APPENDIX-PHOTOS OF TEST SETUP	43





Revision History

Rev.	Issue Date	Report NO.	Effect Page	Contents
00	15 Aug. 2022	STS2207329W01	ALL	Initial Issue





SUMMARY OF TEST RESULTS

Test procedures according to the technical standards:

The radiated emission testing was performed according to the procedures of KDB 971168 D01 v03r01 and ANSI C63.26(2015)

FCC Rules	Test Description	Test Limit	Test Result	Reference
2.1046	Conducted Output Power	Reporting Only	PASS	
22.913d 24.232d	Peak-to-Average Ratio	< 13 dB	PASS	
2.1046 22.913 24.232 27.50	Effective Radiated Power/Equivalent Isotropic Radiated Power	< 7 Watts max. ERP(Part 22) < 2 Watts max. EIRP(Part 24) <1 Watts max. EIRP(Part 27)	PASS	
2.1049 22.917 24.238 27.53	Occupied Bandwidth	Reporting Only	PASS	
2.1055 22.355 24.235 27.54	Frequency Stability	< 2.5 ppm (Part 22) Emission must remain in band (Part 24) Emission must remain in band (Part 27)	PASS	
2.1051 22.917 24.238 27.53	Spurious Emission at Antenna Terminals	< 43+10log10(P[Watts])	PASS	
2.1053 22.917 24.238 27.53	Field Strength of Spurious Radiation	< 43+10log10(P[Watts])	PASS	
2.1051 22.917 24.238 27.53	Band Edge	< 43+10log10(P[Watts])	PASS	



1 INTRODUCTION

1.1 TEST FACTORY

SHENZHEN STS TEST SERVICES CO., LTD

Add. : A 1/F, Building B, Zhuoke Science Park, No.190 Chongqing Road, HepingShequ, Fuyong Sub-District, Bao'an District, Shenzhen, Guang Dong, China

FCC test Firm Registration Number: 625569

IC test Firm Registration Number: 12108A

A2LA Certificate No.: 4338.01

1.2 MEASUREMENT UNCERTAINTY

The measurement uncertainties shown below were calculated in accordance with the requirements of ANSI C63.4-2014. All measurement uncertainty values are shown with a coverage factor of $k = 2$ to indicate a 95% level of confidence. The measurement data shown herein meets or exceeds the CISPR measurement uncertainty values specified in CISPR 16-4-2 and, thus, can be compared directly to specified limits to determine compliance.

No.	Item	Uncertainty
1	RF output power, conducted	± 0.87 dB
2	Unwanted Emissions, conducted	± 2.895 dB
3	All emissions, radiated 9K-30MHz	± 3.80 dB
4	All emissions, radiated 30M-1GHz	± 4.09 dB
5	All emissions, radiated 1G-6GHz	± 4.92 dB
6	All emissions, radiated >6G	± 5.49 dB
7	Conducted Emission (9KHz-30MHz)	± 2.73 dB

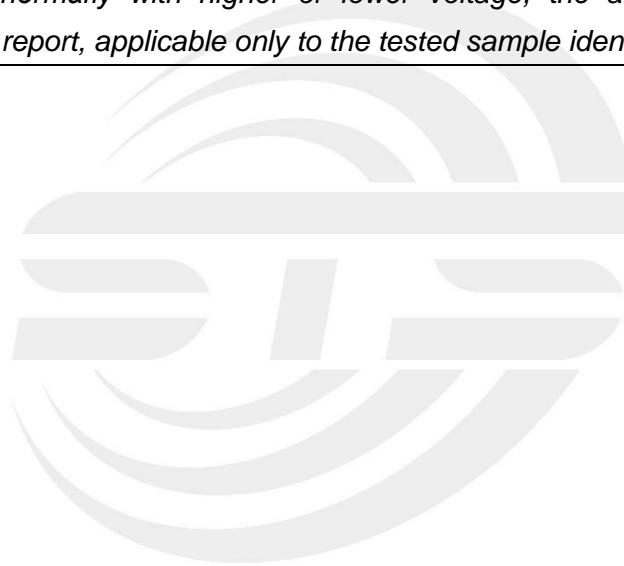


2 PRODUCT INFORMATION

Product Name	8 inch Quad Core 4G Tablet PC
Trade Name	WHOOOP
Model Name	TAB-8US2
Series Model	N/A
Model Difference	N/A
Tx Frequency:	GSM/GPRS/EDGE: 850: 824 MHz ~ 849MHz 1900: 1850 MHz ~ 1910MHz WCDMA: Band V: 824 MHz ~ 849 MHz Band II: 1850 MHz ~ 1910 MHz Band IV: 1710 MHz ~ 1755 MHz
Rx Frequency:	GSM/GPRS/EDGE: 850: 869 MHz ~ 894 MHz 1900: 1930 MHz ~ 1990MHz WCDMA: Band V: 869 MHz ~ 894 MHz Band II: 1930 MHz ~ 1990 MHz Band IV: 2110 MHz ~ 2155 MHz
Max RF Output Power:	GSM850:32.57dBm, PCS1900:30.33dBm GPRS850(1-Slot):32.45dBm, GPRS1900(1-Slot):29.93dBm GPRS850(2-Slot):31.98dBm, GPRS1900(2-Slot):29.50dBm GPRS850(3-Slot):31.48dBm, GPRS1900(3-Slot):29.06dBm GPRS850(4-Slot):31.07dBm, GPRS1900(4-Slot):28.62dBm EDGE 850(1-Slot):32.35dBm, EDGE 1900(1-Slot):30.23dBm EDGE 850(2-Slot):31.63dBm, EDGE 1900(2-Slot):29.46dBm EDGE 850(3-Slot):30.89dBm, EDGE 1900(3-Slot):28.75dBm EDGE 850(4-Slot):30.10dBm, EDGE 1900(4-Slot):28.05dBm WCDMA Band V:23.54dBm, WCDMA Band II:23.81dBm WCDMA Band IV:22.75dBm
Type of Emission:	GSM(850): 242KGXW; PCS(1900): 246KGXW GPRS(850): 249KGXW; GPRS(1900): 246KGXW EDGE(850): 250KG7W; EDGE(1900): 248KG7W WCDMA850: 4M18F9W WCDMA1900: 4M18F9W WCDMA1700: 4M18F9W
Modulation Characteristics:	GMSK for GSM/GPRS; GMSK and 8PSK for EDGE WCDMA: QPSK; HSDPA:QPSK/16QAM; HSUPA:BPSK
SIM Card:	Only support single SIM Card.
Antenna:	PIFA
Antenna gain:	GSM 850: -0.20dBi ,PCS 1900:-0.87dBi, WCDMA 850: -0.20dBi, WCDMA1900: 0.87dBi, WCDMA1700: 1.70dBi



Battery parameter:	Rated Voltage:3.8V Charge Limit Voltage:4.35V Capacity: 4000mAh
Adapter:	Input: AC 100-240V, 50-60Hz, 0.35A Output: DC 5V 1.5A
GPRS/EDGE Class:	Multi-Class12
Extreme Vol. Limits:	DC 3.4V~ DC 4.35V(Normal: DC 3.8V)
Extreme Temp. Tolerance:	-10°C to +45°C
Hardware version number:	J865_610&310_D3EF_V1.1
Software version number:	WHOOB_TAB-8US2_11_V03_20220829
<p><i>** Note: The High Voltage 4.35V and Low Voltage 3.4V was declared by manufacturer, The EUT couldn't be operate normally with higher or lower voltage, the antenna information refer the manufacturer provide report, applicable only to the tested sample identified in the report.</i></p>	





3 TEST CONFIGURATION OF EQUIPMENT UNDER TEST

Antenna port conducted and radiated test items were performed according to KDB 971168 D01 and ANSI C63.26 2015 Power Meas. License Digital Systems with maximum output power.

Radiated measurements were performed with rotating EUT in different three orthogonal test planes to find the maximum emission.

Radiated emissions were investigated as following frequency range:

1. 30 MHz to 10th harmonic for GSM850 and WCDMA Band V.
2. 30 MHz to 10th harmonic for WCDMA Band IV.
3. 30 MHz to 10th harmonic for GSM1900 and WCDMA Band II.

All modes and data rates and positions were investigated.

Test modes are chosen to be reported as the worst case configuration below:

BAND	TEST MODES	
	RADIATED TCS	CONDUCTED TCS
GSM 850	GSM LINK GPRS/EDGE CLASS 12 LINK	GSM LINK GPRS/EDGE CLASS 12 LINK
GSM 1900	GSM LINK GPRS/EDGE CLASS 12 LINK	GSM LINK GPRS/EDGE CLASS 12 LINK
WCDMA BAND V	RMC 12.2KBPS LINK	RMC 12.2KBPS LINK
WCDMA BAND II	RMC 12.2KBPS LINK	RMC 12.2KBPS LINK
WCDMA BAND IV	RMC 12.2KBPS LINK	RMC 12.2KBPS LINK



4 MEASUREMENT INSTRUMENTS

Radiation Test equipment

Kind of Equipment	Manufacturer	Type No.	Serial No.	Last calibration	Calibrated until
Test Receiver	R&S	ESCI	101427	2021.09.30	2022.09.29
Signal Analyzer	R&S	FSV 40-N	101823	2021.09.30	2022.09.29
Signal Generator	Agilent	83752A	3610A02740	2021.09.30	2022.09.29
Wireless Communications Test Set	R&S	CMW 500	131428	2022.03.01	2023.02.28
Bilog Antenna	TESEQ	CBL6111D	34678	2020.10.12	2022.10.11
Horn Antenna	SCHWARZBECK	BBHA 9120D	02014	2021.10.11	2023.10.10
Bilog Antenna	TESEQ	CBL6111D	45873	2020.10.12	2022.10.11
Horn Antenna	SCHWARZBECK	BBHA 9120D	9120D-1343	2020.10.12	2022.10.11
SHF-EHF Horn Antenna (18G-40GHz)	A-INFO	LB-180400-KF	J211020657	2020.10.12	2022.10.11
Pre-Amplifier (0.1M-3GHz)	EM	EM330	060665	2021.10.08	2022.10.07
Pre-Amplifier (1G-18GHz)	SKET	LNPA-01018G-45	SK2018080901	2021.09.30	2022.09.29
Pre-Amplifier (18G-40GHz)	SKET	LNPA-1840-50	SK2018101801	2021.09.28	2022.09.27
Turn table	EM	SC100_1	60531	N/A	N/A
Antenna mast	EM	SC100	N/A	N/A	N/A
Temperature & Humidity	HH660	Mieo	N/A	2021.10.09	2022.10.08
Test SW	BALUN	BL410-E/18.905			

RF Connected Test

Kind of Equipment	Manufacturer	Type No.	Serial No.	Last calibration	Calibrated until
Universal Radio communication tester	R&S	CMU200	111058	2021.09.29	2022.09.28
Wireless Communications Test Set	R&S	CMW 500	131428	2022.03.01	2023.02.28
Signal Analyzer	Agilent	N9020A	MY52440124	2022.03.01	2023.02.28
Temperature & Humidity test chamber	Safety test	AG80L	171200018	2022.03.01	2023.02.28
Programmable power supply	Agilent	E3642A	MY40002025	2021.10.08	2022.10.07
Temperature & Humidity	SW-108	SuWei	N/A	2022.03.02	2023.03.01
Test SW	FARAD	LZ-RF /LzRf-3A3			

Equipment with a calibration date of “NCR” shown in this list was not used to make direct calibrated measurements.

5 TEST ITEMS

5.1 CONDUCTED OUTPUT POWER&TRANSMITTER RADIATED POWER

TEST OVERVIEW

CONDUCTED OUTPUT POWER:

A system simulator was used to establish communication with the EUT. Its parameters were set to enforce EUT transmitting at the maximum power. The measured power in the radio frequency on the transmitter output terminals shall be reported.

TRANSMITTER RADIATED POWER (EIRP/ERP)

Determining ERP and/or EIRP from conducted RF output power measurements according to ANSI C63.26 2015 Section 5.2.5.5.

In many cases, RF output power limits are specified in terms of the ERP or the EIRP. Typically, ERP is specified when the operating frequency is less than or equal to 1 GHz and EIRP is specified when the operating frequency is greater than 1 GHz. Both are defined as the product of the power supplied to the antenna and its gain (relative to a dipole antenna in the case of ERP, and relative to an isotropic antenna in the case of EIRP); however, when working in decibels (i.e., logarithmic scale), the ERP and EIRP represent the sum of the transmit antenna gain (in dBd or dBi, respectively) and the conducted RF output power (expressed in dB relative to watts or milliwatts). The relevant equation for determining the maximum ERP or EIRP from the measured RF output power is given in Equation (1) as follows:

$$(1) \text{ ERP or EIRP} = \text{PMeas} + \text{GT}$$

$$\text{ERP} = \text{EIRP} - 2.15$$

where

ERP or EIRP effective radiated power or equivalent isotropically radiated power, respectively (expressed in the same units as PMeas, e.g., dBm or dBW)

PMeas measured transmitter output power or PSD, in dBm or dBW

GT gain of the transmitting antenna, in dBd (ERP) or dBi (EIRP)

For devices utilizing multiple antennas, see 6.4 for guidance with respect to determining the effective array transmit antenna gain term to be used in the above equation.

The following equations demonstrate the mathematical relationship between ERP and EIRP:

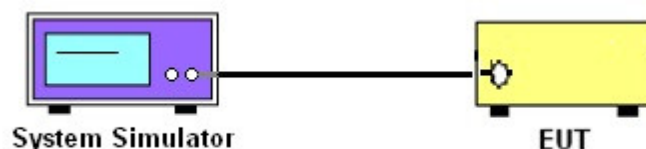
a) $\text{ERP} = \text{EIRP} - 2.15$, where ERP and EIRP are expressed in consistent units.

b) $\text{EIRP} = \text{ERP} + 2.15$, where ERP and EIRP are expressed in consistent units.

TEST PROCEDURES

1. The transmitter output port was connected to the system simulator.
2. Set eut at maximum power through the system simulator.
3. Select lowest, middle, and highest channels for each band and different modulation.
4. Measure and record the power level from the system simulator.

TEST SETUP



TEST RESULT

GSM 850							
Mode	Frequency (MHz)	Conduction AVG Power(dBm)	Ant Gain (dBi)	ERP (dBm)	ERP Limit (W)	ERP Limit (dBm)	Conclusion
GSM (GMSK,1-Slot)	824.2	32.34	-0.20	29.99	7.00	38.45	PASS
	836.6	32.57	-0.20	30.22	7.00	38.45	PASS
	848.8	32.49	-0.02	30.32	7.00	38.45	PASS
GPRS (GMSK,1-Slot)	824.2	32.32	-0.20	29.97	7.00	38.45	PASS
	836.6	32.45	-0.20	30.10	7.00	38.45	PASS
	848.8	32.37	-0.02	30.20	7.00	38.45	PASS
GPRS (GMSK,2-Slot)	824.2	31.82	-0.20	29.47	7.00	38.45	PASS
	836.6	31.98	-0.20	29.63	7.00	38.45	PASS
	848.8	31.90	-0.02	29.73	7.00	38.45	PASS
GPRS (GMSK,3-Slot)	824.2	31.41	-0.20	29.06	7.00	38.45	PASS
	836.6	31.48	-0.20	29.13	7.00	38.45	PASS
	848.8	31.46	-0.02	29.29	7.00	38.45	PASS
GPRS (GMSK,4-Slot)	824.2	31.00	-0.20	28.65	7.00	38.45	PASS
	836.6	31.07	-0.20	28.72	7.00	38.45	PASS
	848.8	31.06	-0.02	28.89	7.00	38.45	PASS
EGPRS (8PSK,1-Slot)	824.2	32.26	-0.20	29.91	7.00	38.45	PASS
	836.6	32.35	-0.20	30.00	7.00	38.45	PASS
	848.8	32.23	-0.02	30.06	7.00	38.45	PASS
EGPRS (8PSK,2-Slot)	824.2	31.51	-0.20	29.16	7.00	38.45	PASS
	836.6	31.63	-0.20	29.28	7.00	38.45	PASS
	848.8	31.49	-0.02	29.32	7.00	38.45	PASS
EGPRS (8PSK,3-Slot)	824.2	30.73	-0.20	28.38	7.00	38.45	PASS
	836.6	30.89	-0.20	28.54	7.00	38.45	PASS
	848.8	30.71	-0.02	28.54	7.00	38.45	PASS
EGPRS (8PSK,4-Slot)	824.2	29.96	-0.20	27.61	7.00	38.45	PASS
	836.6	30.10	-0.20	27.75	7.00	38.45	PASS
	848.8	29.97	-0.02	27.80	7.00	38.45	PASS



PCS 1900							
Mode	Frequency (MHz)	Conduction AVG Power(dBm)	Ant Gain (dBi)	EIRP (dBm)	EIRP Limit (W)	EIRP Limit (dBm)	Conclusion
GSM (GMSK,1-Slot)	1850.2	30.23	0.87	31.10	2.00	33.01	PASS
	1880.0	30.33	0.87	31.20	2.00	33.01	PASS
	1909.8	30.18	0.87	31.05	2.00	33.01	PASS
GPRS (GMSK,1-Slot)	1850.2	29.86	0.87	30.73	2.00	33.01	PASS
	1880.0	29.93	0.87	30.80	2.00	33.01	PASS
	1909.8	29.75	0.87	30.62	2.00	33.01	PASS
GPRS (GMSK,2-Slot)	1850.2	29.38	0.87	30.25	2.00	33.01	PASS
	1880.0	29.50	0.87	30.37	2.00	33.01	PASS
	1909.8	29.31	0.87	30.18	2.00	33.01	PASS
GPRS (GMSK,3-Slot)	1850.2	28.88	0.87	29.75	2.00	33.01	PASS
	1880.0	29.06	0.87	29.93	2.00	33.01	PASS
	1909.8	28.88	0.87	29.75	2.00	33.01	PASS
GPRS (GMSK,4-Slot)	1850.2	28.38	0.87	29.25	2.00	33.01	PASS
	1880.0	28.62	0.87	29.49	2.00	33.01	PASS
	1909.8	28.39	0.87	29.26	2.00	33.01	PASS
EGPRS (8PSK,1-Slot)	1850.2	30.12	0.87	30.99	2.00	33.01	PASS
	1880.0	30.23	0.87	31.10	2.00	33.01	PASS
	1909.8	30.09	0.87	30.96	2.00	33.01	PASS
EGPRS (8PSK,2-Slot)	1850.2	29.40	0.87	30.27	2.00	33.01	PASS
	1880.0	29.46	0.87	30.33	2.00	33.01	PASS
	1909.8	29.29	0.87	30.16	2.00	33.01	PASS
EGPRS (8PSK,3-Slot)	1850.2	28.67	0.87	29.54	2.00	33.01	PASS
	1880.0	28.75	0.87	29.62	2.00	33.01	PASS
	1909.8	28.56	0.87	29.43	2.00	33.01	PASS
EGPRS (8PSK,4-Slot)	1850.2	27.90	0.87	28.77	2.00	33.01	PASS
	1880.0	28.05	0.87	28.92	2.00	33.01	PASS
	1909.8	27.82	0.87	28.69	2.00	33.01	PASS



Radiated Power (EIRP) for WCDMA Band 2							
Mode	Frequency (MHz)	Conduction AVG Power(dBm)	Ant Gain (dBi)	EIRP (dBm)	EIRP Limit(W)	EIRP Limit (dBm)	Conclusion
WCDMA	1852.40	22.39	0.87	23.26	2.00	33.01	PASS
	1880.00	22.31	0.87	23.18	2.00	33.01	PASS
	1907.40	22.30	0.87	23.17	2.00	33.01	PASS
HSDPA Subtest 1	1852.40	21.17	0.87	22.04	2.00	33.01	PASS
	1880.00	21.10	0.87	21.97	2.00	33.01	PASS
	1907.40	21.13	0.87	22.00	2.00	33.01	PASS
HSDPA Subtest 2	1852.40	20.77	0.87	21.64	2.00	33.01	PASS
	1880.00	20.67	0.87	21.54	2.00	33.01	PASS
	1907.40	20.73	0.87	21.60	2.00	33.01	PASS
HSDPA Subtest 3	1852.40	20.42	0.87	21.29	2.00	33.01	PASS
	1880.00	20.26	0.87	21.13	2.00	33.01	PASS
	1907.40	20.28	0.87	21.15	2.00	33.01	PASS
HSDPA Subtest 4	1852.40	19.99	0.87	20.86	2.00	33.01	PASS
	1880.00	19.78	0.87	20.65	2.00	33.01	PASS
	1907.40	19.80	0.87	20.67	2.00	33.01	PASS
HSUPA Subtest 1	1852.40	21.00	0.87	21.87	2.00	33.01	PASS
	1880.00	20.97	0.87	21.84	2.00	33.01	PASS
	1907.40	20.91	0.87	21.78	2.00	33.01	PASS
HSUPA Subtest 2	1852.40	20.04	0.87	20.91	2.00	33.01	PASS
	1880.00	19.99	0.87	20.86	2.00	33.01	PASS
	1907.40	20.01	0.87	20.88	2.00	33.01	PASS
HSUPA Subtest 3	1852.40	19.94	0.87	20.81	2.00	33.01	PASS
	1880.00	19.55	0.87	20.42	2.00	33.01	PASS
	1907.40	19.59	0.87	20.46	2.00	33.01	PASS
HSUPA Subtest 4	1852.40	19.57	0.87	20.44	2.00	33.01	PASS
	1880.00	19.21	0.87	20.08	2.00	33.01	PASS
	1907.40	19.28	0.87	20.15	2.00	33.01	PASS
HSUPA Subtest 5	1852.40	18.10	0.87	18.97	2.00	33.01	PASS
	1880.00	17.77	0.87	18.64	2.00	33.01	PASS
	1907.40	17.80	0.87	18.67	2.00	33.01	PASS



Radiated Power (EIRP) for WCDMA Band 4							
Mode	Frequency (MHz)	Conduction AVG Power(dBm)	Ant Gain (dBi)	EIRP (dBm)	EIRP Limit(W)	EIRP Limit (dBm)	Conclusion
WCDMA	1712.60	22.57	1.70	24.27	1.00	30.00	PASS
	1740.00	22.61	1.70	24.31	1.00	30.00	PASS
	1752.40	22.53	1.70	24.23	1.00	30.00	PASS
HSDPA Subtest 1	1712.60	22.42	1.70	24.12	1.00	30.00	PASS
	1740.00	22.49	1.70	24.19	1.00	30.00	PASS
	1752.40	22.38	1.70	24.08	1.00	30.00	PASS
HSDPA Subtest 2	1712.60	21.97	1.70	23.67	1.00	30.00	PASS
	1740.00	22.01	1.70	23.71	1.00	30.00	PASS
	1752.40	21.88	1.70	23.58	1.00	30.00	PASS
HSDPA Subtest 3	1712.60	21.58	1.70	23.28	1.00	30.00	PASS
	1740.00	21.52	1.70	23.22	1.00	30.00	PASS
	1752.40	21.52	1.70	23.22	1.00	30.00	PASS
HSDPA Subtest 4	1712.60	21.22	1.70	22.92	1.00	30.00	PASS
	1740.00	21.22	1.70	22.92	1.00	30.00	PASS
	1752.40	21.03	1.70	22.73	1.00	30.00	PASS
HSUPA Subtest 1	1712.60	22.29	1.70	23.99	1.00	30.00	PASS
	1740.00	22.37	1.70	24.07	1.00	30.00	PASS
	1752.40	22.21	1.70	23.91	1.00	30.00	PASS
HSUPA Subtest 2	1712.60	21.41	1.70	23.11	1.00	30.00	PASS
	1740.00	21.41	1.70	23.11	1.00	30.00	PASS
	1752.40	21.28	1.70	22.98	1.00	30.00	PASS
HSUPA Subtest 3	1712.60	21.33	1.70	23.03	1.00	30.00	PASS
	1740.00	20.96	1.70	22.66	1.00	30.00	PASS
	1752.40	20.86	1.70	22.56	1.00	30.00	PASS
HSUPA Subtest 4	1712.60	21.00	1.70	22.70	1.00	30.00	PASS
	1740.00	20.52	1.70	22.22	1.00	30.00	PASS
	1752.40	20.55	1.70	22.25	1.00	30.00	PASS
HSUPA Subtest 5	1712.60	19.59	1.70	21.29	1.00	30.00	PASS
	1740.00	19.03	1.70	20.73	1.00	30.00	PASS
	1752.40	19.11	1.70	20.81	1.00	30.00	PASS



Radiated Power (ERP) for WCDMA Band 5							
Mode	Frequency (MHz)	Conduction AVG Power(dBm)	Ant Gain (dBi)	ERP (dBm)	ERP Limit(W)	ERP Limit (dBm)	Conclusion
WCDMA	826.40	22.31	-0.20	19.96	7.00	38.45	PASS
	836.60	22.37	-0.20	20.02	7.00	38.45	PASS
	846.40	22.47	-0.20	20.12	7.00	38.45	PASS
HSDPA Subtest 1	826.40	22.19	-0.20	19.84	7.00	38.45	PASS
	836.60	22.23	-0.20	19.88	7.00	38.45	PASS
	846.40	22.30	-0.20	19.95	7.00	38.45	PASS
HSDPA Subtest 2	826.40	21.76	-0.20	19.41	7.00	38.45	PASS
	836.60	21.77	-0.20	19.42	7.00	38.45	PASS
	846.40	21.81	-0.20	19.46	7.00	38.45	PASS
HSDPA Subtest 3	826.40	21.43	-0.20	19.08	7.00	38.45	PASS
	836.60	21.36	-0.20	19.01	7.00	38.45	PASS
	846.40	21.37	-0.20	19.02	7.00	38.45	PASS
HSDPA Subtest 4	826.40	21.08	-0.20	18.73	7.00	38.45	PASS
	836.60	21.00	-0.20	18.65	7.00	38.45	PASS
	846.40	20.88	-0.20	18.53	7.00	38.45	PASS
HSUPA Subtest 1	826.40	22.10	-0.20	19.75	7.00	38.45	PASS
	836.60	22.13	-0.20	19.78	7.00	38.45	PASS
	846.40	22.18	-0.20	19.83	7.00	38.45	PASS
HSUPA Subtest 2	826.40	21.24	-0.20	18.89	7.00	38.45	PASS
	836.60	21.16	-0.20	18.81	7.00	38.45	PASS
	846.40	21.26	-0.20	18.91	7.00	38.45	PASS
HSUPA Subtest 3	826.40	21.08	-0.20	18.73	7.00	38.45	PASS
	836.60	20.72	-0.20	18.37	7.00	38.45	PASS
	846.40	20.95	-0.20	18.60	7.00	38.45	PASS
HSUPA Subtest 4	826.40	20.62	-0.20	18.27	7.00	38.45	PASS
	836.60	20.36	-0.20	18.01	7.00	38.45	PASS
	846.40	20.46	-0.20	18.11	7.00	38.45	PASS
HSUPA Subtest 5	826.40	19.19	-0.20	16.84	7.00	38.45	PASS
	836.60	18.90	-0.20	16.55	7.00	38.45	PASS
	846.40	19.05	-0.20	16.70	7.00	38.45	PASS

5.2 PEAK TO AVERAGE RATIO

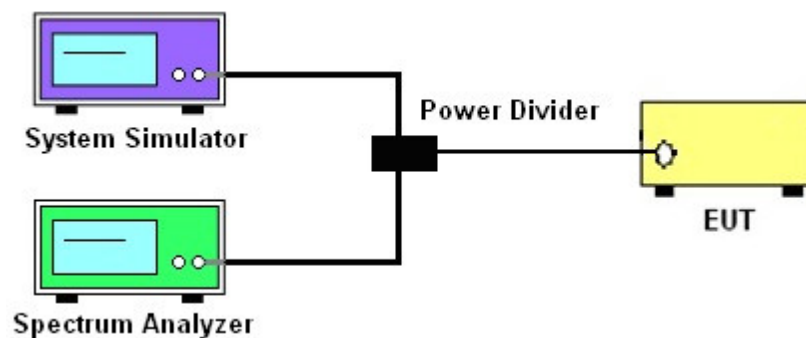
TEST OVERVIEW

According to §24.232(d), power measurements for transmissions by stations authorized under this section may be made either in accordance with a commission-approved average power technique or in compliance with paragraph (e) of this section. In both instances, equipment employed must be authorized in accordance with the provisions of §24.51. In measuring transmissions in this band using an average power technique, the peak-to-average ratio (PAR) of the transmission may not exceed 13 db.

TEST PROCEDURES

1. The testing follows FCC KDB 971168 v03r01 section.
2. The eut was connected to the peak and av system simulator& spectrum analyzer.
3. Select lowest, middle, and highest channels for each band and different modulation.
4. Set the test probe and measure average power of the spectrum analysis,

TEST SETUP



TEST RESULT

Note: The test data please reference to attachment “STS2207329W01_Appendix GSM” and “STS2207329W01_Appendix WCDMA”.

5.4 FREQUENCY STABILITY

TEST OVERVIEW

Frequency stability testing is performed in accordance with the guidelines of ANSI C63.26 2015.

The frequency stability of the transmitter is measured by:

- a.) Temperature: The temperature is varied from -30°C to $+50^{\circ}\text{C}$ in 10°C increments using an environmental chamber.
- b.) Primary Supply Voltage: The primary supply voltage is varied from 85% to 115% of the nominal value for non hand-carried battery and AC powered equipment. For hand-carried, battery-powered equipment, primary supply voltage is reduced to the battery operating end point which shall be specified by the manufacturer.

For Part 22, the frequency stability of the transmitter shall be maintained within $\pm 0.00025\%$ (± 2.5 ppm) of the center frequency. For Part 24 the frequency stability shall be sufficient to ensure that the fundamental emission stays within the authorized frequency block.

TEST PROCEDURE

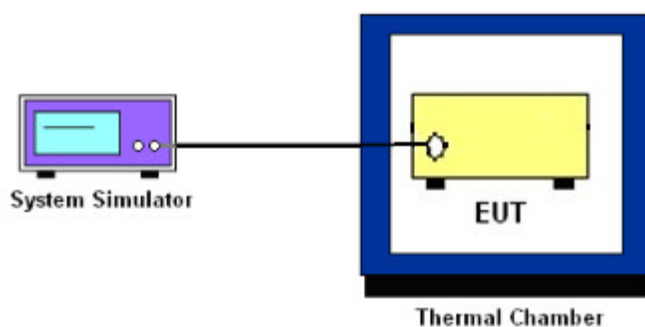
Temperature Variation

1. The testing follows FCC KDB 971168 D01 section 9.0
2. The EUT was set up in the thermal chamber and connected with the system simulator.
3. With power OFF, the temperature was decreased to -30°C and the EUT was stabilized before testing. Power was applied and the maximum change in frequency was recorded within one minute.
4. With power OFF, the temperature was raised in 10°C steps up to 50°C . The EUT was stabilized at each step for at least half an hour. Power was applied and the maximum frequency change was recorded within one minute.

Voltage Variation

1. The testing follows FCC KDB 971168 D01 Section 9.0.
2. The EUT was placed in a temperature chamber at $25\pm 5^{\circ}\text{C}$ and connected with the system simulator.
3. The power supply voltage to the EUT was varied from 85% to 115% of the nominal value measured at the input to the EUT.
4. The variation in frequency was measured for the worst case.

TEST SETUP



TEST RESULT

GSM 850 /836.6MHz					
Temperature (°C)	Voltage	Freq. Dev.	Freq. Dev.	Limit	Result
	(Volt)	(Hz)	(ppm)		
50	Normal Voltage	20.90	0.025	2.5ppm	PASS
40		25.93	0.031		
30		20.88	0.025		
20		28.13	0.034		
10		17.02	0.020		
0		33.17	0.040		
-10		17.05	0.020		
-20		32.83	0.039		
-30		24.19	0.029		
20		Maximum Voltage	35.61		
20	BEP	28.85	0.034		

GPRS 850 /836.6MHz					
Temperature (°C)	Voltage	Freq. Dev.	Freq. Dev.	Limit	Result
	(Volt)	(Hz)	(ppm)		
50	Normal Voltage	22.03	0.026	2.5ppm	PASS
40		26.29	0.031		
30		25.54	0.031		
20		13.78	0.016		
10		14.03	0.017		
0		24.84	0.030		
-10		35.71	0.043		
-20		19.10	0.023		
-30		29.98	0.036		
20		Maximum Voltage	18.63		
20	BEP	19.42	0.023		

EGPRS 850 /836.6MHz					
Temperature (°C)	Voltage	Freq. Dev.	Freq. Dev.	Limit	Result
	(Volt)	(Hz)	(ppm)		
50	Normal Voltage	26.29	0.031	2.5ppm	PASS
40		33.39	0.040		
30		14.99	0.018		
20		35.10	0.042		
10		35.40	0.042		
0		31.75	0.038		
-10		28.92	0.035		
-20		24.23	0.029		
-30		16.16	0.019		
20		Maximum Voltage	22.81		
20	BEP	17.67	0.021		



GSM 1900 / 1880MHz					
Temperature (°C)	Voltage	Freq. Dev.	Freq. Dev.	Limit	Result
	(Volt)	(Hz)	(ppm)		
50	Normal Voltage	15.60	0.008	Within Authorized Band	PASS
40		21.80	0.012		
30		19.87	0.011		
20		23.32	0.012		
10		26.89	0.014		
0		17.65	0.009		
-10		18.40	0.010		
-20		21.90	0.012		
-30		22.95	0.012		
20		Maximum Voltage	35.02		
20	BEP	13.91	0.007		

GPRS 1900 / 1880MHz					
Temperature (°C)	Voltage	Freq. Dev.	Freq. Dev.	Limit	Result
	(Volt)	(Hz)	(ppm)		
50	Normal Voltage	15.60	0.008	Within Authorized Band	PASS
40		17.43	0.009		
30		13.96	0.007		
20		30.26	0.016		
10		20.56	0.011		
0		20.74	0.011		
-10		24.09	0.013		
-20		19.05	0.010		
-30		22.83	0.012		
20		Maximum Voltage	22.13		
20	BEP	29.39	0.016		

EGPRS 1900 / 1880MHz					
Temperature (°C)	Voltage	Freq. Dev.	Freq. Dev.	Limit	Result
	(Volt)	(Hz)	(ppm)		
50	Normal Voltage	14.79	0.008	Within Authorized Band	PASS
40		22.93	0.012		
30		20.78	0.011		
20		31.73	0.017		
10		33.31	0.018		
0		23.35	0.012		
-10		28.17	0.015		
-20		29.00	0.015		
-30		30.41	0.016		
20		Maximum Voltage	35.79		
20	BEP	16.10	0.009		



UMTS Band 2 /1880MHz					
Temperature (°C)	Voltage	Freq. Dev.	Freq. Dev.	Limit	Result
	(Volt)	(Hz)	(ppm)		
50	Normal Voltage	11.62	0.006	Within Authorized Band	PASS
40		27.90	0.015		
30		28.30	0.015		
20		28.32	0.015		
10		14.81	0.008		
0		29.93	0.016		
-10		24.27	0.013		
-20		17.39	0.009		
-30		29.16	0.016		
20		Maximum Voltage	20.98		
20	BEP	24.07	0.013		

HSDPA Band 2 /1880MHz					
Temperature (°C)	Voltage	Freq. Dev.	Freq. Dev.	Limit	Result
	(Volt)	(Hz)	(ppm)		
50	Normal Voltage	30.81	0.016	Within Authorized Band	PASS
40		13.73	0.007		
30		31.36	0.017		
20		26.75	0.014		
10		23.44	0.012		
0		25.40	0.014		
-10		33.60	0.018		
-20		14.94	0.008		
-30		16.03	0.009		
20		Maximum Voltage	32.93		
20	BEP	33.27	0.018		

HSUPA Band 2 /1880MHz					
Temperature (°C)	Voltage	Freq. Dev.	Freq. Dev.	Limit	Result
	(Volt)	(Hz)	(ppm)		
50	Normal Voltage	13.92	0.007	Within Authorized Band	PASS
40		26.86	0.014		
30		23.84	0.013		
20		19.88	0.011		
10		33.68	0.018		
0		21.54	0.011		
-10		14.99	0.008		
-20		36.50	0.019		
-30		17.48	0.009		
20		Maximum Voltage	21.21		
20	BEP	26.28	0.014		



UMTS Band 5 / 836.6MHz					
Temperature (°C)	Voltage	Freq. Dev.	Freq. Dev.	Limit	Result
	(Volt)	(Hz)	(ppm)		
50	Normal Voltage	18.44	0.022	2.5ppm	PASS
40		29.67	0.035		
30		18.03	0.022		
20		16.43	0.020		
10		11.78	0.014		
0		36.42	0.044		
-10		13.50	0.016		
-20		27.70	0.033		
-30		35.04	0.042		
20		Maximum Voltage	30.84		
20	BEP	24.38	0.029		

HSDPA Band 5 / 836.6MHz					
Temperature (°C)	Voltage	Freq. Dev.	Freq. Dev.	Limit	Result
	(Volt)	(Hz)	(ppm)		
50	Normal Voltage	27.57	0.033	2.5ppm	PASS
40		14.32	0.017		
30		26.13	0.031		
20		26.17	0.031		
10		12.31	0.015		
0		23.85	0.029		
-10		24.25	0.029		
-20		25.32	0.030		
-30		22.76	0.027		
20		Maximum Voltage	32.85		
20	BEP	15.04	0.018		

HSUPA Band 5 / 836.6MHz					
Temperature (°C)	Voltage	Freq. Dev.	Freq. Dev.	Limit	Result
	(Volt)	(Hz)	(ppm)		
50	Normal Voltage	35.46	0.042	2.5ppm	PASS
40		33.82	0.040		
30		23.51	0.028		
20		23.25	0.028		
10		14.22	0.017		
0		22.73	0.027		
-10		14.40	0.017		
-20		28.93	0.035		
-30		33.81	0.040		
20		Maximum Voltage	22.79		
20	BEP	34.54	0.041		



UMTS Band 4 /1740MHz					
Temperature (°C)	Voltage	Freq. Dev.	Freq. Dev.	Limit	Result
	(Volt)	(Hz)	(ppm)		
50	Normal Voltage	30.04	0.016	Within Authorized Band	PASS
40		33.11	0.018		
30		25.83	0.014		
20		13.46	0.007		
10		23.15	0.012		
0		18.13	0.010		
-10		35.42	0.019		
-20		13.07	0.007		
-30		13.01	0.007		
20		Maximum Voltage	18.94		
20	BEP	15.30	0.008		

HSDPA Band 4 /1740MHz					
Temperature (°C)	Voltage	Freq. Dev.	Freq. Dev.	Limit	Result
	(Volt)	(Hz)	(ppm)		
50	Normal Voltage	26.31	0.014	Within Authorized Band	PASS
40		14.28	0.008		
30		18.45	0.010		
20		21.61	0.011		
10		19.24	0.010		
0		29.60	0.016		
-10		27.55	0.015		
-20		26.80	0.014		
-30		20.88	0.011		
20		Maximum Voltage	31.74		
20	BEP	24.70	0.013		

HSUPA Band 4 /1740MHz					
Temperature (°C)	Voltage	Freq. Dev.	Freq. Dev.	Limit	Result
	(Volt)	(Hz)	(ppm)		
50	Normal Voltage	15.96	0.008	Within Authorized Band	PASS
40		31.03	0.017		
30		25.51	0.014		
20		12.87	0.007		
10		15.16	0.008		
0		27.05	0.014		
-10		31.91	0.017		
-20		33.72	0.018		
-30		28.02	0.015		
20		Maximum Voltage	34.27		
20	BEP	14.68	0.008		

5.5 SPURIOUS EMISSIONS AT ANTENNA TERMINALS

TEST OVERVIEW

The power of any emission outside of the authorized operating frequency ranges must be lower than the transmitter power (P) by a factor of at least $43 + 10 \log (P)$ dB.

It is measured by means of a calibrated spectrum analyzer and scanned from 30 MHz up to a frequency including its 10th harmonic.

TEST PROCEDURE

1. The testing FCC KDB 971168 D01 v03r01 Section 6.0. and ANSI C63.26-2015-Section 5.7.
2. The EUT was connected to the spectrum analyzer and system simulator via a power divider.
3. The RF output of EUT was connected to the spectrum analyzer by an RF cable and attenuator. The path loss was compensated to the results for each measurement.
4. The middle channel for the highest RF power within the transmitting frequency was measured.
5. The conducted spurious emission for the whole frequency range was taken.
6. The RF fundamental frequency should be excluded against the limit line in the operating frequency band.

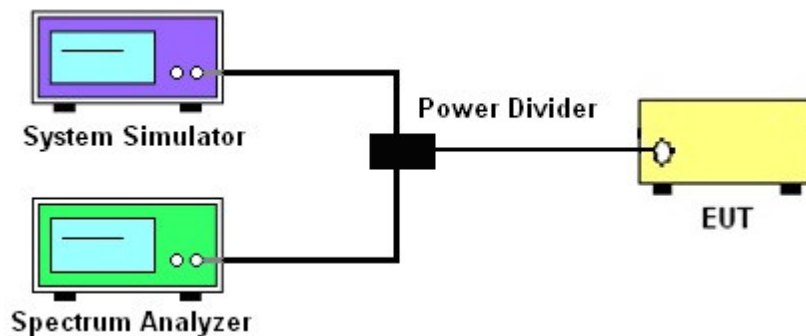
7. The limit line is derived from $43 + 10\log(P)$ dB below the transmitter power P(Watts)

$$= P(W) - [43 + 10\log(P)] \text{ (dB)}$$

$$= [30 + 10\log(P)] \text{ (dBm)} - [43 + 10\log(P)] \text{ (dB)}$$

$$= -13\text{dBm.}$$

TEST SETUP



TEST RESULT

Note: The test data please reference to attachment “STS2207329W01_Appendix GSM” and “STS2207329W01_Appendix WCDMA”.

5.6 BAND EDGE

TEST OVERVIEW

All out of band emissions are measured with a spectrum analyzer connected to the antenna terminal of the EUT while the EUT is operating at maximum power, and at the appropriate frequencies. All data rates were investigated to determine the worst case configuration. All modes of operation were investigated and the worst case configuration results are reported in this section.

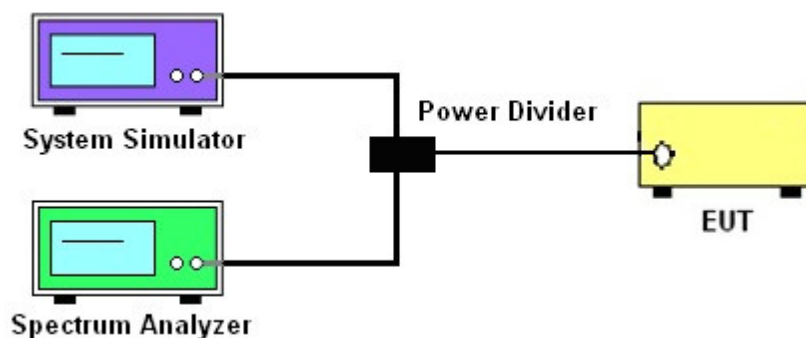
The minimum permissible attenuation level of any spurious emission is $43 + \log_{10}(P[\text{Watts}])$, where P is the transmitter power in Watts.

TEST PROCEDURE

1. The testing FCC KDB 971168 D01 v03r01 Section 6.0 and ANSI C63.26-2015-Section 5.7
2. Start and stop frequency were set such that the band edge would be placed in the center of the Plot.
3. The EUT was connected to the spectrum analyzer and system simulator via a power divider.
4. The RF output of EUT was connected to the spectrum analyzer by an RF cable and attenuator. The path loss was compensated to the results for each measurement.
5. The band edges of low and high channels for the highest RF powers were measured.
6. The RF fundamental frequency should be excluded against the limit line in the operating frequency band.

7. The limit line is derived from $43 + 10\log(P)$ dB below the transmitter power P(Watts)
 $= P(\text{W}) - [43 + 10\log(P)] (\text{dB})$
 $= [30 + 10\log(P)] (\text{dBm}) - [43 + 10\log(P)] (\text{dB})$
 $= -13\text{dBm}.$

TEST SETUP



TEST RESULT

Note: The test data please reference to attachment “STS2207329W01_Appendix GSM” and “STS2207329W01_Appendix WCDMA”.



5.7 FIELD STRENGTH OF SPURIOUS RADIATION MEASUREMENT

TEST OVERVIEW

Radiated spurious emissions measurements are performed using the substitution method described in ANSI C63.26-2015 with the EUT transmitting into an integral antenna. Measurements on signals operating below 1GHz are performed using horizontally and vertically polarized tuned dipole antennas. Measurements on signals operating above 1GHz are performed using vertically and horizontally polarized horn antennas. All measurements are performed as peak measurements while the EUT is operating at maximum power and at the appropriate frequencies.

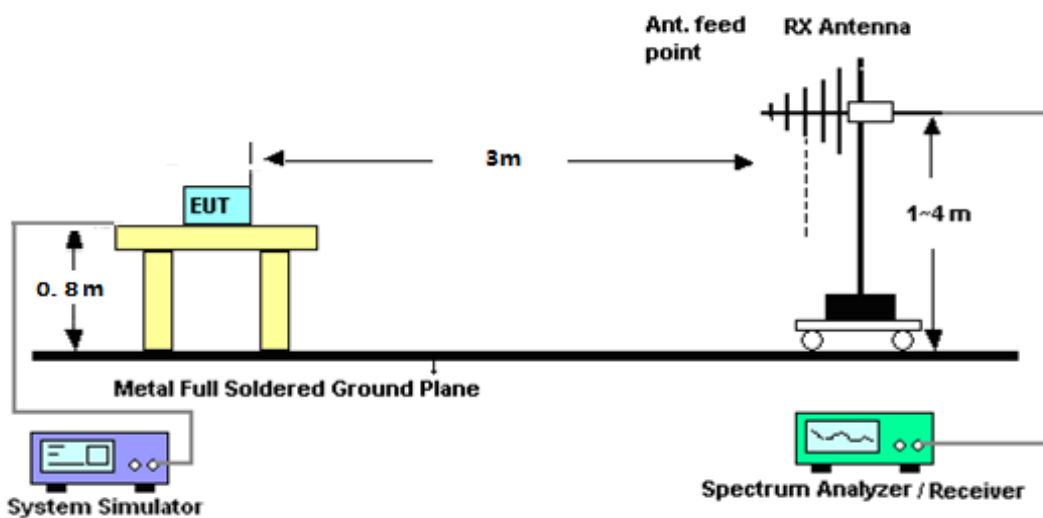
It is measured by means of a calibrated spectrum analyzer and scanned from 30 MHz up to a frequency including its 10th harmonic.

TEST PROCEDURE

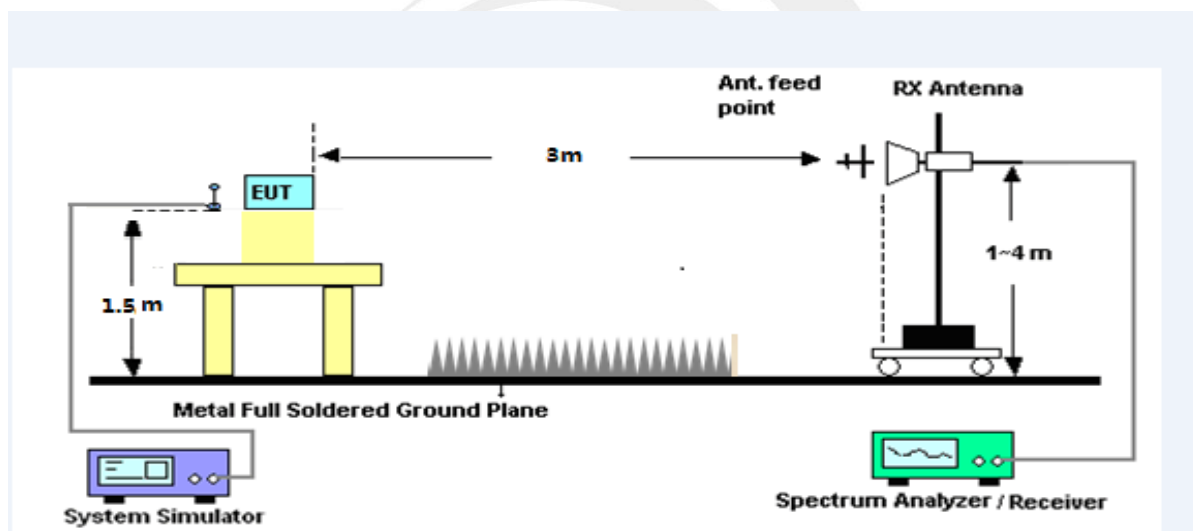
1. The testing FCC KDB 971168 D01 Section 5.8 and ANSI C63.26-2015-Section 5.5.
2. RBW = 100kHz for emissions below 1GHz and 1MHz for emissions above 1GHz
3. VBW $\geq 3 \times$ RBW
4. Span = 1.5 times the OBW
5. No. of sweep points $> 2 \times$ span/RBW
6. Detector = Peak
7. Trace mode = max hold
8. The trace was allowed to stabilize
9. Effective Isotropic Spurious Radiation was measured by substitution method according to TIA/EIA-603-D. The EUT was replaced by the substitution antenna at same location, and then a known power from S.G. was applied into the dipole antenna through a Tx cable, and then recorded the maximum Analyzer reading through raised and lowered the test antenna.
 $P_{Mea} = S.G \text{ Level} + \text{Ant-Cable loss}$; $\text{Margin} = P_{Mea} - \text{Limit}$.

TEST SETUP

For radiated test from 30MHz to 1GHz



For radiated test from above 1GHz





TEST RESULT

Note: (1) Spurious emissions which are attenuated by more than 20dB below the permissible value for frequency below 1000MHz.

(2) Above 3.5GHz amplitude of spurious emissions which are attenuated by more than 20dB below the permissible value

(3) Test is divided into three directions, X/Y/Z. X pattern for the worst.

GSM 850: (30-9000)MHz							
The Worst Test Results Channel 128/824.2 MHz							
Frequency(MHz)	S G.Lev (dBm)	Ant(dBi)	Loss	PMea (dBm)	Limit (dBm)	Margin (dBm)	Polarity
1648.20	-41.36	9.40	4.75	-36.71	-13.00	-23.71	H
2472.59	-40.24	10.60	8.39	-38.03	-13.00	-25.03	H
3296.81	-31.37	12.00	11.79	-31.16	-13.00	-18.16	H
1648.15	-43.61	9.40	4.75	-38.96	-13.00	-25.96	V
2472.59	-44.50	10.60	8.39	-42.29	-13.00	-29.29	V
3296.47	-43.86	12.00	11.79	-43.65	-13.00	-30.65	V
The Worst Test Results Channel 190/836.6 MHz							
Frequency(MHz)	S G.Lev (dBm)	Ant(dBi)	Loss	PMea (dBm)	Limit (dBm)	Margin (dBm)	Polarity
1673.18	-40.73	9.50	4.76	-35.99	-13.00	-22.99	H
2509.60	-40.18	10.70	8.40	-37.88	-13.00	-24.88	H
3346.32	-31.08	12.20	11.80	-30.68	-13.00	-17.68	H
1672.82	-44.03	9.40	4.75	-39.38	-13.00	-26.38	V
2509.87	-44.68	10.60	8.39	-42.47	-13.00	-29.47	V
3345.99	-43.88	12.20	11.82	-43.50	-13.00	-30.50	V
The Worst Test Results Channel 251/848.8 MHz							
Frequency(MHz)	S G.Lev (dBm)	Ant(dBi)	Loss	PMea (dBm)	Limit (dBm)	Margin (dBm)	Polarity
1697.49	-40.40	9.60	4.77	-35.57	-13.00	-22.57	H
2546.52	-39.18	10.80	8.50	-36.88	-13.00	-23.88	H
3395.31	-31.98	12.50	11.90	-31.38	-13.00	-18.38	H
1697.66	-44.22	9.60	4.77	-39.39	-13.00	-26.39	V
2546.38	-44.57	10.80	8.50	-42.27	-13.00	-29.27	V
3394.86	-42.71	12.50	11.90	-42.11	-13.00	-29.11	V



GPRS 850: (30-9000)MHz							
The Worst Test Results Channel 128/824.2 MHz							
Frequency(MHz)	S G.Lev (dBm)	Ant(dBi)	Loss	PMea (dBm)	Limit (dBm)	Margin (dBm)	Polarity
1648.10	-41.46	9.40	4.75	-36.81	-13.00	-23.81	H
2472.46	-39.83	10.60	8.39	-37.62	-13.00	-24.62	H
3296.63	-31.30	12.00	11.79	-31.09	-13.00	-18.09	H
1648.05	-44.36	9.40	4.75	-39.71	-13.00	-26.71	V
2472.68	-45.15	10.60	8.39	-42.94	-13.00	-29.94	V
3296.92	-43.94	12.00	11.79	-43.73	-13.00	-30.73	V
The Worst Test Results Channel 190/836.6 MHz							
Frequency(MHz)	S G.Lev (dBm)	Ant(dBi)	Loss	PMea (dBm)	Limit (dBm)	Margin (dBm)	Polarity
1673.05	-40.46	9.50	4.76	-35.72	-13.00	-22.72	H
2509.79	-39.98	10.70	8.40	-37.68	-13.00	-24.68	H
3346.25	-31.56	12.20	11.80	-31.16	-13.00	-18.16	H
1673.12	-43.29	9.40	4.75	-38.64	-13.00	-25.64	V
2509.87	-44.03	10.60	8.39	-41.82	-13.00	-28.82	V
3346.31	-43.17	12.20	11.82	-42.79	-13.00	-29.79	V
The Worst Test Results Channel 251/848.8 MHz							
Frequency(MHz)	S G.Lev (dBm)	Ant(dBi)	Loss	PMea (dBm)	Limit (dBm)	Margin (dBm)	Polarity
1697.21	-40.39	9.60	4.77	-35.56	-13.00	-22.56	H
2546.24	-39.48	10.80	8.50	-37.18	-13.00	-24.18	H
3394.86	-32.13	12.50	11.90	-31.53	-13.00	-18.53	H
1697.48	-44.21	9.60	4.77	-39.38	-13.00	-26.38	V
2546.19	-44.76	10.80	8.50	-42.46	-13.00	-29.46	V
3395.18	-43.65	12.50	11.90	-43.05	-13.00	-30.05	V



EGPRS 850: (30-9000)MHz							
The Worst Test Results Channel 128/824.2 MHz							
Frequency(MHz)	S G.Lev (dBm)	Ant(dBi)	Loss	PMea (dBm)	Limit (dBm)	Margin (dBm)	Polarity
1648.50	-40.51	9.40	4.75	-35.86	-13.00	-22.86	H
2472.51	-39.31	10.60	8.39	-37.10	-13.00	-24.10	H
3296.91	-31.06	12.00	11.79	-30.85	-13.00	-17.85	H
1648.13	-44.50	9.40	4.75	-39.85	-13.00	-26.85	V
2472.58	-45.01	10.60	8.39	-42.80	-13.00	-29.80	V
3296.66	-42.60	12.00	11.79	-42.39	-13.00	-29.39	V
The Worst Test Results Channel 190/836.6 MHz							
Frequency(MHz)	S G.Lev (dBm)	Ant(dBi)	Loss	PMea (dBm)	Limit (dBm)	Margin (dBm)	Polarity
1673.24	-40.88	9.50	4.76	-36.14	-13.00	-23.14	H
2509.71	-39.93	10.70	8.40	-37.63	-13.00	-24.63	H
3346.24	-31.43	12.20	11.80	-31.03	-13.00	-18.03	H
1672.98	-43.52	9.40	4.75	-38.87	-13.00	-25.87	V
2509.78	-45.15	10.60	8.39	-42.94	-13.00	-29.94	V
3346.28	-42.68	12.20	11.82	-42.30	-13.00	-29.30	V
The Worst Test Results Channel 251/848.8 MHz							
Frequency(MHz)	S G.Lev (dBm)	Ant(dBi)	Loss	PMea (dBm)	Limit (dBm)	Margin (dBm)	Polarity
1697.51	-40.86	9.60	4.77	-36.03	-13.00	-23.03	H
2546.11	-39.22	10.80	8.50	-36.92	-13.00	-23.92	H
3395.25	-31.42	12.50	11.90	-30.82	-13.00	-17.82	H
1697.30	-43.40	9.60	4.77	-38.57	-13.00	-25.57	V
2546.28	-44.88	10.80	8.50	-42.58	-13.00	-29.58	V
3394.88	-43.20	12.50	11.90	-42.60	-13.00	-29.60	V



PCS 1900: (30-20000)MHz							
The Worst Test Results for Channel 512/1850.2MHz							
Frequency(MHz)	S G.Lev (dBm)	Ant(dBi)	Loss	PMea (dBm)	Limit (dBm)	Margin (dBm)	Polarity
3700.24	-34.70	12.60	12.93	-35.03	-13.00	-22.03	H
5550.42	-34.71	13.10	17.11	-38.72	-13.00	-25.72	H
7400.82	-33.13	11.50	22.20	-43.83	-13.00	-30.83	H
3700.02	-35.67	12.60	12.93	-36.00	-13.00	-23.00	V
5550.68	-34.89	13.10	17.11	-38.90	-13.00	-25.90	V
7400.89	-32.95	11.50	22.20	-43.65	-13.00	-30.65	V
The Worst Test Results for Channel 661/1880.0MHz							
Frequency(MHz)	S G.Lev (dBm)	Ant(dBi)	Loss	PMea (dBm)	Limit (dBm)	Margin (dBm)	Polarity
3759.82	-34.91	12.60	12.93	-35.24	-13.00	-22.24	H
5640.22	-34.30	13.10	17.11	-38.31	-13.00	-25.31	H
7520.21	-32.87	11.50	22.20	-43.57	-13.00	-30.57	H
3760.23	-35.33	12.60	12.93	-35.66	-13.00	-22.66	V
5640.18	-33.91	13.10	17.11	-37.92	-13.00	-24.92	V
7520.27	-32.40	11.50	22.20	-43.10	-13.00	-30.10	V
The Worst Test Results for Channel 810/1909.8MHz							
Frequency(MHz)	S G.Lev (dBm)	Ant(dBi)	Loss	PMea (dBm)	Limit (dBm)	Margin (dBm)	Polarity
3819.34	-33.48	12.60	12.93	-33.81	-13.00	-20.81	H
5729.11	-35.28	13.10	17.11	-39.29	-13.00	-26.29	H
7639.12	-32.68	11.50	22.20	-43.38	-13.00	-30.38	H
3819.51	-35.88	12.60	12.93	-36.21	-13.00	-23.21	V
5729.23	-33.92	13.10	17.11	-37.93	-13.00	-24.93	V
7639.32	-31.79	11.50	22.20	-42.49	-13.00	-29.49	V



GPRS1900: (30-20000)MHz							
The Worst Test Results for Channel 512/1850.2MHz							
Frequency(MHz)	S G.Lev (dBm)	Ant(dBi)	Loss	PMea	Limit	Margin	Polarity
				(dBm)	(dBm)	(dBm)	
3700.21	-34.13	12.60	12.93	-34.46	-13.00	-21.46	H
5550.57	-34.71	13.10	17.11	-38.72	-13.00	-25.72	H
7400.77	-32.95	11.50	22.20	-43.65	-13.00	-30.65	H
3700.41	-34.63	12.60	12.93	-34.96	-13.00	-21.96	V
5550.36	-34.80	13.10	17.11	-38.81	-13.00	-25.81	V
7400.52	-31.96	11.50	22.20	-42.66	-13.00	-29.66	V
The Worst Test Results for Channel 661/1880.0MHz							
Frequency(MHz)	S G.Lev (dBm)	Ant(dBi)	Loss	PMea	Limit	Margin	Polarity
				(dBm)	(dBm)	(dBm)	
3759.92	-34.14	12.60	12.93	-34.47	-13.00	-21.47	H
5640.19	-35.40	13.10	17.11	-39.41	-13.00	-26.41	H
7520.13	-32.88	11.50	22.20	-43.58	-13.00	-30.58	H
3760.14	-35.94	12.60	12.93	-36.27	-13.00	-23.27	V
5639.92	-34.61	13.10	17.11	-38.62	-13.00	-25.62	V
7519.92	-32.68	11.50	22.20	-43.38	-13.00	-30.38	V
The Worst Test Results for Channel 810/1909.8MHz							
Frequency(MHz)	S G.Lev (dBm)	Ant(dBi)	Loss	PMea	Limit	Margin	Polarity
				(dBm)	(dBm)	(dBm)	
3819.41	-34.60	12.60	12.93	-34.93	-13.00	-21.93	H
5729.44	-34.86	13.10	17.11	-38.87	-13.00	-25.87	H
7639.12	-32.95	11.50	22.20	-43.65	-13.00	-30.65	H
3819.72	-35.25	12.60	12.93	-35.58	-13.00	-22.58	V
5729.07	-35.13	13.10	17.11	-39.14	-13.00	-26.14	V
7639.34	-31.90	11.50	22.20	-42.60	-13.00	-29.60	V



EGPRS 1900: (30-20000)MHz							
The Worst Test Results for Channel 512/1850.2MHz							
Frequency(MHz)	S G.Lev (dBm)	Ant(dBi)	Loss	PMea	Limit	Margin	Polarity
				(dBm)	(dBm)	(dBm)	
3700.18	-33.59	12.60	12.93	-33.92	-13.00	-20.92	H
5550.45	-34.57	13.10	17.11	-38.58	-13.00	-25.58	H
7400.58	-32.74	11.50	22.20	-43.44	-13.00	-30.44	H
3700.26	-35.65	12.60	12.93	-35.98	-13.00	-22.98	V
5550.59	-33.91	13.10	17.11	-37.92	-13.00	-24.92	V
7400.59	-33.14	11.50	22.20	-43.84	-13.00	-30.84	V
The Worst Test Results for Channel 661/1880.0MHz							
Frequency(MHz)	S G.Lev (dBm)	Ant(dBi)	Loss	PMea	Limit	Margin	Polarity
				(dBm)	(dBm)	(dBm)	
3759.90	-34.59	12.60	12.93	-34.92	-13.00	-21.92	H
5640.19	-34.16	13.10	17.11	-38.17	-13.00	-25.17	H
7520.22	-33.60	11.50	22.20	-44.30	-13.00	-31.30	H
3759.89	-35.96	12.60	12.93	-36.29	-13.00	-23.29	V
5639.91	-34.16	13.10	17.11	-38.17	-13.00	-25.17	V
7520.29	-31.78	11.50	22.20	-42.48	-13.00	-29.48	V
The Worst Test Results for Channel 810/1909.8MHz							
Frequency(MHz)	S G.Lev (dBm)	Ant(dBi)	Loss	PMea	Limit	Margin	Polarity
				(dBm)	(dBm)	(dBm)	
3819.34	-33.48	12.60	12.93	-33.81	-13.00	-20.81	H
5729.13	-34.43	13.10	17.11	-38.44	-13.00	-25.44	H
7639.30	-32.62	11.50	22.20	-43.32	-13.00	-30.32	H
3819.57	-35.67	12.60	12.93	-36.00	-13.00	-23.00	V
5729.52	-34.55	13.10	17.11	-38.56	-13.00	-25.56	V
7639.16	-31.98	11.50	22.20	-42.68	-13.00	-29.68	V



WCDMA Band 2: (30-20000)MHz							
The Worst Test Results for Channel 9262/1852.4MHz							
Frequency(MHz)	S G.Lev (dBm)	Ant(dBi)	Loss	PMea (dBm)	Limit (dBm)	Margin (dBm)	Polarity
3704.46	-34.01	12.60	12.93	-34.34	-13.00	-21.34	H
5557.38	-35.35	13.10	17.11	-39.36	-13.00	-26.36	H
7409.54	-32.74	11.50	22.20	-43.44	-13.00	-30.44	H
3704.21	-35.46	12.60	12.93	-35.79	-13.00	-22.79	V
5557.38	-35.00	13.10	17.11	-39.01	-13.00	-26.01	V
7409.84	-33.00	11.50	22.20	-43.70	-13.00	-30.70	V
The Worst Test Results for Channel 9400/1880MHz							
Frequency(MHz)	S G.Lev (dBm)	Ant(dBi)	Loss	PMea (dBm)	Limit (dBm)	Margin (dBm)	Polarity
3759.91	-33.93	12.60	12.93	-34.26	-13.00	-21.26	H
5639.91	-34.53	13.10	17.11	-38.54	-13.00	-25.54	H
7520.19	-32.82	11.50	22.20	-43.52	-13.00	-30.52	H
3760.14	-35.38	12.60	12.93	-35.71	-13.00	-22.71	V
5640.26	-34.96	13.10	17.11	-38.97	-13.00	-25.97	V
7520.08	-32.22	11.50	22.20	-42.92	-13.00	-29.92	V
The Worst Test Results for Channel 9538/1907.6MHz							
Frequency(MHz)	S G.Lev (dBm)	Ant(dBi)	Loss	PMea (dBm)	Limit (dBm)	Margin (dBm)	Polarity
3815.44	-33.44	12.60	12.93	-33.77	-13.00	-20.77	H
5722.40	-35.30	13.10	17.11	-39.31	-13.00	-26.31	H
7629.94	-32.60	11.50	22.20	-43.30	-13.00	-30.30	H
3815.58	-35.71	12.60	12.93	-36.04	-13.00	-23.04	V
5722.46	-34.11	13.10	17.11	-38.12	-13.00	-25.12	V
7630.05	-32.10	11.50	22.20	-42.80	-13.00	-29.80	V



HSUPA Band 2: (30-20000)MHz							
The Worst Test Results for Channel 9262/1852.4MHz							
Frequency(MHz)	S G.Lev (dBm)	Ant(dBi)	Loss	PMea (dBm)	Limit (dBm)	Margin (dBm)	Polarity
3704.29	-33.85	12.60	12.93	-34.18	-13.00	-21.18	H
5557.32	-34.56	13.10	17.11	-38.57	-13.00	-25.57	H
7409.59	-33.45	11.50	22.20	-44.15	-13.00	-31.15	H
3704.20	-34.73	12.60	12.93	-35.06	-13.00	-22.06	V
5557.48	-34.94	13.10	17.11	-38.95	-13.00	-25.95	V
7409.79	-31.75	11.50	22.20	-42.45	-13.00	-29.45	V
The Worst Test Results for Channel 9400/1880MHz							
Frequency(MHz)	S G.Lev (dBm)	Ant(dBi)	Loss	PMea (dBm)	Limit (dBm)	Margin (dBm)	Polarity
3759.81	-34.67	12.60	12.93	-35.00	-13.00	-22.00	H
5640.25	-34.16	13.10	17.11	-38.17	-13.00	-25.17	H
7520.20	-32.59	11.50	22.20	-43.29	-13.00	-30.29	H
3760.19	-35.91	12.60	12.93	-36.24	-13.00	-23.24	V
5639.94	-34.21	13.10	17.11	-38.22	-13.00	-25.22	V
7519.96	-32.30	11.50	22.20	-43.00	-13.00	-30.00	V
The Worst Test Results for Channel 9538/1907.6MHz							
Frequency(MHz)	S G.Lev (dBm)	Ant(dBi)	Loss	PMea (dBm)	Limit (dBm)	Margin (dBm)	Polarity
3815.43	-34.36	12.60	12.93	-34.69	-13.00	-21.69	H
5722.42	-34.17	13.10	17.11	-38.18	-13.00	-25.18	H
7630.04	-32.26	11.50	22.20	-42.96	-13.00	-29.96	H
3815.69	-35.43	12.60	12.93	-35.76	-13.00	-22.76	V
5722.10	-34.89	13.10	17.11	-38.90	-13.00	-25.90	V
7630.12	-32.60	11.50	22.20	-43.30	-13.00	-30.30	V



HSDPA Band 2: (30-20000)MHz							
The Worst Test Results for Channel 9262/1852.4MHz							
Frequency(MHz)	S G.Lev (dBm)	Ant(dBi)	Loss	PMea (dBm)	Limit (dBm)	Margin (dBm)	Polarity
3704.33	-34.56	12.60	12.93	-34.89	-13.00	-21.89	H
5557.39	-34.83	13.10	17.11	-38.84	-13.00	-25.84	H
7409.85	-32.43	11.50	22.20	-43.13	-13.00	-30.13	H
3704.13	-35.49	12.60	12.93	-35.82	-13.00	-22.82	V
5557.66	-34.40	13.10	17.11	-38.41	-13.00	-25.41	V
7409.84	-32.63	11.50	22.20	-43.33	-13.00	-30.33	V
The Worst Test Results for Channel 9400/1880MHz							
Frequency(MHz)	S G.Lev (dBm)	Ant(dBi)	Loss	PMea (dBm)	Limit (dBm)	Margin (dBm)	Polarity
3760.13	-34.38	12.60	12.93	-34.71	-13.00	-21.71	H
5640.02	-34.47	13.10	17.11	-38.48	-13.00	-25.48	H
7520.14	-33.48	11.50	22.20	-44.18	-13.00	-31.18	H
3760.21	-35.77	12.60	12.93	-36.10	-13.00	-23.10	V
5640.28	-33.95	13.10	17.11	-37.96	-13.00	-24.96	V
7520.27	-32.61	11.50	22.20	-43.31	-13.00	-30.31	V
The Worst Test Results for Channel 9538/1907.6MHz							
Frequency(MHz)	S G.Lev (dBm)	Ant(dBi)	Loss	PMea (dBm)	Limit (dBm)	Margin (dBm)	Polarity
3815.50	-33.97	12.60	12.93	-34.30	-13.00	-21.30	H
5722.43	-34.07	13.10	17.11	-38.08	-13.00	-25.08	H
7629.83	-33.08	11.50	22.20	-43.78	-13.00	-30.78	H
3815.42	-35.82	12.60	12.93	-36.15	-13.00	-23.15	V
5722.46	-34.85	13.10	17.11	-38.86	-13.00	-25.86	V
7630.30	-32.44	11.50	22.20	-43.14	-13.00	-30.14	V



WCDMA Band 4: (30-18000)MHz							
The Worst Test Results for Channel 1313/1712.6MHz							
Frequency(MHz)	S G.Lev (dBm)	Ant(dBi)	Loss	PMea (dBm)	Limit (dBm)	Margin (dBm)	Polarity
3424.81	-34.31	12.90	12.05	-33.46	-13.00	-20.46	H
5137.77	-34.90	12.80	16.27	-38.37	-13.00	-25.37	H
6850.27	-32.78	12.30	20.13	-40.61	-13.00	-27.61	H
3424.93	-35.69	12.90	12.05	-34.84	-13.00	-21.84	V
5137.56	-33.76	12.80	16.27	-37.23	-13.00	-24.23	V
6849.98	-32.29	12.30	20.13	-40.12	-13.00	-27.12	V
The Worst Test Results for Channel 1450/1740.0MHz							
Frequency(MHz)	S G.Lev (dBm)	Ant(dBi)	Loss	PMea (dBm)	Limit (dBm)	Margin (dBm)	Polarity
3479.73	-34.75	12.90	12.05	-33.90	-13.00	-20.90	H
5219.89	-35.29	12.80	16.27	-38.76	-13.00	-25.76	H
6959.72	-33.06	12.30	20.13	-40.89	-13.00	-27.89	H
3479.80	-34.67	12.90	12.05	-33.82	-13.00	-20.82	V
5219.65	-34.52	12.80	16.27	-37.99	-13.00	-24.99	V
6959.53	-32.86	12.30	20.13	-40.69	-13.00	-27.69	V
The Worst Test Results for Channel 1512/1752.4MHz							
Frequency(MHz)	S G.Lev (dBm)	Ant(dBi)	Loss	PMea (dBm)	Limit (dBm)	Margin (dBm)	Polarity
3504.70	-33.61	12.90	12.05	-32.76	-13.00	-19.76	H
5256.74	-35.44	12.80	16.27	-38.91	-13.00	-25.91	H
7009.50	-32.93	12.30	20.13	-40.76	-13.00	-27.76	H
3504.79	-34.70	12.90	12.05	-33.85	-13.00	-20.85	V
5256.75	-34.79	12.80	16.27	-38.26	-13.00	-25.26	V
7009.44	-33.06	12.30	20.13	-40.89	-13.00	-27.89	V



HSUPA Band 4: (30-18000)MHz							
The Worst Test Results for Channel 1313/1712.6MHz							
Frequency(MHz)	S G.Lev (dBm)	Ant(dBi)	Loss	PMea (dBm)	Limit (dBm)	Margin (dBm)	Polarity
3424.80	-34.25	12.90	12.05	-33.40	-13.00	-20.40	H
5137.74	-34.67	12.80	16.27	-38.14	-13.00	-25.14	H
6850.16	-33.01	12.30	20.13	-40.84	-13.00	-27.84	H
3424.95	-34.84	12.90	12.05	-33.99	-13.00	-20.99	V
5137.33	-33.88	12.80	16.27	-37.35	-13.00	-24.35	V
6850.26	-32.42	12.30	20.13	-40.25	-13.00	-27.25	V
The Worst Test Results for Channel 1450/1740.0MHz							
Frequency(MHz)	S G.Lev (dBm)	Ant(dBi)	Loss	PMea (dBm)	Limit (dBm)	Margin (dBm)	Polarity
3479.56	-33.58	12.90	12.05	-32.73	-13.00	-19.73	H
5219.94	-34.78	12.80	16.27	-38.25	-13.00	-25.25	H
6959.58	-33.58	12.30	20.13	-41.41	-13.00	-28.41	H
3479.87	-35.15	12.90	12.05	-34.30	-13.00	-21.30	V
5219.63	-34.64	12.80	16.27	-38.11	-13.00	-25.11	V
6959.99	-32.42	12.30	20.13	-40.25	-13.00	-27.25	V
The Worst Test Results for Channel 1512/1752.4MHz							
Frequency(MHz)	S G.Lev (dBm)	Ant(dBi)	Loss	PMea (dBm)	Limit (dBm)	Margin (dBm)	Polarity
3504.39	-33.90	12.90	12.05	-33.05	-13.00	-20.05	H
5257.20	-35.20	12.80	16.27	-38.67	-13.00	-25.67	H
7009.23	-32.30	12.30	20.13	-40.13	-13.00	-27.13	H
3504.55	-35.63	12.90	12.05	-34.78	-13.00	-21.78	V
5257.15	-33.85	12.80	16.27	-37.32	-13.00	-24.32	V
7009.17	-33.00	12.30	20.13	-40.83	-13.00	-27.83	V



HSDPA Band 4: (30-18000)MHz							
The Worst Test Results for Channel 1313/1712.6MHz							
Frequency(MHz)	S G.Lev (dBm)	Ant(dBi)	Loss	PMea (dBm)	Limit (dBm)	Margin (dBm)	Polarity
3425.11	-34.67	12.90	12.05	-33.82	-13.00	-20.82	H
5137.70	-35.07	12.80	16.27	-38.54	-13.00	-25.54	H
6849.99	-33.18	12.30	20.13	-41.01	-13.00	-28.01	H
3425.19	-34.77	12.90	12.05	-33.92	-13.00	-20.92	V
5137.36	-34.09	12.80	16.27	-37.56	-13.00	-24.56	V
6850.23	-32.15	12.30	20.13	-39.98	-13.00	-26.98	V
The Worst Test Results for Channel 1450/1740.0MHz							
Frequency(MHz)	S G.Lev (dBm)	Ant(dBi)	Loss	PMea (dBm)	Limit (dBm)	Margin (dBm)	Polarity
3479.91	-34.79	12.90	12.05	-33.94	-13.00	-20.94	H
5219.77	-34.70	12.80	16.27	-38.17	-13.00	-25.17	H
6959.95	-32.61	12.30	20.13	-40.44	-13.00	-27.44	H
3479.60	-35.57	12.90	12.05	-34.72	-13.00	-21.72	V
5219.85	-34.62	12.80	16.27	-38.09	-13.00	-25.09	V
6959.53	-32.39	12.30	20.13	-40.22	-13.00	-27.22	V
The Worst Test Results for Channel 1512/1752.4MHz							
Frequency(MHz)	S G.Lev (dBm)	Ant(dBi)	Loss	PMea (dBm)	Limit (dBm)	Margin (dBm)	Polarity
3504.52	-34.62	12.90	12.05	-33.77	-13.00	-20.77	H
5256.96	-35.03	12.80	16.27	-38.50	-13.00	-25.50	H
7009.25	-32.43	12.30	20.13	-40.26	-13.00	-27.26	H
3504.67	-35.72	12.90	12.05	-34.87	-13.00	-21.87	V
5256.92	-35.24	12.80	16.27	-38.71	-13.00	-25.71	V
7009.50	-32.12	12.30	20.13	-39.95	-13.00	-26.95	V



WCDMA Band 5: (30-9000)MHz							
The most testresults channel 4132/826.4MHz							
Frequency(MHz)	S G.Lev (dBm)	Ant(dBi)	Loss	PMea (dBm)	Limit (dBm)	Margin (dBm)	Polarity
1652.29	-41.40	9.40	4.75	-36.75	-13.00	-23.75	H
2479.45	-40.35	10.60	8.39	-38.14	-13.00	-25.14	H
3305.60	-32.02	12.00	11.79	-31.81	-13.00	-18.81	H
1652.46	-44.53	9.40	4.75	-39.88	-13.00	-26.88	V
2479.35	-44.19	10.60	8.39	-41.98	-13.00	-28.98	V
3305.46	-43.14	12.00	11.79	-42.93	-13.00	-29.93	V
The Worst Test Results Channel 4183/836.6MHz							
Frequency(MHz)	S G.Lev (dBm)	Ant(dBi)	Loss	PMea (dBm)	Limit (dBm)	Margin (dBm)	Polarity
1673.06	-41.45	9.40	4.75	-36.80	-13.00	-23.80	H
2509.59	-40.63	10.60	8.39	-38.42	-13.00	-25.42	H
3346.21	-31.19	12.00	11.79	-30.98	-13.00	-17.98	H
1672.80	-44.49	9.40	4.75	-39.84	-13.00	-26.84	V
2509.85	-44.80	10.60	8.39	-42.59	-13.00	-29.59	V
3346.15	-43.49	12.00	11.79	-43.28	-13.00	-30.28	V
The Worst Test Results Channel 4233/846.6MHz							
Frequency(MHz)	S G.Lev (dBm)	Ant(dBi)	Loss	PMea (dBm)	Limit (dBm)	Margin (dBm)	Polarity
1693.30	-40.91	9.40	4.75	-36.26	-13.00	-23.26	H
2539.47	-39.25	10.60	8.39	-37.04	-13.00	-24.04	H
3385.86	-31.58	12.00	11.79	-31.37	-13.00	-18.37	H
1693.24	-43.38	9.40	4.75	-38.73	-13.00	-25.73	V
2539.17	-44.15	10.60	8.39	-41.94	-13.00	-28.94	V
3386.02	-43.15	12.00	11.79	-42.94	-13.00	-29.94	V



HSUPA Band 5: (30-9000)MHz							
The most testresults channel 4132/826.4MHz							
Frequency(MHz)	S G.Lev (dBm)	Ant(dBi)	Loss	PMea (dBm)	Limit (dBm)	Margin (dBm)	Polarity
1652.12	-41.37	9.40	4.75	-36.72	-13.00	-23.72	H
2479.70	-40.15	10.60	8.39	-37.94	-13.00	-24.94	H
3305.44	-31.02	12.00	11.79	-30.81	-13.00	-17.81	H
1652.30	-43.17	9.40	4.75	-38.52	-13.00	-25.52	V
2479.30	-44.94	10.60	8.39	-42.73	-13.00	-29.73	V
3305.54	-42.72	12.00	11.79	-42.51	-13.00	-29.51	V
The Worst Test Results Channel 4183/836.6MHz							
Frequency(MHz)	S G.Lev (dBm)	Ant(dBi)	Loss	PMea (dBm)	Limit (dBm)	Margin (dBm)	Polarity
1673.06	-40.55	9.40	4.75	-35.90	-13.00	-22.90	H
2509.90	-40.64	10.60	8.39	-38.43	-13.00	-25.43	H
3346.40	-31.42	12.00	11.79	-31.21	-13.00	-18.21	H
1673.25	-44.37	9.40	4.75	-39.72	-13.00	-26.72	V
2509.60	-45.18	10.60	8.39	-42.97	-13.00	-29.97	V
3346.13	-43.44	12.00	11.79	-43.23	-13.00	-30.23	V
The Worst Test Results Channel 4233/846.6MHz							
Frequency(MHz)	S G.Lev (dBm)	Ant(dBi)	Loss	PMea (dBm)	Limit (dBm)	Margin (dBm)	Polarity
1693.48	-40.30	9.40	4.75	-35.65	-13.00	-22.65	H
2539.13	-39.96	10.60	8.39	-37.75	-13.00	-24.75	H
3386.15	-32.08	12.00	11.79	-31.87	-13.00	-18.87	H
1693.56	-44.43	9.40	4.75	-39.78	-13.00	-26.78	V
2539.42	-45.36	10.60	8.39	-43.15	-13.00	-30.15	V
3386.04	-42.61	12.00	11.79	-42.40	-13.00	-29.40	V



HSDPA Band 5: (30-9000)MHz							
The most testresults channel 4132/826.4MHz							
Frequency(MHz)	S G.Lev (dBm)	Ant(dBi)	Loss	PMea (dBm)	Limit (dBm)	Margin (dBm)	Polarity
1652.01	-40.80	9.40	4.75	-36.15	-13.00	-23.15	H
2479.45	-39.41	10.60	8.39	-37.20	-13.00	-24.20	H
3305.84	-31.73	12.00	11.79	-31.52	-13.00	-18.52	H
1652.35	-43.22	9.40	4.75	-38.57	-13.00	-25.57	V
2479.31	-44.94	10.60	8.39	-42.73	-13.00	-29.73	V
3305.82	-43.92	12.00	11.79	-43.71	-13.00	-30.71	V
The Worst Test Results Channel 4183/836.6MHz							
Frequency(MHz)	S G.Lev (dBm)	Ant(dBi)	Loss	PMea (dBm)	Limit (dBm)	Margin (dBm)	Polarity
1672.80	-40.43	9.40	4.75	-35.78	-13.00	-22.78	H
2509.80	-40.32	10.60	8.39	-38.11	-13.00	-25.11	H
3346.37	-31.99	12.00	11.79	-31.78	-13.00	-18.78	H
1673.13	-43.34	9.40	4.75	-38.69	-13.00	-25.69	V
2509.73	-44.62	10.60	8.39	-42.41	-13.00	-29.41	V
3346.23	-42.61	12.00	11.79	-42.40	-13.00	-29.40	V
The Worst Test Results Channel 4233/846.6MHz							
Frequency(MHz)	S G.Lev (dBm)	Ant(dBi)	Loss	PMea (dBm)	Limit (dBm)	Margin (dBm)	Polarity
1693.46	-40.63	9.40	4.75	-35.98	-13.00	-22.98	H
2539.31	-39.34	10.60	8.39	-37.13	-13.00	-24.13	H
3385.88	-31.54	12.00	11.79	-31.33	-13.00	-18.33	H
1693.51	-43.34	9.40	4.75	-38.69	-13.00	-25.69	V
2539.23	-44.45	10.60	8.39	-42.24	-13.00	-29.24	V
3386.20	-42.67	12.00	11.79	-42.46	-13.00	-29.46	V



APPENDIX-PHOTOS OF TEST SETUP

Note: See test photos in setup photo document for the actual connections between Product and support equipment.

*****END OF THE REPORT*****

