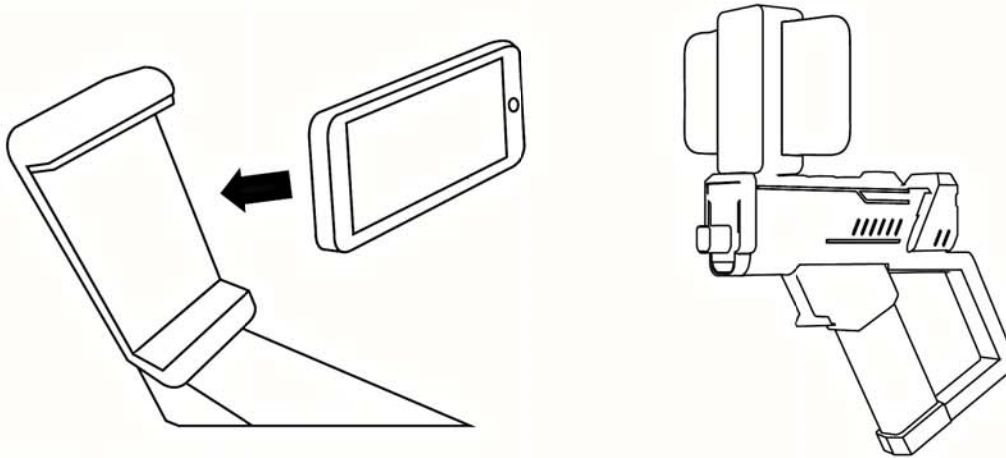


ASSEMBLY

- Insert the threaded end of the smartphone mount into the mounting hole on the top of the blaster's barrel.
- Rotate the smartphone mount clockwise until it is firmly attached. The open end of the mount should face backward towards the user.
- Lift the top end of the spring-loaded mount and insert the phone. Be careful not to trap any buttons. You may need to remove any protective case.



CONNECTING WITH THE BLASTER

The blaster connects with the smartphone via Bluetooth®. Make sure that Bluetooth® is enabled on your device.

1. Launch the AR Blaster app.
2. Pull and hold the AR Blaster's trigger for approximately 3 seconds.
3. The app will search for the Blaster.
 - a. If it doesn't find the Blaster, tap on the Blaster icon at the bottom of the screen.
 - b. A list of available connections will appear.
 - c. Move the slider to the right of the Blaster's name to the right.



Note:

- When in the app's main menu, you may notice ARGUNPRO, ARCS, WORLDSAR, and ARCHER app links. These apps may not be playable at the time of use.

