



# KSIGN (Guangdong) Testing Co., Ltd.

West Side of 1/F., Building C, Zone A, Fuyuan New Factory, Jiujiu Industrial Park,  
Minzhu, Shatou, Shajing, Bao'an District, Shenzhen, Guangdong, People's Republic of China  
Tel.: + (86)755-29852678 Fax: + (86)755-29852397 E-mail: info@gdksign.cn Website: www.gdksign.com

## TEST REPORT

**Report No.**..... : **KS2010S01735E02**

**FCC ID**..... : **2A094-LW004-CT**

**Applicant**..... : **MOKO TECHNOLOGY LIMITED**

**Address**..... : 2F, Building1, No.37 Xiaxintang Xintang village, Fucheng Street,  
Longhua District, Shenzhen, Guangdong Province, China

**Manufacturer**..... : MOKO TECHNOLOGY LTD

**Address**..... : 2F, Building1, No.37 Xiaxintang Xintang village, Fucheng Street,  
Longhua District, Shenzhen, Guangdong Province, China

**Product Name**..... : **LoRaWAN Node**

**Trade Mark**..... : /

**Model/Type reference**..... : LW004-CT

**Listed Model(s)**..... : /

**Standard**..... : **FCC CFR Title 47 Part 15 Subpart C Section 15.249**

**Date of Receipt**..... : Oct. 27, 2020

**Date of Test Date**..... : Oct. 27, 2020- Nov. 30, 2020

**Date of issue**..... : Nov. 30, 2020

**Test result**..... : **Pass**

Compiled by:  
(Printed name+signature)

Supervised by:  
(Printed name+signature)

Approved by:  
(Printed name+signature)

Rory Huang	
Eder Zhan	
Cary Luo	

**Testing Laboratory Name**..... : **KSIGN(Guangdong) Testing Co., Ltd.**

**Address**..... : West Side of 1/F., Building C, Zone A, Fuyuan New Factory, Jiujiu Industrial Park, Minzhu, Shatou, Shajing, Bao'an District, Shenzhen, Guangdong, People's Republic of China

This test report may be duplicated completely for legal use with the approval of the applicant. It should not be reproduced except in full, without the written approval of our laboratory. The client should not use it to claim product endorsement by KSIGN. The test results in the report only apply to the tested sample. The test report shall be invalid without all the signatures of testing engineers, reviewer and approver. Any objections must be raised to KSIGN within 15 days since the date when the report is received. It will not be taken into consideration beyond this limit. The test report merely correspond to the test sample.



**TABLE OF CONTENTS****Page**

<b>1. TEST SUMMARY.....</b>	<b>3</b>
1.1. TEST STANDARDS.....	3
1.2. REPORT VERSION.....	3
1.3. TEST DESCRIPTION.....	4
1.4. TABLE OF CARRIER FREQUENCY.....	4
1.5. MEASUREMENT UNCERTAINTY.....	5
1.6. ENVIRONMENTAL CONDITIONS.....	5
<b>2. GENERAL INFORMATION.....</b>	<b>6</b>
2.1. GENERAL DESCRIPTION OF EUT.....	6
2.2. DESCRIPTION OF TEST MODES.....	7
2.3. MEASUREMENT INSTRUMENTS LIST.....	8
2.4. TEST SOFTWARE.....	9
<b>3. TEST ITEM AND RESULTS.....</b>	<b>10</b>
3.1. ANTENNA REQUIREMENT.....	10
3.2. 20dB BANDWIDTH.....	11
3.3. CONDUCTED EMISSION.....	13
3.4. RADIATED SPURIOUS EMISSIONS.....	16
3.5. BAND EDGE EMISSIONS(RADIATED).....	24
<b>4. EUT TEST PHOTOS.....</b>	<b>29</b>
<b>5. PHOTOGRAPHS OF EUT CONSTRUCTIONAL.....</b>	<b>31</b>



## 1. TEST SUMMARY

### 1.1. Test Standards

The tests were performed according to following standards:

**FCC Rules Part 15.249:** Operation within the bands 902-928 MHz, 2400-2483.5 MHz, 5725-5875 MHz, and 24.0-24.25 GHz.

**ANSI C63.10-2013:** American National Standard for Testing Unlicensed Wireless Devices.

### 1.2. Report version

Revised No.	Date of issue	Description
01	Nov. 30, 2020	Original



### 1.3. Test Description

FCC Rules Part 15.249			
Test Item	Section in CFR 47	Result	Test Engineer
	FCC		
Antenna requirement	15.203	Pass	Rory Huang
AC Power Line Conducted Emissions	15.207	Pass	Rory Huang
20dB Bandwidth	Section 15.215(c)	Pass	Rory Huang
Band edge Emissions	Section 15.249(d)	Pass	Rory Huang
Radiated Spurious Emissions	Section 15.205(a),Section 15.209(a), Section 15.249,Section 15.35	Pass	Rory Huang

Note:

1. The measurement uncertainty is not included in the test result.

### 1.4. Table of Carrier Frequency

Frequency Band	Channel Number	Frequency
915MHz	1	915MHz



### 1.5. Measurement Uncertainty

The data and results referenced in this document are true and accurate. The reader is cautioned that there may be errors within the calibration limits of the equipment and facilities. The measurement uncertainty was calculated for all measurements listed in this test report acc. to TR-100028-01” Electromagnetic compatibility and Radio spectrum Matters (ERM);Uncertainties in the measurement of mobile radio equipment characteristics; Part 1” and TR-100028-02 “Electromagnetic compatibility and Radio spectrum Matters (ERM);Uncertainties in the measurement of mobile radio equipment characteristics; Part 2 “ and is documented in the KSIGN(Guangdong) Testing Co., Ltd. system acc. to DIN EN ISO/IEC 17025. Furthermore, component and process variability of devices similar to that tested may result in additional deviation. The manufacturer has the sole responsibility of continued compliance of the device. Below is the best measurement capability for KSIGN(Guangdong) Testing Co., Ltd.

Test Items	Measurement Uncertainty	Notes
Transmitter power conducted	0.42 dB	(1)
Transmitter power Radiated	2.14 dB	(1)
Conducted spurious emissions 9kHz~40GHz	1.60 dB	(1)
Radiated spurious emissions 9kHz~40GHz	2.20 dB	(1)
Conducted Emissions 9kHz~30MHz	3.20 dB	(1)
Radiated Emissions 30~1000MHz	4.70 dB	(1)
Radiated Emissions 1~18GHz	5.00 dB	(1)
Radiated Emissions 18~40GHz	5.54 dB	(1)
Occupied Bandwidth	2.80 dB	(1)

**Note (1):** This uncertainty represents an expanded uncertainty expressed at approximately the 95% confidence level using a coverage factor of k=1.96.

### 1.6. Environmental conditions

During the measurement the environmental conditions were within the listed ranges:

Temperature:	15~35°C
Relative Humidity:	30~60 %
Air Pressure:	950~1050mba



## 2. GENERAL INFORMATION

### 2.1. General Description of EUT

Test Sample Number:	1-1-1(Normal Sample),1-1-2(Engineering Sample )
Product Name:	<b>LoRaWAN Node</b>
Trade Mark:	/
Model/Type reference:	LW004-CT
Listed Model(s):	/
Model Different:	/
Power supply	DC 5V $\Rightarrow$ 1A
Power supply(Battery)	DC 3.7V $\Rightarrow$ 540mAh 1.998Wh
Hardware version:	V1.0.4
Software version:	V1.0.10
<b>Specification</b>	
Modulation:	GFSK
Operation frequency:	915MHz
Channel number:	1
Antenna type:	FPC Antenna
Antenna gain:	1.40 dBi



## 2.2. Description of Test Modes

Operation Frequency List: The EUT has been tested under typical operating condition. The Applicant provides communication tools software to control the EUT for staying in continuous transmitting and receiving mode for testing.

Test Frequency: 915MHz

### Test mode

For RF test items:

The engineering test program was provided and enabled to make EUT continuous transmit.

For Radiated spurious emissions test item:

The engineering test program was provided and enabled to make EUT continuous transmit. The EUT in each of three orthogonal axis emissions had been tested, but only the worst case (X axis) data recorded in the report.



### 2.3. Measurement Instruments List

Tonscend JS0806-2 Test system					
Item	Test Equipment	Manufacturer	Model No.	Serial No.	Cal. Until
1	Spectrum Analyzer	R&S	FSV40-N	101798	04/07/2021
2	Vector Signal Generator	Agilent	N5182A	MY50142520	04/07/2021
3	Analog Signal Generator	HP	83752A	3344A00337	04/07/2021
4	Power Sensor	Agilent	E9304A	MY50390009	04/07/2021
5	Power Sensor	Agilent	E9300A	MY41498315	04/07/2021
6	Wideband Radio Communication Tester	R&S	CMW500	157282	04/07/2021
7	Climate Chamber	Angul	AGNH80L	1903042120	04/07/2021
8	Dual Output DC Power Supply	Agilent	E3646A	MY40009992	04/07/2021
9	RF Control Unit	Tonscend	JS0806-2	/	04/07/2021

Transmitter spurious emissions & Receiver spurious emissions					
Item	Test Equipment	Manufacturer	Model No.	Serial No.	Cal. Until
1	EMI Test Receiver	R&S	ESR	102525	04/07/2021
2	High Pass Filter	Chengdu E-Microwave	OHF-3-18-S	0E01901038	03/27/2021
3	High Pass Filter	Chengdu E-Microwave	OHF-6.5-18-S	0E01901039	03/27/2021
4	Spectrum Analyzer	HP	8593E	3831U02087	04/07/2021
5	Ultra-Broadband logarithmic period Antenna	Schwarzbeck	VULB 9163	01230	03/29/2023
6	Loop Antenna	Beijin ZHINAN	ZN30900C	18050	03/25/2021
7	Spectrum Analyzer	R&S	FSV40-N	101798	04/07/2021
8	Horn Antenna	Schwarzbeck	BBHA 9120 D	2023	03/29/2023
9	Pre-Amplifier	Schwarzbeck	BBV 9745	9745#129	04/07/2021
10	Pre-Amplifier	EMCI	EMC051835SE	980662	04/07/2021
11	Pre-Amplifier	Schwarzbeck	BBV-9721	57	04/07/2021
12	Horn Antenna	Schwarzbeck	BBHA 9170	00939	03/29/2021

Item	Test Equipment	Manufacturer	Model No.	Serial No.	Cal. Until
1	LISN	R&S	ENV432	1326.6105.02	03/27/2021
2	EMI Test Receiver	R&S	ESR	102524	04/07/2021
3	Manual RF Switch	JS TOYO	/	MSW-01/002	04/07/2021

Note:

1)The Cal. Interval was one year.

2)The cable loss has calculated in test result which connection between each test instruments.



## 2.4. Test Software

Software name	Model	Version
Conducted emission Measurement Software	EZ-EMC	EMC-Con 3A1.1
Radiated emission Measurement Software	EZ-EMC	FA-03A.2.RE
Bluetooth and WIFI Test System	JS1120-3	2.5.77.0418



### 3. TEST ITEM AND RESULTS

#### 3.1. Antenna requirement

##### Requirement

##### **FCC CFR Title 47 Part 15 Subpart C Section 15.203:**

An intentional radiator shall be designed to ensure that no antenna other than that furnished by the responsible party shall be used with the device. The use of a permanently attached antenna or of an antenna that uses a unique coupling to the intentional radiator, the manufacturer may design the unit so that a broken antenna can be replaced by the user, but the use of a standard antenna jack or electrical connector is prohibited.

##### **FCC CFR Title 47 Part 15 Subpart C Section 15.247(c) (1)(i):**

(i) Systems operating in the 902~928 MHz band that is used exclusively for fixed. Point-to-point operations may employ transmitting antennas with directional gain greater than 6dBi provided the maximum conducted output power of the intentional radiator is reduced by 1 dB for every 3 dB that the directional gain of the antenna exceeds 6dBi.

##### Test Result

The directional gain of the antenna less than 6dBi, please refer to the EUT internal photographs antenna photo.

Note: The antenna is permanently fixed to the EUT

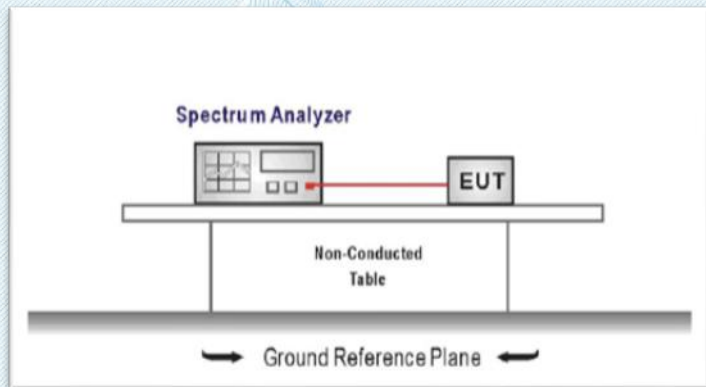


### 3.2. 20dB Bandwidth

#### Limit

Operation Frequency range 902MHz~928MHz.

#### Test Configuration



#### Test Procedure

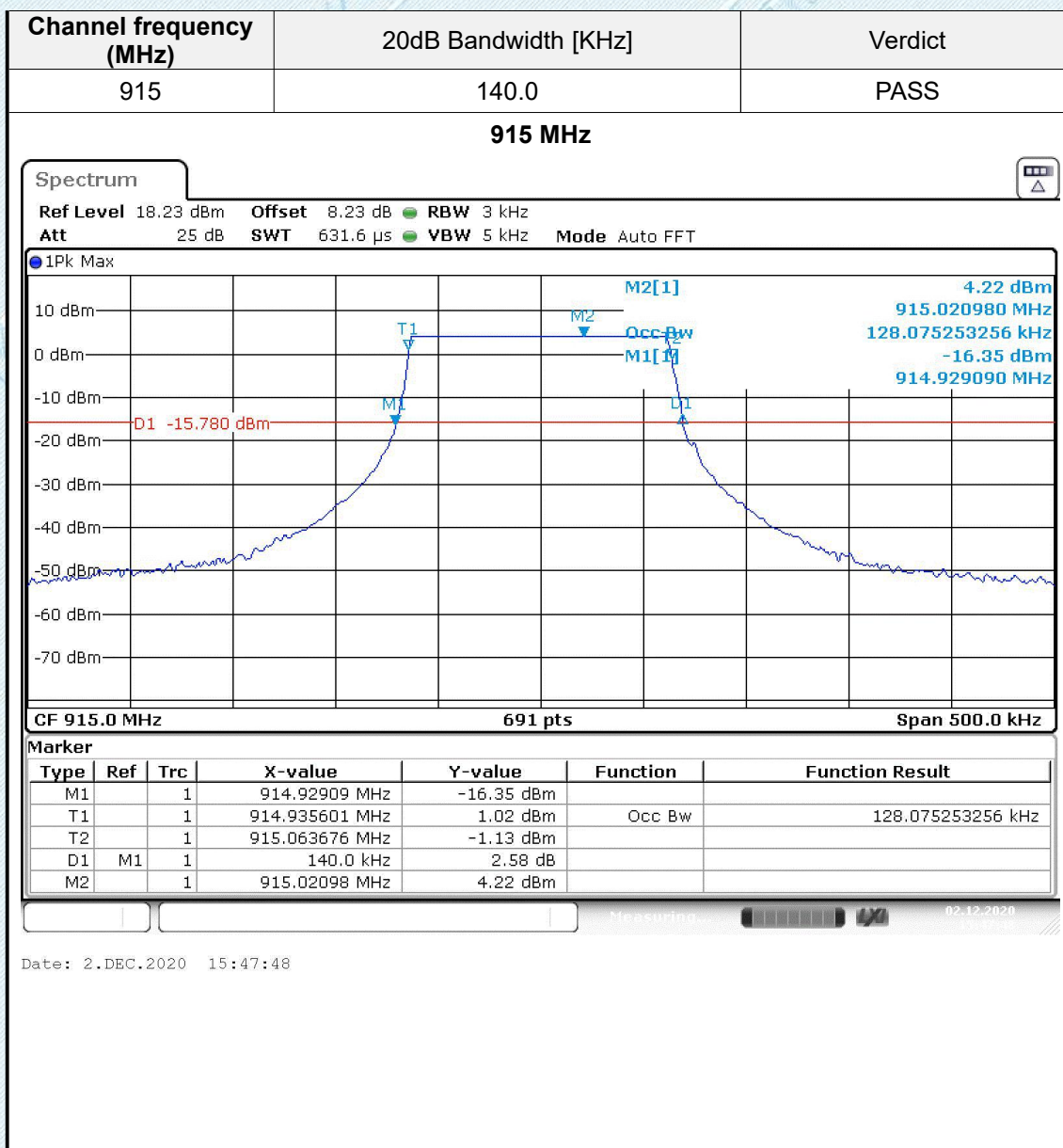
1. The transmitter output was connected to the spectrum analyzer through an attenuator, the path loss was compensated to the results for each measurement.
2. Set to the maximum power setting and enable the EUT transmit continuously
3. Use the following spectrum analyzer settings:  
 Span = approximately 2 to 3 times the 20 dB bandwidth, centered on a hopping channel  
 RBW  $\geq$  1% of the 20 dB bandwidth, VBW  $\geq$  RBW  
 Sweep = auto, Detector function = peak, Trace = max hold
4. Measure and record the results in the test report.

#### Test Mode

Please refer to the clause 2.2.

#### Test Results







### 3.3. Conducted Emission

#### Limit

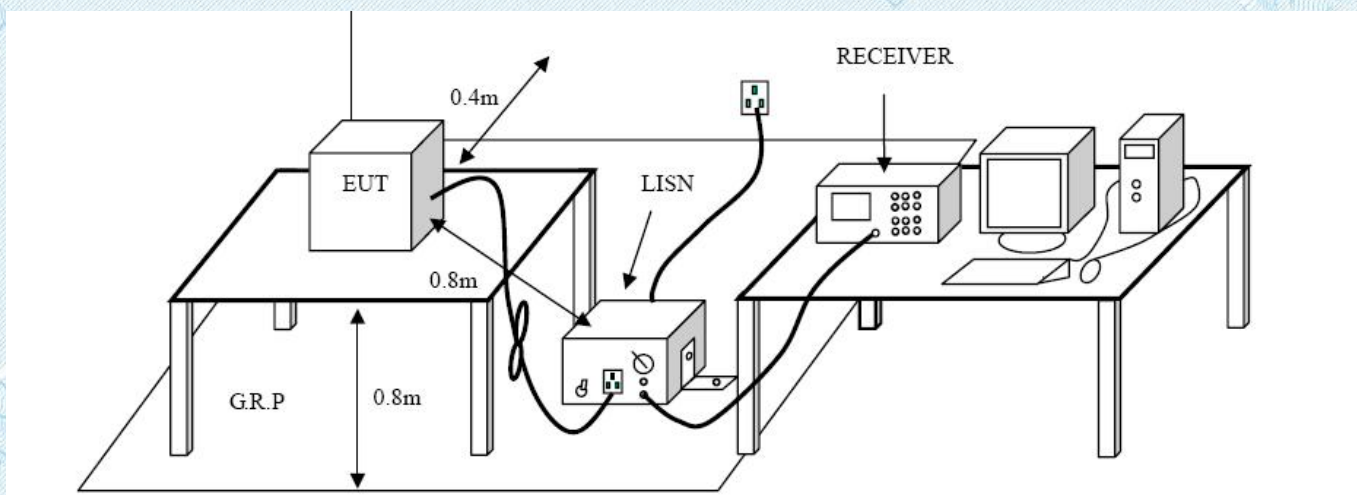
Conducted Emission Test Limit

Frequency	Maximum RF Line Voltage (dB $\mu$ V)	
	Quasi-peak Level	Average Level
150kHz~500kHz	66 ~ 56 *	56 ~ 46 *
500kHz~5MHz	56	46
5MHz~30MHz	60	50

Notes:

- (1) \*Decreasing linearly with logarithm of the frequency.
- (2) The lower limit shall apply at the transition frequencies.
- (3) The limit decrease in line with the logarithm of the frequency in the range of 0.15 to 0.50MHz.

#### Test Configuration



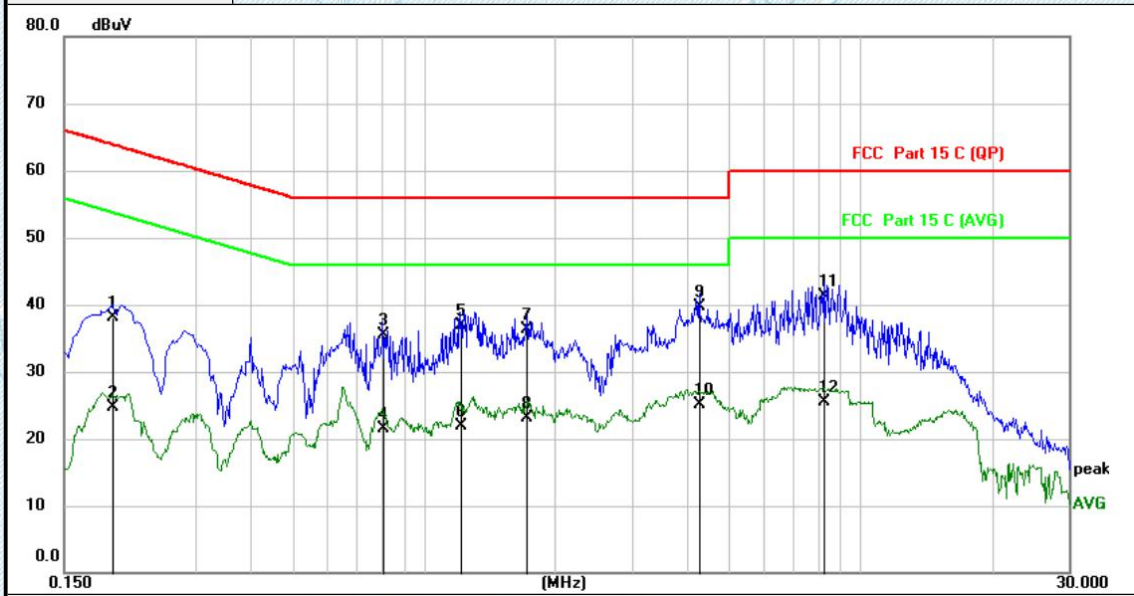
#### Test Procedure

1. The EUT was setup according to ANSI C63.10:2013 requirements.
2. The EUT was placed on a platform of nominal size, 1 m by 1.5 m, raised 80 cm above the conducting ground plane. The vertical conducting plane was located 40 cm to the rear of the EUT. All other surfaces of EUT were at least 80 cm from any other grounded conducting surface.
3. The EUT and simulators are connected to the main power through a line impedances stabilization network (LISN). The LISN provides a 50ohm /50uH coupling impedance for the measuring equipment. The peripheral devices are also connected to the main power through a LISN. (Please refer to the block diagram of the test setup and photographs)
4. Each current-carrying conductor of the EUT power cord, except the ground (safety) conductor, was individually connected through a LISN to the input power source.
5. The excess length of the power cord between the EUT and the LISN receptacle were folded back and forth at the center of the lead to form a bundle not exceeding 40 cm in length.
6. Conducted Emissions were investigated over the frequency range from 0.15MHz to 30MHz using a receiver bandwidth of 9 kHz.
7. During the above scans, the emissions were maximized by cable manipulation.

#### Test Results



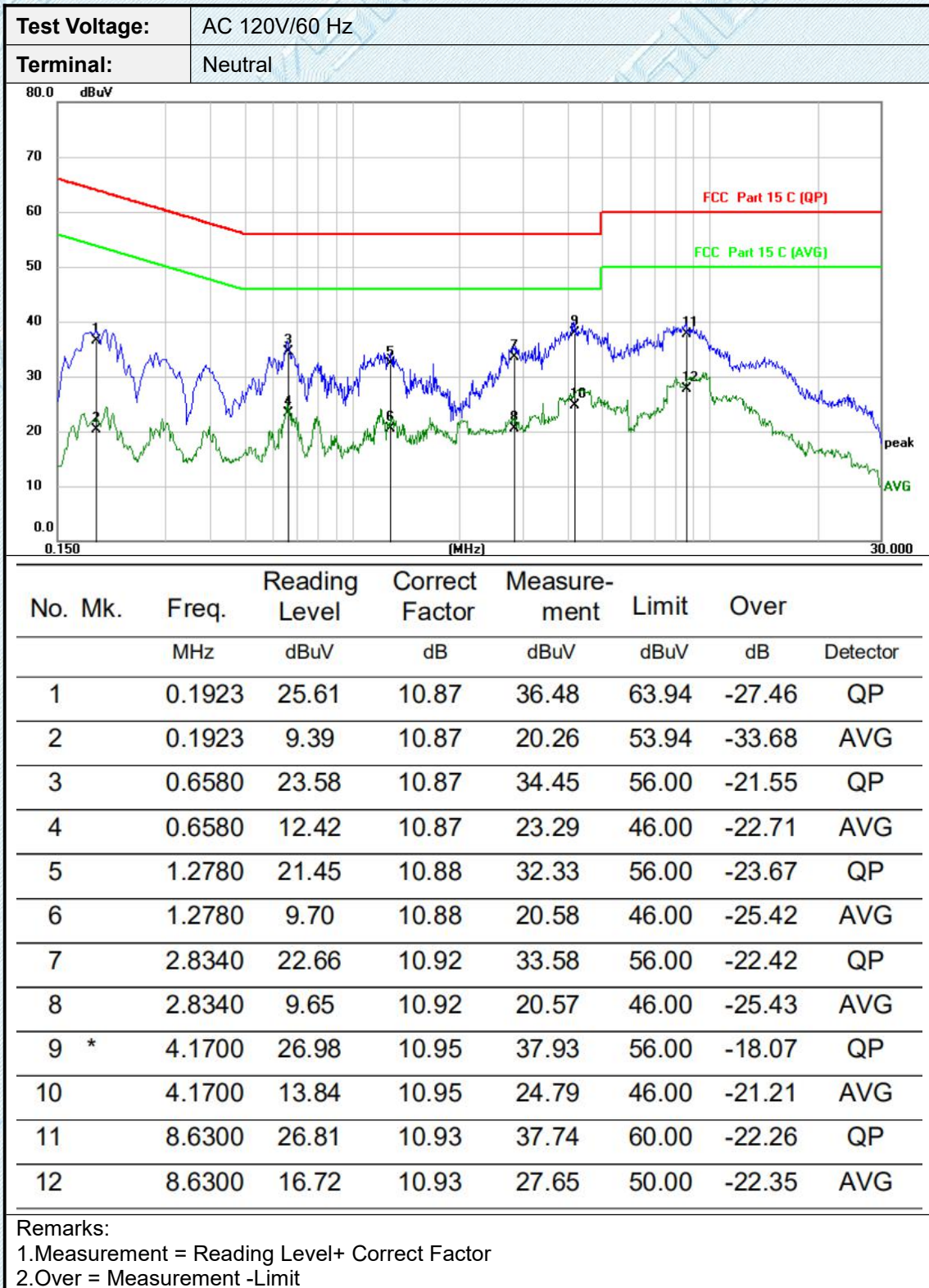
<b>Test Voltage:</b>	AC 120V/60 Hz
<b>Terminal:</b>	Line



No.	Mk.	Freq. MHz	Reading Level dBuV	Correct Factor dB	Measure- ment dBuV	Limit dBuV	Over dB	Detector
1		0.1940	27.17	10.87	38.04	63.86	-25.82	QP
2		0.1940	13.74	10.87	24.61	53.86	-29.25	AVG
3		0.8059	24.63	10.88	35.51	56.00	-20.49	QP
4		0.8059	10.59	10.88	21.47	46.00	-24.53	AVG
5		1.2100	25.99	10.88	36.87	56.00	-19.13	QP
6		1.2100	11.00	10.88	21.88	46.00	-24.12	AVG
7		1.7177	25.41	10.88	36.29	56.00	-19.71	QP
8		1.7177	12.30	10.88	23.18	46.00	-22.82	AVG
9	*	4.2857	28.66	10.96	39.62	56.00	-16.38	QP
10		4.2857	14.11	10.96	25.07	46.00	-20.93	AVG
11		8.2500	30.39	10.96	41.35	60.00	-18.65	QP
12		8.2500	14.57	10.96	25.53	50.00	-24.47	AVG

Remarks:  
 1.Measurement = Reading Level+ Correct Factor  
 2.Over = Measurement -Limit







### 3.4. Radiated Spurious Emissions

**LIMIT**

FCC CFR Title 47 Part 15 Subpart C Section 15.209(a) and 15.205(a)

**Standard FCC15.249**

Fundamental Frequency	Field Strength of Fundamental (millivolts/meter)	Field Strength of Harmonics (microvolts/meter)
900-928MHz	50 (94dBuV/m @3m)	500 (54dBuV/m @3m)
2400-2483.5MHz	50 (94dBuV/m @3m)	500 (54dBuV/m @3m)
5725-5875MHz	50 (94dBuV/m @3m)	500 (54dBuV/m @3m)
24.0-24.25GHz	250 (108dBuV/m @3m)	2500 (68dBuV/m @3m)

**Standard FCC 15.209**

Frequency (MHz)	Distance Meters	Field Strengths Limit	
		μ V/m	dB(μV)/m
0.009 ~ 0.490	300	2400/F(kHz)	---
0.490 ~ 1.705	30	24000/F(kHz)	---
1.705 ~ 30	30	30	---
30 ~ 88	3	100	40.0
88 ~ 216	3	150	43.5
216 ~ 960	3	200	46.0
960 ~ 1000	3	500	54.0
Above 1000	3	Other:74.0dB(μV)/m(Peak) 54.0dB(μV)/m (Average)	

Remark: (1) Emission level dB μ V = 20 log Emission level μ V/m  
 (2) The smaller limit shall apply at the cross point between two frequency bands.  
 (3) Distance is the distance in meters between the measuring instrument, antenna and the closest point of any part of the device or system.

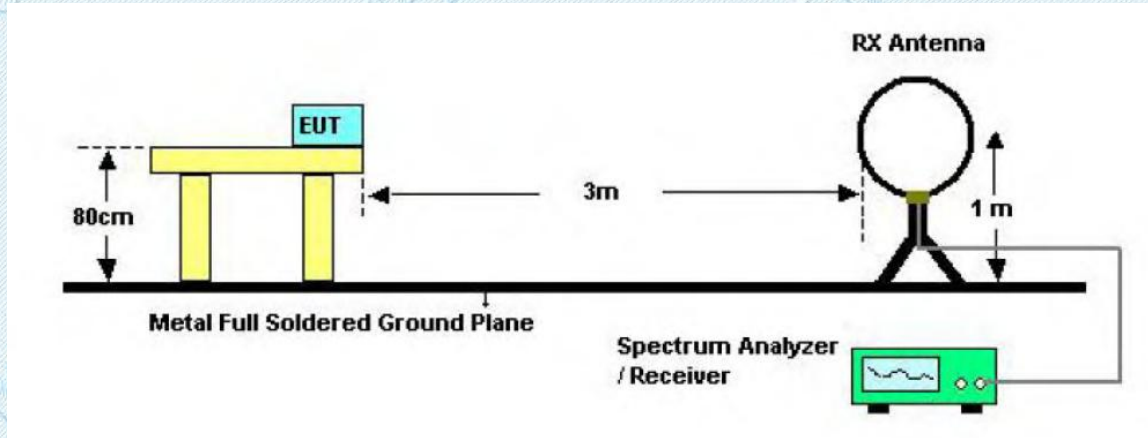
**FREQUENCY RANGE OF RADIATED MEASUREMENT**

Spectrum Parameter	Setting
Start ~Stop Frequency	9KHz~150KHz/RB 200Hz for QP
Start ~Stop Frequency	150KHz~30MHz/RB 9KHz for QP
Start ~Stop Frequency	30MHz~1000MHz/RB 120KHz for QP
Start ~Stop Frequency	1GHz~26.5GHz RBW 1MHz/ VBW 1MHz for Peak, RBW 1MHz/ VBW 10Hz for Average

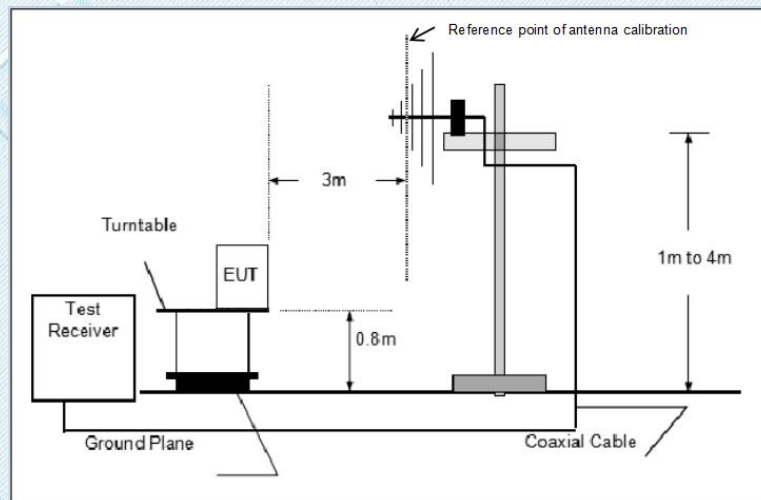
Receiver Parameter	Setting
Start ~Stop Frequency	9KHz~150KHz/RB 200Hz for QP
Start ~Stop Frequency	150KHz~30MHz/RB 9KHz for QP
Start ~Stop Frequency	30MHz~1000MHz/RB 120KHz for QP



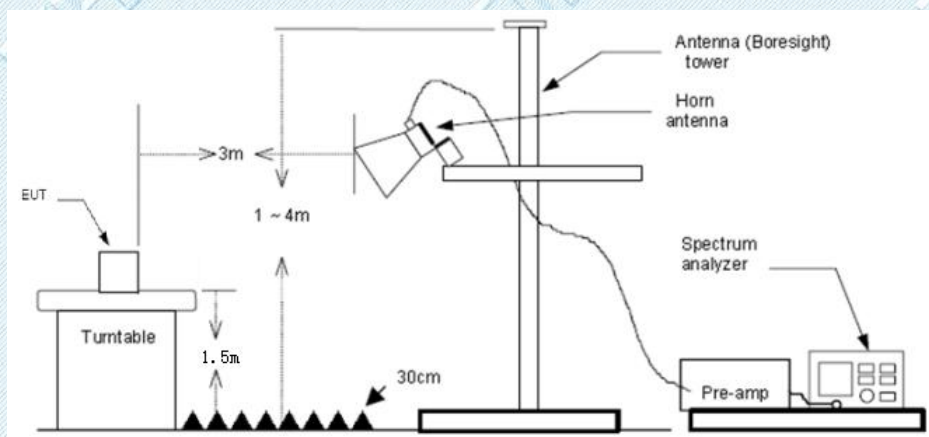
**Test Configuration**



Below 30MHz Test Setup



Below 1000MHz Test Setup



Above 1GHz Test Setup



### Test Procedure

1. The EUT was setup and tested according to ANSI C63.10:2013
2. The EUT is placed on a turn table which is 0.8 meter above ground for below 1 GHz, and 1.5 m for above 1 GHz. The turn table is rotated 360 degrees to determine the position of the maximum emission level.
3. The EUT was set 3 meters from the receiving antenna, which was mounted on the top of a variable height antenna tower.
4. For each suspected emission, the EUT was arranged to its worst case and then tune the Antenna tower (from 1 m to 4 m) and turntable (from 0 degree to 360 degrees) to find the maximum reading. A pre-amp and a high pass filter are used for the test in order to get better signal level to comply with the guidelines.
5. Set to the maximum power setting and enable the EUT transmit continuously.
6. Use the following spectrum analyzer settings
  - (1) Span shall wide enough to fully capture the emission being measured;
  - (2) Below 1 GHz:  
RBW=120 kHz, VBW=300 kHz, Sweep=auto, Detector function=peak, Trace=max hold;  
If the emission level of the EUT measured by the peak detector is 3 dB lower than the applicable limit, the peak emission level will be reported. Otherwise, the emission measurement will be repeated using the quasi-peak detector and reported.
  - (3) From 1 GHz to 10<sup>th</sup> harmonic:  
RBW=1MHz, VBW=3MHz Peak detector for Peak value.  
RBW=1MHz, VBW=10HzPeak detector for Average value.

### TEST MODE:

Please refer to the clause 2.2

### TEST RESULTS

**Passed**                       **Not Applicable**

#### **9 KHz~30 MHz and 18GHz~25GHz**

From 9 KHz~30 MHz and 18GHz~25GHz: Conclusion: PASS

Note:

- 1) Final level = Reading level + Correct Factor  
Correct Factor=Antenna Factor + Cable Loss -Preamplifier Factor
- 2) The emission levels of other frequencies are very lower than the limit and not show in test report.
- 3) The amplitude of spurious emissions which are attenuated by more than 20dB below the permissible value has no need to be reported.
- 4) 18GHz ~ 25GHz  
The EUT was pre-scanned the frequency band (18GHz~25GHz), found the radiated level(Background noise) lower than the limit, so don't show on the report.



**Radiated field strength of the fundamental signal**

Frequency (MHz)	Read Level (dBuV)	Correct Factor (dB/m)	Level (dBuV/m )	Limit Line (dBuV/m)	Over Limit (dBuV/m)	Polarization	Test value
915	89.92	-4.07	85.85	94	-8.15	Vertical	Peak
915	95.40	-4.07	91.33	94	-2.67	Horizontal	Peak

Note:

Correct Factor=Antenna Factor + Cable Loss -Preamplifier Factor

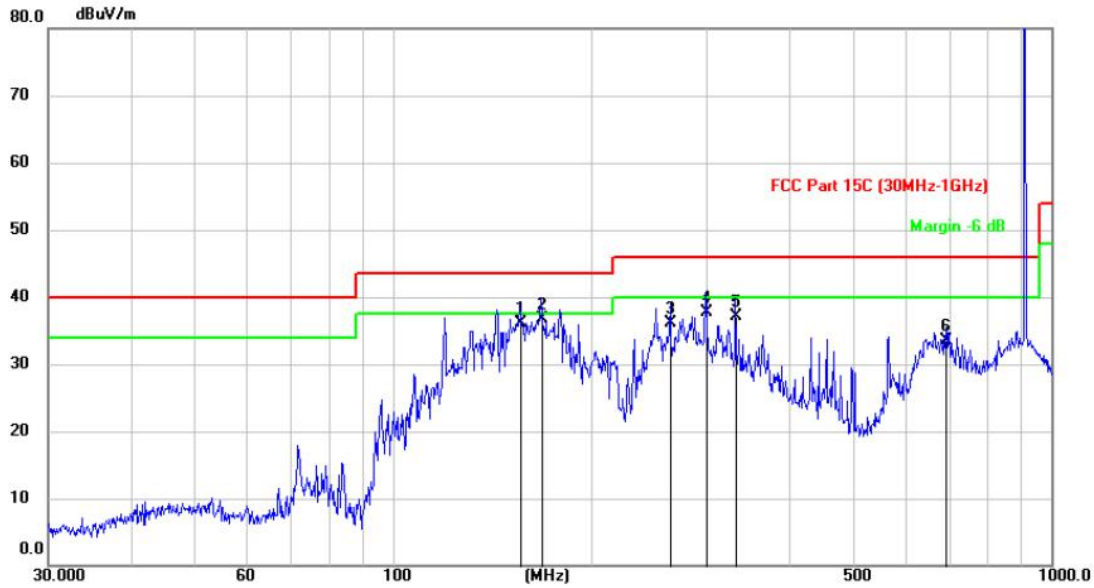
**RADIATED EMISSION BELOW 30MHZ**

No emission found between lowest internal used/generated frequencies to 30MHz.

**30MHz-1GHz**



<b>Test Voltage:</b>	DC 3.7V
<b>Ant. Pol.</b>	Horizontal
<b>Test Mode:</b>	TX 915MHz

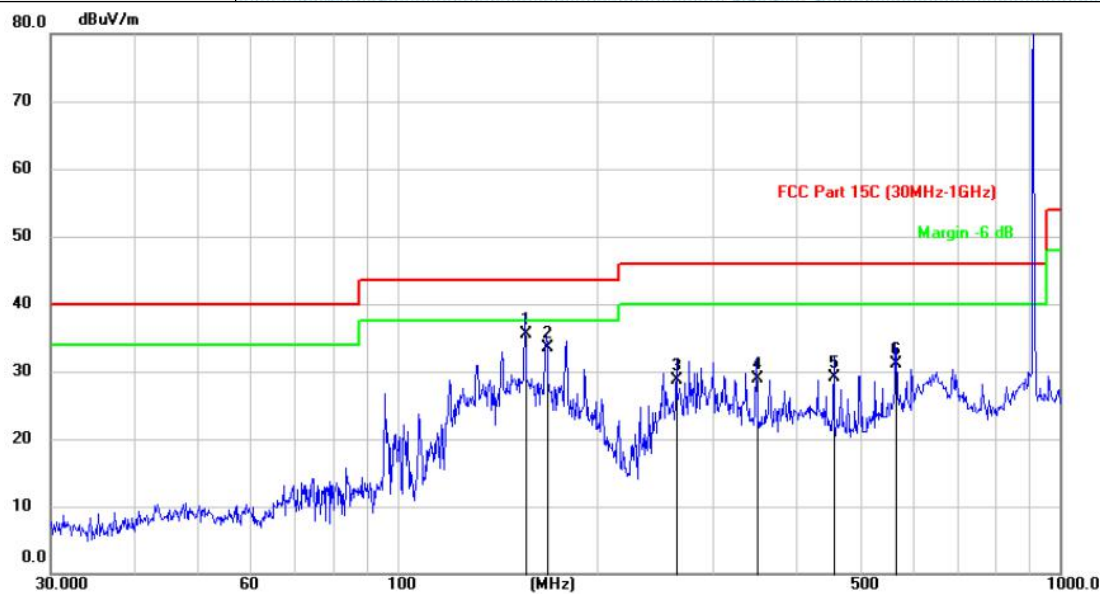


No.	Mk.	Freq. MHz	Reading Level (dBuV)	Correct Factor (dB/m)	Measure- ment (dBuV/m)	Limit (dBuV/m)	Over (dB)	Detector
1		156.2932	57.41	-21.23	36.18	43.50	-7.32	QP
2	*	168.1187	57.50	-20.70	36.80	43.50	-6.70	QP
3		264.0040	51.64	-15.48	36.16	46.00	-9.84	QP
4		298.5820	52.50	-14.70	37.80	46.00	-8.20	QP
5		332.4021	50.38	-13.28	37.10	46.00	-8.90	QP
6		691.9865	40.64	-7.19	33.45	46.00	-12.55	QP

Emission Level= Read Level+ Correct Factor



<b>Test Voltage:</b>	DC 3.7V
<b>Ant. Pol.</b>	Vertical
<b>Test Mode:</b>	TX 915MHz

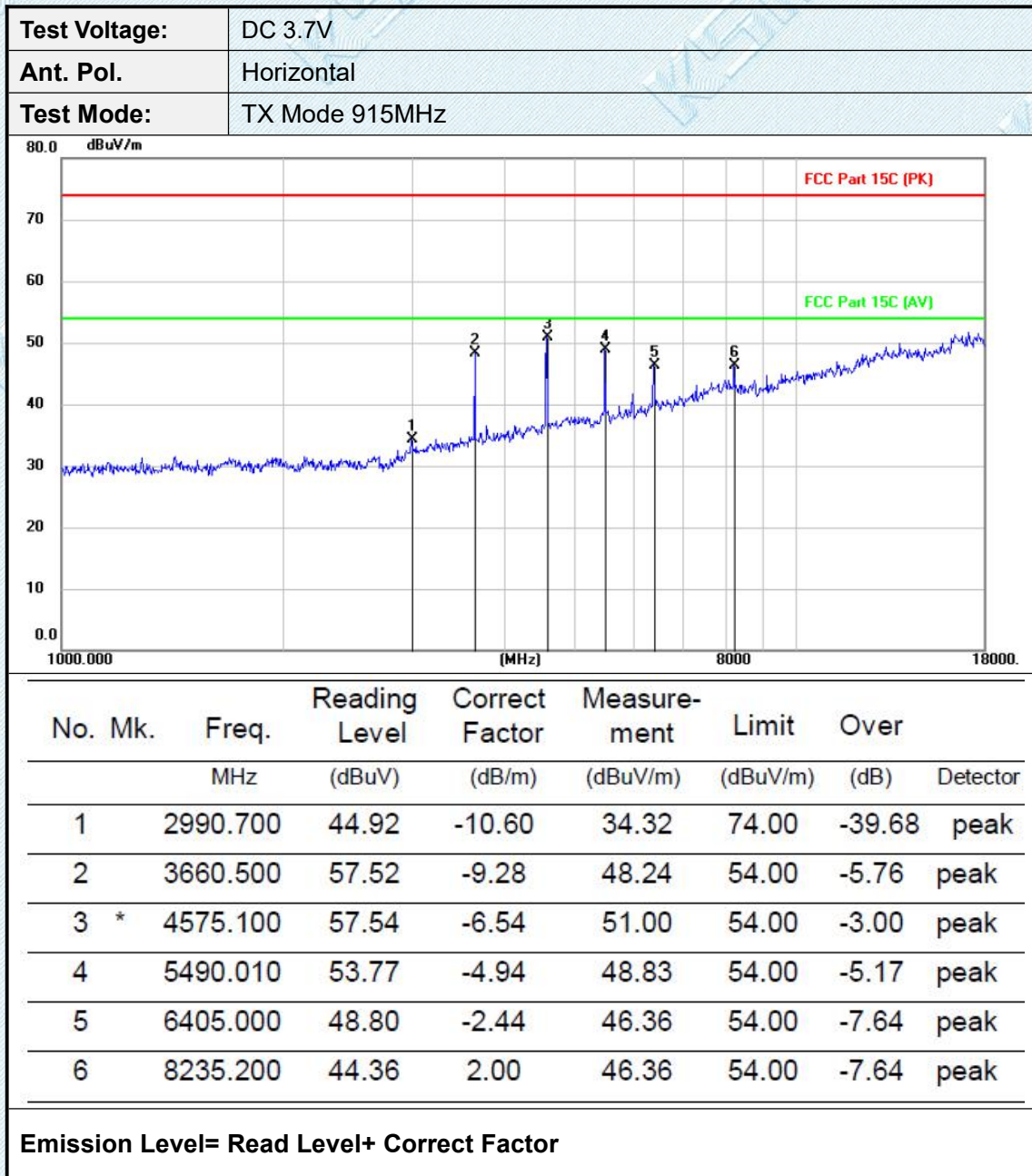


No.	Mk.	Freq. MHz	Reading Level (dBuV)	Correct Factor (dB/m)	Measure- ment (dBuV/m)	Limit (dBuV/m)	Over (dB)	Detector
1	*	156.1837	56.74	-21.24	35.50	43.50	-8.00	QP
2		168.1777	54.15	-20.69	33.46	43.50	-10.04	QP
3		264.0041	44.26	-15.48	28.78	46.00	-17.22	QP
4		348.2716	41.56	-12.61	28.95	46.00	-17.05	QP
5		456.0657	39.46	-10.27	29.19	46.00	-16.81	QP
6		564.8369	39.68	-8.53	31.15	46.00	-14.85	QP

Emission Level= Read Level+ Correct Factor

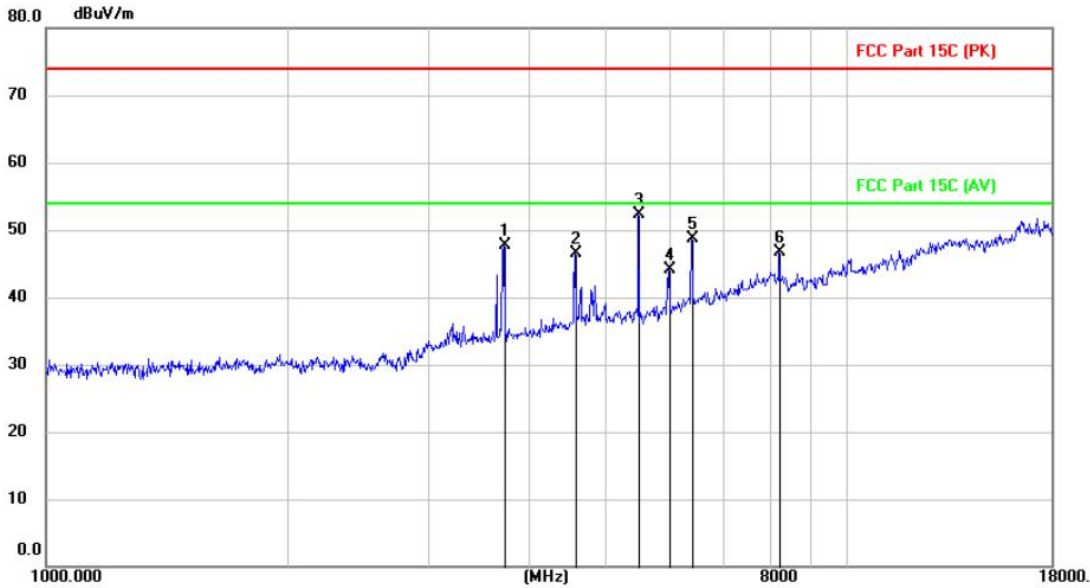


Adobe 1GHz





<b>Test Voltage:</b>	DC 3.7V
<b>Ant. Pol.</b>	Vertical
<b>Test Mode:</b>	TX Mode 915MHz



No. Mk.	Freq. MHz	Reading Level (dBuV)	Correct Factor (dB/m)	Measure- ment (dBuV/m)	Limit (dBuV/m)	Over (dB)	Detector
1	3728.500	56.85	-9.12	47.73	74.00	-26.27	peak
2	4575.100	53.05	-6.54	46.51	54.00	-7.49	peak
3 *	5490.020	57.24	-4.94	52.30	54.00	-1.70	peak
4	5996.300	47.83	-3.81	44.02	74.00	-29.98	peak
5	6405.000	51.18	-2.44	48.74	54.00	-5.26	peak
6	8235.200	44.74	2.00	46.74	54.00	-7.26	peak

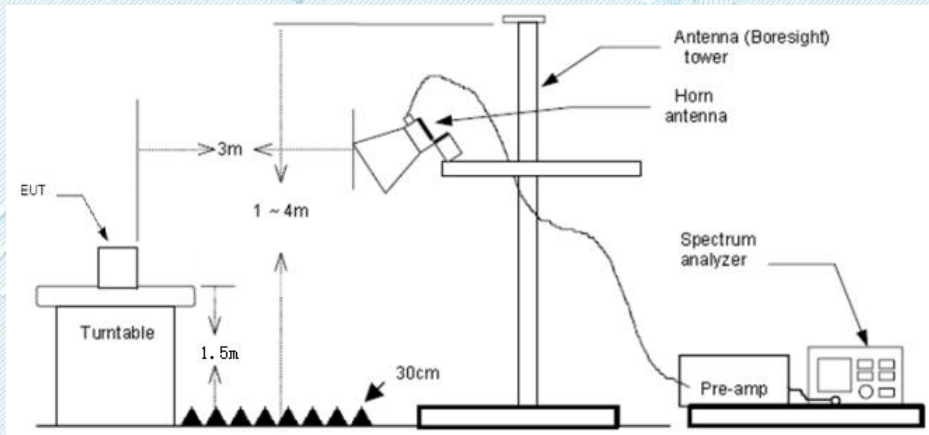
**Emission Level= Read Level+ Correct Factor**

*Note: All the modes had been test but only the worst data record in the report.*



### 3.5. Band Edge Emissions(Radiated)

#### Test Configuration



#### Test Procedure

1. The EUT was setup and tested according to ANSI C63.10:2013
2. The EUT is placed on a turn table which is 0.8 meter above ground for below 1 GHz, and 1.5 m for above 1 GHz. The turn table is rotated 360 degrees to determine the position of the maximum emission level.
3. The EUT was set 3 meters from the receiving antenna, which was mounted on the top of a variable height antenna tower.
4. For each suspected emission, the EUT was arranged to its worst case and then tune the Antenna tower (from 1 m to 4 m) and turntable (from 0 degree to 360 degrees) to find the maximum reading. A pre-amp and a high pass filter are used for the test in order to get better signal level to comply with the guidelines.
5. Set to the maximum power setting and enable the EUT transmit continuously.
6. Use the following spectrum analyzer settings
  - (1) Span shall wide enough to fully capture the emission being measured; RBW=1MHz, VBW=3MHz PEAK detector for Peak value.
  - RBW=1MHz, VBW=10Hz with PEAK Detector for Average Value.

#### Test Mode

Please refer to the clause 2.2.

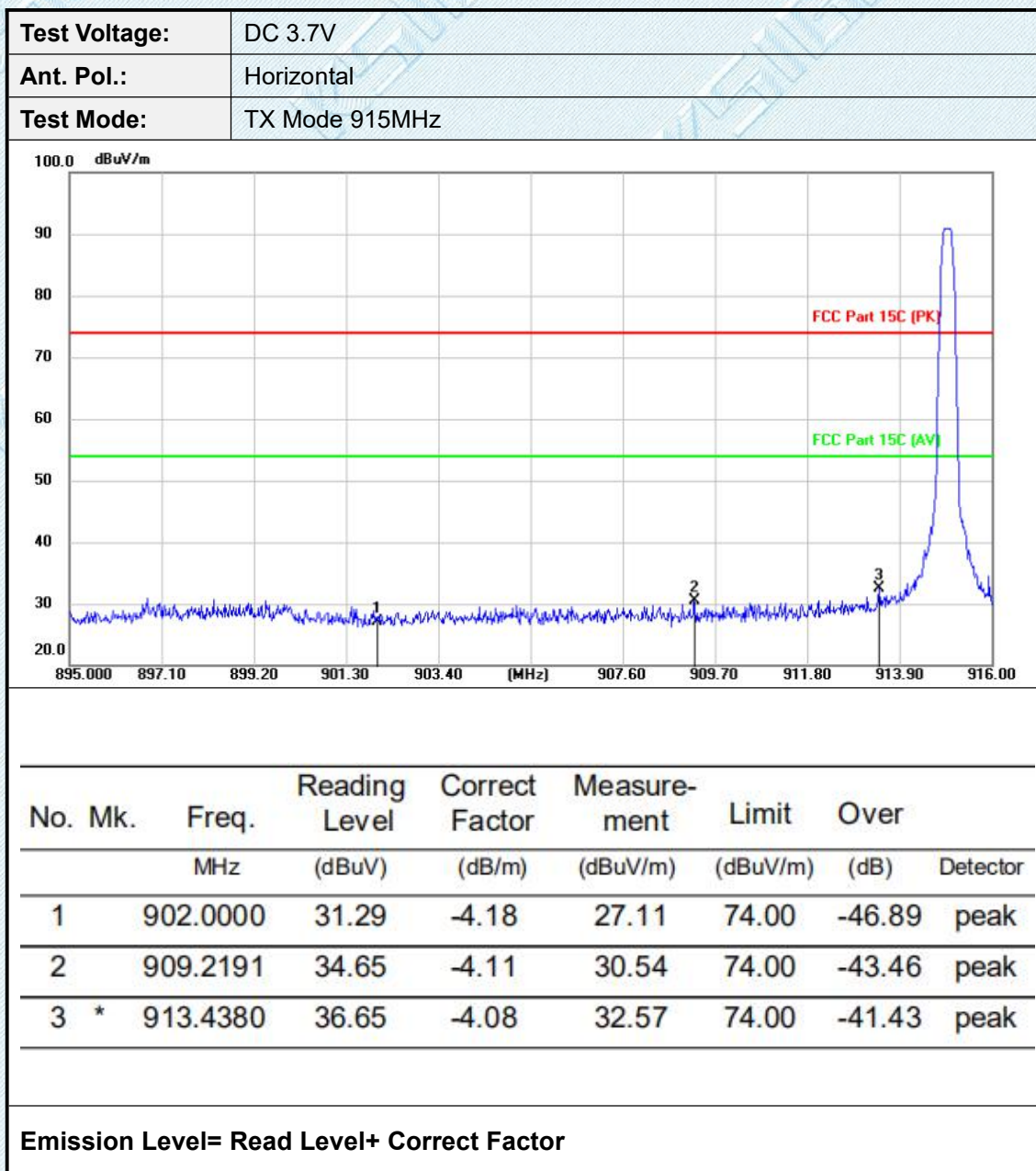
#### Test Results

**Passed**                       **Not Applicable**

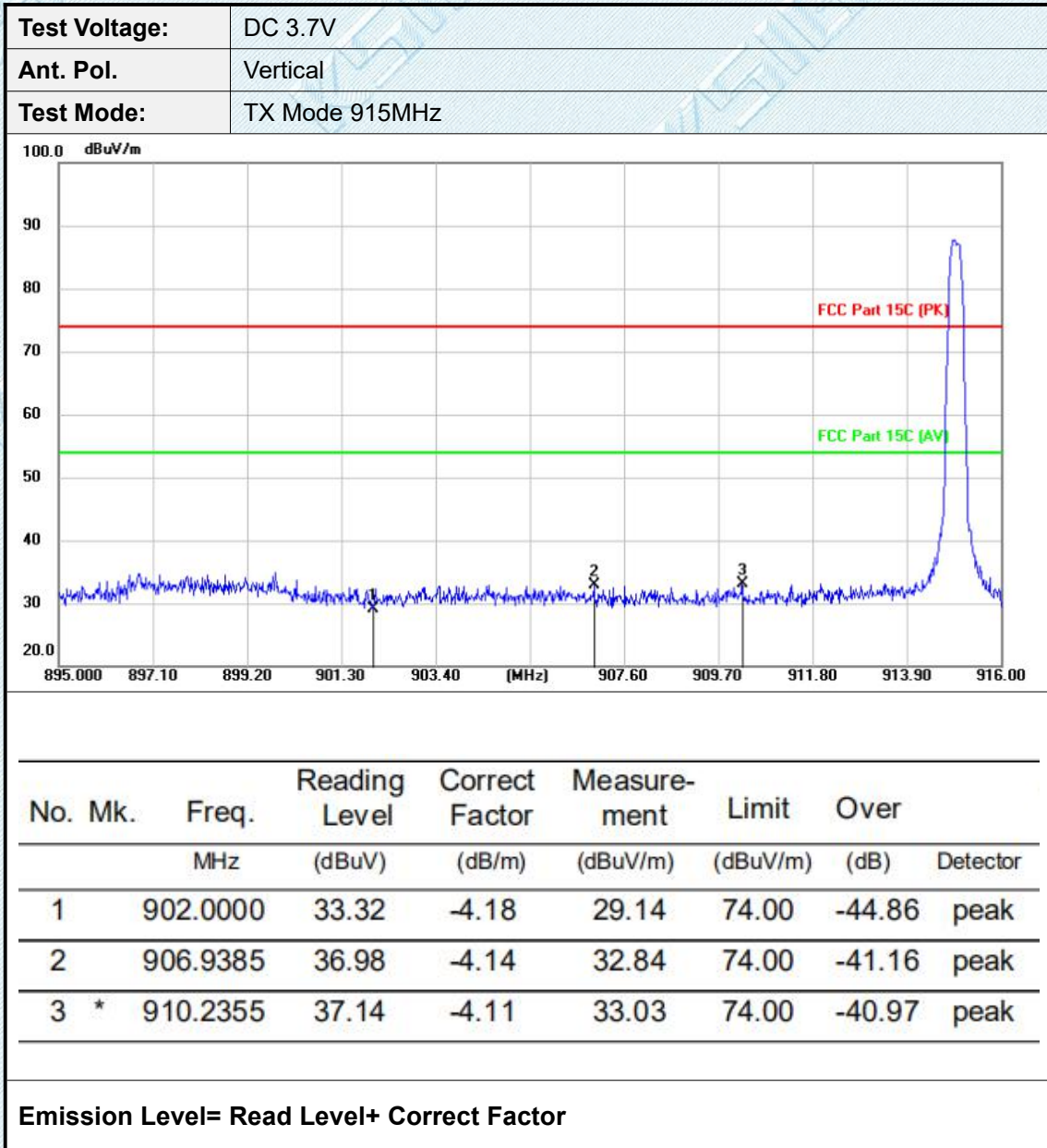
Note:

- 1) Final level= Read level + Antenna Factor + Cable Loss - Preamp Factor
- 2) Correction Factor = Antenna factor + cable loss
- 3) The peak level is lower than average limit(54dBuV/m), this data is the too weak instrument of signal is unable to test.
- 4) The emission levels of other frequencies are very lower than the limit and not show in test report.

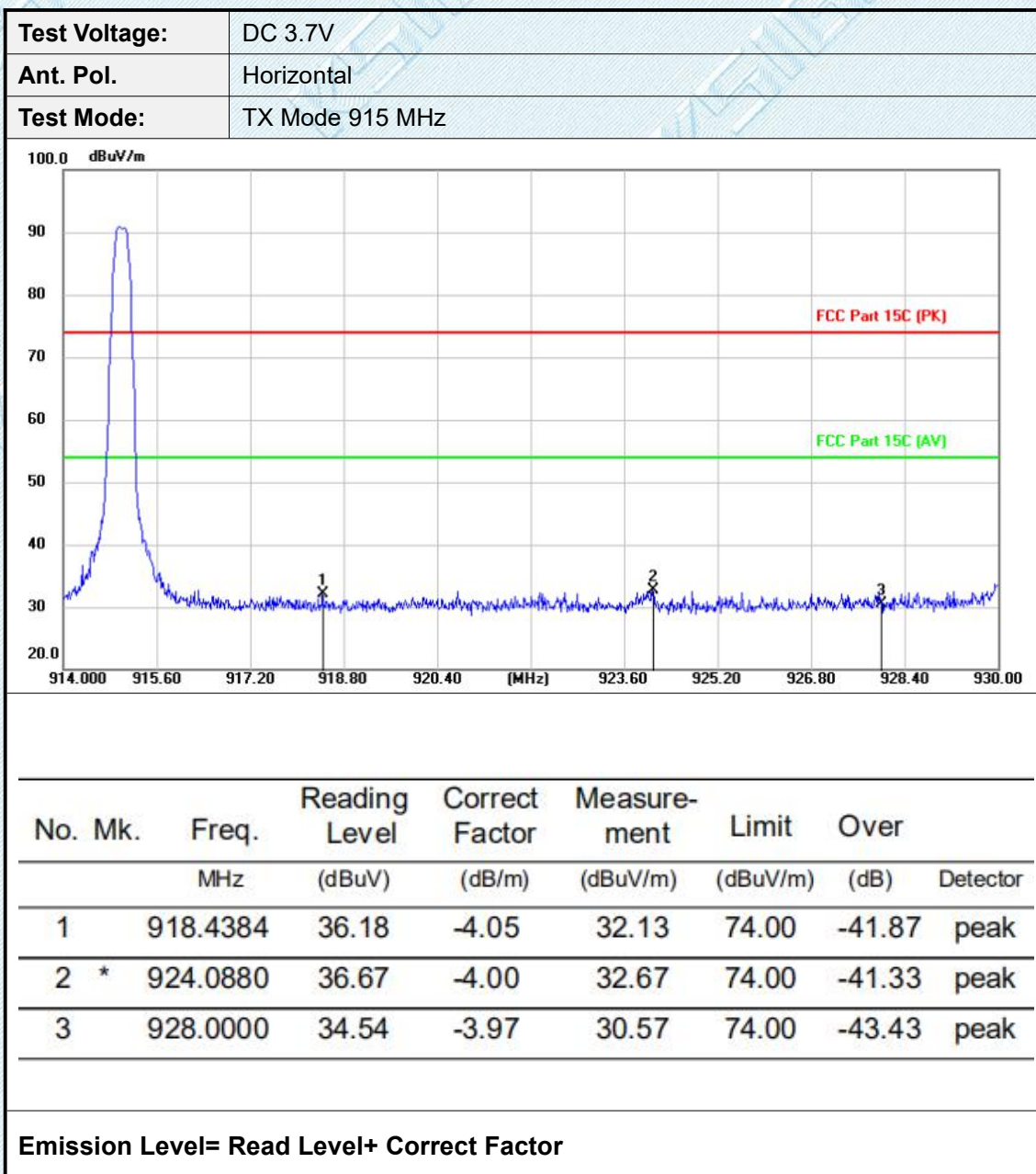




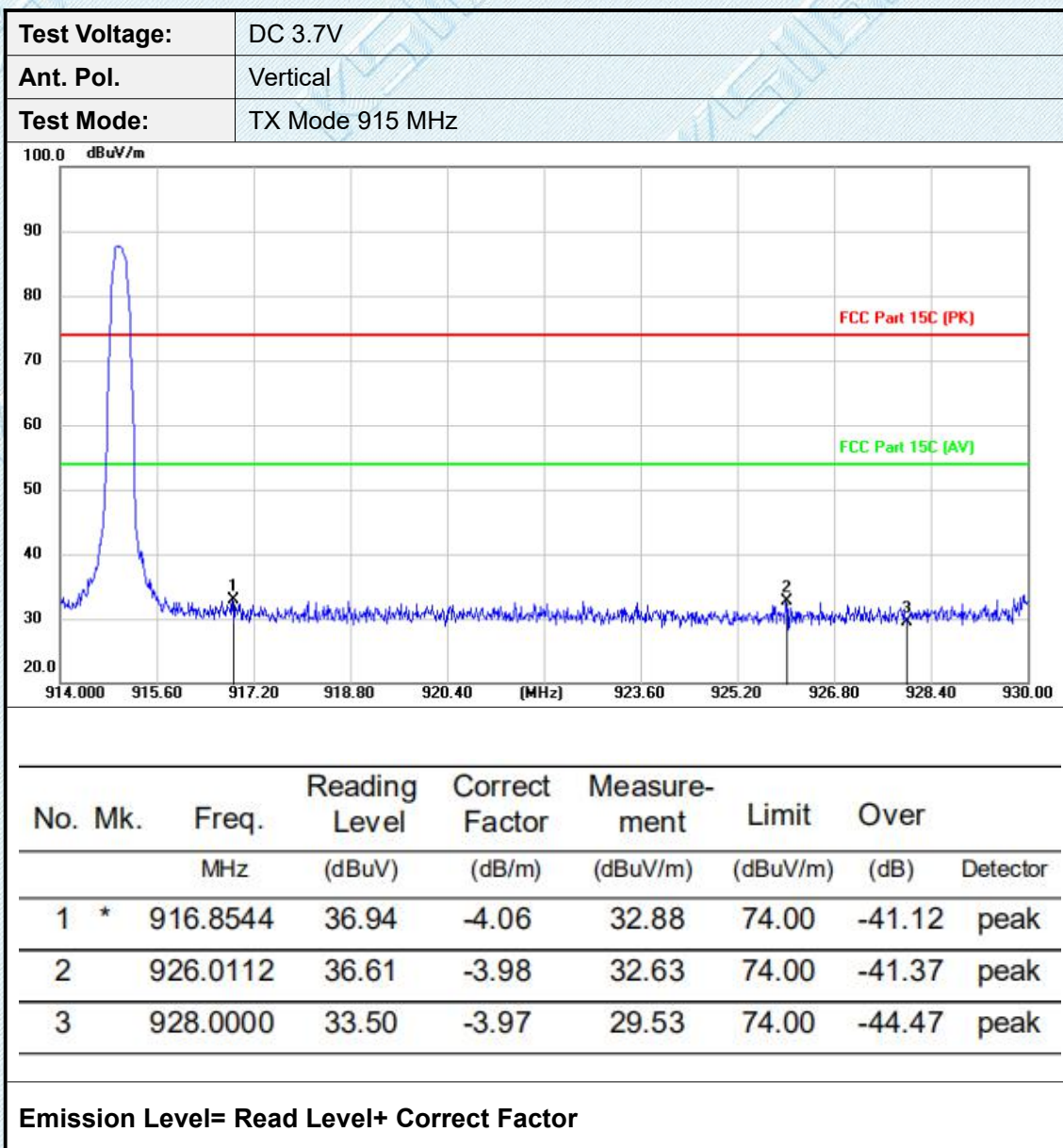










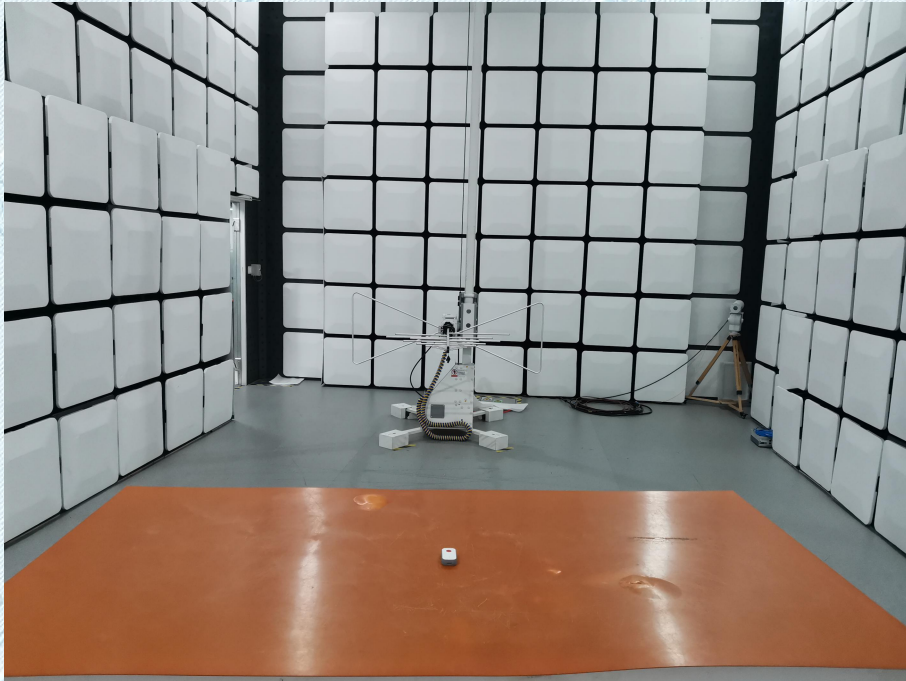




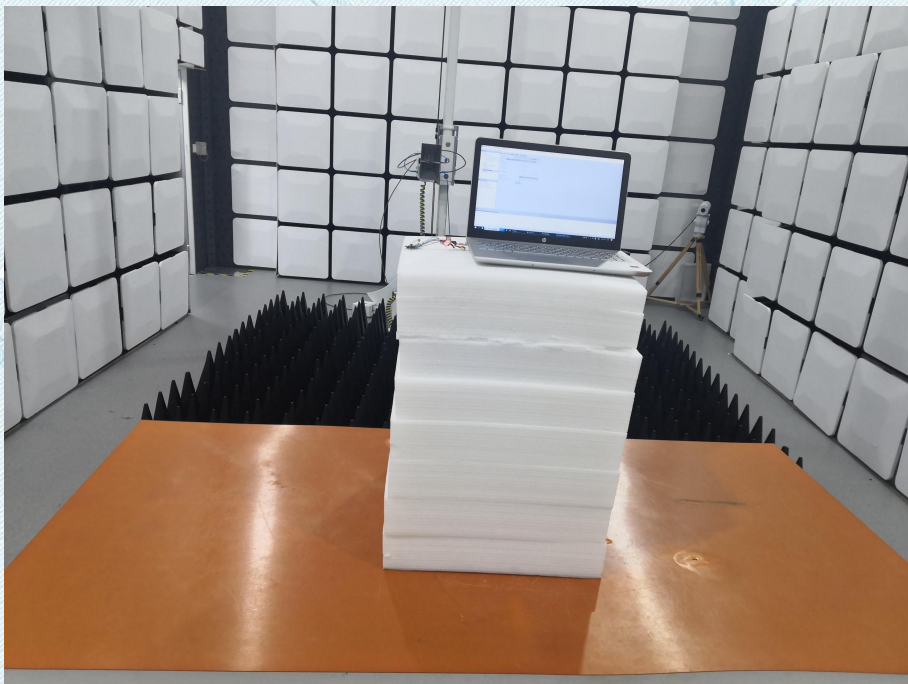
## 4.EUT TEST PHOTOS

Radiated measurements:

30MHz-1GHz

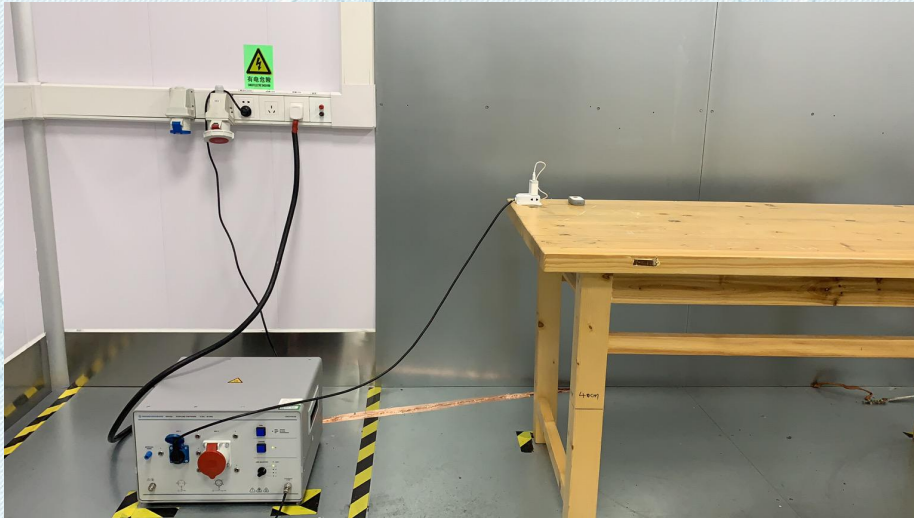


Above 1GHz





Conducted Emission



RF Conducted





## 5. PHOTOGRAPHS OF EUT CONSTRUCTIONAL

Please refer to the report KS2010S01735E01

\*\*\*\*\*THE END\*\*\*\*\*