

SKU: DPB72000PRO

尺寸: 100 x 140mm

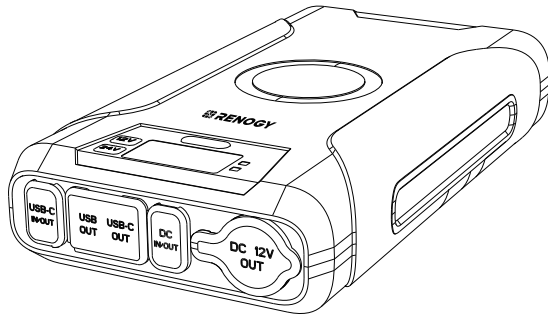
形式: 骑马订 共12页

材质: 128铜版纸



# 76800 MAH / 276.48 WH HIGH-CAPACITY POWER BANK

GPI4PRO  
SKU: DPB72000PRO

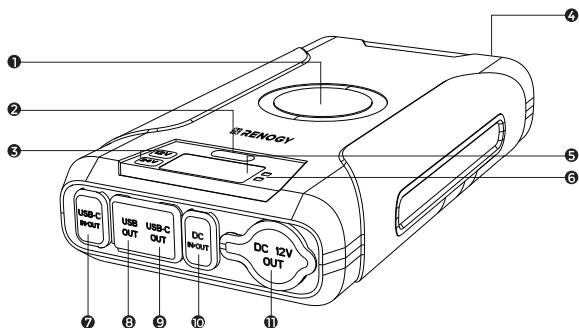


## CONTENTS

|  |    |
|--|----|
| Product Overview .....   | 01 |
| LED Screen Information .....   | 01 |
| Specifications .....   | 02 |
| Package Includes .....   | 03 |
| Use Instructions .....   | 04 |
| Multi-device Charging With Wireless, DC, Cigar Port, And<br>Built-in Protections ..... | 05 |
| Maintenance And Storage .....  | 06 |
| FAQ .....  | 07 |
| Warranty .....   | 08 |
| Customer Support .....   | 08 |

Need more help? Email us at [renogyservice@gmail.com](mailto:renogyservice@gmail.com)

## PRODUCT OVERVIEW



- ❶ 15W Wireless charging pad
- ❷ Power button  
(Double-click to turn on the light)
- ❸ DC Voltage buttons (12V / 24V)
- ❹ LED flashlight & emergency light
- ❺ LED Screen
- ❻ DC Voltage indicators (12V / 24V)
- ❼ USB-C1 IN/OUT (Input & output)
- ❽ USB-A OUT (Output only)
- ❾ USB-C2 OUT (Output only)
- ❿ DC IN/OUT (Input & output)
- ⓫ DC 12V OUT (Output only)

## LED SCREEN INFORMATION

\*The large number on the left displays the current battery capacity.

| State   | Display  |
|---|--|
| <b>Charging</b> via USB-C & DC Port   | 88% <sup>IN</sup>                                |
| <b>Discharging</b> via USB-A & USB-C Port   | 88% <sup>OUT</sup>                               |
| <b>Discharging</b> via DC Port (Press 12V / 24V button to set discharging voltages) | 88% <sup>OUT</sup> 12V    88% <sup>OUT</sup> 24V |
| <b>Wireless Charging</b>  | 88% <sup>⇄</sup> OUT                             |
| <b>Discharging</b> via Cigar Lighter Port   | The LED screen turns off                         |

## Applications

- **Mobile Devices Charging:** Fast charging for smartphones, tablets, laptops, digital cameras, and other mobile devices.
- **DC Device Power/Charging:** Powers devices with DC ports like CPAP machines (12V/24V).
- **Wireless Charging:** For wireless charging devices like phones. The wireless charging pad does not support Air Pods (with Wireless Charging Case), Air Pods Pro, Apple Watch, or other low-power devices.
- **Laptop Charging:** Charge your laptops with the **USB-C IN/OUT** port (USB-C1 port).
- **Cigarette Lighter Power:** Powers devices like car refrigerators.
- **Lighting:** Acts as an emergency light during power outages or outdoor use.

\*Please check the specifications of your devices before plugging them into this power bank.

## SPECIFICATIONS

|                        |  |
|------------------------|--|
| Capacity               | 76800 mAh / 276.48 Wh 3.6V   |
| Battery Type           | 18650 Lithium Battery  |
| Input                  | DC Port: DC12-24.5V/4A<br>USB-C1: DC5V/3A, 9V/3A, 12V/3A, 15V/3A, 20V/5A 100W Max.   |
| Output                 | USB-C1: DC5V/3A, 9V/3A, 12V/3A, 15V/3A, 20V/5A 100W Max.<br>USB-A: DC5V/3A, 9V/2A, 12V/1.5A<br>USB-C2: DC5V/3A, 9V/3A, 12V/2.5A<br>DC Port: DC12V/6.7A, 24V/3.8A<br>Cigarette lighter: 12V/10A<br>Wireless charging: 15W |
| Dimensions             | 9.0×4.9×1.7 inches   |
| Net Weight             | 3.3 lbs  |
| Charging Conditions    | 32-122°F, 0-50°C   |
| Discharging Conditions | 14-140°F, -10-60°C   |

**NOTE:**

- 1. DC and USB-C1 ports cannot charge devices simultaneously. If these two ports are plugged in, USB-C1 takes priority, and the display stays on.
- 2. Each port supports fast charging when used individually. When USB-C2 and USB-A are used simultaneously, output voltage is 5V. Other ports maintain fast charging.

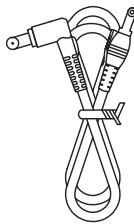
**PACKAGE INCLUDES**

- 1 \* Power bank
- 1 \* 40W AC adapter
- 1 \* User manual
- 1 \* Type-C to Type-C Cable (supports **100W max charging & discharging**)
- 3 \* **Cables for Connecting Different CPAPs**  
(See the pictures below for more details.)

Note: Please set the battery to the **appropriate voltage** before use by pressing the **12V/24V** buttons on the battery.



1. Only for **ResMed AirMini and S11**; set battery to **24V** first.



2. Only for **Philips Dreamstation 2**; set battery to **12V** first.



3. Only for **ResMed AirSense 10 / AirCurve 10**; set battery to **24V** first.

**USE INSTRUCTIONS**

**Button Functions**

**12V Button (DC voltage setting):** Single press to turn on the display. Press and hold for 3S to enter/exit 12V output mode; display shows 12V, and the 12V indicator stays on.

**24V Button (DC voltage setting):** Single press to turn on the display. Press and hold for 3S to enter/exit 24V output mode; display shows 24V, and the 24V indicator stays on.

To disable the DC port, long press the 12/24V button, turning off the current output and extinguishing the 12V/24V indicator light. The port will automatically deactivate after 30 minutes of inactivity with no device connected.

**Power Button:** Single press to turn on the display and wireless charging. When the wireless charging icon is off, press the Power button to activate the wireless charging function. Double press to turn the light on/off, then single press to cycle through 50% brightness, slow flash, and strobe.

**Power Bank Screen Off Logic**

|   |  |                         |
|---|--|-------------------------|
| Only when the screen is awake                     | 88% <sub>DC</sub>  | Screen off in 1 minute  |
| Wireless charging enabled, but no device charging | 88% <sup>W</sup> <sub>DC</sub> <sup>OUT</sup>                | Screen off in 2 minutes |
| Charging a device via any port                    | 88% <sup>W</sup> <sub>DC</sub> <sup>OUT</sup> <sub>24V</sub> | Screen off in 5 minutes |
| Charging the power bank                           | 88% <sup>IN</sup> <sub>DC</sub>                              | Screen always on        |

\* To save power, the screen will automatically turn off after up to 5 minutes, as shown in the table. Manual off is not possible.

\* When using the DC port for a CPAP at night, the screen and indicator light will turn off within 5 minutes.

**\*NOTE:**

- 1. DC and USB-C1 ports cannot charge devices simultaneously. If these two ports are plugged in, USB-C1 takes priority, and the display stays on.
- 2. Please check the specifications of your devices before plugging them into this power bank.

## MULTI-DEVICE CHARGING WITH WIRELESS, DC, CIGAR PORT, AND BUILT-IN PROTECTIONS

### Charging The Power Bank

- Charge the power bank via the USB-C IN/OUT port or DC IN/OUT port. (A 40W AC adapter is included) These two ports support two-way charging, allowing you to either charge the power bank or power your devices from either port. Other three ports support output only.
- DC input (via solar panels): 80W, approx. 3-4 hours  
USB-C input: 100W Max, approx. 3-4 hours  
Included 40W AC Adapter: approx. 6 hours
- This power bank can be recharged by 100W solar panels. Please purchase necessary connectors separately. The voltage range of the solar panel is **12-24.5V**.

### Charging Laptops

- Charge your laptop with the **USB-C IN/OUT port** (USB-C1 Port), instead of the USB-C OUT port (USB-C2 port). We recommend using the included **Type-C to Type-C Cable** to charge your laptop.

### DC IN/OUT Port

- Input - DC 12-24.5V/4A **80W Max**.  
Output - DC 12V/6.7A 24V/3.8A **90W Max**.
- When using this port to power up a CPAP, please select the output voltage (12V or 24V) by long pressing the corresponding buttons with 12V or 24V print. Press and hold the button for 3S to exit the setting.

### Cigar Lighter Port

- Use the cigarette lighter port to power devices under 120W, such as car refrigerators, tire inflators, outdoor camping lights, fans, etc.
- **WARNING:** please check the specifications of your devices before plugging them into this power bank.

### 15W Wireless Charging

1. Simply placing the phone on the wireless charging pad won't start charging; press the Power Button to turn on the power bank and activate wireless charging.






2. Place the compatible devices on the charging pad for wireless charging. Once the wireless charging starts, the charging icon (🔋) will light up.

**\*NOTE:** The wireless charging pad **does not support** AirPods (with Wireless Charging Case), AirPods Pro, Apple Watch, or other low-power devices.

### LED Flashlight & Emergency Light

1. Double click the power button to turn on / off the white LED light.
2. Tap on the power button again and the white LED light dim to 50% brightness.
3. Press the power button again, and the white LED light will enter emergency light mode, where the white light will start flashing. Press it one more time, and the emergency light will flash even faster.

### Built-in BMS Protections for This Lithium Battery

|   |                                    |
|---|------------------------------------|
|  | Overcurrent protection             |
|  | Overcharge protection              |
|  | Overdischarge protection           |
|  | Battery overheat protection        |
|  | Battery low-temperature protection |

## MAINTENANCE AND STORAGE

1. To prevent battery capacity of the power bank from decreasing, please unplug the AC plug after a full charge.
2. Store your power bank half-charged (power level: 50%) for long-term storage.
3. Let your power bank complete a **full charge** cycle **every four months** to prevent battery lifespan from shortening.
4. When storing or transporting the power bank, avoid vibrations, impacts, or compression. Keep it away from sunlight, rain, and flammable or corrosive materials.

5. Charging conditions:32-122°F/ 0-50°C.  
Discharging conditions: 14-140°F/ -10-60°C.
6. Disassembly and reassembly are not recommended, as they may cause short circuits, leakage, explosions, or other issues. The company is not liable for accidents resulting from such actions.
7. This power bank offers around 90% charging efficiency (10% loss due to heat during power transfer). **For best results, charge the power bank with the included charging cable.**

## FAQ

- Why does my power bank fail to recharge itself?

Check the connection between power bank, AC adapter and AC power supply. **The AC power supply needs to be 100-240V.** We kindly advise you to charge the power bank with the included charging cables for optimal charging.

- Why does the power bank fail to charge other devices?

Check the connection between power bank, cable and devices. Make sure the output of the power bank meets the requirements of your devices. (Please refer to the specifications of your devices and the power bank.)

- Can I recharge the power bank when it is charging other devices?

Yes, you can get the power bank recharged while charging other mobile devices.

**NOTE:** DC and USB-C1 ports cannot charge devices simultaneously. If these two ports are plugged in, USB-C1 takes priority, and the display stays on.

- Can I use solar panels to charge this power bank?

Of course, the power bank can be charged by 100W-120W solar panels and the charging speed can reach up to 80W. It takes around 3-4 hours to fully charge the power bank in direct sunlight.

- Why isn't my phone charging when I place it on the wireless charging pad?

Check if the wireless charging icon is on. If not, press the Power button to activate the feature.

## WARRANTY

RENOGY products are covered by a 12-month limited warranty from the original purchase date. If any problems occur, please contact us for assistance. Refer to the last or first page of User Manual for contact information.

We only provide after-sales services for products that are sold by RENOGY or retailers and distributors authorized by RENOGY. If you have purchased your unit from other channels, please contact your seller for more information about return and warranty.

## CUSTOMER SUPPORT

For any other questions or concerns, please send us an email at [renogyservice@gmail.com](mailto:renogyservice@gmail.com)

## FCC WARNING

This device complies with part 15 of the FCC Rules. Operation is subject to the following two conditions:

- (1) This device may not cause harmful interference, and
- (2) this device must accept any interference received, including interference that may cause undesired operation.

Any Changes or modifications not expressly approved by the party responsible for compliance could void the user's authority to operate the equipment.

Note: This equipment has been tested and found to comply with the limits for a Class B digital device, pursuant to part 15 of the FCC Rules. These limits are designed to provide reasonable protection against harmful interference in a residential installation. This equipment generates uses and can radiate radio frequency energy and, if not installed and used in accordance with the instructions, may cause harmful interference to radio communications. However, there is no guarantee that interference will not occur in a particular installation. If this equipment does cause harmful interference to radio or television reception, which can be determined by turning the equipment off and on, the user is encouraged to try to correct the interference by one or more of the following measures:

- Reorient or relocate the receiving antenna.
- Increase the separation between the equipment and receiver.
- Connect the equipment into an outlet on a circuit different from that to which the receiver is connected.
- Consult the dealer or an experienced radio/TV technician for help.

This equipment complies with FCC radiation exposure limits set forth for an uncontrolled environment. This equipment should be installed and operated with minimum distance 20cm between the radiator & your body.

Wireless charging function cannot be performed without connecting the adapter.



 **RENOGY.COM**

Renogy reserves the right to change the contents of this manual without prior notice.  
Renogy | renogy.com | renogy.com/contact-us

