

MPOW TECHNOLOGY CO., LIMITED
ADD: FLAT/RM 605 6/F FA YUEN COMMERCIAL BUILDING 75-77 FA YUEN STREET MONGKOK KL HONG KONG
TEL: 18566621145
FAX: +86-755-26008484
Mail: Derric_bai@patazon.net

Date:2021-5-17

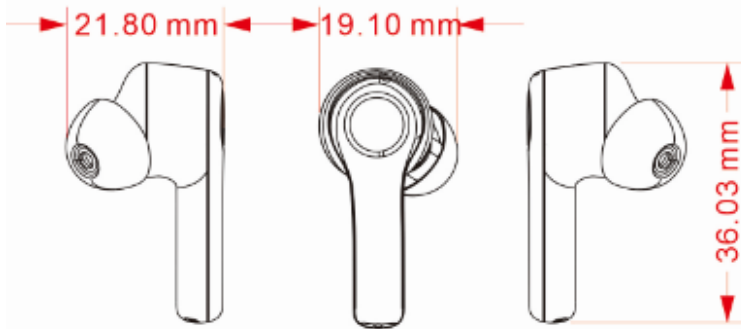
To
FEDERAL COMMUNICATIONS COMMISSION
Authorization and Evaluation Division
7435 Oakland Mills Road
Columbia,MD 21046

Dear Sir/Madam,

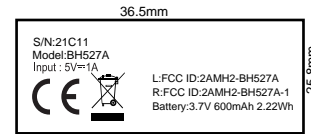
We, MPOW TECHNOLOGY CO., LIMITED, FCC ID: 2AMH2-BH527A, hereby submits justification for placing the FCC ID label to the charging box. According to the FCC Regulation and Guidance (KDB Publication 784748 D01 v09R01) allows for the FCC to be removed to charging box if the device is unquestionably too small for the FCC ID label to be printed.

The measurement of headset: Length (36.03mm)*Width (21.8mm)*High (19.1mm), label: Length 36.5(mm)*Width25.8(mm), charging box:57.34(mm)*46.44 (mm)*28.99(mm).Refer to the above quote, as the headset are too small for the FCC ID label to be printed, so the FCC ID label will be moved to the charging box. For details, please see below photos:

Headset



Label



L:FCC ID:2AMH2-BH527A
R:FCC ID:2AMH2-BH527A-1
Battery:3.7V 600mAh 2.22Wh



Charging box



Sincerely,

Derric Bai
Compliance Manager

Derric Bai