


Battery Recycling

 This symbol on the battery indicates that the battery must not be disposed of with unsorted common municipal waste. As the end-user, it is your responsibility to dispose of the end-of-life battery in your appliance in an environmentally sensitive manner as follows:

- (1) Returning it to the distributor/dealer from whom you purchased the product or
- (2) Depositing it at a designated collection point

The separate collection and recycling of end-of-life batteries at the time of disposal will help to conserve natural resources and to ensure that it is recycled in a manner that protects human health and the environment. For more information, please contact your local recycling office or the dealer from whom you originally purchased the product. Failure to properly dispose of end-of-life batteries may result in negative potential effects on the environment and human health due to the substances in the batteries and accumulators.

Removing the battery

The information below is only applicable when disposing of or transporting the robot, not for daily operation instructions.

1. Let the robot run to a low battery level where it cannot clean, without attaching to the Auto-empty Station.
2. Turn off the robot.
3. Remove the screws from the bottom cover of the robot.
4. Remove the battery.
5. Press the buckle to pull out the battery connector plug and remove the battery.

Note:









- Make sure the battery is exhausted and the robot is disconnected from the Auto-empty Station when removing the battery.
- Please remove the entire battery pack together, do not damage the battery pack casing to avoid short circuits or leakage of hazardous substances.
- If the battery leaks and accidentally comes into contact, rinse with plenty of water and seek medical attention immediately.

SwitchBot

SwitchBot

SAFETY INFORMATION

Floor Cleaning Robot S10

 WARNING: To reduce the risk of fire, electric shock, or injury, please read and follow the safety precautions.		
 This is the safety alert symbol. It is used to alert you to potential physical injury hazards. Obey all safety messages that follow this symbol to avoid possible injury or death.		
 Risk of electric shock	 Risk of fire	 Keep out of reach of children
 For indoor use only	 Read operator's manual	 Separate Collection Symbol
~ ~ ALTERNATING CURRENT symbol [symbol IEC 60417-5032 (2009-02)] ≡ - DIRECT CURRENT symbol [symbol IEC 60417-5031 (2009-02)] - PROTECTIVE EARTH (Protective Ground) symbol [symbol IEC 60417-5019 (2009-02)]		

WARNING

General



- This appliance can be used by children aged from 8 years and above and persons with reduced physical, sensory or mental capabilities or lack of experience and knowledge if they have been given supervision or instructions concerning use of the appliance in a safe way and understand the hazards involved. Children shall not play with the appliance. Cleaning and user maintenance shall not be undertaken by children without supervision.
- Your robot is designed to be plugged into a standard household AC power outlet only.
- Do not use the Auto-empty Station with a damaged cord or plug.
- Do not submerge your robot in water.
- Do not use outdoors or on wet surfaces.
- Use your robot indoors in a dry location only. Do not handle your robot or Auto-empty Station with wet hands due to risk of electric shock.
- Do not operate the robot in areas with exposed electrical outlets on the floor. Place cords of other appliances away from areas that need cleaning.
- Do not put any object into openings. Do not use with any opening blocked. Keep free of dust, lint, hair, and anything that may reduce air flow.
- Keep hair, loose clothing, fingers, and all parts of the body away from openings and moving parts.
- Use extra care when cleaning on stairs.
- Do not use to pick up flammable or combustible liquids, such as gasoline, or use in areas where they may be present.
- Do not use the robot to pick up anything that is burning or smoking, such as cigarettes, matches, or hot ashes.
- To avoid your robot falling downstairs, ensure that the Auto-empty Station is placed at least 4 feet (1.2 meters) away from stairs or suspended areas.
- If the room to be cleaned contains lit candles on furniture, or equipment, such as stoves, fans, or humidifiers, remove the equipment before operation. There is a risk of injury, accident or malfunction if the robot pushes or knocks over equipment.
- Clean the (edge detection or cliff) sensor lens and cover on the bottom of your robot for dust and dirt

- buildup as needed to ensure normal operation.
- Do not use without a dust bag and/or filters in place.
- This appliance is intended for household use only.
- Your robot is not a toy. Children and pets should be supervised when your robot is operating. Do not sit or stand on your robot or the Auto-empty Station.
- Keep the charging contacts dry and clean. Failure to maintain the cleanliness of the charging contacts could result in the loss of ability of your robot to charge its battery.
- Please test your robot on a small section of hard floor at home before you start cleaning to ensure that it is compatible and does not harm flooring. Using your robot on a hard floor that is not compatible may result in damage to your device or floor itself. Contact your hard floor manufacturer should you have questions with compatibility.
- Before running your robot on carpets or rugs, ensure that they are compatible with vacuums using bars or brushes. Using your robot on a carpet or rug that is not compatible may result in damage. Contact your carpet or rug manufacturer to find out more.
- Should the robot malfunction, endure damage, or be dropped into water, please discontinue use, and locate a SwitchBot authorized service center.

Auto-empty Station



- Do not use the Auto-empty Station with a damaged cord or plug. If the supply cord is damaged, it must be replaced by the manufacturer, its service agent or a similarly qualified person in order to avoid hazards.
- Always disconnect your robot from the Auto-empty Station before cleaning or maintaining it. Please unplug the Auto-empty Station from the outlet when not in use and before servicing.
- The plug must be removed from the socket outlet before cleaning or maintaining the appliance.
- Only use the provided power supply for charging the robot. The provided power supply delivers a safer extra-low voltage current corresponding to the input marking on the robot which is required to maintain safe operation.
- Only use the Auto-empty Station to charge your robot. Other types of charging may affect your robot's battery or cause injury. Please contact SwitchBot Customer Support should you wish to replace batteries or for other maintenance.
- Do not use the Auto-empty Station to charge non-rechargeable batteries.
- Turn off all controls before unplugging.
- Do not pull or carry by cord, use cord as a handle, close a door on cord, or pull cord around sharp edges or corners. Do not run appliances over cord. Keep cord away from heated surfaces.
- If you live in an area prone to electrical storms, it is recommended that you use additional surge protection. Your Auto-empty Station may be protected with a surge protector in the event of severe electrical storms.

Water Station



- The Water Station is safe to use when strictly following its User Manual. Damage or property loss caused by improper use is not covered under the warranty.
- This product can only be used with SwitchBot Floor Cleaning Robot S10.

Battery and Charging



- This appliance contains 1 rechargeable lithium-ion battery with a rated capacity of 4000 mAh.
- Do not open, crush, heat the battery above 176°F: 80°C, or incinerate. Follow our user manual for proper use, maintenance, handling, and disposal.
- Do not use the robot when the surrounding temperature is higher than 104°F: 40°C, or lower than 39°F: 4°C, or there is any liquid or sticky substance on the floor.
- Follow all charging instructions and do not charge the battery pack or appliance outside of the temperature range specified in the instructions. Charging improperly or at temperatures outside of the specified range may damage the battery and increase the risk of fire.
- Do not allow metal objects to contact battery terminals or immerse the battery in liquid, or the battery may short-circuit. Shorting the battery terminals together may cause burns or a fire. Do not subject batteries to mechanical shock.
- Check the battery pack for any sign of damage or leakage regularly. Do not charge damaged or leaking battery packs. Damaged or modified batteries may exhibit unpredictable behavior resulting in fire, explosion or risk of injury.
- Do not allow the battery liquid to come in contact with skin or eyes. If contact has been made, wash the affected area with plenty of water and seek medical attention. Seal the damaged battery in a plastic bag and recycle or dispose of safely according to local environmental regulations, or return it to your local authorized SwitchBot Service Center for disposal.
- Use the appliance only with specifically designated battery packs. Use of any other battery packs may create a risk of injury and fire.
- To prevent unintentional starting, ensure the switch is in the off-position before connecting the battery pack before picking up or carrying the appliance. Carrying the appliance with your finger on the switch may cause accidents.
- Do not modify or attempt to repair the appliance or the battery pack (as applicable) except as indicated in the instructions for use and care.
- Have servicing performed by a qualified repair person using only identical replacement parts. This will ensure that the safety of the product is maintained.
- Battery usage by children should be supervised. Seek medical advice immediately if a cell or a battery has been swallowed.
- Lithium-ion batteries and products that contain lithium-ion batteries are subject to stringent transportation regulations. If you need to ship this product (with the battery included) for service, travel or any other reason, you must follow the Battery Recycling part of this user manual or contact the transportation agent for relevant instructions.
- If placing the robot into storage, charge it fully and turn it off, then place it in a cool dry place. Recharge it at least every three months to prevent the battery from over-discharging.

Cleaning Solution



- Be sure to read and follow the directions labeled on the product package carefully to safely use and store the cleaning solution.
- Only use SwitchBot authorized cleaning solution.
- For cleaning solution warnings, please refer to the solution bottle or packaging.

SwitchBot

REGULATORY INFORMATION

Floor Cleaning Robot S10

CE Warning

To comply with RF exposure requirements, a minimum separation distance of 20 cm must be maintained between the user's body and the device, including the antenna. Use only the supplied or an approved antenna. This device in compliance with the essential requirements and other relevant provisions of directive 2014/53/EU. All essential radio test suites have been carried out.

CE DOC

Hereby, Woan Technology (Shenzhen) Co., Ltd. declares that the radio equipment type W3211800 is in compliance with Directive 2014/53/EU. The full text of the EU declaration of conformity is available at the following internet address: support.switch-bot.com

This product can be used in EU member states and UK.

Manufacturer: Woan Technology (Shenzhen) Co., Ltd.

Address: Room 1101, Qiancheng Commercial Center, No. 5 Haicheng Road, Mabu Community, Xixiang Subdistrict, Bao'an District, Shenzhen, Guangdong, P.R.China, 518100

Operation frequency (Max power)

Wi-Fi: 2412 MHz to 2472 MHz (3.5 dBm)

BLE: 2402 MHz to 2480 MHz (3.5 dBm)

Operation temperature: 4 °C to 40 °C (39 °F to 104 °F)

FCC Warning

This device complies with Part 15 of the FCC Rules. Operation is subject to the following two conditions:

(1) This device may not cause harmful interference.

(2) This device must accept any interference received, including interference that may cause undesired operation.

NOTE: This equipment has been tested and found to comply with the limits for a Class B digital device, pursuant to part 15 of the FCC Rules. These limits are designed to provide reasonable protection against harmful interference in a residential installation.

This equipment generates uses and can radiate radio frequency energy and, if not installed and used in accordance with the instructions, may cause harmful interference to radio communications. However, there is no guarantee that interference will not occur in a particular installation. If this equipment does cause harmful interference to radio or television reception, which can be determined by turning the equipment off and on, the user is encouraged to try to

correct the interference by one or more of the following measures:

- Reorient or relocate the receiving antenna.
- Increase the separation between the equipment and receiver.
- Connect the equipment into an outlet on a circuit different from that to which the receiver is connected.
- Consult the dealer or an experienced radio/TV technician for help.

NOTE: The manufacturer is not responsible for any radio or TV interference caused by unauthorized modifications to this equipment. Such modifications could void the user's authority to operate the equipment.

FCC Radiation Exposure Statement

This equipment complies with FCC radiation exposure limits set forth for an uncontrolled environment. This equipment should be installed and operated with minimum distance 20 cm between the radiator & your body.

IC Warning

This device contains license-exempt transmitter(s)/receiver(s) that comply with Innovation, Science and Economic Development Canada's license-exempt RSS(s). Operation is subject to the following two conditions:

(1) This device may not cause interference.

(2) This device must accept any interference, including interference that may cause undesired operation of the device.

L'émetteur/récepteur exempt de licence contenu dans le présent appareil est conforme aux CNR d'Innovation, Sciences et Développement économique Canada applicables aux appareils radio exempts de licence. L'exploitation est autorisée aux deux conditions suivantes :

(1) L'appareil ne doit pas produire de brouillage;

(2) L'appareil doit accepter tout brouillage radioélectrique subi, même si le brouillage est susceptible d'en compromettre le fonctionnement.

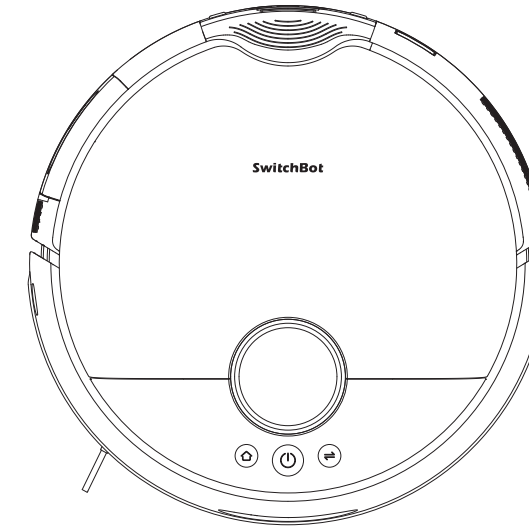
IC Radiation Exposure Statement

This equipment complies with the IC radiation exposure limits established for uncontrolled environment. This equipment must be installed and operate at least 20 cm from a radiator or your body.

Cet équipement est conforme aux limites d'exposition aux rayonnements de la IC établies pour un environnement non contrôlé. Cet équipement doit être installé et fonctionner à au moins 20cm de distance d'un radiateur ou de votre corps.

SwitchBot Floor Cleaning Robot S10

User Manual



For more product information, visit our website www.switch-bot.com

V1.0-2311

Please read this user manual carefully before using your device.

Thank you for choosing SwitchBot!

This manual will guide you through a comprehensive understanding and quick installation of this product, and provide important information on product usage and maintenance to help you achieve the best product experience.

If you have any questions during use, please call the service hotline or contact the official email. SwitchBot technical support experts will answer your questions.

Setup and Troubleshooting: support.switch-bot.com

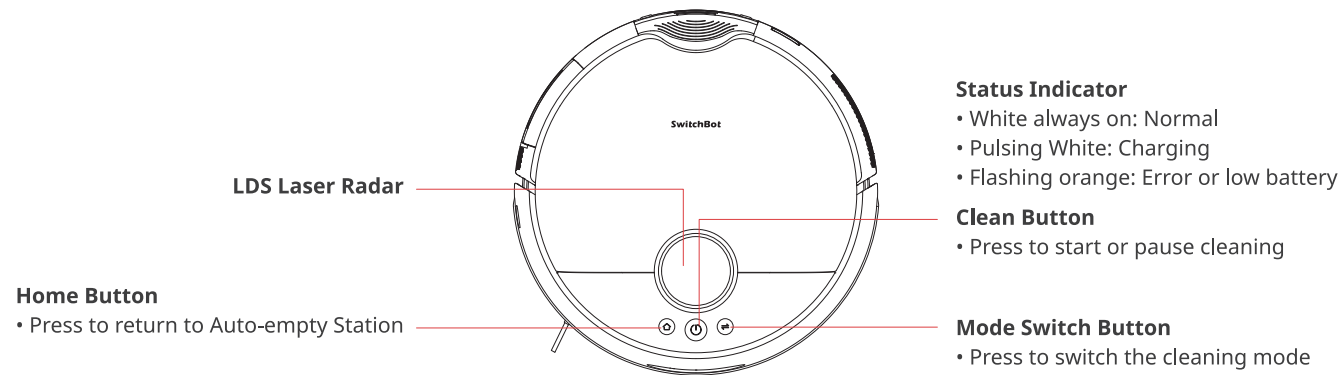
Customer Support: support@switch-bot.com

CONTENTS

- 1. Product Overview ----- 01
- 2. Preparing for Use ----- 06
- 3. Instructions for Use ----- 10
- 4. Care and Maintenance ----- 13
- 5. Daily Maintenance (Robot) ----- 14
- 6. Daily Maintenance (Auto-empty Station) ----- 21
- 7. Daily Maintenance (Water Station) ----- 24
- 8. Common Issues ----- 25
- 9. Specifications ----- 28

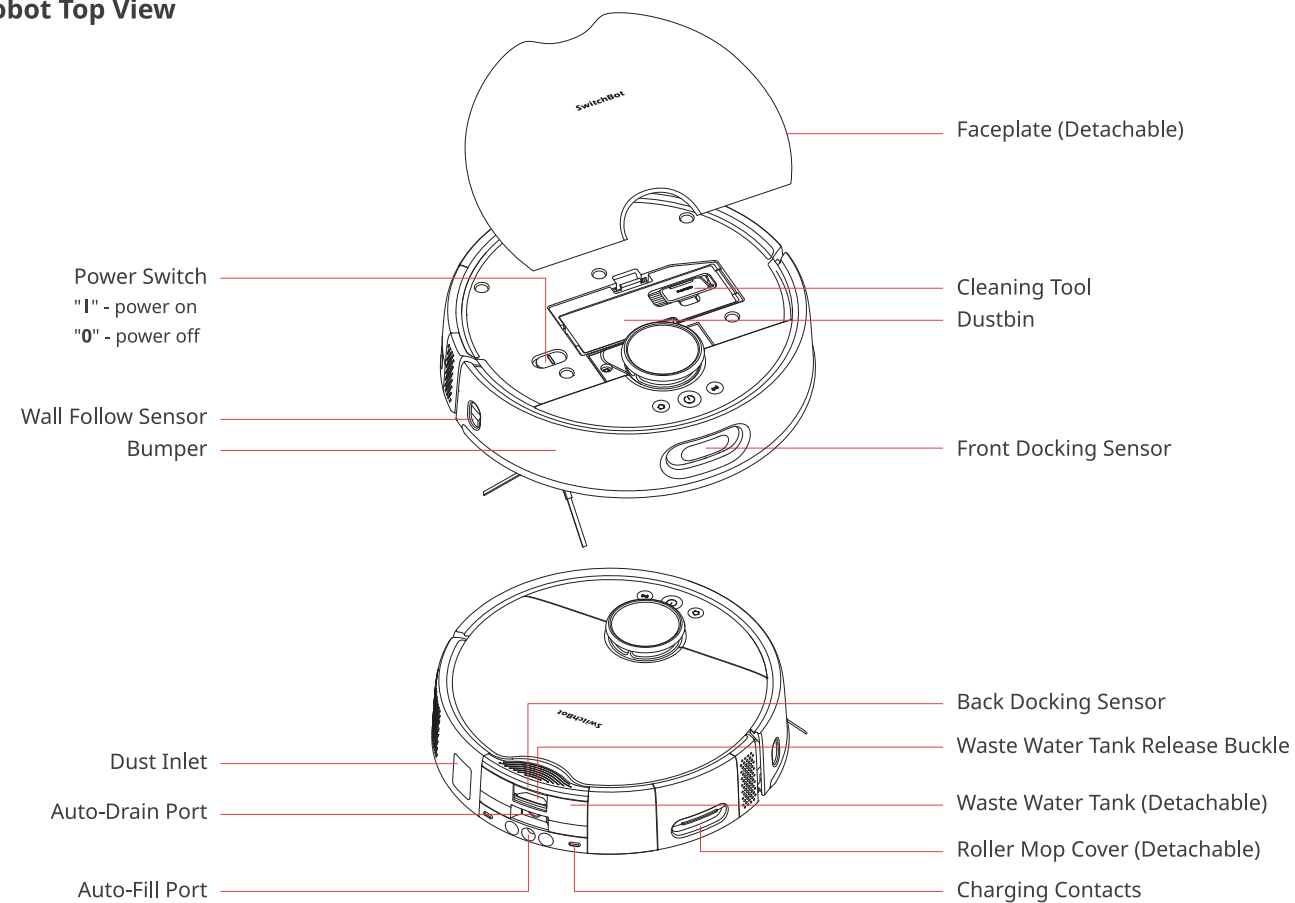
Product Overview

Robot Components

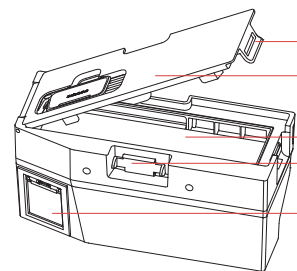
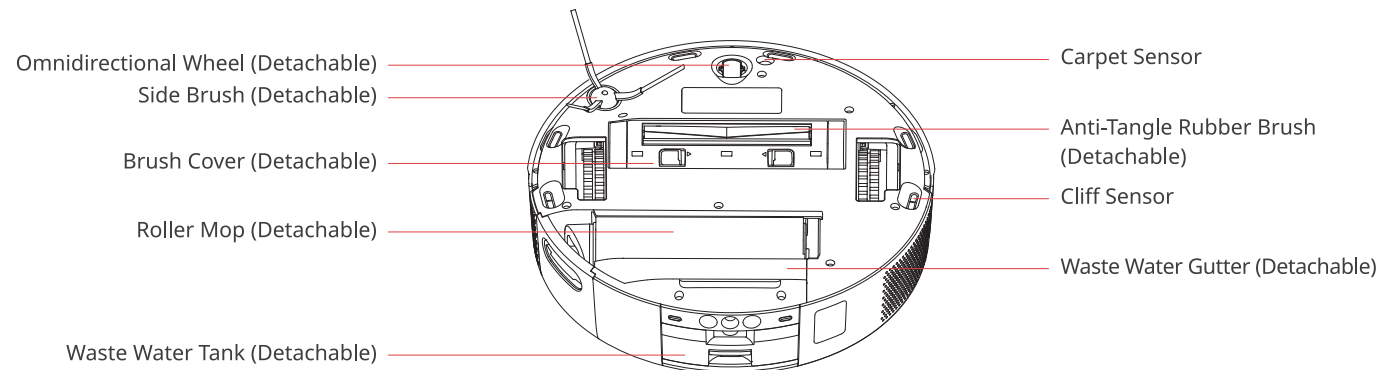


Note: Press any button to stop the robot during cleaning or docking.

Robot Top View

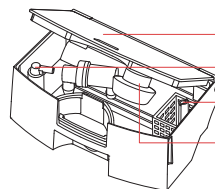


Robot Bottom View



Dustbin Components

- Filter Cover Buckle
- Filter Cover
- Dustbin Filter
- Dustbin Release Buckle
- Dust Outlet

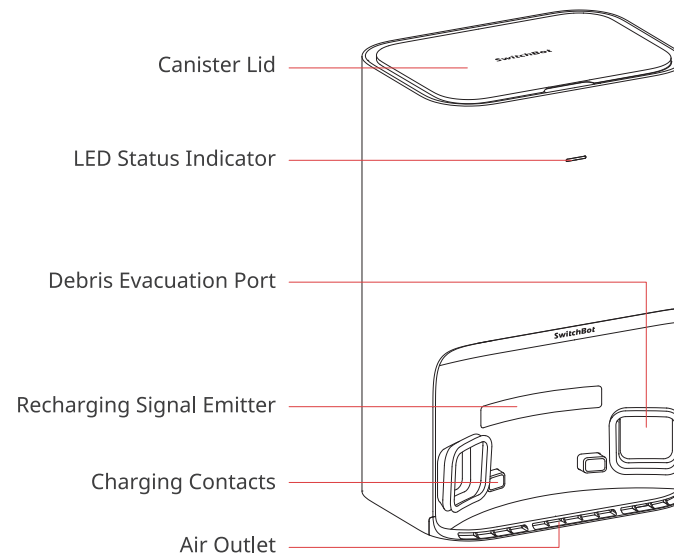


Waste Water Tank Components

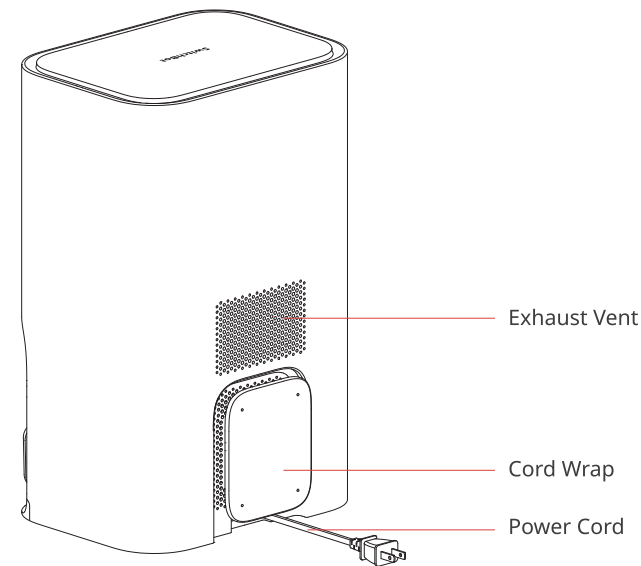
- Waste Water Tank Lid
- Air Extraction Port
- Waste Water Inlet
- Full Water Detection Float

Auto-empty Station

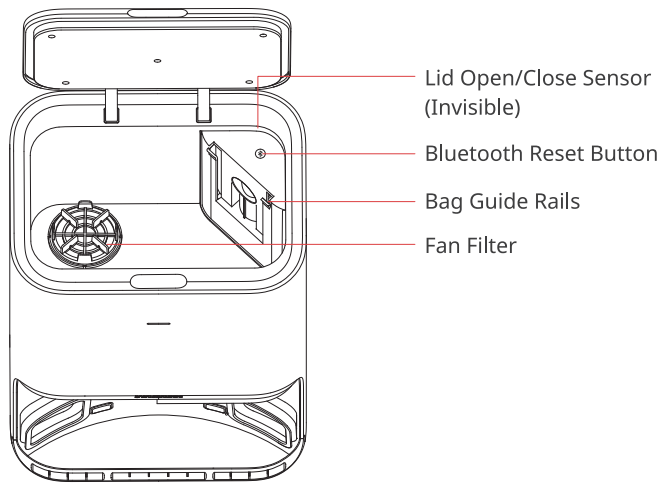
Front View



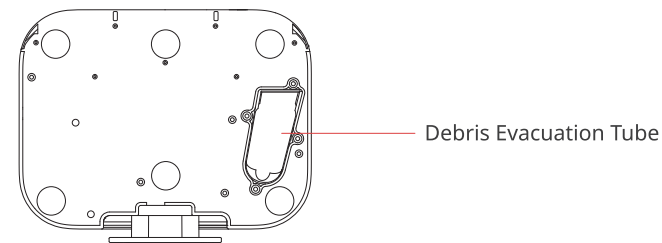
Back View



Top View

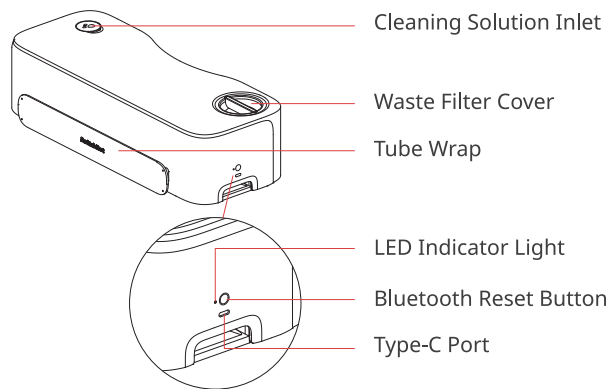
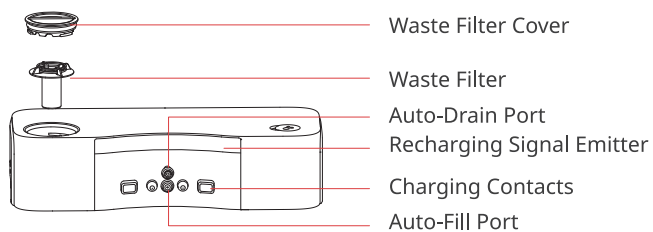


Bottom View



Water Station

Base



Preparing for Use

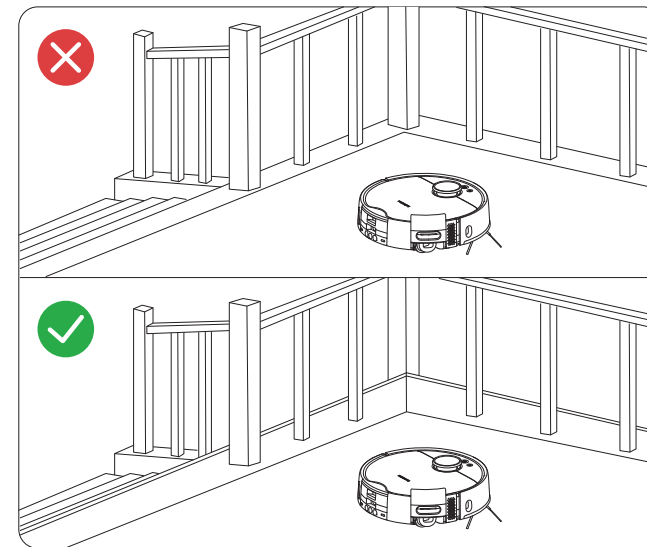
Tidying Up Your Home Environment

Before starting the robot, please check the floor and clean up any scattered items such as wires, socks, slippers, children's toys, etc. to improve the efficiency of the robot.

Clear the floor of hard or sharp objects (e.g., nails, glass), and move away items that are fragile, valuable, or potentially dangerous to avoid being caught, tangled, or knocked over by the robot, causing personal or property damage.



Before cleaning, please use a physical barrier to avoid areas that are hanging in the air or low, ensuring the safety and smooth operation of your robot.



Open the doors of the rooms to be cleaned, arrange the furniture neatly, and try to clear the largest cleaning space.

Please avoid standing in front of your robot, doorways, or narrow passages in case your robot cannot detect the area to be cleaned.