

---

# Fire special thermal camera quick operation manual



---

Thank you for purchasing this product, please read this manual before use, after reading, please carefully store for future reference. We hope this product will meet your expectations.

**- IMPORTANT -**

This manual is a general manual for a series of products, which means that the specific model of the product you receive may be different from the manual picture, please refer to the physical receipt.

This user manual is organized for the convenience of users to use and understand the company's products, we will do our best to ensure the accuracy of the content of this manual, but still cannot guarantee the completeness of the content of this manual, because our products have been continuously updated and upgraded, the company reserves the right to modify at any time without prior notice.

---

**- FCC WARNING -**

Any Changes or modifications not expressly approved by the party responsible for compliance could void the user's authority to operate the equipment.

This equipment has been tested and found to comply with the limits for a Class B digital device, pursuant to part 15 of the FCC Rules. These limits are designed to provide reasonable protection against harmful interference in a residential installation.

This equipment generates uses and can radiate radiofrequency energy and, if not installed and used in accordance with the instructions, may cause harmful interference to radio communications. However, there is no

guarantee that interference will not occur in a particular installation. If this equipment does cause harmful interference to radio or television reception, which can be determined by turning the equipment off and on, the user is encouraged to try to correct the interference by one or more of the following mea

---

sures:

- Reorient or relocate the receiving antenna.
- Increase the separation between the equipment and receiver.
- Connect the equipment into an outlet on a circuit different from that to which the receiver is connected.
- Consult the dealer or an experienced radio/TV technician for help.

This device complies with part 15 of the FCC Rules. Operation is subject to the following two conditions: (1) This device may not cause harmful interference, and (2) this device must accept any interference received, including interference that may cause undesired operation.

The device has been evaluated to meet general RF Exposure requirement. The device can be used in Portable Exposure condition without restriction.

---

## - CONSIDERATIONS -

### **Danger**

1) Charge the battery as instructed in the Guide and follow the charge steps and precautions. Incorrect charging can cause heating or damage of the battery or even cause personal injury;

2) Never attempt to open or disassemble the battery; if the battery

leaks and the liquid enters eyes, immediately flush the eyes

with water and then take necessary medical care.

### **WARNING**

1) When using the equipment, please try to keep it stable and avoid violent shaking.

2) Do not use or store the instrument in an environment beyond the permitted operating temperature or storage temperature of the equipment.

- 
- 3) Do not direct the equipment at high intensity thermal radiation sources, such as the sun, lasers, spot welders, etc.
  - 4) Do not plug the hole in the device.
  - 5) Do not knock, throw or vibrate instruments and accessories to avoid damage.
  - 6) Do not disassemble the machine by yourself, which may cause damage to the equipment and loss of warranty rights.
  - 7) Do not use dissolved or similar liquids on equipment or cables, which may cause damage to the equipment.
  - 8) Please do not use the equipment in an environment that exceeds the operating temperature of the equipment, which may cause damage to the equipment.
  - 9) Please follow the following measures when wiping the equipment:

Non-optical surface: When necessary, you can use a clean and soft cloth to wipe the non-optical surface of the thermal camera.

---

Optical surface: Please avoid staining the optical surface of the lens when using the thermal camera, especially avoid touching the lens with your hands, because the sweat on your hands will leave traces on the lens glass and may corrode the optical coating layer on the glass surface. When the surface of the optical lens is contaminated, use professional lens paper to carefully wipe.

- 10) Do not place the battery in a high temperature environment or near high temperature objects.
- 11) Do not short-circuit the positive and negative terminals of the battery.
- 12) Do not place the battery in a humid environment or water.

### **CAUTION**

- 1) Do not expose the equipment to dust or damp environment. When used in an environment with water, water should be avoided on the instrument. Cover the

---

lens when not in use.

- 2) When the equipment is not in use, please place the instrument and all accessories in a special packaging box.

## **- Storage and Transportation -**

### **Storage:**

A packaged product shall be stored in a well-ventilated and clean environment with a temperature range of  $-40^{\circ}$  C to  $85^{\circ}$  C, a relative humidity not exceeding 95%, and free of condensate and corrosive gas.

### **Transportation:**

During transportation and circulation, the product shall be protected from rain and water and placed flatwise. It shall be protected from violent vibration and impact. During handling, it shall be handled with care and cannot be tossed.



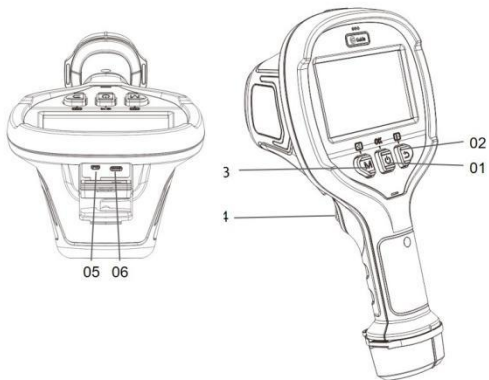
---

## **- Product Introduction -**

This product is specially designed for fire protection infrared thermal imager, mainly used for fire fighting and rescue, fire inspection, rescue and disaster relief operations. It can guide firefighters to rescue personnel under harsh smoke and high temperature fire site conditions, find the fire source, prevent firefighters from straying into high temperature dangerous areas, and ensure the property and life safety of the masses. This product is usually handheld, both detection type and rescue type. Use battery power, with infrared image display, temperature indication, temperature analysis, picture or video playback and other functions.

---

## - Introduction to Product Parts -



1 The power /OK button

3 Menu/Left button

5 HDMI

2 Clear/right-click

4 Trigger key

6 Type-C

---

## - 快速操作说明 -


### 一、Operation steps

1. Place the battery in the battery compartment.
2. Hold down the power switch for 2 second.
3. Set the language (for first use).
4. Enter the real-time preview and point the thermal camera at the target.
5. Select the photo or video mode and press the photo button to save the image or recorded video.
6. Press the button to perform other operations.

## 二、Interface description



1. Sensitivity mode: Low sensitivity temperature measurement range ( $0^{\circ}\text{C}\sim 650^{\circ}\text{C}$ ,  $500^{\circ}\text{C}\sim 1200^{\circ}\text{C}$ ,  $1000\sim 2000^{\circ}\text{C}$ ), High sensitivity temperature range ( $-20^{\circ}\text{C}\sim 150^{\circ}\text{C}$ );
2. Data transmission status: status display when connecting PC and HDMI for data transmission;
3. Electronic magnification: In the menu bar, select **【+】** and press the OK key to display the current magnification status, including: 2X, 4X, 8X;

- 
4. Data recording status: Displays the status of the photo or video recording mode;
  5. PLUS image mode: In non-basic fire mode, the "plus" icon is displayed on the left side of the image mode;
  6. Image mode: Display different image mode states, mainly including 6: basic fire, black and white, fire, search and rescue, heat detection, standard;
  7. Internal electronic overheat flashing indicator: visual warning indicates that overheat and stop working, red flashing 1min after shutdown;
  8. Temperature alarm: When the high temperature and low temperature alarm is triggered, the icon flashes until the alarm is over;
  9. Battery status: divided into green, yellow, red display, low power flashing;
  10. Digital temperature indicator: Open the center point in the analysis menu  and display the temperature of the center point;
  11. Temperature bar: Dynamic vertical propulsion according

- 
- to the temperature change of the current center point;
12. Color strip: changes with the temperature measurement area, and has a temperature scale;

### 三、Considerations

1. Avoid direct sunlight on the object to be observed.。
2. Do not directly expose the device to high-intensity thermal radiation sources, such as the sun, lasers and spot welders.。
3. During the observation, make sure the target is clear; otherwise, you may get wrong measurement results.。
4. Proper analysis of IR images requires technical knowledge of the application.

---

## Guide for Common Faults and Troubleshooting

<b>Phenomenon</b>	<b>Causes</b>	<b>Measures</b>
Unable to power on the device	Insufficient of the battery	Use the battery after recharging
	Bad contact of the battery	Remove the battery, put it back in the battery compartment and install it in place
	The external power supply is not plugged in properly	Unplug the power plug, plug it back in and push it into place
The displayed battery power	Battery dead	Replace a fully charged battery

differs greatly from the actual usage	Battery life is up	Replace the battery
Image is not clear	The lens is dehydrated or contaminated	Use professional equipment to clean the lens
Inaccurate temperature measurement	Parameters related to temperature measurement are incorrectly set	Change parameter Settings, or restore default parameter values
	Non-uniformity correction was not performed for a long time	In the expert menu, press the shutter once in the temperature measurement and



		debugging interface, hear the shutter sound, and perform a non-uniformity correction
	Power on immediately measure the temperature	In order to ensure the accuracy of temperature measurement, we recommend that you turn on the thermal camera and wait 5-10 minutes to start the temperature measurement
	No calibration for	For accurate

	a long time	temperature measurements, we recommend that you send the camera back for calibration once a year
File cannot be stored	File cannot be stored	Delete pictures and video files from your gallery
	The internal memory card is abnormal. Procedure	Shut down and restart the storage card. Format the storage card on the device or replace it with a new storage card

