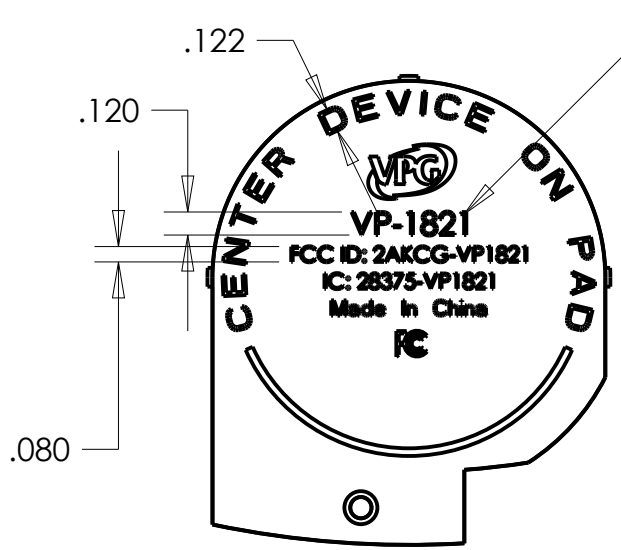
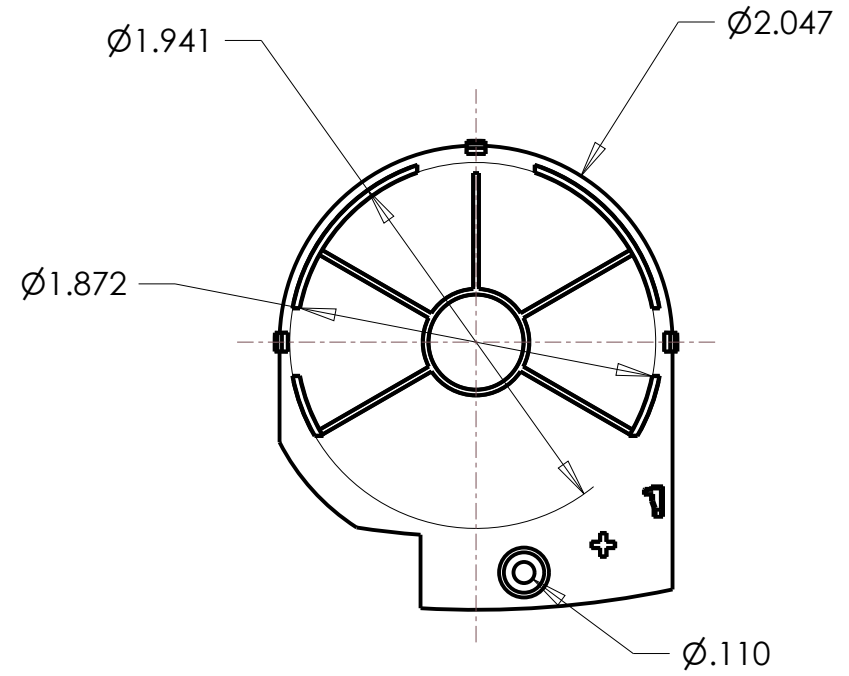


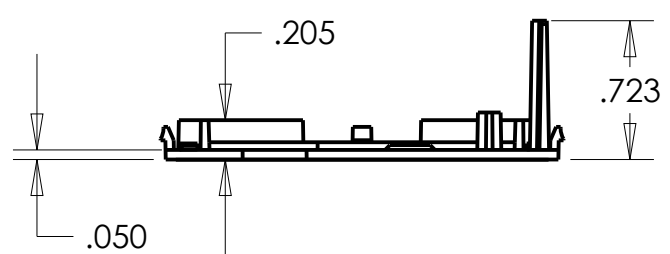
REV	ECN	REVISIONS	DATE	PREPARED BY	CHECKED BY
A	-	RELEASED (DFM UPDATES 11 JUL2022)	10-JUN-2022	JJ	
B	0738	REINFORCED RIB, ADDED PRINT	13-SEP-2022	JJ	DS
C	0770	UPDATED PRINT COLOR	3-APR-2023	JJ	SJ



SILK SCREEN OR PAD PRINT
TEXT COLOR: PANTONE 428U

- TEXT
1. CENTER DEVICE ON PAD
 2. VPG LOGO
 3. FCC ID: 2AKCG-VP1821
 4. IC: 28375-VP1821
 5. MADE IN CHINA
 6. ADD FCC LOGO


1. MATERIAL: ABS (CHIMEI PA-707)
2. COLOR: SEE PART NUMBER COLOR TABLE
3. TEXTURE: MT-1055-02 ON EXTERNAL SURFACES
4. ALL EXTERIOR SURFACES TO BE FREE OF EJECTOR PIN MARKS, SINKS, VOIDS, WITNESS LINES, SPLAY AND OTHER MOLDING DEFECTS.
5. FLASH AND EJECTOR PIN MARKS ARE NOT TO EXCEED 0.005"
6. TOOL CONSTRUCTION AND MOLDING ARE TO MEET SPI AND PLASTIC INDUSTRY STANDARDS FOR QUALITY.
7. THIS DRAWING IS OF A CREO PARAMETRIC 3D SOLID CAD MODEL. THE CREO PART FILE OR EXCHANGE FILE SUCH AS IGES IS TO BE USED FOR TOOL CONSTRUCTION.
8. ALL INTERNAL CORNERS TO BE 0.01" MAX
9. ALL EXTERNAL CORNERS TO BE 0.01" MAX
10. REGRIND 0%
11. DO NOT USE MOLD RELEASE.
12. NO VISIBLE KNIT LINES OR FLOW MARKS ON FACE OF PRODUCT



PART NUMBER COLOR TABLE	
COMPONENT P/N	COLOR
8069-1032-00	BLACK, PANTONE 3C
8069-1032-01	WHITE, RAL CLASSIC 9003P TINUVIN-329 UV PROTECTANT



AREAS HIGHLIGHTED IN RED ARE TO BE TEXTURED

INTERPRET PER ANSI Y14.5		 VANGUARD PROTEX GLOBAL. 720 Brooker Creek Blvd, Suite 223 Oldsmar, FL 34677 (813) 855-9639
DIMENSIONAL UNITS & TOLERANCES UNLESS OTHERWISE SPECIFIED	DECIMAL ANGULAR	
.X= ±.1	.X= ±.5	NAME: L2QD Qi Coil Bottom HSG
.XX= ±.02	.XX= ±.25	SHEET: 1 OF 1
.XXX= ±.005	.XXX= ±.125	SCALE: 1.000
STATE: Released	PRO/ENGINEER	UNITS: INCH
DO NOT SCALE DRAWING		SIZE: B
		DRAWING NUMBER: 8069-1032-XX
		REV: C

COPYRIGHT © 2022 VANGUARD PROTEX GLOBAL. ALL RIGHTS RESERVED.

DRAWING IS OF A CREO PARAMETRIC 3D CAD MODEL. CREO OR EXCHANGE CAD DATA SUCH AS IGES & STEP CONTAIN DIMENSIONAL DATA WHICH IS TO BE USED FOR PART AND TOOL FABRICATION. DRAWING DIMENSIONS AND NOTES SUPERSEDE THE CAD DATA.

DIMENSIONS THAT ARE BALLOONED/CIRCLED ARE DESIGNATED AS "CRITICAL" TO FUNCTION AND ARE TO BE INSPECTED TO ASSURE COMPLIANCE TO THE SPECIFICATION.

THE CONTENTS OF THIS DOCUMENT ARE "INTELLECTUAL PROPERTY OF VANGUARD PROTEX GLOBAL" WHICH ARE PROPRIETARY AND CONFIDENTIAL AND MAY NOT BE DIVULGED IN WHOLE OR PART WITHOUT AUTHORIZED PERMISSION OF VANGUARD PROTEX GLOBAL.