

Company: ZHEJIANG EBOY TECHNOLOGY CO., LTD.  
Add: No.568 Huabao Street, Deqing County, Huzhou City, China, 313200  
Tel: 0086-571-89000977  
Fax: 0086-571-89009898  
E-mail: [yangxf@eboylighting.com](mailto:yangxf@eboylighting.com)

Date:2021-06-11

FEDERAL COMMUNICATIONS COMMISSIONS  
Authorization and Evaluation Division  
7435 Oakland Mills Road  
Columbia, MD 21046

Subject: Description of Class II Permissive Change

Dear Sir/Madam,

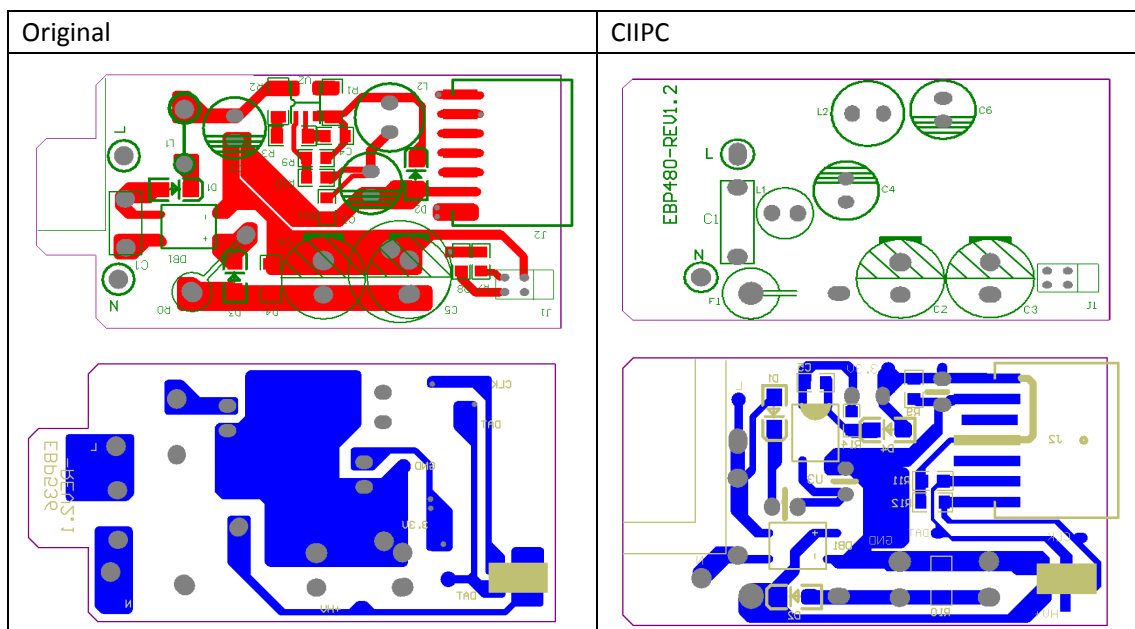
We,ZHEJIANG EBOY TECHNOLOGY CO., LTD. hereby authorize Bay Area Compliance laboratory Corp.(Kunshan) to act as a laboratory for testing and test report generation for the following project(s):

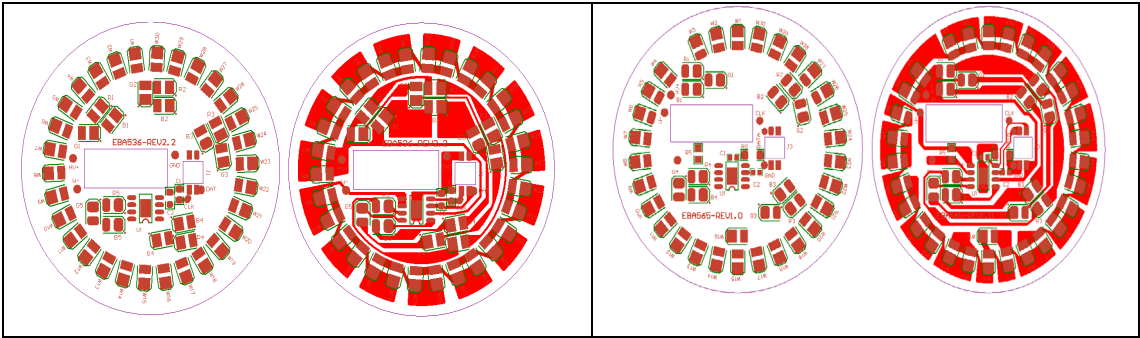
FCC ID: 2AJ3WEBEBAW419

Tested Model: EBE-BAW419-B

Series Model: EBE-BAW419-C,EBE-BAW422-B,EBE-BAW422-C

Original Grant Date: 2020-12-22





cqekgipywslyavsr	jxfp7dobvcneylao
------------------	------------------

<p>Detailed information:</p> <ol style="list-style-type: none"> <li>1. PCB Change: Double sided panel changed to single panel</li> <li>2. Led Change: The number of RGB light beads has changed from 15 to 14</li> <li>3. PID change</li> </ol>
---

The above differences will affect part of tests, “AC Line Conducted Emissions” and “Radiated Emissions” were presented in this report, and other data were referred to the original report.

We affirm that between BAEL(Kunshan) and ZHEJIANG EBOY TECHNOLOGY CO., LTD. any difference in understanding, including test plan, measurement methods, applicable standards and relevant procedures and processes have been resolved prior to commencement of testing activities

This authorization is valid until further written notice from the applicant.

Sincerely Yours,

Signature:  
 Contact Person : Yang Xiao Fen  
 Title : R&D MANAGER