

Alcatel-Lucent Enterprise OmniAccess Stellar AP1521 Installation Guide

060928-00 Rev. A

0609XXX-00 Rev. A



Summary of Installation Steps

- WLAN Planning. Usually, a comprehensive site survey is required before installation, such as installation location, brackets, cables, power source, etc.
- Unpack the AP box and check all contents
- Install the AP bracket on ceiling or wall
- Installing the AP
- Connecting required cables
- Power connection
- Verifying post-installation connectivity
- AP provisioning

Access points are radio transmission devices and are subject to governmental regulation. Network administrators who are responsible for the configuration and operation of access points must comply with local broadcast regulations. Specifically, an access point must use channel assignments appropriate to the location where the access point will be deployed.

Package Contents

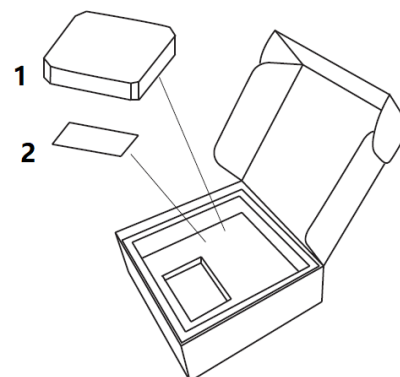
Item	Name	Qty	Unit
1	Access Point	1	Pcs
2	Quick Start Guide	1	Pcs
	Installation Guide	1	Pcs
	Regulatory Compliance and Safety Information	1	Pcs
	User Guide Info Card	1	Pcs

◆ Optional Accessories (To be ordered separately)

Warning: OAW-AP-MNT-B, OAW-AP-MNT-C, OAW-AP-MNT-W are **NOT** compatible with OAW-AP1521.

Item	Name	Description
1	AP-MNT-IN-BE	Mounting kit, (Type BE1 9/16" and BE2 15/16") for T shaped spare ceiling rail mounting.
2	AP-MNT-IN-CE	Mounting kit, Type CE1 (Open Silhouette) and CE2 (Flanged Interlude), for other shaped ceiling rail mounting.
3	AP-MNT-IN-WE	Indoor mounting kit, Type WE wall, ceiling and electrical box mounting. Optional for customer ordering.

Figure 1: Product Packing

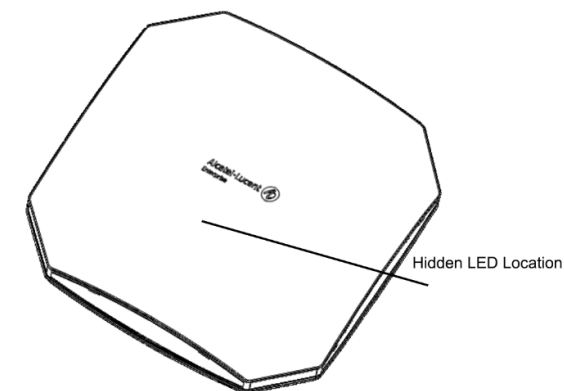


Inform your ALE sales representative of incorrect, missing, or damaged parts. If possible, retain the carton, including the original packing materials. Use these materials to repack and return the unit to the supplier if needed. Additional mounting kits for use with the OmniAccess Stellar access points are sold separately. Contact your ALE sales representative for details.

Hardware Overview

The following sections outline the hardware components of the OAW-AP1521 access point.

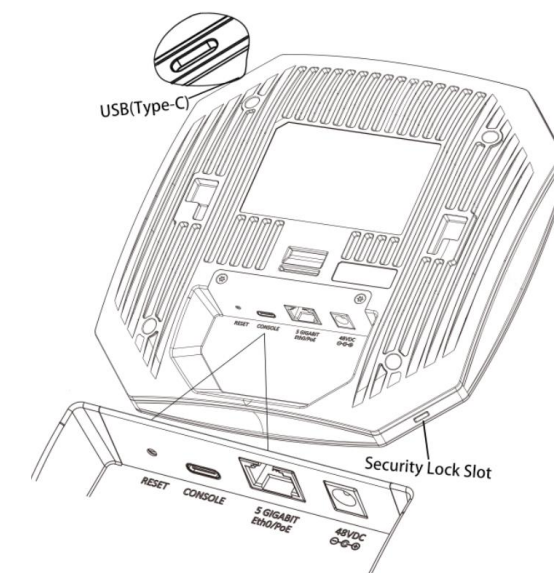
Figure 2: OAW-AP1521 Front View



LED

The OAW-AP1521 access point is equipped with hidden LED display that indicates different status with different color. For the details of the LED status, please refer to the Quick Start Guide.

Figure 3: OAW-AP1521 Back View



◆ OAW-AP1521 External Interfaces

Table 1

Interface	Specifications
10 GIGABIT Eth0/PoE	10GBASE-T/5GBASE-T/2.5GBASE-T/1000BASE-T/100BASE-TX Full/Half Duplex Ethernet (RJ-45) port, Power over Ethernet (PoE) 802.3bt compliant.
1 GIGABIT Eth1	1GBASE-T/1000BASE-T/ 100BASE-TX Full/Half Duplex Ethernet (RJ-45) port.
Console	USB 2.0 device interface (Type-C, Console for Service & Support only).
USB	USB 2.0 host interface (Type-C, output current 1A)
DC Power Socket	DC 48V power jack, support powering AP through a designated AC-DC power adapter.
Reset	Factory reset. Press reset button for 5s, AP LEDs will quickly flash for 3s, then AP will restart and restore factory configurations.

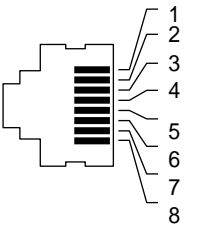
<https://www.al-enterprise.com>

The Alcatel-Lucent name and logo are trademarks of Nokia used under license by ALE. To view other trademarks used by affiliated companies of ALE holding, visit: <https://www.al-enterprise.com/en/legal/trademarks-copyright>. All other trademarks are the property of their respective owners. The information presented is subject to ALE without notice. Neither ALE Holding nor any of its affiliates assumes any responsibility for inaccuracies contained herein. (2024)

Security Lock Slot	The AP is equipped with a security lock slot for additional security.
--------------------	---

Table 2

Ethernet Port Pinout

Connector	Pin	Signal Name	PoE
	1	RJ45_DA+	PoE-
	2	RJ45_DA-	PoE-
	3	RJ45_DB+	PoE+
	4	RJ45_DC+	PoE+
	5	RJ45_DC-	PoE+
	6	RJ45_DB-	PoE+
	7	RJ45_DD+	PoE-
	8	RJ45_DD-	PoE-

Power

The OAW-AP1521 access point supports direct DC power adapter (48V DC nominal, sold separately) and Power over Ethernet (PoE). The DC power connector port is located on the back of the device, as shown in Figure 3.

The PoE allows the Ethernet port to draw power from an IEEE 802.3bt compliant source with full functionality.

OmniAccess Stellar AP supports the power adapter provided by ALE ONLY.

Before You Begin

Refer to the sections below before beginning the installation process.

Pre-installation Checklist

Before installing your OAW-AP1521 Stellar access point, be sure that you have the following items:

- 8-conductor, CAT5E or better UTP cable of required length.
 - CAT5E support 5GE up to 55meters in a high Alien noise environment, 5GE up to 100meters in a low Alien noise environment, 2.5GE up to 100meters.
- One of the following power sources:
 - IEEE 802.3bt compliant Power over Ethernet (PoE) source (PoE switch or PoE injector) full function.
 - Power safe mode1: 802.3at POE:
 - ♦ Disable USB, PSE.
 - ♦ 5G Radio working in 2*2 mode.
 - AC-DC adapter (sold separately), output voltage DC 48V, output current $\geq 1A$
- A terminal or a notebook

Identifying Specific Installation Locations

You can mount the OmniAccess Stellar AP on a ceiling rail or on a wall, or in various common Junction boxes. You should first determine the location of the installation. The installation position is located at the center of the required coverage area and should be free from obstructions or obvious sources of interference.

- Minimize the number of obstructions (such as walls) between the AP and user terminals.
- Electronic equipment or devices (such as microwave ovens) which may produce radio frequency noise should be away from the installation position of the AP.

It is strictly prohibited to install around stagnant water, water seepage, leakage or condensation. Avoid cable condensation or water seepage along the cables connecting to the AP.

AP Installation

Refer to mounting kits installation Guide.

Verifying Post-Installation Connectivity

The LED on the AP can be used to verify that the AP is receiving power and initializing successfully.

Product Specifications

OAW-AP1521 Dimensions/Weight

Unboxed OAW-AP1521:

- Net Weight: 1.03kg
- Dimensions (WxDxH): 7.48 inches x 7.48 inches x 1.49 inches (190mm x 190mm x 38mm)

Environmental

- Operating:
 - Temperature: 0°C to +50°C (+32°F to +122°F)
 - Humidity: 5% to 95% non-condensing
- Storage and transportation:
 - Temperature: -40°C to +70°C (-40°F to +158°F)

For additional specifications on this product, please refer to the Datasheet.

Contacting Alcatel-Lucent Enterprise

Website Support	
Main Site	https://www.al-enterprise.com
Support Site	https://myportal.al-enterprise.com
Support Email	ale.welcomecenter@al-enterprise.com
Telephone Support	
North America	1-800-995-2696
Latin America	1-877-919-9526
Europe	+800 00200100 (Toll Free) or +1(650)385-2193
Asia Pacific	+65 6240 8484
Other Region	1-818-878-4507