



USER MANUAL

SH-291



PROFESSIONAL SPEAKER

PLEASE READ THIS USER MANUAL CAREFULLY BEFORE SYSTEM CONNECT

IMPORTANT SAFETY MEASURES

Before using this machine, please read all the safety and operating instructions, meanwhile, please observe all the indications about safe operating. These safety and operating instructions should be kept in condition of consultation.

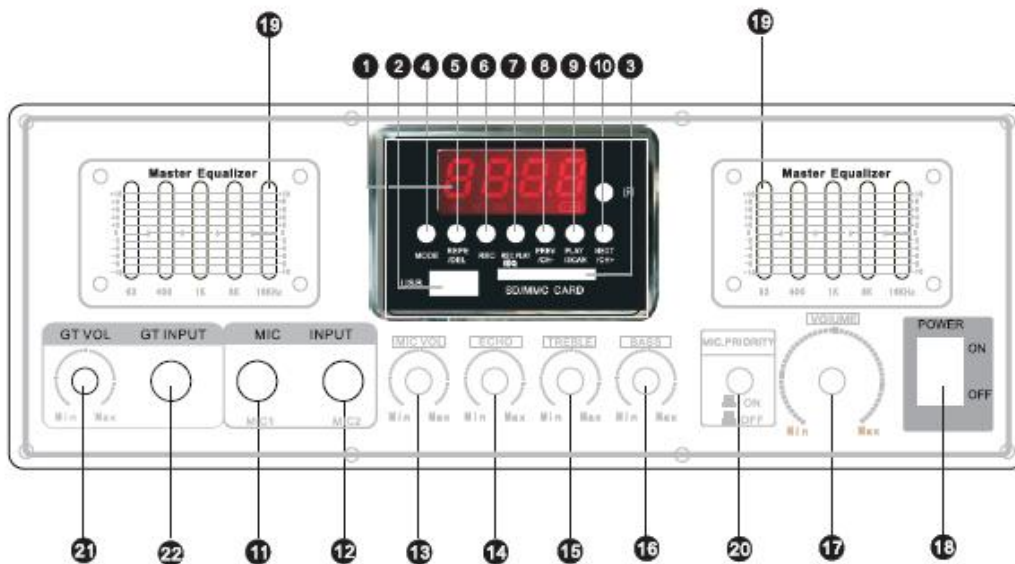


1. Protection of electric power supply line: Be aware that the electric power supply line is not tramped, pressed by heavy objects. Pay special attention to the plug of power supply line and outlet on the machine. DO NOT lengthen the electric shock, DO NOT pull or drag or the power supply line.
 2. Ventilation: This set must be put in ventilated place. DO NOT put disk on it or cloth to cover it. The distance away from the wall should not be less than 10 centimeters. DO NOT put this set on the bed, sofa, carpet or other objects with similar surface in case of good ventilation.
 3. Casing Dismantling: DO NOT dismantle the casing. If one touches the inner components, he will probably get serious electric shock.
 4. Unusual smell: When you discover unusual smell and smoke, cut power supplies immediately and pulls out the plus from the outlet on the wall. Contact the sell shop or nearest repairing center.
- Attention: This set applies to AC 100V~240V/50Hz~60Hz power supply. Use standard power supply. Pls be sure for the correct power supply before use it.

1-1 PRODUCT FEATURES

1. High output power;
2. With Karaoke function;
3. The treble is clear ,natural and bass is powerful;
4. Compatible to DVD/VCD/CD/TAPE/MP3/MP4/AUX

2-1 FRONT PANEL FUNCTION INSTRUCTION



- 1.LED display
- 2.USB input
- 3.SD /MMC input
- 4.MODE:USB/SD/Line (Audio input) /FM /Bluetooth switch button
- 5.Repeat/Del
- 6.RECORD
- 7.REPLAY : Play the recorded file
- 8.MP3 prev/ FM CH- button
- 9.MP3 play/ pause/FM scan
- 10.MP3 next/ FM CH+ button
- 11.MIC 1 input
- 12.MIC 2 input
- 13.MIC VOL
- 14.ECHO
- 15.TREBLE
- 16.BASS
- 17.VOLUME
- 18.POWER SWITCH
- 19.Equalizer
- 20.Mic Priority
21. Guitar Volume
22. Guitar Input



Remote control

- STANDBY ● Mp3 standby
- MODE ● USB/SD/Line (Audio input) /FM /Bluetooth switch button
- MP3 PREVIOUS ● Mp3 prev/ FM CH- button
- MP3 PLAY/PAUSE ● Mp3 play/pause button / FM tuner
- MP3 NEXT ● Mp3 next/ FM CH+ button
- RECORD ● Record function
- REPLAY ● Play the recorded file
- EQ ● CH-/ Mp3 eq button
- REPEAT ● Mp3 repeat button/DELETE
- VOLUME UP ● Mp3 volume up button
- VOLUME DOWN ● MP3 volume down button
- MUTE ● Mute button
- FM SCAN ● FM Scan button
- MP3 NUMBER ● Mp3 number button

Blue tooth Use Instruction:

change the mode into "BLUE", the bluetooth sign light twinkles, and speaker have sound "di". Set on mobilephone, connect to Bluetooth data, search equipment and match properly. The proper connect bluetooth lights keep on, and music work on speaker normally.

NFC Function:

If your phone have the NFC function, that you just put your phone to the sensor, (Where have the NFC sticker on the unit). It will be automatic connect, not need password.

Record Function:

Speaker can record the sound or music from microphone, FM radio, or AUX sound sources. and Save the record file in USB or SD card.

Operation as below :

- 1.Put the USB or SD card on speaker.
- 2.Connect with microphone to speaker or turn to FM radio to play. or connect AUX and play
- 3.Press "Record" button to record, after record finish, press "record" again to save the file.
- 4.Press "REC play" to play the recorded file.

3-1 BACK PANEL FUNCTION INSTRUCTION

- 1.AUDIO INPUT:DVD/TV/ or other AUX AV player audio signal input jack
- 2.Switch for AUDIO INPUT, and switch for LED
- 3.100V/240 Switch:Voltage AC100V and AC 240V transfer switch
- 4.AC input: AC120V input

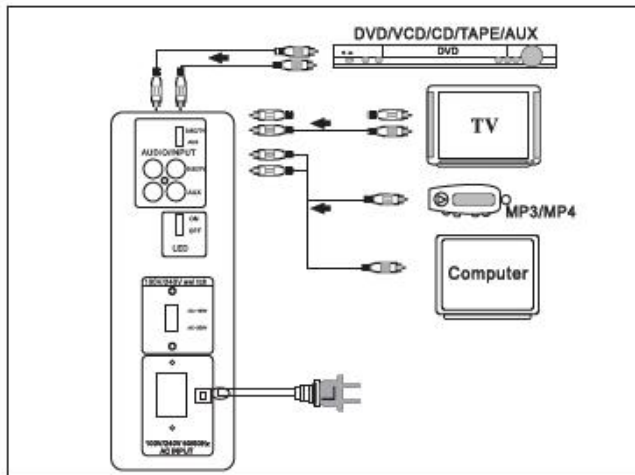
4-1 USE INSTRUCTION

- 1.connect the signal cables according to the back panel connection instruction
- 2.To sure the correct the Voltage ,Insert electronic source cable, turn on the power switch button
- 3.Adjust function keys to your satisfied best sound effect.

5-1 PRODUCT EQUIPMENT LIST

- 1.Speaker -----1pc
- 2.Power cable -----1pc
- 3.Mp3 remote control---1pc
- 4.User manual-----1pc
- 5.AV cable -----1pc
- 6.Audio cable-----1pc

6-1 BACK PANEL CONNECTION DIAGRAM



7-1 PRECAUTION

In order to prevent operating problems or serious damage to the device, please comply with the following remarks:

1. Hold the electric outlet while pulling out the plug. Do not pull the wire.
2. Operating audio appliances should be kept away from heating facilities.
3. Do not attempt to fix or revise the circuit.
4. Do not touch the internal parts, otherwise electric shock or serious damage to the device might cause.
5. Pull out the plug if not in use for long.
6. Ensure the audio product in a ventilated dry condition with about 20mm Space around as for heating dispersion.

Warning: Do not expose this appliance to rain or moisture, and vessel containing liquids, such as a cup, vase, is not supposed to be placed on or above the appliance.

8-1 TROUBLESHOOTING

Symptom	Possible Problem	Solution
No Function Light & No Sound	1. Plug is not well connected	Insert the plug into electric outlet
	2. Speaker power button is not turned on	Turn on the button
Function Light on but No Sound	1. Cable misconnected	Turn off the power, check the input jack to ensure proper audio signal is connected to relevant input jack
	2. Audio signal is not transmitted to Speaker	Check all the speakers if there is audio signal output
If the problem exists after checking related procedures above, please refer to the appointed service agent or professional technician to fix it. Do not attempt to open the cover, otherwise we assumes no responsibility.		

FCC Caution:

This device complies with part 15 of the FCC Rules. Operation is subject to the following two conditions: (1) This device may not cause harmful interference, and (2) this device must accept any interference received, including interference that may cause undesired operation.

Any Changes or modifications not expressly approved by the party responsible for compliance could void the user's authority to operate the equipment.

Note: This equipment has been tested and found to comply with the limits for a Class B digital device, pursuant to part 15 of the FCC Rules. These limits are designed to provide reasonable protection against harmful interference in a residential installation. This equipment generates uses and can radiate radio frequency energy and, if not installed and used in accordance with the instructions, may cause harmful interference to radio communications. However, there is no guarantee that interference will not occur in a particular installation. If this equipment does cause harmful interference to radio or television reception, which can be determined by turning the equipment off and on, the user is encouraged to try to correct the interference by one or more of the following measures:

- Reorient or relocate the receiving antenna.
- Increase the separation between the equipment and receiver.
- Connect the equipment into an outlet on a circuit different from that to which the receiver is connected.
- Consult the dealer or an experienced radio/TV technician for help.