

FCC RADIO TEST REPORT

FCC ID: 2AHZ5-TAB

Product : Tablet

Trade Mark : CUBOT

Model Name : TAB KINGKONG MINI

Family Model : TAB KINGKONG S, TAB KINGKONG 2,
TAB KINGKONG 3, TAB 70, TAB 80, TAB
90

Report No. : S25052400910004

Prepared for

Shenzhen Huafurui Technology Co., Ltd.

Unit 601-03, 6/F, Block A, Building 1, Ganfeng Technology Building, No.
993 Jiaxian Road, Xiangjiaotang Community, Bantian Street, Longgang
District, Shenzhen, P.R. China

Prepared by

Shenzhen NTEK Testing Technology Co., Ltd.

No. 24 Xinfa East Road, Xiangshan Community, Xinqiao Street,
Baoan District, Shenzhen, Guangdong, People's Republic of China

Tel. 0755-23200050 Website: <http://www.ntek.org.cn>

TEST RESULT CERTIFICATION

Applicant's name : Shenzhen Huafurui Technology Co., Ltd.
Address : Unit 601-03, 6/F, Block A, Building 1, Ganfeng Technology Building, No. 993 Jiaxian Road, Xiangjiaotang Community, Bantian Street, Longgang District, Shenzhen, P.R. China
Manufacturer's Name : Shenzhen Huafurui Technology Co., Ltd.
Address : Unit 601-03, 6/F, Block A, Building 1, Ganfeng Technology Building, No. 993 Jiaxian Road, Xiangjiaotang Community, Bantian Street, Longgang District, Shenzhen, P.R. China

Product description

Product name : Tablet
Model and/or type reference : TAB KINGKONG MINI
Family Model : TAB KINGKONG S, TAB KINGKONG 2, TAB KINGKONG 3, TAB 70 TAB 80, TAB 90
Sample number : S250524009009
Standards : FCC Part15.407
Test procedure : ANSI C63.10-2013 and KDB 789033 D02 General UNII Test Procedures New Rules v02r01

This device described above has been tested by NTEK, and the test results show that the equipment under test (EUT) is in compliance with the FCC requirements/ the Industry Canada requirements.. And it is applicable only to the tested sample identified in the report.

This report shall not be reproduced except in full, without the written approval of NTEK, this document may be altered or revised by NTEK, personnel only, and shall be noted in the revision of the document.

Date of Test :
Date (s) of performance of tests : May. 24, 2025 ~ Jul. 01, 2025
Date of Issue : Jul. 01, 2025
Test Result : Pass

Prepared By : Allen Liu (Project Engineer)

Reviewed By : Aaron Cheng (Supervisor)

Approved By : Alex Li (Manager)

Table of Contents

	Page
1 . SUMMARY OF TEST RESULTS	5
1.1 FACILITIES AND ACCREDITATIONS	6
1.2 MEASUREMENT UNCERTAINTY	6
2 . GENERAL INFORMATION	7
2.1 GENERAL DESCRIPTION OF EUT	7
2.2 DESCRIPTION OF TEST MODES	10
2.3 BLOCK DIGRAM SHOWING THE CONFIGURATION OF SYSTEM TESTED	11
2.4 DESCRIPTION OF SUPPORT UNITS(CONDUCTED MODE)	12
2.5 EQUIPMENTS LIST FOR ALL TEST ITEMS	13
3 . TEST REQUIREMENTS	15
3.1 CONDUCTED EMISSION MEASUREMENT	15
3.2 RADIATED EMISSION MEASUREMENT	20
3.3 POWER SPECTRAL DENSITY TEST	39
3.4 26DB & 99% EMISSION BANDWIDTH	42
3.5 MINIMUM 6 DB BANDWIDTH	44
3.6 MAXIMUM CONDUCTED OUTPUT POWER	46
3.7 OUT OF BAND EMISSIONS	50
3.8 SPURIOUS RF CONDUCTED EMISSIONS	52
3.9 FREQUENCY STABILITY MEASUREMENT	53
4. ANTENNA REQUIREMENT	60
4.1 STANDARD REQUIREMENT	60
4.2 EUT ANTENNA	60

1. SUMMARY OF TEST RESULTS

Test procedures according to the technical standards:

FCC Part15 (15.407) , Subpart E			
Standard Section	Test Item	Judgment	Remark
15.207	AC Power Line Conducted Emissions	PASS	
15.209(a), 15.407 (b)(1) 15.407 (b)(4)	Spurious Radiated Emissions	PASS	
15.407 (a)(1) 15.407 (a)(3)	26 dB and 99% Emission Bandwidth	PASS	
15.407(e)	Minimum 6 dB bandwidth	PASS	
15.407 (a)(1) 15.407 (a)(3)	Maximum Conducted Output Power	PASS	
15.407(b)(1) 15.407(b)(4)	Band Edge	PASS	
15.407 (a)(1) 15.407 (a)(3)	Power Spectral Density	PASS	
15.407(b)	Spurious Emissions at Antenna Terminals	PASS	
15.203	Antenna Requirement	PASS	
15.407(c)	Automatically discontinue transmission	PASS	

NOTE:

(1) "N/A" denotes test is not applicable in this Test Report

1.1 FACILITIES AND ACCREDITATIONS

FACILITIES

All measurement facilities used to collect the measurement data are located at No. 24 Xinfu East Road, Xiangshan Community, Xinqiao Street, Baoan District, Shenzhen, Guangdong, People's Republic of China.

The sites are constructed in conformance with the requirements of ANSI C63.7, ANSI C63.10 and CISPR Publication 22.

LABORATORY ACCREDITATIONS AND LISTINGS

Site Description

CNAS-Lab. : The Certificate Registration Number is L5516.

IC-Registration : The Certificate Registration Number is 9270A.
CAB identifier:CN0074

FCC- Accredited : Test Firm Registration Number: 463705.
Designation Number: CN1184

A2LA-Lab. : The Certificate Registration Number is 4298.01
This laboratory is accredited in accordance with the recognized International Standard ISO/IEC 17025:2005 General requirements for the competence of testing and calibration laboratories.
This accreditation demonstrates technical competence for a defined scope and the operation of a laboratory quality management system (refer to joint ISO-ILAC-IAF Communiqué dated 8 January 2009).

Name of Firm : Shenzhen NTEK Testing Technology Co., Ltd.

Site Location : No. 24 Xinfu East Road, Xiangshan Community, Xinqiao Street, Baoan District, Shenzhen, Guangdong, People's Republic of China.

1.2 MEASUREMENT UNCERTAINTY

The reported uncertainty of measurement $y \pm U$, where expanded uncertainty U is based on a standard uncertainty multiplied by a coverage factor of $k=2$, providing a level of confidence of approximately 95 %.

No.	Item	Uncertainty
1	Conducted Emission Test	$\pm 2.80\text{dB}$
2	RF power, conducted	$\pm 0.16\text{dB}$
3	Spurious emissions, conducted	$\pm 0.21\text{dB}$
4	All emissions, radiated(30MHz~1GHz)	$\pm 2.64\text{dB}$
5	All emissions, radiated(1GHz~6GHz)	$\pm 2.40\text{dB}$
6	All emissions, radiated(> 6GHz)	$\pm 2.52\text{dB}$
7	Temperature	$\pm 0.5^\circ\text{C}$
8	Humidity	$\pm 2\%$
9	All emissions, radiated(9KHz~30MHz)	$\pm 6\text{dB}$

2. GENERAL INFORMATION

2.1 GENERAL DESCRIPTION OF EUT

Equipment	Tablet	
Trade Mark	CUBOT	
Model Name	TAB KINGKONG MINI	
Family Model	TAB KINGKONG S, TAB KINGKONG 2, TAB KINGKONG 3, TAB 70, TAB 80, TAB 90	
Model Difference	All models have the same circuit and RF module, except for model names and colors.	
FCC ID	2AHZ5-TAB	
Product Description	IEEE 802.11 WLAN Mode Supported	<input checked="" type="checkbox"/> 802.11a/n/ac (20MHz channel bandwidth) <input checked="" type="checkbox"/> 802.11n/ac (40MHz channel bandwidth) <input checked="" type="checkbox"/> 802.11ac (80MHz channel bandwidth)
	Data Rate	802.11a: 6,9,12,18,24,36,48,54Mbps; 802.11n(HT20/HT40):MCS0-MCS15; 802.11ac(VHT20):MCS0-MCS8; 802.11ac(VHT40/VHT80):MCS0-MCS9;
	Modulation	OFDM with BPSK/QPSK/16QAM/64QAM/256QAM for 802.11a/n/ac;
	Operating Frequency Range	<input checked="" type="checkbox"/> 5180-5240MHz for 802.11a/n(HT20)/ac(VHT20); 5190-5230MHz for 802.11n(HT40)/ac(VHT40); 5210MHz for 802.11ac(VHT80) <input checked="" type="checkbox"/> 5745-5825 MHz for 802.11a/n(HT20)/ac(VHT20); 5755-5795 MHz for 802.11n(HT40)/ac(VHT40); 5775MHz for 802.11ac(VHT80)
	Number of Channels	<input checked="" type="checkbox"/> 4 channels for 802.11a/n20/ac20 in the 5180-5240MHz band ; 2 channels for 802.11 n40/ac40 in the 5190-5230MHz band ; 1 channels for 802.11 ac80 in the 5210MHz band ; <input checked="" type="checkbox"/> 5 channels for 802.11a/n20/ac20 in the 5745-5825MHz band ; 2 channels for 802.11 n40/ac40 in the 5755-5795MHz band ; 1 channels for 802.11 ac80 in the 5775MHz band ;
	Antenna Type	FPC Antenna
	Antenna Gain	5.2G:2.1dBi; 5.8G:2.1dBi
	Based on the application, features, or specification exhibited in User's Manual, More details of EUT technical specification, please refer to the User's Manual.	

Adapter	<p>Adapter 1: Model:HJ-PD33W-US Input:100-240V~50-60Hz 0.8A Output: 5.0V$\overline{\text{---}}$3.0A 15.0W OR 9.0V$\overline{\text{---}}$3.0A 27.0W OR 12.0V$\overline{\text{---}}$2.75A 33.0W</p> <p>Adapter 2: Model:TD-203G200170UF01 Input:100-240V~50-60Hz 0.6A Output: 5.0V$\overline{\text{---}}$3.0A 15.0W OR 9.0V$\overline{\text{---}}$3.0A 27.0W OR 12.0V$\overline{\text{---}}$2.5A 30.0W OR 15.0V$\overline{\text{---}}$2.0A 30.0W OR 20.0V$\overline{\text{---}}$1.5A 30.0W PPS:3.3V-16V/2A OR 3.3V-11V/3A</p>
Battery	DC 3.87V, 10200mAh, 39.474Wh
Power supply	DC 3.87V from battery or DC 5V/9V/12V from adapter1 or DC 5V/9V/12V/15V/20V from adapter2
Connecting I/O Port(s)	Please refer to the User's Manual
HW Version	T30D-UF-V1.2
SW Version	CUBOT_TAB_KINGKONG_MINI_P131_V1.0

Note:

1. For a more detailed features description, please refer to the manufacturer's specifications or the User's Manual.
2. Frequency and Channel list for 802.11a/n/ac(20MHz) band I (5180-5240MHz):

802.11a/n/ac(20MHz) Carrier Frequency Channel							
Channel	Frequency (MHz)	Channel	Frequency (MHz)	Channel	Frequency (MHz)	Channel	Frequency (MHz)
36	5180	44	5220	-	-	-	-
40	5200	48	5240	-	-	-	-

Frequency and Channel list for 802.11n/ac(40MHz) band I (5190-5230MHz):

802.11n/ac(40MHz) Carrier Frequency Channel							
Channel	Frequency (MHz)	Channel	Frequency (MHz)	Channel	Frequency (MHz)	Channel	Frequency (MHz)
38	5190	-	-	-	-	-	-
46	5230	-	-	-	-	-	-

Frequency and Channel list for 802.11ac(80MHz) band I (5210MHz):

802.11ac(80MHz) Carrier Frequency Channel							
Channel	Frequency (MHz)	Channel	Frequency (MHz)	Channel	Frequency (MHz)	Channel	Frequency (MHz)
42	5210	-	-	-	-	-	-

Frequency and Channel list for 802.11a/n/ac(20 MHz) band IV (5745-5825MHz):

802.11a/n/ac(20 MHz) Carrier Frequency Channel							
Channel	Frequency (MHz)	Channel	Frequency (MHz)	Channel	Frequency (MHz)	Channel	Frequency (MHz)
149	5745	153	5765	157	5785	161	5805
165	5825	-	-	-	-	-	-

Frequency and Channel list for 802.11n/ac(40MHz) band IV (5755-5795MHz):

802.11n/ac(40MHz) Carrier Frequency Channel					
Channel	Frequency (MHz)	Channel	Frequency (MHz)	Channel	Frequency (MHz)
151	5755	159	5795	-	-

Frequency and Channel list for 802.11ac(80MHz) band IV (5775MHz):

802.11ac(80MHz) Carrier Frequency Channel					
Channel	Frequency (MHz)	Channel	Frequency (MHz)	Channel	Frequency (MHz)
155	5775	-	-	-	-

2.2 DESCRIPTION OF TEST MODES

To investigate the maximum EMI emission characteristics generates from EUT, the test system was pre-scanning tested base on the consideration of following EUT operation mode or test configuration mode which possible have effect on EMI emission level. Each of these EUT operation mode(s) or test configuration mode(s) mentioned above was evaluated respectively.

Pretest Mode	Description
Mode 1	Normal Link Mode
Mode 2	802.11a / n 20 / ac 20 CH36/ CH40/ CH 48 802.11a / n 20 / ac 20 CH149/ CH157/ CH 165
Mode 3	802.11n40 / ac40 CH38/ CH 46 802.11n 40 / ac 40 CH 151 / CH 159
Mode 4	802.11ac80 CH 42 802.11ac 80 CH 155

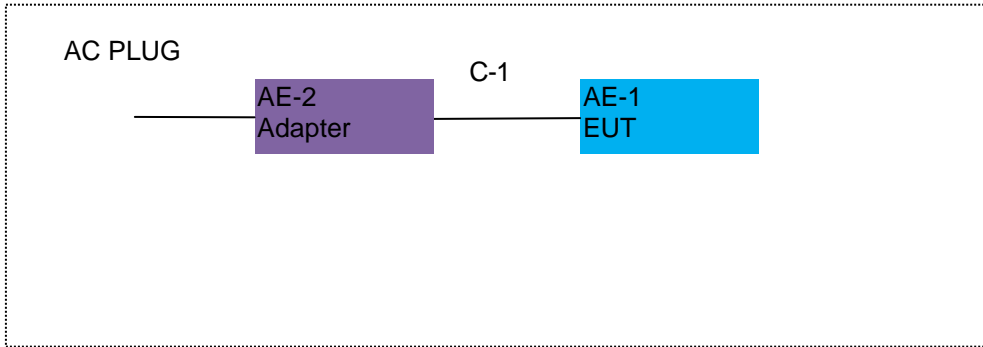
For Radiated Emission	
Final Test Mode	Description
Mode 1	Normal Link Mode
Mode 2	802.11a / n 20 / ac 20 CH36/ CH40/ CH 48 802.11a / n 20 / ac 20 CH149/ CH157/ CH 165
Mode 3	802.11n40 / ac40 CH38/ CH 46 802.11n 40 / ac 40 CH 151 / CH 159
Mode 4	802.11ac80 CH 42 802.11ac 80 CH 155

Note:

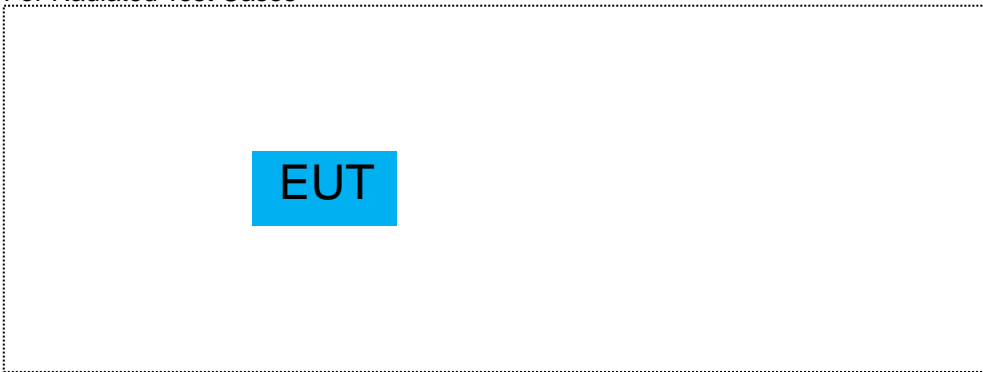
- (1) The measurements are performed at the highest, middle, lowest available channels.
- (2) The measurements are performed at all Bit Rate of Transmitter, the worst data was reported

2.3 BLOCK DIGRAM SHOWING THE CONFIGURATION OF SYSTEM TESTED

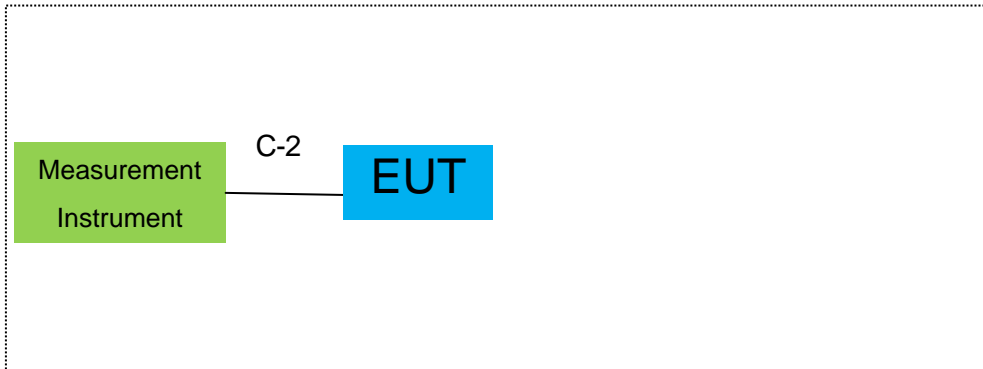
For AC Conducted Emission Mode



For Radiated Test Cases



For Conducted Test Cases



Note: 1.The temporary antenna connector is soldered on the PCB board in order to perform conducted tests and this temporary antenna connector is listed in the equipment list.
 2. EUT built-in battery-powered, the battery is fully-charged.

2.4 DESCRIPTION OF SUPPORT UNITS(CONDUCTED MODE)

The EUT has been tested as an independent unit together with other necessary accessories or support units. The following support units or accessories were used to form a representative test configuration during the tests.

Item	Equipment	Model/Type No.	Series No.	Note
AE-1	Tablet	TAB KINGKONG MINI	N/A	EUT
AE-2	Adapter1	HJ-PD33W-US	N/A	Peripherals
AE-2	Adapter2	TD-203G200170UF01	N/A	Peripherals

Item	Cable Type	Shielded Type	Ferrite Core	Length
C-1	USB Cable	YES	NO	1.0m
C-2	RF Cable	YES	NO	0.1m

Note:

- (1) The support equipment was authorized by Declaration of Confirmation.
- (2) For detachable type I/O cable should be specified the length in cm in 『Length』 column.

2.5 EQUIPMENTS LIST FOR ALL TEST ITEMS

Radiation& Conducted Test equipment

Item	Kind of Equipment	Manufacturer	Type No.	Serial No.	Last calibration	Calibrated until	Calibration period
1	Spectrum Analyzer	Agilent	E4440A	MY41000130	2025.04.24	2026.04.23	1 year
2	Spectrum Analyzer	Agilent	N9020A	MY49100060	2025.04.17	2026.04.16	1 year
3	Spectrum Analyzer	R&S	FSV40	101417	2025.04.17	2026.04.16	1 year
4	Test Receiver	R&S	ESPI7	101318	2025.04.17	2026.04.16	1 year
5	Bilog Antenna	TESEQ	CBL6111D	31216	2025.04.17	2026.04.16	1 year
6	50Ω Coaxial Switch	Anritsu	MP59B	6200983705	2024.04.26	2027.04.25	3 year
7	Horn Antenna	EM	EM-AH-10180	2011071402	2024.05.12	2027.05.11	3 year
8	Broadband Horn Antenna	SCHWARZBECK	BBHA 9170	803	2024.05.12	2027.05.11	3 year
9	Amplifier	EMC	EMC051835SE	980246	2025.04.17	2026.04.16	1 year
10	Active Loop Antenna	SCHWARZBECK	FMZB 1519B	055	2024.05.17	2027.05.16	3 year
11	Power Meter	DARE	RPR3006W	15I00041SN084	2025.04.17	2026.04.16	1 year
12	Test Cable (9KHz-30MHz)	N/A	R-01	N/A	2023.05.06	2026.05.05	3 year
13	Test Cable (30MHz-1GHz)	N/A	R-02	N/A	2023.05.06	2026.05.05	3 year
14	High Test Cable(1G-40GHz)	N/A	R-03	N/A	2023.05.06	2026.05.05	3 year
15	Filter	TRILTHIC	2400MHz	29	2024.04.26	2027.04.25	3 year
16	temporary antenna connector (Note)	NTS	R001	N/A	N/A	N/A	N/A

Note:

We will use the temporary antenna connector (soldered on the PCB board) When conducted test And this temporary antenna connector is listed within the instrument list

AC Conduction Test equipment

Item	Kind of Equipment	Manufacturer	Type No.	Serial No.	Last calibration	Calibrated until	Calibration period
1	Test Receiver	R&S	ESCI	101160	2025.04.17	2026.04.16	1 year
2	LISN	R&S	ENV216	101313	2025.04.16	2026.04.15	1 year
3	LISN	SCHWARZBECK	NNLK 8129	8129245	2025.04.16	2026.04.15	1 year
4	50Ω Coaxial Switch	ANRITSU CORP	MP59B	6200983704	2024.04.26	2027.04.25	3 year
5	Test Cable (9KHz-30MHz)	N/A	C01	N/A	2023.05.06	2026.05.05	3 year
6	Test Cable (9KHz-30MHz)	N/A	C02	N/A	2023.05.06	2026.05.05	3 year
7	Test Cable (9KHz-30MHz)	N/A	C03	N/A	2023.05.06	2026.05.05	3 year

Note: Each piece of equipment is scheduled for calibration once a year except the Test Cable& Aux Equipment which is scheduled for calibration every 3 years.

Measurement Software

Item	Manufacturer	Software Name	Software Version	Description
1	MWRftest	MTS 8310 2.4GHz/5GHz	2.0	RF Conducted Test
2	Farad	EZ-EMC_RE	AIT-03A	RadiatedTest
3	Farad	EZ-EMC_CE	AIT-03A	AC Conducted Test

3. TEST REQUIREMENTS

3.1 CONDUCTED EMISSION MEASUREMENT

3.1.1 APPLICABLE STANDARD

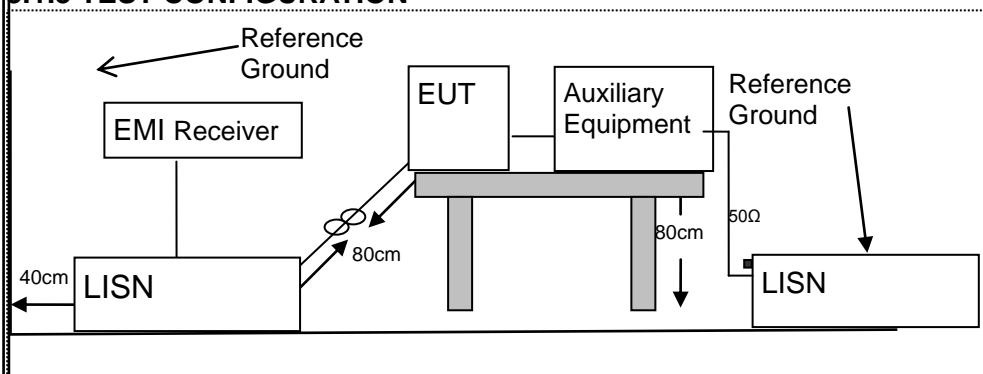
According to FCC Part 15.207(a)

3.1.2 CONFORMANCE LIMIT

Frequency(MHz)	Conducted Emission Limit	
	Quasi-peak	Average
0.15-0.5	66-56*	56-46*
0.5-5.0	56	46
5.0-30.0	60	50

Note: 1. *Decreases with the logarithm of the frequency
 2. The lower limit shall apply at the transition frequencies
 3. The limit decreases in line with the logarithm of the frequency in the range of 0.15 to 0.50MHz.

3.1.3 TEST CONFIGURATION



3.1.4 TEST PROCEDURE

According to the requirements in Section 13.1.4.1 of ANSI C63.10-2013 Conducted emissions the EUT measured in the frequency range between 0.15 MHz and 30 MHz using CISPR Quasi-Peak and average detector mode.

1. The EUT was placed 0.4 meter from the conducting wall of the shielding room.
2. The EUT was placed on a table which is 0.8m above ground plane.
3. Connect EUT to the power mains through a line impedance stabilization network (LISN). All other support equipments powered from additional LISN(s). The LISN provide 50 Ohm/ 50uH of coupling impedance for the measuring instrument.
4. Interconnecting cables that hang closer than 40 cm to the ground plane shall be folded back and forth in the center forming a bundle 30 to 40cm long.
5. I/O cables that are not connected to a peripheral shall be bundled in the center. The end of the cable may be terminated, if required, using the correct terminating impedance. The overall length shall not exceed 1 m.
6. LISN at least 80 cm from nearest part of EUT chassis.
7. The frequency range from 150KHz to 30MHz was searched.
8. Set the test-receiver system to Peak Detect Function and specified bandwidth(IF bandwidth=9KHz) with Maximum Hold Mode
9. For the actual test configuration, please refer to the related Item –EUT Test Photos.

3.1.5 TEST RESULTS

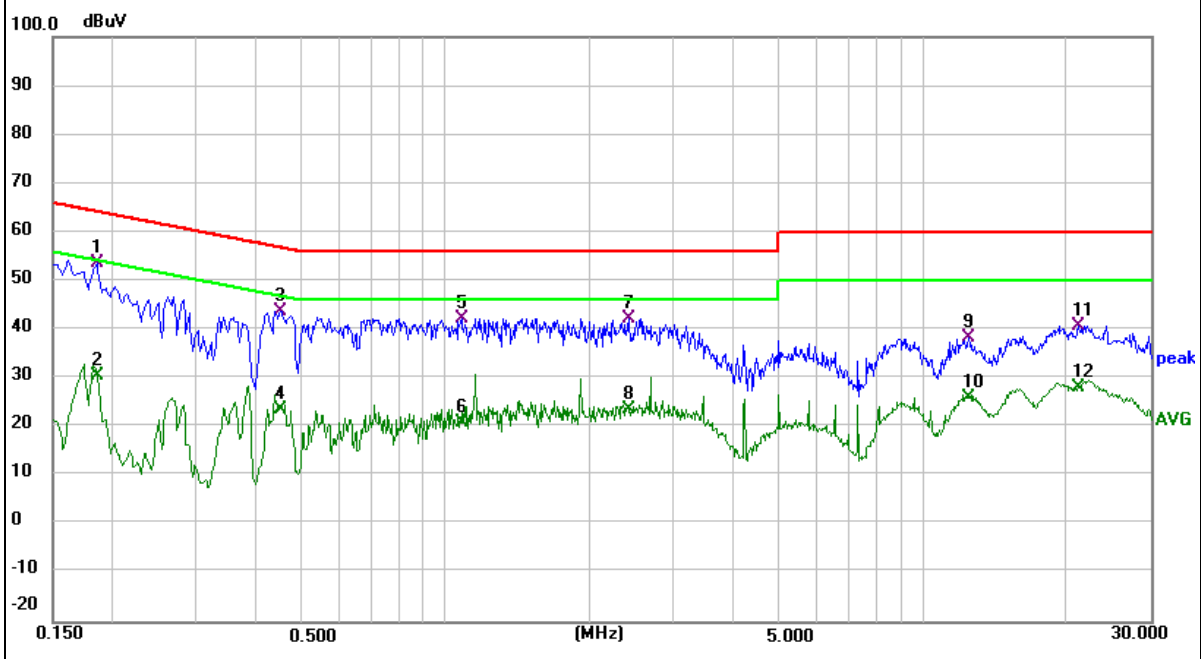
EUT :	Tablet	Model Name :	TAB KINGKONG MINI
Temperature :	23.8°C	Relative Humidity :	54.5%
Pressure :	1010hPa	Phase :	L
Test Voltage :	DC 5V from Adapter1 AC 120V/60Hz	Test Mode :	Mode 1 (5.2G)

Note: Both power supply 1 and power supply 2 have been evaluated, and only the worst power supply 1 is presented in the report.

Frequency (MHz)	Reading Level (dBμV)	Correct Factor (dB)	Measure-ment (dBμV)	Limits (dBμV)	Margin (dB)	Remark
0.1860	43.46	10.09	53.55	64.21	-10.66	QP
0.1860	20.32	10.09	30.41	54.21	-23.80	AVG
0.4500	33.21	10.62	43.83	56.88	-13.05	QP
0.4500	12.99	10.62	23.61	46.88	-23.27	AVG
1.0780	30.36	11.91	42.27	56.00	-13.73	QP
1.0780	8.90	11.91	20.81	46.00	-25.19	AVG
2.4140	32.47	9.83	42.30	56.00	-13.70	QP
2.4140	13.94	9.83	23.77	46.00	-22.23	AVG
12.5020	39.07	-0.72	38.35	60.00	-21.65	QP
12.5020	26.79	-0.72	26.07	50.00	-23.93	AVG
21.2580	28.95	11.95	40.90	60.00	-19.10	QP
21.2580	16.11	11.95	28.06	50.00	-21.94	AVG

Remark:

1. All readings are Quasi-Peak and Average values.
2. Factor = Insertion Loss + Cable Loss.

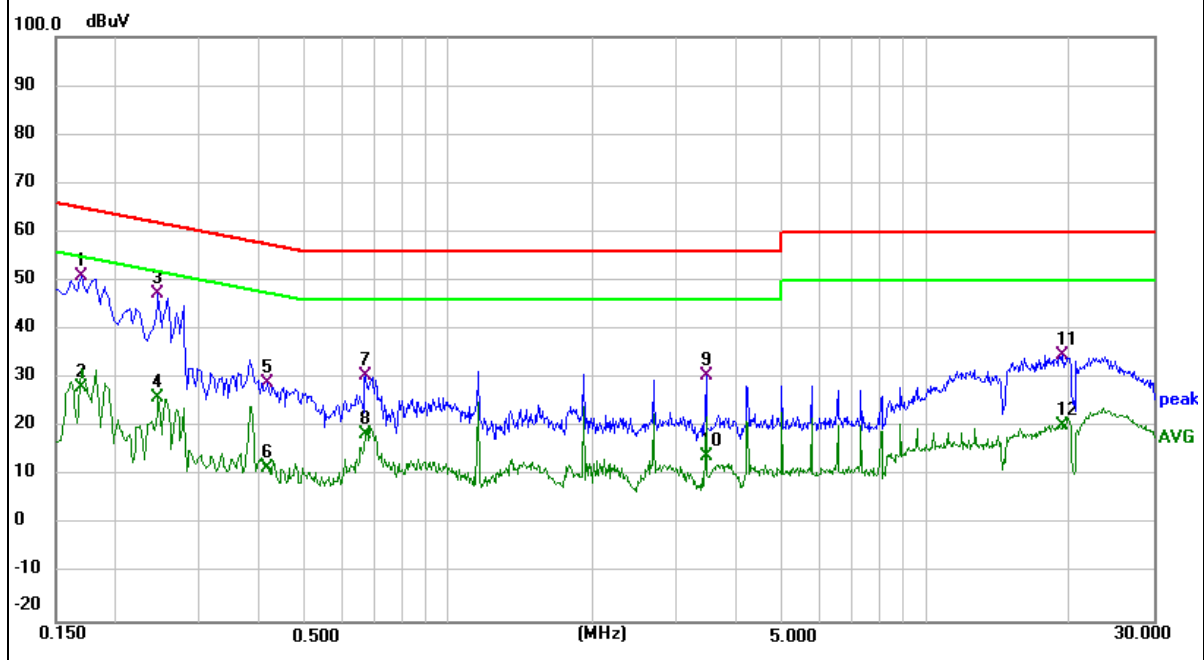


EUT :	Tablet	Model Name :	TAB KINGKONG MINI
Temperature :	23.8°C	Relative Humidity :	54.5%
Pressure :	1010hPa	Phase :	N
Test Voltage :	DC 5V from Adapter1 AC 120V/60Hz	Test Mode :	Mode 1 (5.2G)

Frequency (MHz)	Reading Level (dBμV)	Correct Factor (dB)	Measurement (dBμV)	Limits (dBμV)	Margin (dB)	Remark
0.1700	40.85	10.03	50.88	64.96	-14.08	QP
0.1700	17.99	10.03	28.02	54.96	-26.94	AVG
0.2460	37.04	10.19	47.23	61.89	-14.66	QP
0.2460	15.72	10.19	25.91	51.89	-25.98	AVG
0.4180	18.53	10.55	29.08	57.49	-28.41	QP
0.4180	1.04	10.55	11.59	47.49	-35.90	AVG
0.6700	19.44	11.11	30.55	56.00	-25.45	QP
0.6700	7.39	11.11	18.50	46.00	-27.50	AVG
3.4580	20.57	9.95	30.52	56.00	-25.48	QP
3.4580	4.05	9.95	14.00	46.00	-32.00	AVG
19.4260	22.86	11.94	34.80	60.00	-25.20	QP
19.4260	8.54	11.94	20.48	50.00	-29.52	AVG

Remark:

1. All readings are Quasi-Peak and Average values.
2. Factor = Insertion Loss + Cable Loss.

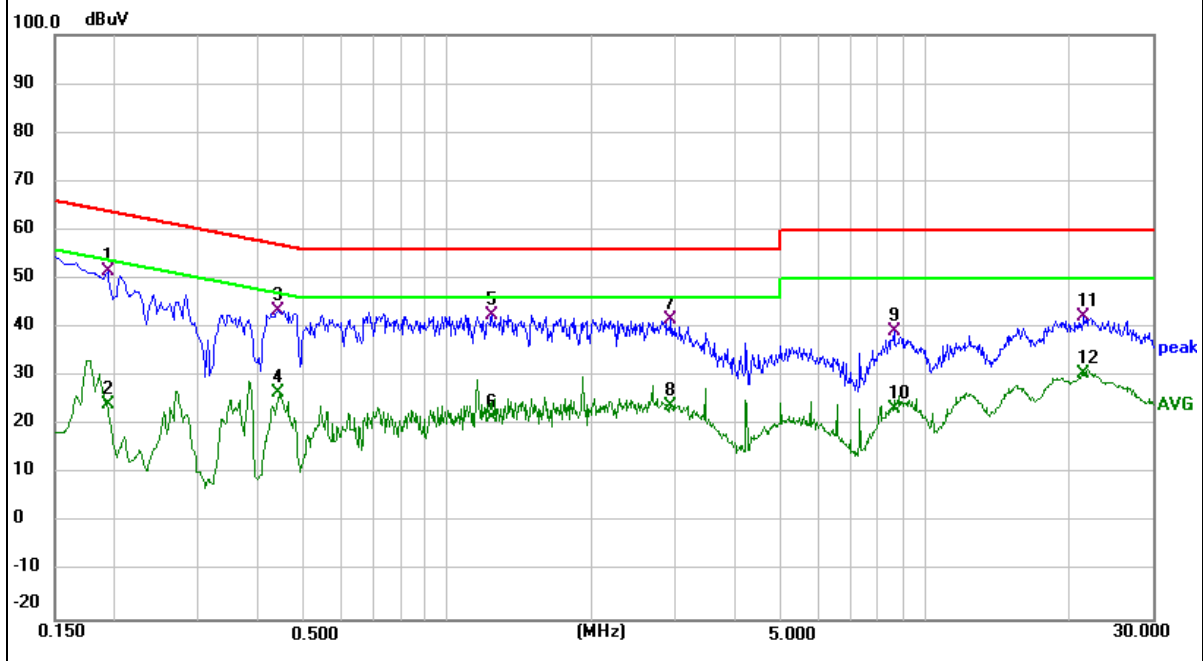


EUT :	Tablet	Model Name :	TAB KINGKONG MINI
Temperature :	23.8°C	Relative Humidity :	54.5%
Pressure :	1010hPa	Phase :	L
Test Voltage :	DC 5V from Adapter1 AC 120V/60Hz	Test Mode :	Mode 1 (5.8G)

Frequency (MHz)	Reading Level (dBμV)	Correct Factor (dB)	Measurement (dBμV)	Limits (dBμV)	Margin (dB)	Remark
0.1940	41.48	10.08	51.56	63.86	-12.30	QP
0.1940	14.17	10.08	24.25	53.86	-29.61	AVG
0.4420	32.79	10.60	43.39	57.02	-13.63	QP
0.4420	16.09	10.60	26.69	47.02	-20.33	AVG
1.2420	30.26	12.24	42.50	56.00	-13.50	QP
1.2420	9.44	12.24	21.68	46.00	-24.32	AVG
2.9420	31.76	9.87	41.63	56.00	-14.37	QP
2.9420	14.15	9.87	24.02	46.00	-21.98	AVG
8.5940	28.81	10.49	39.30	60.00	-20.70	QP
8.5940	12.87	10.49	23.36	50.00	-26.64	AVG
21.5180	30.17	11.99	42.16	60.00	-17.84	QP
21.5180	18.62	11.99	30.61	50.00	-19.39	AVG

Remark:

1. All readings are Quasi-Peak and Average values.
2. Factor = Insertion Loss + Cable Loss.

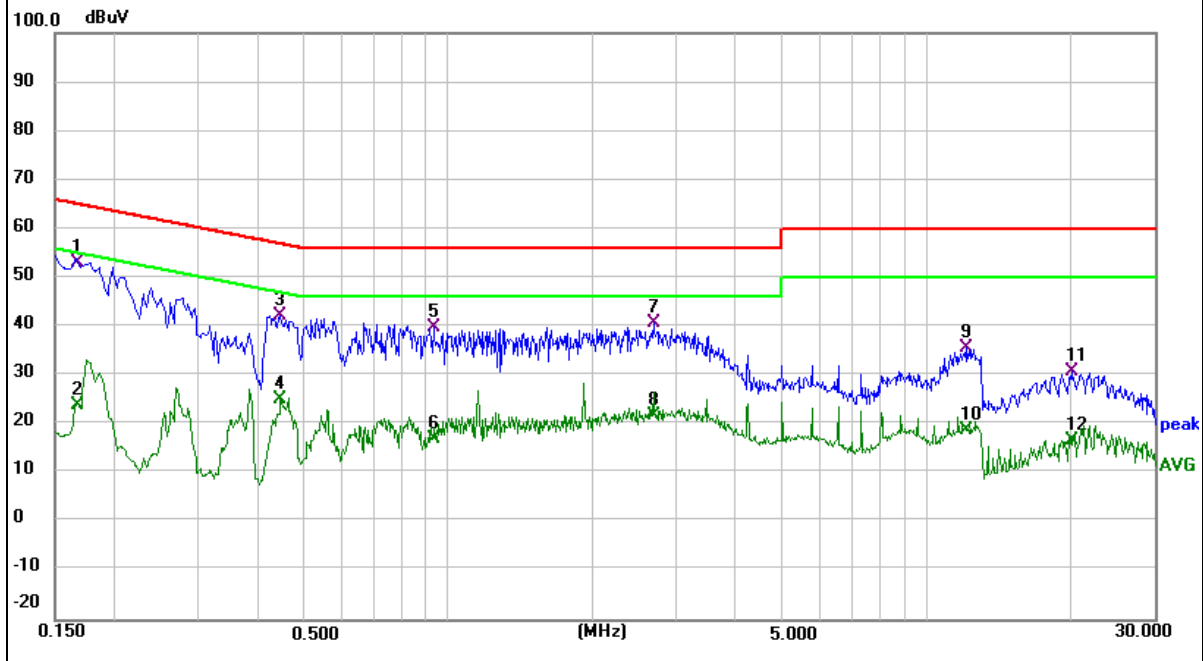


EUT :	Tablet	Model Name :	TAB KINGKONG MINI
Temperature :	23.8°C	Relative Humidity :	54.5%
Pressure :	1010hPa	Phase :	N
Test Voltage :	DC 5V from Adapter AC 120V/60Hz	Test Mode :	Mode 1 (5.8G)

Frequency (MHz)	Reading Level (dBμV)	Correct Factor (dB)	Measurement (dBμV)	Limits (dBμV)	Margin (dB)	Remark
0.1676	42.99	10.03	53.02	65.08	-12.06	QP
0.1676	13.87	10.03	23.90	55.08	-31.18	AVG
0.4460	31.52	10.61	42.13	56.95	-14.82	QP
0.4460	14.57	10.61	25.18	46.95	-21.77	AVG
0.9300	28.06	11.64	39.70	56.00	-16.30	QP
0.9300	5.33	11.64	16.97	46.00	-29.03	AVG
2.6900	30.90	9.90	40.80	56.00	-15.20	QP
2.6900	12.06	9.90	21.96	46.00	-24.04	AVG
12.1620	36.53	-1.02	35.51	60.00	-24.49	QP
12.1620	19.79	-1.02	18.77	50.00	-31.23	AVG
20.0900	18.89	11.83	30.72	60.00	-29.28	QP
20.0900	4.96	11.83	16.79	50.00	-33.21	AVG

Remark:

1. All readings are Quasi-Peak and Average values.
2. Factor = Insertion Loss + Cable Loss.



3.2 RADIATED EMISSION MEASUREMENT

3.2.1 APPLICABLE STANDARD

According to FCC Part 15.407(b) and 15.209

3.2.2 CONFORMANCE LIMIT

According to FCC Part 15.407(b)(7): radiated emissions which fall in the restricted bands, as defined in §15.205(a), must also comply with the radiated emission limits specified in §15.209(a) (see §15.205(c)).

According to FCC Part 15.205, Restricted bands

MHz	MHz	MHz	GHz
0.090-0.110	16.42-16.423	399.9-410	4.5-5.15
0.495-0.505	16.69475-16.69525	608-614	5.35-5.46
2.1735-2.1905	16.80425-16.80475	960-1240	7.25-7.75
4.125-4.128	25.5-25.67	1300-1427	8.025-8.5
4.17725-4.17775	37.5-38.25	1435-1626.5	9.0-9.2
4.20725-4.20775	73-74.6	1645.5-1646.5	9.3-9.5
6.215-6.218	74.8-75.2	1660-1710	10.6-12.7
6.26775-6.26825	123-138	2200-2300	14.47-14.5
8.291-8.294	149.9-150.05	2310-2390	15.35-16.2
8.362-8.366	156.52475-156.52525	2483.5-2500	17.7-21.4
8.37625-8.38675	156.7-156.9	2690-2900	22.01-23.12
8.41425-8.41475	162.0125-167.17	3260-3267	23.6-24.0
12.29-12.293	167.72-173.2	3332-3339	31.2-31.8
12.51975-12.52025	240-285	3345.8-3358	36.43-36.5
12.57675-12.57725	322-335.4	3600-4400	(2)
13.36-13.41			

20dBc in any 100 kHz bandwidth outside the operating frequency band. In case the emission fall within the restricted band specified on 15.205(a), then the 15.209(a) limit in the table below has to be followed.

Restricted Frequency(MHz)	Field Strength ($\mu\text{V}/\text{m}$)	Field Strength ($\text{dB}\mu\text{V}/\text{m}$)	Measurement Distance
0.009-0.490	2400/F(KHz)	20 log ($\mu\text{V}/\text{m}$)	300
0.490-1.705	24000/F(KHz)	20 log ($\mu\text{V}/\text{m}$)	30
1.705-30.0	30	29.5	30
30-88	100	40	3
88-216	150	43.5	3
216-960	200	46	3
Above 960	500	54	3

Limits of Radiated Emission Measurement(Above 1000MHz)

Frequency(MHz)	Class B ($\text{dB}\mu\text{V}/\text{m}$) (at 3M)	
	PEAK	AVERAGE
Above 1000	74	54

Remark : 1. Emission level in $\text{dB}\mu\text{V}/\text{m}=20 \log (\mu\text{V}/\text{m})$

2. Measurement was performed at an antenna to the closed point of EUT distance of meters.

3. For Frequency 9kHz~30MHz:

Distance extrapolation factor = $40 \log (\text{Specific distance}/ \text{test distance})(\text{dB})$;

Limit line=Specific limits($\text{dB}\mu\text{V}$) + distance extrapolation factor.

For Frequency above 30MHz:

Distance extrapolation factor = $20 \log (\text{Specific distance}/ \text{test distance})(\text{dB})$;

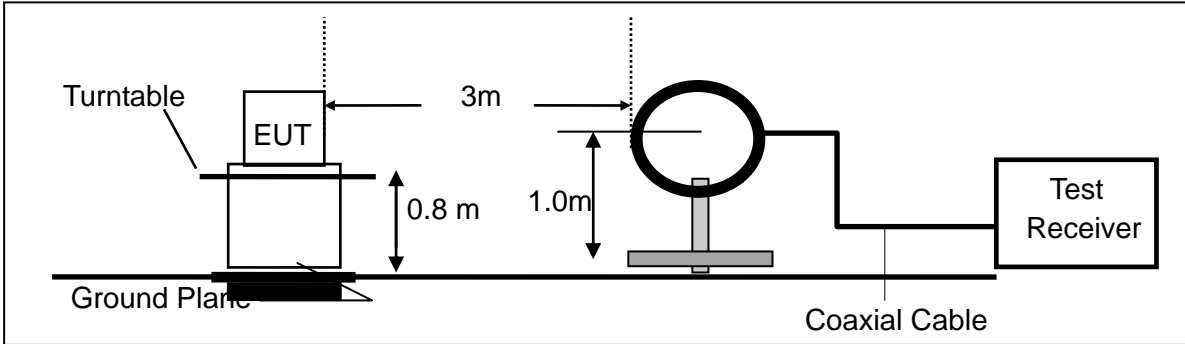
Limit line=Specific limits($\text{dB}\mu\text{V}$) + distance extrapolation factor.

3.2.3 MEASURING INSTRUMENTS

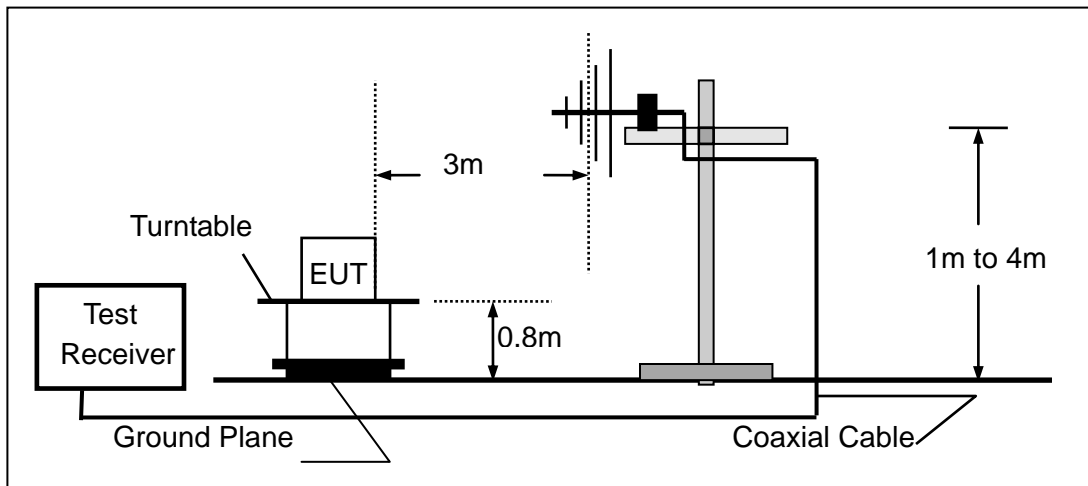
The Measuring equipment is listed in the section 6.3 of this test report.

3.2.4 TEST CONFIGURATION

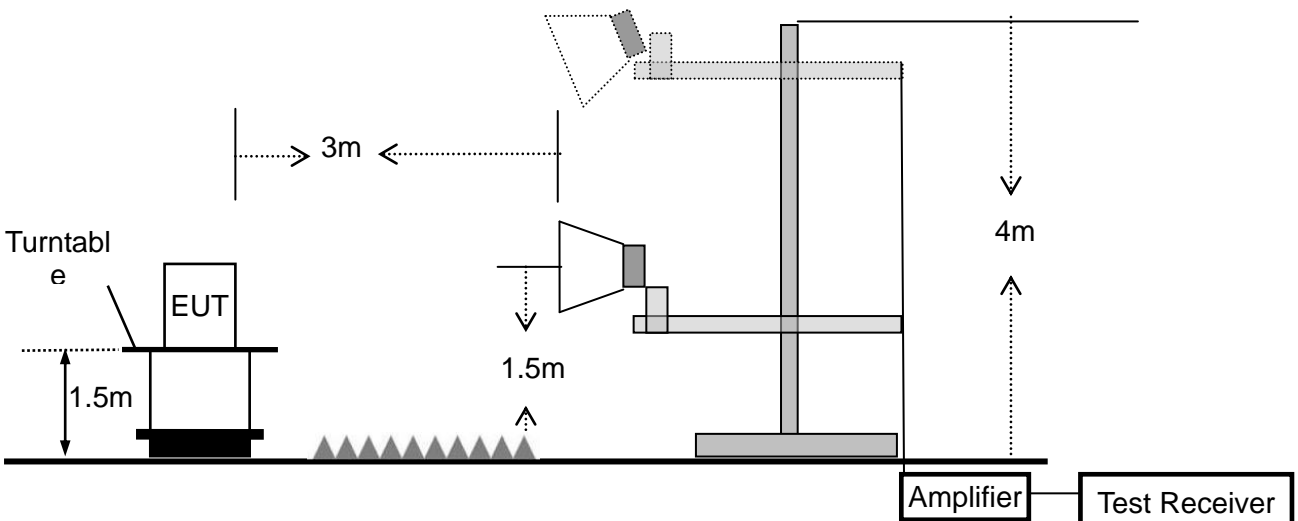
(a) For radiated emissions below 30MHz



(b) For radiated emissions from 30MHz to 1000MHz



(c) For radiated emissions above 1000MHz



3.2.5 TEST PROCEDURE

The test site semi-anechoic chamber has met the requirement of NSA tolerance 4 dB according to the standards: ANSI C63.10-2013. The test distance is 3m. The setup is according to the requirements in Section 13.1.4.1 of ANSI C63.10-2013 and CAN/CSA-CEI/IEC CISPR 22.

This test is required for any spurious emission that falls in a Restricted Band, as defined in Section 15.205. It must be performed with the highest gain of each type of antenna proposed for use with the EUT.

Use the following spectrum analyzer settings:

Spectrum Parameter	Setting
Attenuation	Auto
Start Frequency	1000 MHz
Stop Frequency	10th carrier harmonic
RB / VB (emission in restricted band)	1 MHz / 1 MHz for Peak, 1 MHz / 1MHz for Average

Receiver Parameter	Setting
Attenuation	Auto
Start ~ Stop Frequency	9kHz~150kHz / RB 200Hz for QP
Start ~ Stop Frequency	150kHz~30MHz / RB 9kHz for QP
Start ~ Stop Frequency	30MHz~1000MHz / RB 120kHz for QP

- The measuring distance of at 3 m shall be used for measurements at frequency up to 1GHz. For frequencies above 1GHz, any suitable measuring distance may be used.
- The EUT was placed on the top of a rotating table 0.8 m for below 1GHz and 1.5m for above 1GHz the ground at a 3 meter. The table was rotated 360 degrees to determine the position of the highest radiation.
- The height of the equipment or of the substitution antenna shall be 0.8 m for below 1GHz and 1.5m for above 1GHz; the height of the test antenna shall vary between 1 m to 4 m. Both horizontal and vertical polarizations of the antenna are set to make the measurement.
- The initial step in collecting conducted emission data is a spectrum analyzer peak detector mode pre-scanning the measurement frequency range. Significant peaks are then marked and then Quasi Peak detector mode re-measured.
- If the Peak Mode measured value compliance with and lower than Quasi Peak Mode Limit, the EUT shall be deemed to meet QP Limits and then no additional QP Mode measurement performed.
- For the actual test configuration, please refer to the related Item –EUT Test Photos.

Note:

Both horizontal and vertical antenna polarities were tested and performed pretest to three orthogonal axis. The worst case emissions were reported

During the radiated emission test, the Spectrum Analyzer was set with the following configurations:

Frequency Band (MHz)	Function	Resolution bandwidth	Video Bandwidth
30 to 1000	QP	120 kHz	300 kHz
Above 1000	Peak	1 MHz	1 MHz
	Average	1 MHz	1 MHz

Note: for the frequency ranges below 30 MHz, a narrower RBW is used for these ranges but the measured value should add a RBW correction factor (RBWCF) where $RBWCF [dB] = 10 \cdot \lg(100 [kHz] / \text{narrower RBW [kHz]})$. , the narrower RBW is 1 kHz and RBWCF is 20 dB for the frequency 9 kHz to 150 kHz, and the narrower RBW is 10 kHz and RBWCF is 10 dB for the frequency 150 kHz to 30 MHz.

3.2.6 TEST RESULTS (9KHz – 30 MHz)

EUT:	Tablet	Model Name. :	TAB KINGKONG MINI
Temperature:	20 °C	Relative Humidity:	48%
Pressure:	1010 hPa	Test Voltage :	DC 3.87V
Test Mode :	TX	Polarization :	--

Freq.	Reading	Limit	Margin	State
(MHz)	(dBuV/m)	(dBuV/m)	(dB)	P/F
--	--	--	--	N/A
--	--	--	--	N/A

NOTE:

The amplitude of spurious emissions which are attenuated by more than 20dB below the permissible value has no need to be reported.

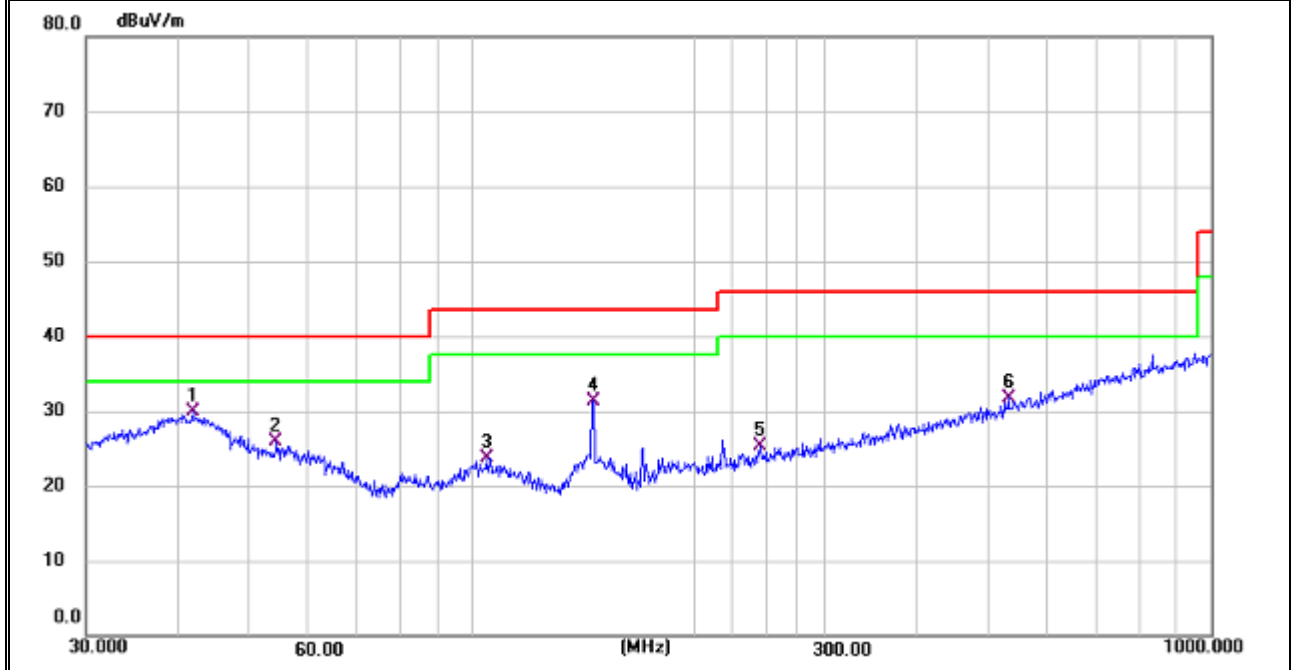
3.2.7 TEST RESULTS (30MHz – 1GHz)

EUT :	Tablet	Model Name. :	TAB KINGKONG MINI
Temperature :	25.5°C	Relative Humidity :	51%
Pressure :	1010 hPa	Test Voltage :	DC 3.87V
Test Mode :	TX(5.2G WIFI)		

Polar (H/V)	Frequency	Meter Reading	Factor	Emission Level	Limits	Margin	Remark
	(MHz)	(dBuV)	(dB)	(dBuV/m)	(dBuV/m)	(dB)	
V	41.8596	11.04	18.91	29.95	40.00	-10.05	QP
V	54.2610	6.35	19.51	25.86	40.00	-14.14	QP
V	104.5361	5.62	18.15	23.77	43.50	-19.73	QP
V	145.8611	16.86	14.49	31.35	43.50	-12.15	QP
V	245.0900	6.03	19.31	25.34	46.00	-20.66	QP
V	531.9635	6.48	25.32	31.80	46.00	-14.20	QP

Remark:

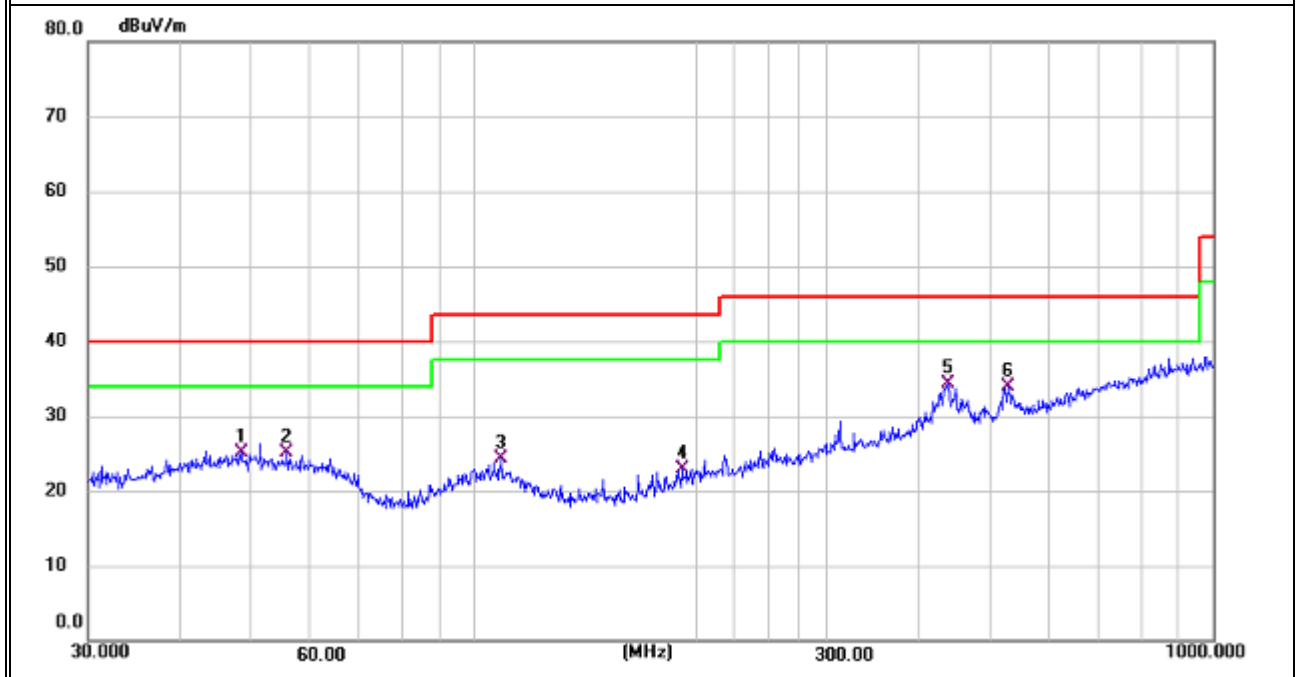
Emission Level = Meter Reading + Factor, Margin= Emission Level - Limit



Polar (H/V)	Frequency	Meter Reading	Factor	Emission Level	Limits	Margin	Remark
	(MHz)	(dBuV)	(dB)	(dBuV/m)	(dBuV/m)	(dB)	
H	48.3318	5.36	19.70	25.06	40.00	-14.94	QP
H	55.8047	5.69	19.43	25.12	40.00	-14.88	QP
H	108.6470	6.34	17.91	24.25	43.50	-19.25	QP
H	191.0738	5.54	17.30	22.84	43.50	-20.66	QP
H	438.6554	10.72	23.63	34.35	46.00	-11.65	QP
H	528.2458	8.77	25.19	33.96	46.00	-12.04	QP

Remark:

Emission Level = Meter Reading + Factor, Margin= Emission Level - Limit



Note (1) All modes have been tested, just the worst mode has been recorded in the report.

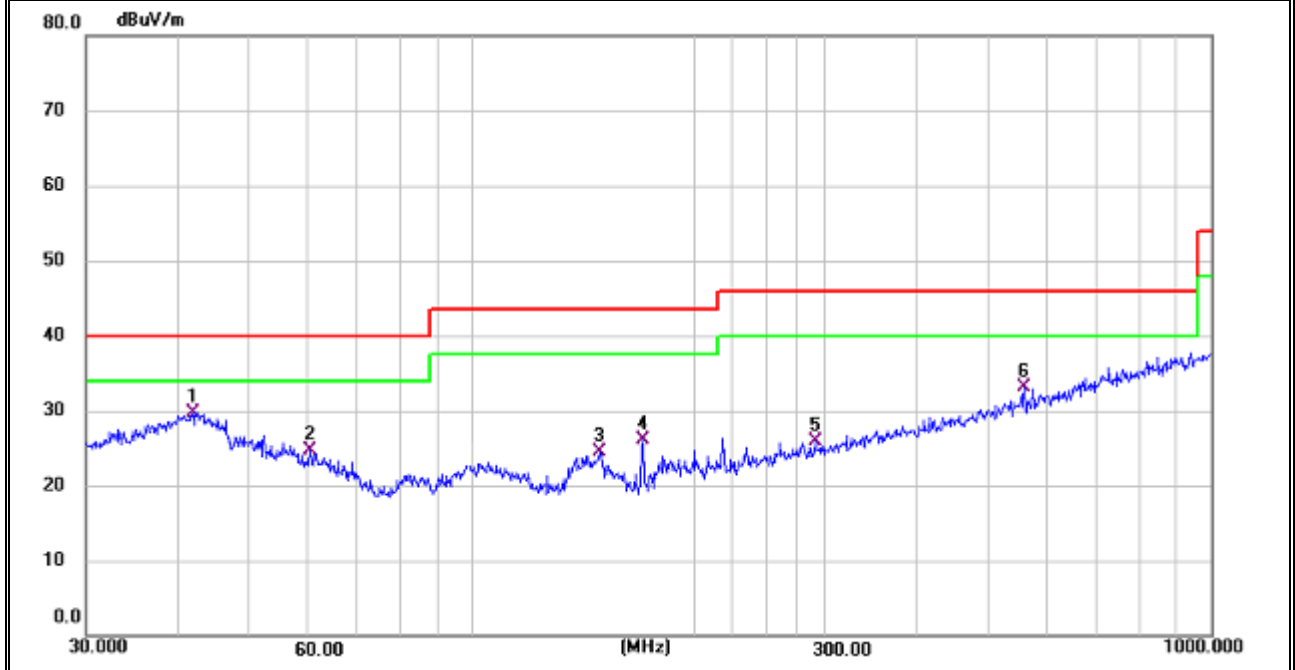
(2) Other emissions are attenuated more than 20dB below the permissible limits, so it does not recorded in the report.

EUT :	Tablet	Model Name. :	TAB KINGKONG MINI
Temperature :	25.5°C	Relative Humidity :	51%
Pressure :	1010 hPa	Test Voltage :	DC 3.87V
Test Mode :	TX(5.8G WIFI)		

Polar (H/V)	Frequency	Meter Reading	Factor	Emission Level	Limits	Margin	Remark
	(MHz)	(dBuV)	(dB)	(dBuV/m)	(dBuV/m)	(dB)	
V	41.8596	10.88	18.91	29.79	40.00	-10.21	QP
V	60.2801	5.88	18.81	24.69	40.00	-15.31	QP
V	148.9625	9.91	14.60	24.51	43.50	-18.99	QP
V	170.1948	10.51	15.56	26.07	43.50	-17.43	QP
V	291.0360	5.58	20.24	25.82	46.00	-20.18	QP
V	558.7302	7.45	25.69	33.14	46.00	-12.86	QP

Remark:

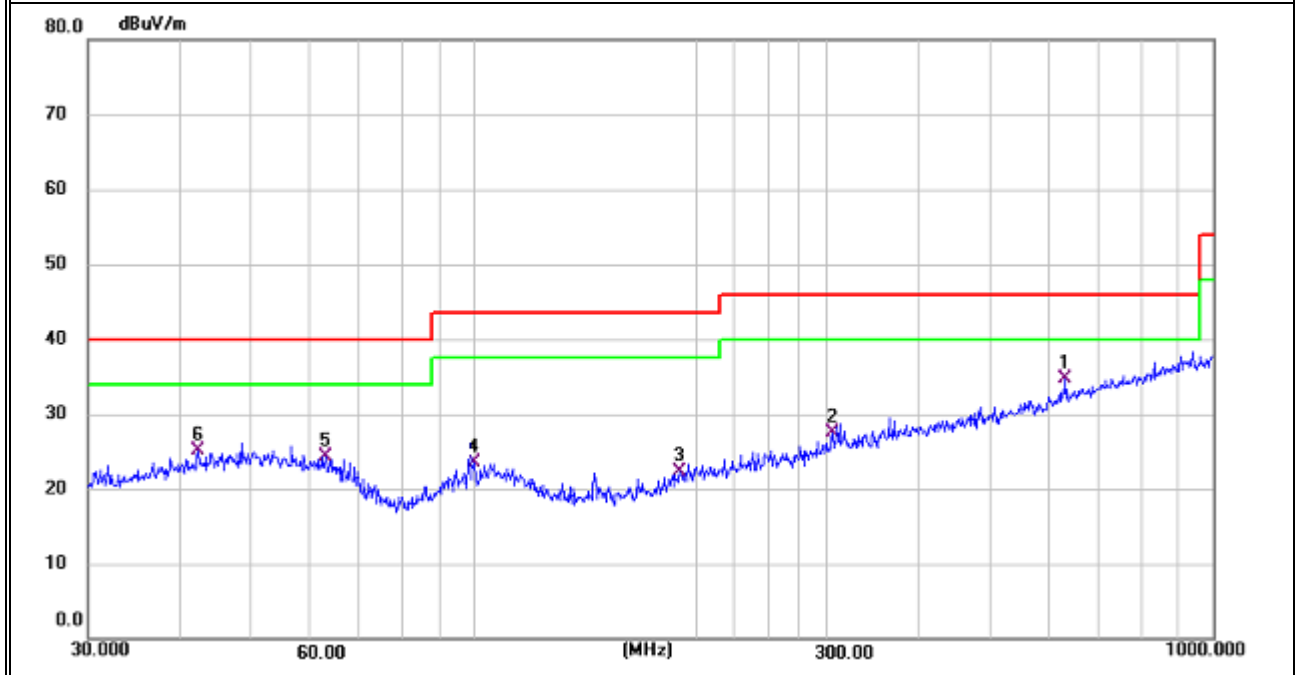
Emission Level = Meter Reading + Factor, Margin= Emission Level - Limit



Polar (H/V)	Frequency	Meter Reading	Factor	Emission Level	Limits	Margin	Remark
	(MHz)	(dBuV)	(dB)	(dBuV/m)	(dBuV/m)	(dB)	
H	631.6884	7.92	26.73	34.65	46.00	-11.35	QP
H	305.6800	7.01	20.56	27.57	46.00	-18.43	QP
H	189.7385	5.04	17.19	22.23	43.50	-21.27	QP
H	99.8777	5.53	17.89	23.42	43.50	-20.08	QP
H	62.8708	5.81	18.47	24.28	40.00	-15.72	QP
H	42.3022	6.07	19.06	25.13	40.00	-14.87	QP

Remark:

Emission Level = Meter Reading + Factor, Margin= Emission Level - Limit



Note (1) All modes have been tested, just the worst mode has been recorded in the report.

(2) Other emissions are attenuated more than 20dB below the permissible limits, so it does not recorded in the report.

3.2.8 TEST RESULTS (1GHz-18GHz)

EUT :	Tablet	Model Name. :	TAB KINGKONG MINI
Temperature :	20 °C	Relative Humidity :	48%
Pressure :	1010 hPa	Test Voltage :	DC 3.87V
Test Mode :	TX(5.2G) - 802.11ac20_5180~5240MHz		

Polar	Frequency	Meter Reading	Cable loss	Antenna Factor	Preamp Factor	Emission Level	Limits	Margin	Detector Type
(H/V)	(MHz)	(dBuV)	(dB)	dB/m	(dB)	(dBuV/m)	(dBuV/m)	(dB)	
Low Channel (5180 MHz)-Above 1G									
Vertical	3694.10	59.87	5.94	35.40	44.00	57.21	74.00	-16.79	Pk
Vertical	3694.10	39.92	5.94	35.40	44.00	37.26	54.00	-16.74	AV
Vertical	10360.15	60.56	8.46	39.75	44.50	64.27	68.20	-3.93	Pk
Vertical	15540.22	59.08	10.12	38.80	44.10	63.90	74.00	-10.10	Pk
Vertical	15540.22	40.33	10.12	38.80	42.70	46.55	54.00	-7.45	AV
Horizontal	3713.00	60.64	5.94	35.18	44.00	57.76	74.00	-16.24	Pk
Horizontal	3713.00	39.02	5.94	35.18	44.00	36.14	54.00	-17.86	AV
Horizontal	10360.47	60.42	8.46	38.71	44.50	63.09	68.20	-5.11	Pk
Horizontal	15540.38	60.09	10.12	38.38	44.10	64.49	74.00	-9.51	Pk
Horizontal	15540.38	40.58	10.12	38.38	44.10	44.98	54.00	-9.02	AV
middle Channel (5200 MHz)-Above 1G									
Vertical	3624.13	60.86	6.48	36.35	44.05	59.64	74.00	-14.36	Pk
Vertical	3624.13	40.70	6.48	36.35	44.05	39.48	54.00	-14.52	AV
Vertical	10400.09	59.27	8.47	37.88	44.51	61.11	68.20	-7.09	Pk
Vertical	15600.15	60.50	10.12	38.80	44.10	65.32	74.00	-8.68	Pk
Vertical	15600.15	39.33	10.12	38.80	42.70	45.55	54.00	-8.45	AV
Horizontal	4202.14	60.28	6.48	36.37	44.05	59.08	74.00	-14.92	Pk
Horizontal	4202.14	40.20	6.48	36.37	44.05	39.00	54.00	-15.00	AV
Horizontal	10400.14	59.79	8.47	38.64	44.50	62.40	68.20	-5.80	Pk
Horizontal	15600.51	60.33	10.12	38.38	44.10	64.73	74.00	-9.27	Pk
Horizontal	15600.51	40.21	10.12	38.38	44.10	44.61	54.00	-9.39	AV
High Channel (5240 MHz)-Above 1G									
Vertical	4597.70	59.00	7.10	37.24	43.50	59.84	74.00	-14.16	Pk
Vertical	4597.70	39.11	7.10	37.24	43.50	39.95	54.00	-14.05	AV
Vertical	10480.23	60.57	8.46	37.68	44.50	62.21	68.20	-5.99	Pk
Vertical	15720.15	60.95	10.12	38.80	44.10	65.77	74.00	-8.23	Pk
Vertical	15720.15	40.26	10.12	38.80	42.70	46.48	54.00	-7.52	AV
Horizontal	4589.26	59.17	7.10	37.24	43.50	60.01	74.00	-13.99	Pk
Horizontal	4589.26	39.30	7.10	37.24	43.50	40.14	54.00	-13.86	AV
Horizontal	10480.59	60.34	8.46	38.57	44.50	62.87	68.20	-5.33	Pk
Horizontal	15720.18	59.37	10.12	38.38	44.10	63.77	74.00	-10.23	Pk
Horizontal	15720.18	39.19	10.12	38.38	44.10	43.59	54.00	-10.41	AV

Note: "802.11ac20" mode is the worst mode.

The amplitude of spurious emissions that are attenuated by more than 20dB below the permissible value has no need to be reported. Emission level (dBuV/m) = 20 log Emission level (uV/m).

Corrected Reading: Antenna Factor + Cable Loss + Read Level - Preamp Factor = Level.

EUT :	Tablet	Model Name. :	TAB KINGKONG MINI
Temperature :	20 °C	Relative Humidity :	48%
Pressure :	1010 hPa	Test Voltage :	DC 3.87V
Test Mode :	TX (5.8G) - 802.11a_5745~5825MHz		

Polar	Frequency	Meter Reading	Cable loss	Antenna Factor	Preamp Factor	Emission Level	Limits	Margin	Detector Type
(H/V)	(MHz)	(dBuV)	(dB)	dB/m	(dB)	(dBuV/m)	(dBuV/m)	(dB)	
Low Channel (5745 MHz)-Above 1G									
Vertical	5122.51	59.44	5.94	35.40	44.00	56.78	74.00	-17.22	Pk
Vertical	5122.51	39.05	5.94	35.40	44.00	36.39	54.00	-17.61	AV
Vertical	11490.60	59.76	8.46	39.75	44.50	63.47	74.00	-10.53	Pk
Vertical	11490.60	40.52	8.46	39.75	44.50	44.23	54.00	-9.77	AV
Vertical	17235.65	39.08	10.12	38.80	44.10	43.90	68.20	-24.30	Pk
Horizontal	5166.60	59.56	5.94	35.18	44.00	56.68	68.20	-11.52	Pk
Horizontal	11490.47	50.04	8.46	38.71	44.50	52.71	74.00	-21.29	Pk
Horizontal	11490.47	41.00	8.46	38.71	44.50	43.67	54.00	-10.33	AV
Horizontal	17235.47	56.90	10.12	38.38	44.10	61.30	68.20	-6.90	Pk
middle Channel (5785 MHz)-Above 1G									
Vertical	5433.40	60.28	6.48	36.35	44.05	59.06	74.00	-14.94	Pk
Vertical	5433.40	40.36	6.48	36.35	44.05	39.14	54.00	-14.86	AV
Vertical	11570.41	59.28	8.47	37.88	44.51	61.12	74.00	-12.88	Pk
Vertical	11570.41	40.08	8.47	37.88	44.51	41.92	54.00	-12.08	AV
Vertical	17355.84	40.05	10.12	38.80	44.10	44.87	68.20	-23.33	Pk
Horizontal	4866.60	59.44	6.48	36.37	44.05	58.24	74.00	-15.76	Pk
Horizontal	4866.60	39.05	6.48	36.37	44.05	37.85	54.00	-16.15	AV
Horizontal	11570.28	60.72	8.47	38.64	44.50	63.33	74.00	-10.67	Pk
Horizontal	11570.28	39.51	8.47	38.64	44.50	42.12	54.00	-11.88	AV
Horizontal	17355.49	50.92	10.12	38.38	44.10	55.32	68.20	-12.88	Pk
High Channel (5825 MHz)-Above 1G									
Vertical	5244.48	59.18	7.10	37.24	43.50	60.02	68.20	-8.18	Pk
Vertical	11652.42	59.83	8.46	37.68	44.50	61.47	74.00	-12.53	Pk
Vertical	11652.42	40.82	8.46	37.68	44.50	42.46	54.00	-11.54	AV
Vertical	17473.74	50.08	10.12	38.80	44.10	54.90	68.20	-13.30	Pk
Horizontal	5285.29	60.64	7.10	37.24	43.50	61.48	68.20	-6.72	Pk
Horizontal	11652.67	60.84	8.46	38.57	44.50	63.37	74.00	-10.63	Pk
Horizontal	11652.67	40.63	8.46	38.57	44.50	43.16	54.00	-10.84	AV
Horizontal	17474.68	50.81	10.12	38.38	44.10	55.21	68.20	-12.99	Pk

Note: "802.11a" mode is the worst mode.

The amplitude of spurious emissions that are attenuated by more than 20dB below the permissible value has no need to be reported.

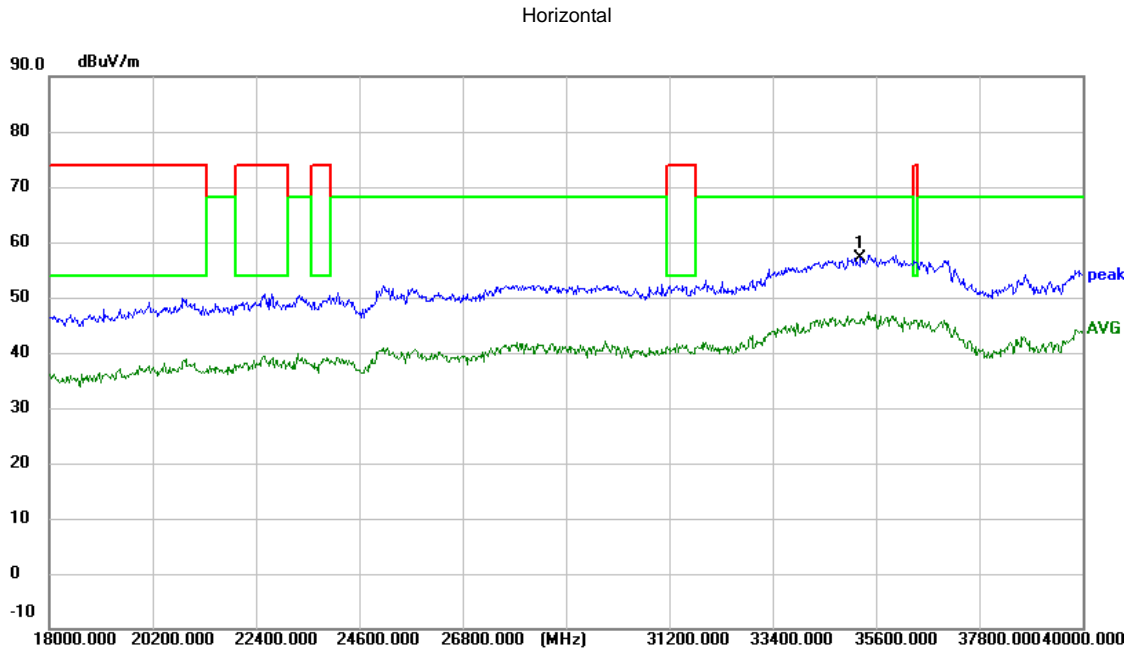
Emission level (dBuV/m) = 20 log Emission level (uV/m).

Corrected Reading: Antenna Factor + Cable Loss + Read Level - Preamp Factor = Level.

3.2.9 TEST RESULTS (18GHz-40GHz)

EUT :	Tablet	Model Name. :	TAB KINGKONG MINI
Temperature :	25.3 °C	Relative Humidity :	52%
Pressure :	1010 hPa	Test Voltage :	DC 3.87V
Test Mode :	TX (5.2G)-802.11ac20 5180MHz~5240MHz, TX (5.8G)-802.11a 5745MHz~5825MHz		

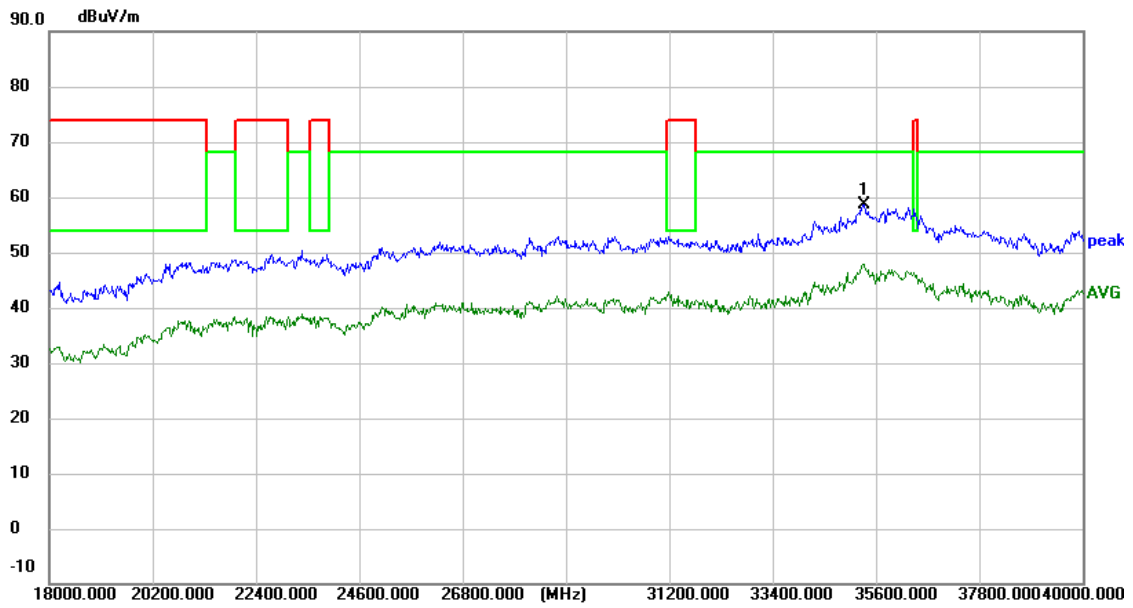
All the modulation modes have been tested, and the worst result was report as below:
Low Channel (5180 MHz)-Above 1G



Measurement Result:

	Frequency (MHz)	Reading (dBuV)	Factor (dB/m)	Level (dBuV/m)	Limit (dBuV/m)	Margin (dB)	Detector
1	35304.467	54.32	2.84	57.16	68.20	-11.04	peak

Vertical

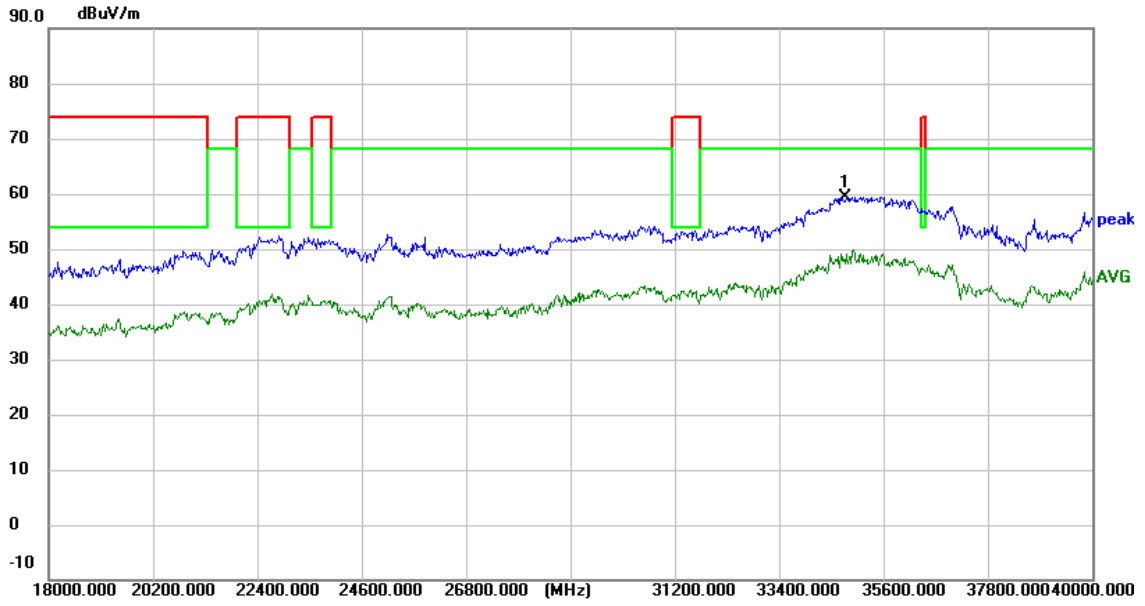


Measurement Result:

	Frequency (MHz)	Reading (dBuV)	Factor (dB/m)	Level (dBuV/m)	Limit (dBuV/m)	Margin (dB)	Detector
1	35379.267	55.95	2.77	58.72	68.20	-9.48	peak

High Channel (5240 MHz)-Above 1G

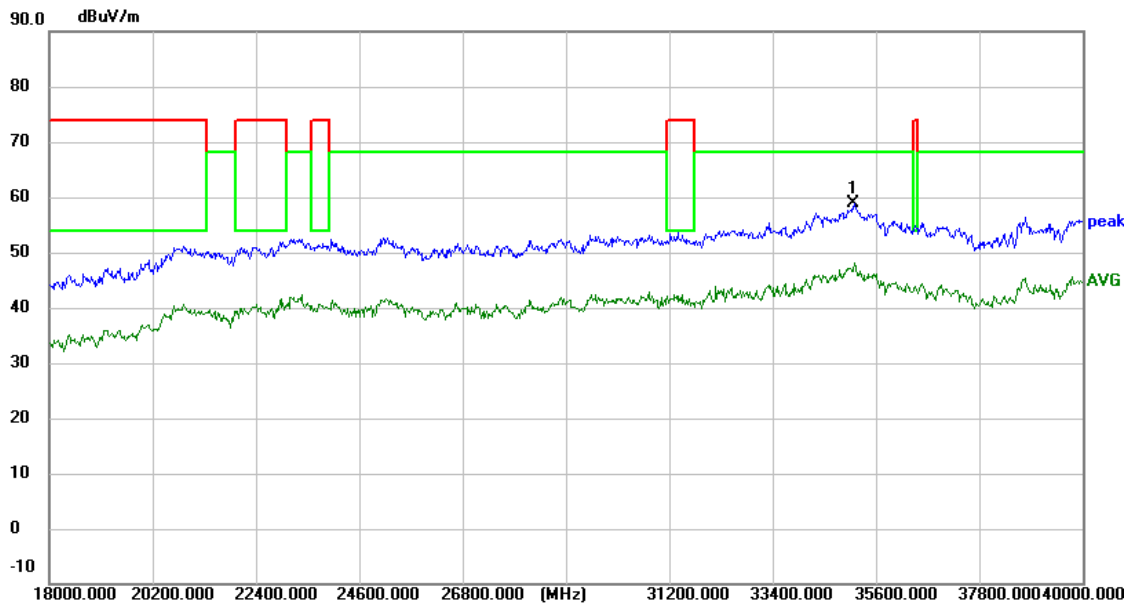
Horizontal



Measurement Result:

	Frequency (MHz)	Reading (dBuV)	Factor (dB/m)	Level (dBuV/m)	Limit (dBuV/m)	Margin (dB)	Detector
1	34844.666	56.16	3.33	59.49	68.20	-8.71	peak

Vertical

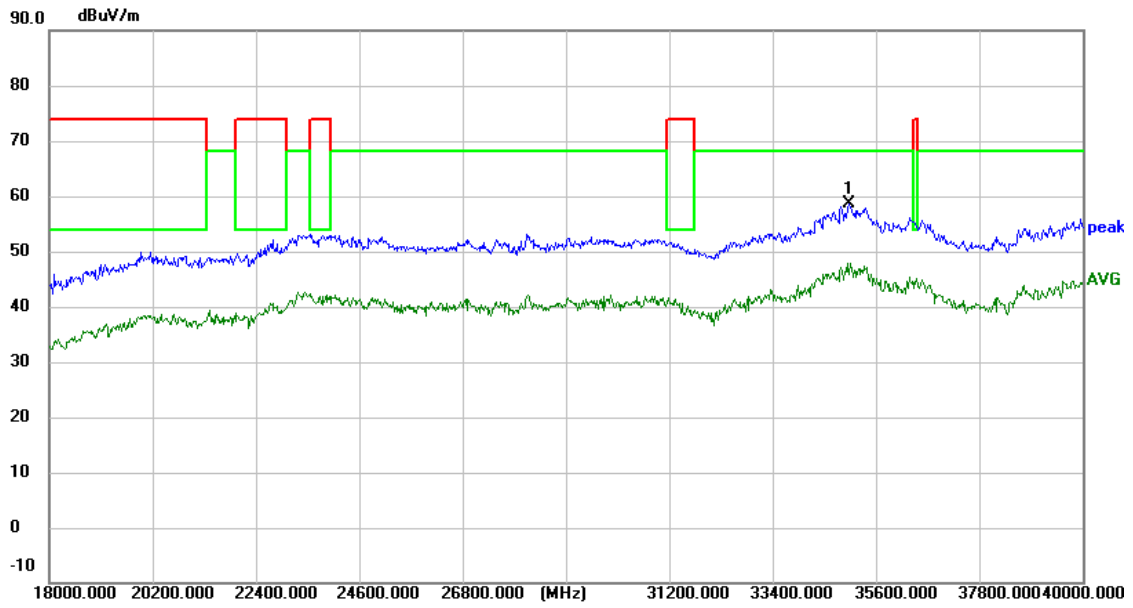


Measurement Result:

	Frequency (MHz)	Reading (dBuV)	Factor (dB/m)	Level (dBuV/m)	Limit (dBuV/m)	Margin (dB)	Detector
1	35158.533	55.77	3.21	58.98	68.20	-9.22	peak

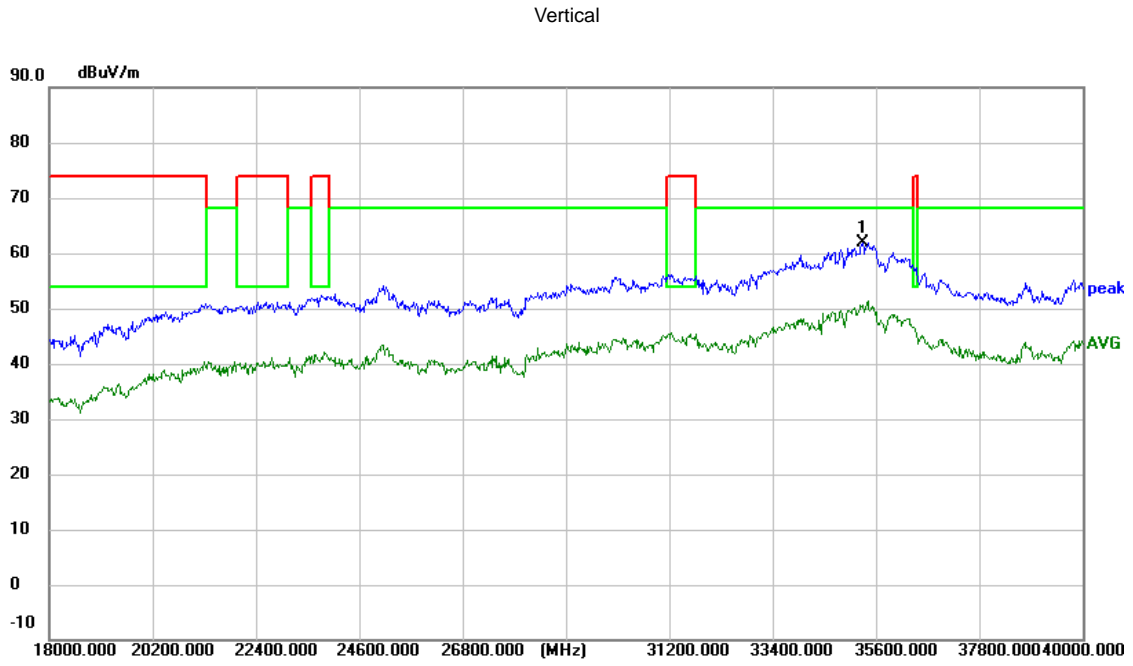
Low Channel (5745 MHz)-Above 1G

Horizontal



Measurement Result:

	Frequency (MHz)	Reading (dBuV)	Factor (dB/m)	Level (dBuV/m)	Limit (dBuV/m)	Margin (dB)	Detector
1	35036.800	54.94	3.66	58.60	68.20	-9.60	peak

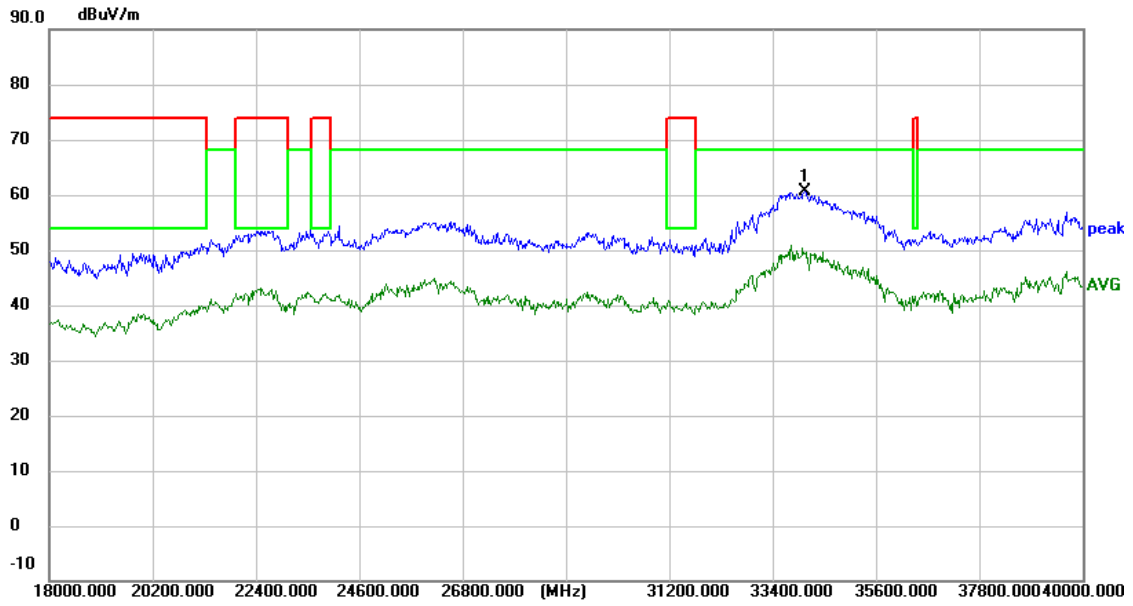


Measurement Result:

	Frequency (MHz)	Reading (dBuV)	Factor (dB/m)	Level (dBuV/m)	Limit (dBuV/m)	Margin (dB)	Detector
1	35322.800	59.09	2.82	61.91	68.20	-6.29	peak

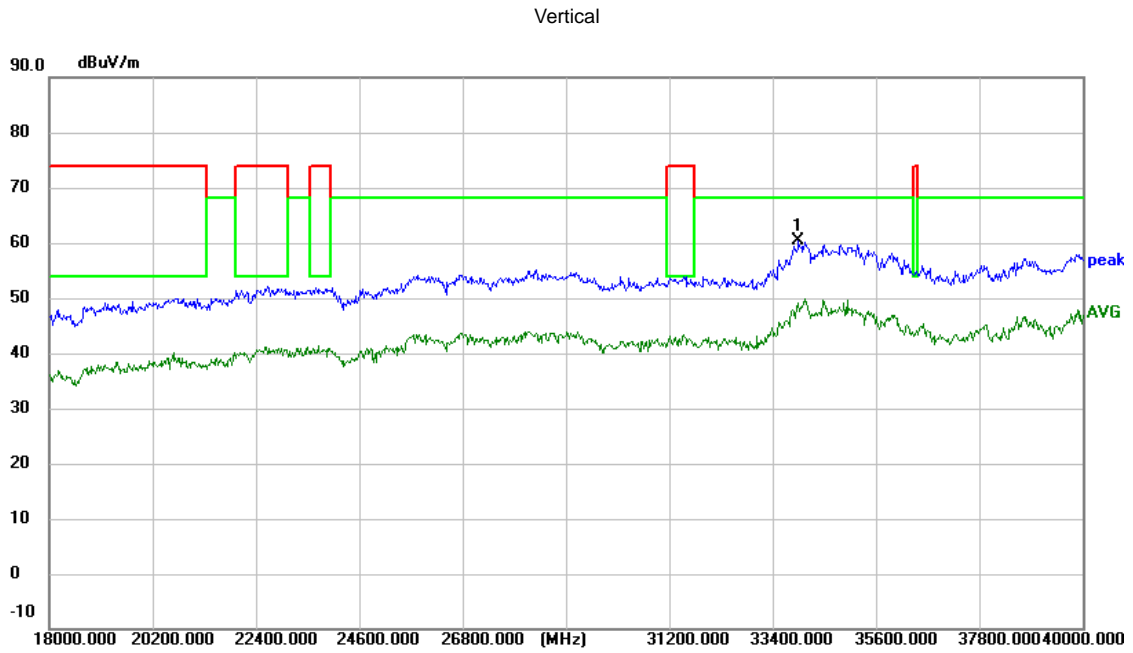
High Channel (5825 MHz)-Above 1G

Horizontal



Measurement Result:

	Frequency (MHz)	Reading (dBuV)	Factor (dB/m)	Level (dBuV/m)	Limit (dBuV/m)	Margin (dB)	Detector
1	34115.000	59.45	1.06	60.51	68.20	-7.69	peak



Measurement Result:

	Frequency (MHz)	Reading (dBuV)	Factor (dB/m)	Level (dBuV/m)	Limit (dBuV/m)	Margin (dB)	Detector
1	33975.666	59.67	0.64	60.31	68.20	-7.89	peak

3.2.10 Spurious Emission in Restricted Band 4.5GHz~5.150 GHz& 5.350GHz~5460GHz

EUT :	Tablet	Model Name. :	TAB KINGKONG MINI
Temperature :	20 °C	Relative Humidity :	48%
Pressure :	1010 hPa	Test Voltage :	DC 3.87V
Test Mode :	TX (5.2G)-802.11ac20 5150MHz~5250MHz,		

All the modulation modes have been tested, The report just record the worst data mode.

Frequency	Meter Reading	Cable Loss	Antenna Factor	Preamp Factor	Emission Level	Limits	Margin	Detector	Comment
(MHz)	(dBμV)	(dB)	dB/m	(dB)	(dBμV/m)	(dBμV/m)	(dB)	Type	
Low Channel (5180 MHz)									
4500	71.29	3.615	32.6	43.25	64.25	74	-9.75	Pk	Horizontal
4500	45.50	3.615	32.6	43.25	38.47	54	-15.53	AV	Horizontal
4500	71.54	3.615	32.6	43.25	64.51	74	-9.49	Pk	Vertical
4500	41.79	3.615	32.6	43.25	34.75	54	-19.25	AV	Vertical
5150	70.71	3.911	34.6	43.27	65.95	74	-8.05	Pk	Horizontal
5150	42.02	3.911	34.6	43.27	37.26	54	-16.74	AV	Horizontal
5150	70.69	3.911	34.6	43.27	65.93	74	-8.07	Pk	Vertical
5150	51.65	3.911	34.6	43.27	46.89	54	-7.11	AV	Vertical
High Channel (5240 MHz)									
5350	72.29	3.939	33.7	43.23	66.69	74	-7.31	Pk	Vertical
5350	41.40	3.939	33.7	43.23	35.81	54	-18.19	AV	Vertical
5350	71.93	3.939	33.7	43.23	66.34	74	-7.66	Pk	Horizontal
5350	46.33	3.939	33.7	43.23	40.74	54	-13.26	AV	Horizontal

Note: (1) Emission Level= Antenna Factor + Cable Loss + Read Level - Preamp Factor

(2) "802.11ac20 " mode is the worst mode. When PK value is lower than the Average value limit, average don't record.

3.3 POWER SPECTRAL DENSITY TEST

3.3.1 Applied procedures / limit

According to FCC §15.407(a)(3)

For the band 5.15-5.25 GHz,

(i) For an outdoor access point operating in the band 5.15-5.25 GHz, the maximum power spectral density shall not exceed 17 dBm in any 1 megahertz band. If transmitting antennas of directional gain greater than 6 dBi are used, both the maximum conducted output power and the maximum power spectral density shall be reduced by the amount in dB that the directional gain of the antenna exceeds 6 dBi. The maximum e.i.r.p. at any elevation angle above 30 degrees as measured from the horizon must not exceed 125 mW (21 dBm).

(ii) For an indoor access point operating in the band 5.15-5.25 GHz, the maximum power spectral density shall not exceed 17 dBm in any 1 megahertz band. If transmitting antennas of directional gain greater than 6 dBi are used, both the maximum conducted output power and the maximum power spectral density shall be reduced by the amount in dB that the directional gain of the antenna exceeds 6 dBi.

(iii) For fixed point-to-point access points operating in the band 5.15-5.25 GHz, the maximum power spectral density shall not exceed 17 dBm in any 1 megahertz band. Fixed point-to-point U-NII devices may employ antennas with directional gain up to 23 dBi without any corresponding reduction in the maximum conducted output power or maximum power spectral density. For fixed point-to-point transmitters that employ a directional antenna gain greater than 23 dBi, a 1 dB reduction in maximum conducted output power and maximum power spectral density is required for each 1 dB of antenna gain in excess of 23 dBi. Fixed, point-to-point operations exclude the use of point-to-multipoint systems, omnidirectional applications, and multiple collocated transmitters transmitting the same information. The operator of the U-NII device, or if the equipment is professionally installed, the installer, is responsible for ensuring that systems employing high gain directional antennas are used exclusively for fixed, point-to-point operations.

(iv) For client devices in the 5.15-5.25 GHz band, the maximum power spectral density shall not exceed 11 dBm in any 1 megahertz band. If transmitting antennas of directional gain greater than 6 dBi are used, both the maximum conducted output power and the maximum power spectral density shall be reduced by the amount in dB that the directional gain of the antenna exceeds 6 dBi.

For the band 5.725-5.85 GHz

(3) For the band 5.725-5.85 GHz, the maximum power spectral density shall not exceed 30 dBm in any 500-kHz band. If transmitting antennas of directional gain greater than 6 dBi are used, both the maximum conducted output power and the maximum power spectral density shall be reduced by the amount in dB that the directional gain of the antenna exceeds 6 dBi.

,

3.3.2 TEST PROCEDURE

For devices operating in the bands 5.15-5.25 GHz, 5.25-5.35 GHz, and 5.47-5.725 GHz, the above procedures make use of 1 MHz RBW to satisfy directly the 1 MHz reference bandwidth specified in § 15.407(a)(5). For devices operating in the band 5.725-5.85 GHz, the rules specify a measurement bandwidth of 500 kHz. Many spectrum analyzers do not have 500 kHz RBW, thus a narrower RBW may need to be used. The rules permit the use of a RBWs less than 1 MHz, or 500 kHz, “provided that the measured power is integrated over the full reference bandwidth” to show the total power over the specified measurement bandwidth (i.e., 1 MHz, or 500 kHz). If measurements are performed using a reduced resolution bandwidth (< 1 MHz, or < 500 kHz) and integrated over 1 MHz, or 500 KHz bandwidth, the following adjustments to the procedures apply:

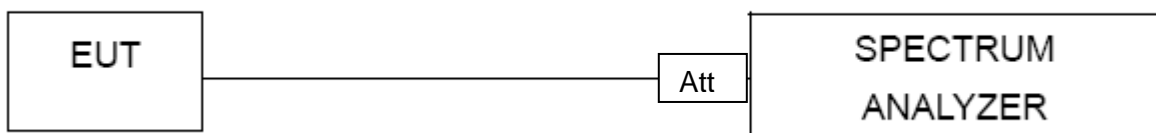
- a) Set $RBW \geq 1/T$, where T is defined in section II.B.I.a).
- b) Set $VBW \geq 3 RBW$.
- c) If measurement bandwidth of Maximum PSD is specified in 500 kHz, add $10\log(500\text{kHz}/RBW)$ to the measured result, whereas $RBW (< 500 \text{ KHz})$ is the reduced resolution bandwidth of the spectrum analyzer set during measurement.
- d) If measurement bandwidth of Maximum PSD is specified in 1 MHz, add $10\log(1\text{MHz}/RBW)$ to the measured result, whereas $RBW (< 1 \text{ MHz})$ is the reduced resolution bandwidth of spectrum analyzer set during measurement.
- e) Care must be taken to ensure that the measurements are performed during a period of continuous transmission or are corrected upward for duty cycle.

Note: As a practical matter, it is recommended to use reduced RBW of 100 KHz for the sections 5.c) and 5.d) above, since $RBW=100 \text{ KHz}$ is available on nearly all spectrum analyzers.

3.3.3 DEVIATION FROM STANDARD

No deviation.

3.3.4 TEST SETUP



3.3.5 EUT OPERATION CONDITIONS

The EUT tested system was configured as the statements of 2.1 Unless otherwise a special operating condition is specified in the follows during the testing.

3.3.6 TEST RESULTS

EUT :	Tablet	Model Name. :	TAB KINGKONG MINI
Temperature :	25 °C	Relative Humidity :	56%
Pressure :	1015 hPa	Test Voltage :	DC 3.87V
Test Mode :	TX Frequency Band I (5150-5250MHz), Band IV (5725-5850MHz)		

Test data reference attachment.

3.4 26DB & 99% EMISSION BANDWIDTH

3.4.1 Applied procedures / limit

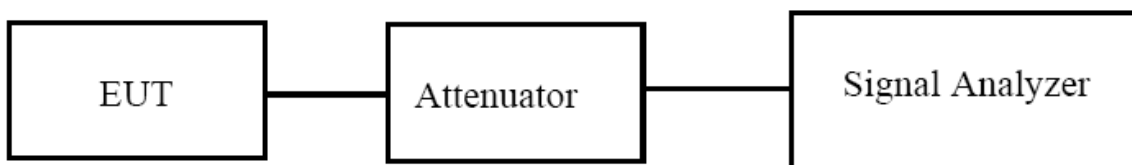
The maximum power spectral density is measured as a conducted emission by direct connection of a calibrated test instrument to the equipment under test. If the device cannot be connected directly, alternative techniques acceptable to the Commission may be used. Measurements in the 5.725-5.85 GHz band are made over a reference bandwidth of 500 kHz or the 26 dB emission bandwidth of the device, whichever is less. Measurements in the 5.15-5.25 GHz, 5.25-5.35 GHz, and the 5.47-5.725 GHz bands are made over a bandwidth of 1 MHz or the 26 dB emission bandwidth of the device, whichever is less. A narrower resolution bandwidth can be used, provided that the measured power is integrated over the full reference bandwidth.

3.4.2 TEST PROCEDURE

- a) Set RBW = approximately 1% of the emission bandwidth.
- b) Set the VBW > RBW.
- c) Detector = Peak.
- d) Trace mode = max hold.
- e) Measure the maximum width of the emission that is 26 dB down from the maximum of the emission. Compare this with the RBW setting of the analyzer. Readjust RBW and repeat measurement as needed until the RBW/EBW ratio is approximately 1%.

The following procedure shall be used for measuring (99 %) power bandwidth:

1. Set center frequency to the nominal EUT channel center frequency.
2. Set span = 1.5 times to 5.0 times the OBW.
3. Set RBW = 1 % to 5 % of the OBW
4. Set VBW $\geq 3 \cdot$ RBW
5. Video averaging is not permitted. Where practical, a sample detection and single sweep mode shall be used. Otherwise, peak detection and max hold mode (until the trace stabilizes) shall be used.
6. Use the 99 % power bandwidth function of the instrument (if available).
7. If the instrument does not have a 99 % power bandwidth function, the trace data points are recovered and directly summed in power units. The recovered amplitude data points, beginning at the lowest frequency, are placed in a running sum until 0.5 % of the total is reached; that frequency is recorded as the lower frequency. The process is repeated until 99.5 % of the total is reached; that frequency is recorded as the upper frequency. The 99% occupied bandwidth is the difference between these two frequencies.



3.4.3 EUT OPERATION CONDITIONS

The EUT tested system was configured as the statements of 2.4 Unless otherwise a special operating condition is specified in the follows during the testing.

3.4.4 TEST RESULTS

EUT :	Tablet	Model Name. :	TAB KINGKONG MINI
Temperature :	25 °C	Relative Humidity :	56%
Pressure :	1012 hPa	Test Voltage :	DC 3.87V
Test Mode :	TX Frequency Band I (5150-5250MHz), Band IV (5725-5850MHz)		

Test data reference attachment.

3.5 MINIMUM 6 DB BANDWIDTH

3.5.1 Applied procedures / limit

According to FCC §15.407(e)

(e) Within the 5.725-5.85 GHz band, the minimum 6 dB bandwidth of U-NII devices shall be at least 500 kHz.

3.5.2 TEST PROCEDURE

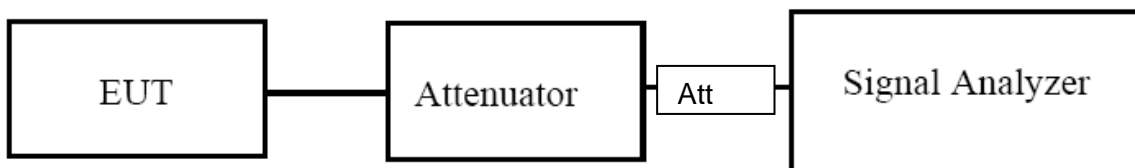
Section 15.407(e) specifies the minimum 6 dB emission bandwidth of at least 500 KHz for the band 5.715-5.85 GHz. The following procedure shall be used for measuring this bandwidth:

- a) Set RBW = 100 kHz.
- b) Set the video bandwidth (VBW) $\geq 3 \times$ RBW.
- c) Detector = Peak.
- d) Trace mode = max hold.
- e) Sweep = auto couple.
- f) Allow the trace to stabilize.
- g) Measure the maximum width of the emission that is constrained by the frequencies associated with the two outermost amplitude points (upper and lower frequencies) that are attenuated by 6 dB relative to the maximum level measured in the fundamental emission.

3.5.3 DEVIATION FROM STANDARD

No deviation.

3.5.4 TEST SETUP



3.5.5 EUT OPERATION CONDITIONS

The EUT tested system was configured as the statements of 2.4 Unless otherwise a special operating condition is specified in the follows during the testing.

3.5.6 TEST RESULTS

EUT :	Tablet	Model Name. :	TAB KINGKONG MINI
Temperature :	25 °C	Relative Humidity :	60%
Pressure :	1012 hPa	Test Voltage :	DC 3.87V
Test Mode :	TX (5G) Mode Frequency Band IV (5725-5850MHz)		

Test data reference attachment.

3.6 MAXIMUM CONDUCTED OUTPUT POWER

3.6.1 PPLIED PROCEDURES / LIMIT

According to FCC §15.407

The maximum conducted output power should not exceed:

Frequency Band(MHz)	Limit
5150~5250	250mW
5725~5850	1W

3.6.2 TEST PROCEDURE

· Maximum conducted output power may be measured using a spectrum analyzer/EMI receiver or an RF power meter.

1. Device Configuration

If possible, configure or modify the operation of the EUT so that it transmits continuously at its maximum power control level (see section II.B.).

a) The intent is to test at 100 percent duty cycle; however a small reduction in duty cycle (to no lower than 98 percent) is permitted if required by the EUT for amplitude control purposes. Manufacturers are expected to provide software to the test lab to permit such continuous operation.

b) If continuous transmission (or at least 98 percent duty cycle) cannot be achieved due to hardware limitations (e.g., overheating), the EUT shall be operated at its maximum power control level with the transmit duration as long as possible and the duty cycle as high as possible.

2. Measurement using a Spectrum Analyzer or EMI Receiver (SA)

Measurement of maximum conducted output power using a spectrum analyzer requires integrating the spectrum across a frequency span that encompasses, at a minimum, either the EBW or the 99-percent occupied bandwidth of the signal.¹ However, the EBW must be used to determine bandwidth dependent limits on maximum conducted output power in accordance with § 15.407(a).

a) The test method shall be selected as follows: (i) Method SA-1 or SA-1 Alternative (averaging with the EUT transmitting at full power throughout each sweep) shall be applied if either of the following conditions can be satisfied:

- The EUT transmits continuously (or with a duty cycle ≥ 98 percent).
- Sweep triggering or gating can be implemented in a way that the device transmits at the maximum power control level throughout the duration of each of the instrument sweeps to be averaged. This condition can generally be achieved by triggering the instrument's sweep if the duration of the sweep (with the analyzer configured as in Method SA-1, below) is equal to or shorter than the duration T of each transmission from the EUT and if those transmissions exhibit full power throughout their durations.

(ii) Method SA-2 or SA-2 Alternative (averaging across on and off times of the EUT transmissions, followed by duty cycle correction) shall be applied if the conditions of (i) cannot be achieved and the transmissions exhibit a constant duty cycle during the measurement duration. Duty cycle will be considered to be constant if variations are less than ± 2 percent.

(iii) Method SA-3 (RMS detection with max hold) or SA-3 Alternative (reduced VBW with max hold) shall be applied if the conditions of (i) and (ii) cannot be achieved.

b) Method SA-1 (trace averaging with the EUT transmitting at full power throughout each sweep): (i) Set span to encompass the entire emission bandwidth (EBW) (or, alternatively, the entire 99% occupied bandwidth) of the signal.

(ii) Set RBW = 1 MHz.

(iii) Set VBW ≥ 3 MHz.

(iv) Number of points in sweep ≥ 2 Span / RBW. (This ensures that bin-to-bin spacing is \leq RBW/2, so that narrowband signals are not lost between frequency bins.)

(v) Sweep time = auto.

(vi) Detector = RMS (i.e., power averaging), if available. Otherwise, use sample detector mode.

(vii) If transmit duty cycle < 98 percent, use a video trigger with the trigger level set to enable triggering only on full power pulses. Transmitter must operate at maximum power control level for the entire duration of every sweep. If the EUT transmits continuously (i.e., with no off intervals) or at duty cycle ≥ 98 percent, and if each transmission is entirely at the maximum power control level, then the trigger shall be set to "free run".

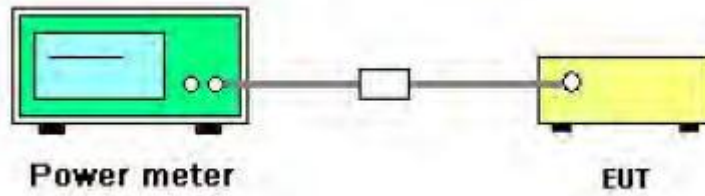
(viii) Trace average at least 100 traces in power averaging (i.e., RMS) mode.

(ix) Compute power by integrating the spectrum across the EBW (or, alternatively, the entire 99% occupied bandwidth) of the signal using the instrument's band power measurement function with band limits set equal to the EBW (or occupied bandwidth) band edges. If the instrument does not have a band power function, sum the spectrum

3.6.3 DEVIATION FROM STANDARD

No deviation.

3.6.4 TEST SETUP



3.6.5 EUT OPERATION CONDITIONS

The EUT tested system was configured as the statements of 2.4 Unless otherwise a special operating condition is specified in the follows during the testing.

3.6.6 TEST RESULTS

EUT :	Tablet	Model Name. :	TAB KINGKONG MINI
Temperature :	25 °C	Relative Humidity :	60%
Pressure :	1012 hPa	Test Voltage :	DC 3.87V
Test Mode :	TX (5G) Mode Frequency Band I (5150-5250MHz), Band IV (5725-5850MHz)		

Test data reference attachment.

3.7 OUT OF BAND EMISSIONS

3.7.1 Applicable Standard

According to FCC §15.407(b)

Undesirable emission limits. Except as shown in paragraph (b)(7) of this section, the maximum emissions outside of the frequency bands of operation shall be attenuated in accordance with the following limits:

(1) For transmitters operating in the 5.15-5.25 GHz band: All emissions outside of the 5.15-5.35 GHz band shall not exceed an e.i.r.p. of -27 dBm/MHz.

(2) For transmitters operating in the 5.725-5.85 GHz band: All emissions shall be limited to a level of -27 dBm/MHz at 75 MHz or more above or below the band edge increasing linearly to 10 dBm/MHz at 25 MHz above or below the band edge, and from 25 MHz above or below the band edge increasing linearly to a level of 15.6 dBm/MHz at 5 MHz above or below the band edge, and from 5 MHz above or below the band edge increasing linearly to a level of 27 dBm/MHz at the band edge.

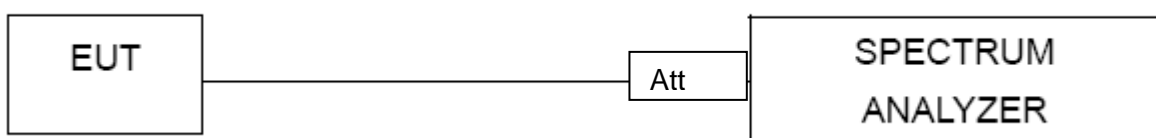
3.7.2 Test Procedure

1. Check the calibration of the measuring instrument using either an internal calibrator or a known signal from an external generator.
2. Position the EUT without connection to measurement instrument. Turn on the EUT and connect its antenna terminal to measurement instrument via a low loss cable. Then set it to any one measured frequency within its operating range, and make sure the instrument is operated in its linear range.
3. Set RBW of spectrum analyzer to 1 MHz with a convenient frequency span.
4. Measure the highest amplitude appearing on spectral display and set it as a reference level. Plot the graph with marking the highest point and edge frequency.
5. Repeat above procedures until all measured frequencies were complete.

3.7.3 DEVIATION FROM STANDARD

No deviation.

3.7.4 TEST SETUP



3.7.5 EUT OPERATION CONDITIONS

The EUT tested system was configured as the statements of 2.4 Unless otherwise a special operating condition is specified in the follows during the testing.

3.7.6 TEST RESULTS

EUT :	Tablet	Model Name. :	TAB KINGKONG MINI
Temperature :	25 °C	Relative Humidity :	56%
Pressure :	1012 hPa	Test Voltage :	DC 3.87V

Test data reference attachment.

3.8 SPURIOUS RF CONDUCTED EMISSIONS

3.8.1 Conformance Limit

According to FCC §15.407(b)(1) (2) (3) (4)

3.8.2 Measuring Instruments

The Measuring equipment is listed in the section 6.3 of this test report.

3.8.3 Test Setup

Please refer to Section 6.1 of this test report.

3.8.4 Test Procedure

The Spurious RF conducted emissions compliance of RF radiated emission should be measured by following the guidance in ANSI C63.10-2013 with respect to maximizing the emission by rotating the EUT, measuring the emission while the EUT is situated in three orthogonal planes (if appropriate), adjusting the measurement antenna height and polarization etc. Set RBW=100kHz and VBW= 300KHz to measure the peak field strength , and measure frequency range from 30MHz to 40GHz.

3.8.5 Test Results

Remark: The measurement frequency range is from 30MHz to the 10th harmonic of the fundamental frequency. The lowest, middle and highest channels are tested to verify the spurious emissions and bandedge measurement data.

Test data reference attachment.

3.9 FREQUENCY STABILITY MEASUREMENT

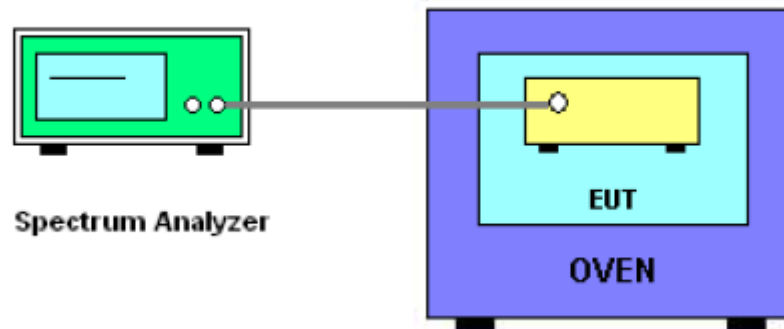
3.9.1 LIMIT

Manufactures of U-NII devices are responsible for ensuring frequency stability such that an emission is maintained within the band of operation under all conditions of normal operation as specified in the user's manual.

3.9.2 TEST PROCEDURES

1. The transmitter output (antenna port) was connected to the spectrum analyzer.
2. EUT have transmitted absence of modulation signal and fixed channelize.
3. Set the spectrum analyzer span to view the entire absence of modulation emissions bandwidth.
4. Set RBW = 10 kHz, VBW = 10 kHz with peak detector and maxhold settings.
5. f_c is declaring of channel frequency. Then the frequency error formula is $(f_c - f) / f_c \times 10^6 \text{ ppm}$.
6. The test extreme voltage is to change the primary supply voltage from 85 to 115 percent of the nominal value
7. Extreme temperature is $-20^\circ\text{C} \sim 70^\circ\text{C}$.

3.9.3 TEST SETUP LAYOUT



3.9.4 EUT OPERATION DURING TEST

The EUT was programmed to be in continuously un-modulation transmitting mode.

3.9.5 TEST RESULTS

EUT :	Tablet	Model Name. :	TAB KINGKONG MINI
Temperature :	25 °C	Relative Humidity :	56%
Pressure :	1012 hPa	Test Voltage :	DC 3.87V
Test Mode :	TX Frequency Band I (5150-5250MHz)		

Voltage vs. Frequency Stability

TEST CONDITIONS				Reference Frequency: 5180MHz			
				f	fc	Max. Deviation (MHz)	Max. Deviation (ppm)
T nom (°C)	20	V nom (V)	3.87	5180.0072	5180	0.0072	1.3883
		V max (V)	4.45	5180.0043	5180	0.0043	0.8217
		V min (V)	3.29	5180.0008	5180	0.0008	0.1550
Limits				Within 5150-5250MHz			
Result				Complies			

Temperature vs. Frequency Stability

TEST CONDITIONS				Reference Frequency: 5180MHz			
				f	fc	Max. Deviation (MHz)	Max. Deviation (ppm)
V nom (V)	3.87	T (°C)	-20	5180.0072	5180	0.0072	1.3920
		T (°C)	-10	5180.0079	5180	0.0079	1.5345
		T (°C)	0	5180.0072	5180	0.0072	1.3934
		T (°C)	10	5180.0082	5180	0.0082	1.5810
		T (°C)	20	5180.0014	5180	0.0014	0.2640
		T (°C)	30	5180.0004	5180	0.0004	0.0683
		T (°C)	40	5180.0073	5180	0.0073	1.4046
		T (°C)	50	5180.0068	5180	0.0068	1.3071
		T (°C)	60	5180.0086	5180	0.0086	1.6652
		T (°C)	70	5180.0012	5180	0.0012	0.2408
Limits				Within 5150-5250MHz			
Result				Complies			

Voltage vs. Frequency Stability

TEST CONDITIONS				Reference Frequency: 5200MHz			
				f	fc	Max. Deviation (MHz)	Max. Deviation (ppm)
T nom (°C)	20	V nom (V)	3.87	5200.0069	5200	0.0069	1.3211
		V max (V)	4.45	5200.0081	5200	0.0081	1.5553
		V min (V)	3.29	5200.0054	5200	0.0054	1.0432
Limits				Within 5150-5250MHz			
Result				Complies			

Temperature vs. Frequency Stability

TEST CONDITIONS				Reference Frequency: 5200MHz			
				f	fc	Max. Deviation (MHz)	Max. Deviation (ppm)
V nom (V)	3.87	T (°C)	-20	5200.0075	5200	0.0075	1.4328
		T (°C)	-10	5200.0084	5200	0.0084	1.6208
		T (°C)	0	5200.0021	5200	0.0021	0.3985
		T (°C)	10	5200.0028	5200	0.0028	0.5477
		T (°C)	20	5200.0067	5200	0.0067	1.2948
		T (°C)	30	5200.0033	5200	0.0033	0.6420
		T (°C)	40	5200.0065	5200	0.0065	1.2488
		T (°C)	50	5200.0075	5200	0.0075	1.4434
		T (°C)	60	5200.0076	5200	0.0076	1.4694
		T (°C)	70	5200.0070	5200	0.0070	1.3455
Limits				Within 5150-5250MHz			
Result				Complies			

Voltage vs. Frequency Stability

TEST CONDITIONS				Reference Frequency: 5240MHz			
				f	fc	Max. Deviation (MHz)	Max. Deviation (ppm)
T nom (°C)	20	V nom (V)	3.87	5240.0081	5240	0.0081	1.5419
		V max (V)	4.45	5240.0034	5240	0.0034	0.6510
		V min (V)	3.29	5240.0052	5240	0.0052	0.9873
Limits				Within 5150-5250MHz			
Result				Complies			

Temperature vs. Frequency Stability

TEST CONDITIONS				Reference Frequency: 5240MHz			
				f	fc	Max. Deviation (MHz)	Max. Deviation (ppm)
V nom (V)	3.87	T (°C)	-20	5240.0034	5240	0.0034	0.6544
		T (°C)	-10	5240.0008	5240	0.0008	0.1452
		T (°C)	0	5240.0094	5240	0.0094	1.7866
		T (°C)	10	5240.0025	5240	0.0025	0.4831
		T (°C)	20	5240.0021	5240	0.0021	0.3933
		T (°C)	30	5240.0058	5240	0.0058	1.1124
		T (°C)	40	5240.0090	5240	0.0090	1.7132
		T (°C)	50	5240.0060	5240	0.0060	1.1512
		T (°C)	60	5240.0044	5240	0.0044	0.8451
		T (°C)	70	5240.0001	5240	0.0001	0.0243
Limits				Within 5150-5250MHz			
Result				Complies			

EUT :	Tablet	Model Name. :	TAB KINGKONG MINI
Temperature :	25 °C	Relative Humidity :	56%
Pressure :	1012 hPa	Test Voltage :	DC 3.87V
Test Mode :	TX Frequency(5745-5825MHz)		

Voltage vs. Frequency Stability

TEST CONDITIONS				Reference Frequency: 5745MHz			
				f	fc	Max. Deviation (MHz)	Max. Deviation (ppm)
T nom (°C)	20	V nom (V)	3.87	5745.0053	5745	0.00528	0.9199
		V max (V)	4.45	5745.0050	5745	0.00497	0.8652
		V min (V)	3.29	5745.0100	5745	0.00998	1.7380
Limits				Within 5745-5850MHz			
Result				Complies			

Temperature vs. Frequency Stability

TEST CONDITIONS				Reference Frequency: 5745MHz			
				f	fc	Max. Deviation (MHz)	Max. Deviation (ppm)
V nom (V)	3.87	T (°C)	-20	5745.0072	5745	0.00722	1.2569
		T (°C)	-10	5745.0025	5745	0.00253	0.4403
		T (°C)	0	5745.0016	5745	0.00159	0.2762
		T (°C)	10	5745.0031	5745	0.00311	0.5416
		T (°C)	20	5745.0096	5745	0.00958	1.6673
		T (°C)	30	5745.0000	5745	0.00004	0.0071
		T (°C)	40	5745.0056	5745	0.00563	0.9805
		T (°C)	50	5745.0093	5745	0.00926	1.6118
		T (°C)	60	5745.0006	5745	0.00061	0.1059
		T (°C)	70	5745.0012	5745	0.00123	0.2136
Limits				Within 5745-5850MHz			
Result				Complies			

Voltage vs. Frequency Stability

TEST CONDITIONS				Reference Frequency: 5785MHz			
				f	fc	Max. Deviation (MHz)	Max. Deviation (ppm)
T nom (°C)	20	V nom (V)	3.87	5785.0014	5785	0.00143	0.2469
		V max (V)	4.45	5785.0045	5785	0.00455	0.7861
		V min (V)	3.29	5785.0096	5785	0.00959	1.6570
Limits				Within 5745-5850MHz			
Result				Complies			

Temperature vs. Frequency Stability

TEST CONDITIONS				Reference Frequency: 5785MHz			
				f	fc	Max. Deviation (MHz)	Max. Deviation (ppm)
V nom (V)	3.87	T (°C)	-20	5785.0076	5785	0.00756	1.3060
		T (°C)	-10	5785.0015	5785	0.00152	0.2627
		T (°C)	0	5785.0027	5785	0.00270	0.4675
		T (°C)	10	5785.0068	5785	0.00681	1.1771
		T (°C)	20	5785.0023	5785	0.00233	0.4028
		T (°C)	30	5785.0002	5785	0.00024	0.0418
		T (°C)	40	5785.0043	5785	0.00435	0.7513
		T (°C)	50	5785.0004	5785	0.00044	0.0765
		T (°C)	60	5785.0067	5785	0.00671	1.1592
		T (°C)	70	5785.0060	5785	0.00603	1.0431
Limits				Within 5745-5850MHz			
Result				Complies			

Voltage vs. Frequency Stability

TEST CONDITIONS				Reference Frequency: 5825MHz			
				f	fc	Max. Deviation (MHz)	Max. Deviation (ppm)
T nom (°C)	20	V nom (V)	3.87	5825.0061	5825	0.00609	1.0458
		V max (V)	4.45	5825.0040	5825	0.00403	0.6924
		V min (V)	3.29	5825.0055	5825	0.00549	0.9427
Limits				Within 5745-5850MHz			
Result				Complies			

Temperature vs. Frequency Stability

TEST CONDITIONS				Reference Frequency: 5825MHz			
				f	fc	Max. Deviation (MHz)	Max. Deviation (ppm)
V nom (V)	3.87	T (°C)	-20	5825.0063	5825	0.00629	1.0790
		T (°C)	-10	5825.0077	5825	0.00766	1.3144
		T (°C)	0	5825.0010	5825	0.00098	0.1682
		T (°C)	10	5825.0029	5825	0.00293	0.5030
		T (°C)	20	5825.0071	5825	0.00706	1.2119
		T (°C)	30	5825.0044	5825	0.00438	0.7522
		T (°C)	40	5825.0043	5825	0.00431	0.7398
		T (°C)	50	5825.0077	5825	0.00775	1.3296
		T (°C)	60	5825.0010	5825	0.00097	0.1661
		T (°C)	70	5825.0060	5825	0.00604	1.0364
Limits				Within 5745-5850MHz			
Result				Complies			

4. ANTENNA REQUIREMENT

4.1 STANDARD REQUIREMENT

15.203 requirement: For intentional device, according to 15.203: an intentional radiator shall be designed to ensure that no antenna other than that furnished by the responsible party shall be used with the device.

4.2 EUT ANTENNA

The EUT antenna is permanent attached FPC antenna (antenna gain: 5.2G: 2.1dBi; 5.8G: 2.1dBi). It comply with the standard requirement.

END OF REPORT