

Precautions



Safety Warning

- Please insert the AC plug into the AC outlet according to the identifying input on the power adapter;
- It is prohibited to use the device in any places with potential explosive gases;
- Nonprofessionals shall not open the power adapter anyhow so as to avoid dangers;
- The device is a Grade A product. In living environment, the product may cause radio interference. Therefore, users may be required to take practical measures against the interference.
- Battery replacement:
 1. Wrong type battery replacement may bring explosive risks!
 2. Replaced battery shall be handed over to maintenance personnel for disposal. Do not put it into fire!

Important Safety Instructions

- Avoid installing or using during thunder and lightning, otherwise lightning stroke may occur;
- Cut off the power immediately if there is abnormal smell, overheating or smog;
- Do not touch the sharp paper cutting tool!

Recommendation

- Do not use the device near water or in humid environment. Keep liquid from falling onto the terminal;
- Do not use the device in extremely cold and hot environment, e.g. around fire or lighted cigarettes;
- Do not smash, throw or bend the device;
- Use the device in clean and dustfree environment as much as possible and keep small items from falling into the terminal;
- Do not use it near medical devices unless permitted.

Statement

The company is not responsible for the following behaviors:

- Damages caused by using and maintaining the device without following the User Guide;
- Damages or problems caused by selection of objects or Consumables (products which are not the initial ones provided or recognized by the company).

In this case, the company will not undertake any responsibility. No one is entitled to modify or change the product unless permitted by the company.

Disclaimer

Discrepancies between the product and the file concerning details may raise due to product updates. Please be subject to the material object. The company reserves the right to interpret the file and the right to revise this manual without prior notices.

Product technical index

Configuration	Main specifications
O/S	Android 5.1
CPU Frequency	1.3GHZ Quad Core
RAM	512MB DDR2
FLASH	4GB Nand Flash
LCD Screen	5.5"IPS,qHD 960*540
Touch screen	Capacity Dual-point Touch screen
Camera	200W FF Macro
Speaker	Single Track 1W,Volume Up to 90 DB(Adjustable)
Microphone	1xMIC,Acoustic Wave Payment Supported
3G	GSM850/900/1800/1900, WCDMA850/900/1900/2100
WIFI	WIFI 802.11b/g/n (2.4G)
Bluebooth	bluetooth3.0/4.0, IBEACON supported
Button	1xpower button , 1xscan button
Interface	1xMicro USB Debug Port, 1xSIM card slot, 1x4 section headphone ho
Battery	7.2V/4950mAh
Printing	line thermal printing
Printing paper width	58mm
Printing speed	50mm/s
Printer service life	50km
Roll diameter	Φ40mm
Dimension	Terminal: length216.6mm*width89.2mm*height57.9mm Charging Base: Length215.7mm*Width89.9mm*Height 28.5mm
Thimble Type Charging Base	INPUT: AC100~240V/1.5A 50/60Hz OUTPUT: DC12V/1A

Hazardous/Toxic Substances and Content Table of the Product

Parts Name	Hazardous/Toxic Substances or Elements					
	Lead (Pb)	Mercury (Hg)	Cadmium (Cd)	Hexavalent chromium (Cr(VI))	Polybrominated biphenyls (PBB)	Polybrominated diphenyl ethers (PBDE)
Circuit card assembly	X	○	○	○	○	○
Print head assembly	X	○	○	○	○	○

○: Indicates that the concentration of the hazardous substances in all homogeneous materials in the parts is below the relevant threshold of the SJ/T11363-2006.

X: Indicates that the concentration of the hazardous substances of at least one of all homogeneous materials in the parts is above the relevant threshold of the SJ/T11363-2006; However, the content of the parts marked with "x" is above the standard due to the fact that there is not mature alternative technologies in the industry.

Products reaching or beyond service life for environmental protection shall not be discarded anyhow but recycled as per the stipulations set out in the Control and Administrative Measures on Electronic Information Products.

Warranty Card

Warranty Card

Product Name: _____

Product Model: _____

Product No.: _____

Purchase Date: _____

Warranty Period: Warranty service by our company is available within ___ days upon purchasing.

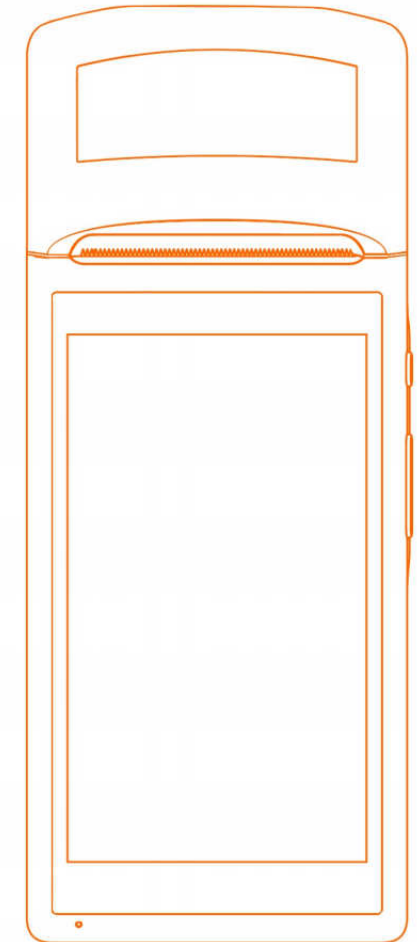
Free warranty is not provided in following conditions:

- Products are disassembled and repaired without permission.
- Product barcode and fragile sticker are damaged, and the warranty card is obliterated or broken.
- Malfunction caused by operations without complying with requirements in the manual.
- Malfunction caused by water soaking or falling, and man-made damage like scratching or breaking.
- Malfunction or damage caused by force majeure.
- Beyond the warranty period.

Contact Methods:

• Business address: _____

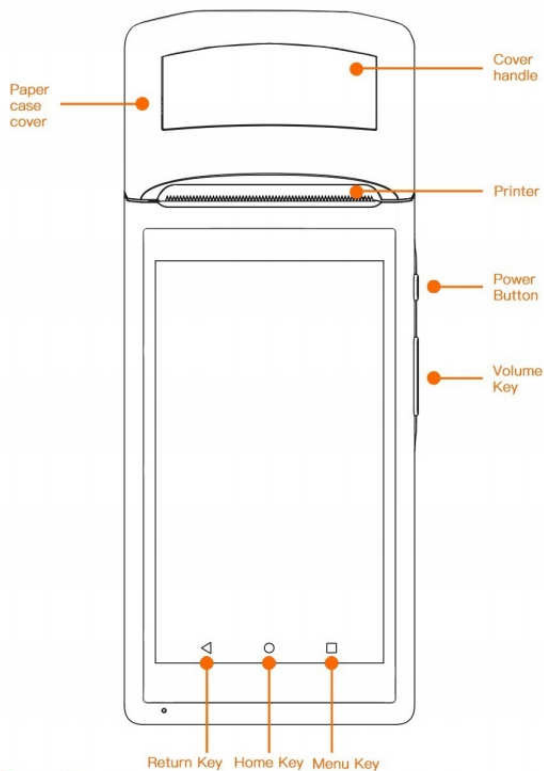
• Telephone number: _____



Contents of Package

- Body*1
- User Guide*1 (including Contents of Package, Warranty Card and Product Certificate)
- Charging dock*1
- _____

V1 User Guide



Power Button
Short press: Wake up or lock the screen.
Long press: Press the button for 2–3 seconds to start up the device in shutdown mode;
Press the button for 2–3 seconds to select shutdown or restart under normal service conditions.
Press the button for 11 seconds to automatically restart the device when it crashes.

Volume Key
Adjust volume (the key can be also used for quick barcode scanning when supported by applications).

Return Key
Click it to return to the previous interface.

Home Key
Click it to return to home screen quickly.

Menu Key
Click it to view programs running in the background quickly;
Select an App and slide towards one side to close it.

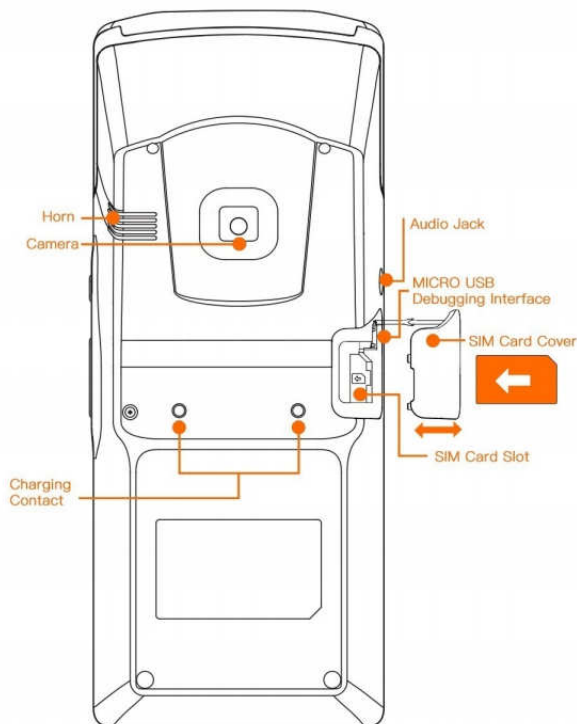
Printer
Print receipts and bills in power-on state.

Audio Jack
Available for externally connected audio/personal credit card POS (application required).

MICRO USB Debugging Interface
Applicable to developers' debugging only. Charging unsupported

SIM Card Slot

Note: Ensure the device is powered off when inserting or removing sim card.



Inserting or removing card in power-on state may cause malfunction.

- Open SIM card cover horizontally;
- Insert/remove SIM card as instructed direction in the figure;
- Put the card cover back horizontally.

(China Mobile/Unicom 2G and Unicom 3G SIM cards are supported)

Camera

Applicable to barcode scanning within close range (6cm–20cm) only.

Charging Contact

Used for charging when contacting the dock.
(Stay away from water, metal and other energized devices)

EU Regulatory conformance

Hereby, we declare that this device is in compliance with the essential requirements and other relevant provisions of Directive 1999/5/EC.

CE 0560



To prevent possible hearing damage, do not listen at high volume levels for long periods.



Adapter shall be installed near the equipment and shall be easily accessible

Caution

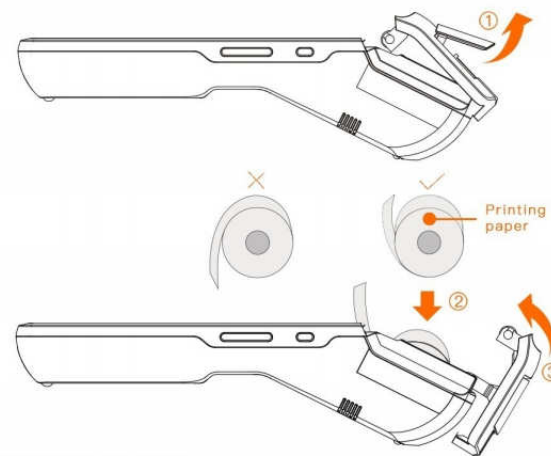
Risk of explosion if battery replaced by an incorrect type.

Dispose of used batteries according to the instructions.

Please make sure the temperature for adapter will be from -10°C to 40°C

Please make sure the temperature for device will be from -10°C to 40°C

The device could be used with a separation distance of 0cm to the human body.

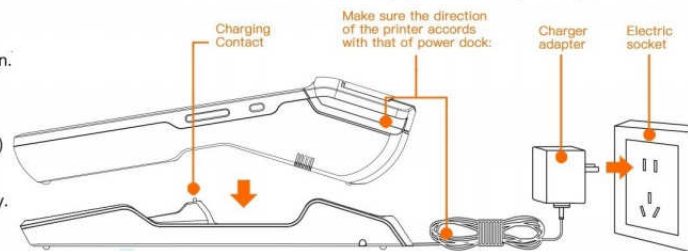


Printing Instructions

The device supports 58mm thermal printing paper with a specification of 57±0.5mm*Ø40mm

- Open the paper case through cover handle (Figure ①). Force open will have the gears of print head worn;
- Put printing paper into the paper case as per the direction in the figure and pull out part of the paper outside the slit (Figure ②);
- Close the case cover to complete the installation of printing paper (Figure ③).

Note: Check the direction of the paper roll if the printed paper is blank.



Description of Charging and Battery

The device supports docking station only. Charging by USB cable is unsupported

- Insert the dock adapter into the mains socket;
- Mount the device onto the dock as per the direction in the figure;
- Charging icon will be shown on the screen during charging;
- Check the direction of the device onto the dock if no charging icon is shown.

Battery description/notes

- The device uses 7.2V / 4950 mAh non-detachable built-in lithium battery. Do not remove it by yourself.
- Please charge the device at any time instead of after power-off so as to maintain the service life of the battery.

Minimalism Design

Only a few steps to start the smart commercial device

- ① 2G/3G setting. Insert corresponding 2G (GSM)/3G (GSM) card in shutdown mode before starting the device.

(See Technical Specifications for details of card support)

- ② Press the power button for 2–3 seconds to wake up the screen, enter the interface of first starting and operate as per instructions. 2 kinds of network modes are selectable for the device.

- ③ **WIFI setting**
Click the button [Setting] and put WLAN on, then enter the interface of WLAN search and wait for searched and listed available WLAN hot-spots;
Select a WLAN to be connected. Passwords are required for encrypted networks.

How to Download/use Apps

In networking mode, open App Store, browse, download and install targeted Apps.

Common Troubleshooting

Printer Out of Service

- Make sure the paper case is closed properly;
- Make sure the printing paper is properly selected and installed;
- Check whether the paper case is installed with 58mm*40mm thermal printing paper roll;
- Check whether the paper is placed reversely when printing blank content.

Fail to Start the Device (e.g. Low Battery)

- Mount the device onto the dock correctly and charge it for 3 minutes;
- Check whether the charging status is shown on the screen.

Device Crash

Press the power button for 11 seconds to restart.

Additional Tips

After startup, view [User Guide] for more details

FCC Regulations:

This device complies with part 15 of the FCC Rules. Operation is subject to the following two conditions: (1) This device may not cause harmful interference, and (2) this device must accept any interference received, including interference that may cause undesired operation. This device has been tested and found to comply with the limits for a Class B digital device, pursuant to Part 15 of the FCC Rules. These limits are designed to provide reasonable protection against harmful interference in a residential installation. This equipment generates, uses and can radiate radio frequency energy and, if not installed and used in accordance with the instructions, may cause harmful interference to radio communications. However, there is no guarantee that interference will not occur in a particular installation. If this equipment does cause harmful interference to radio or television reception, which can be determined by turning the equipment off and on, the user is encouraged to try to correct the interference by one or more of the following measures:

- Reorient or relocate the receiving antenna.
 - Increase the separation between the equipment and receiver.
 - Connect the equipment into an outlet on a circuit different from that to which the receiver is connected.
 - Consult the dealer or an experienced radio/TV technician for help.
- Caution: Changes or modifications not expressly approved by the party responsible for compliance could void the user's authority to operate the equipment.

FCC RF Exposure Information (SAR)

This device is designed and manufactured not to exceed the emission limits for exposure to radio frequency (RF) energy set by the Federal Communications Commission of the United States.

During SAR testing, this device is set to transmit at its highest certified power level in all tested frequency bands, and placed in positions that simulate RF exposure in usage near the body. Although the SAR is determined at the highest certified power level, the actual SAR level of the while operating can be well below the maximum value. This is because the device is designed to operate at multiple power levels so as to use only the power required to reach the network. In general, the closer you are to a wireless base station antenna, the lower the power output.

The exposure standard for wireless employs a unit of measurement known as the Specific Absorption Rate, or SAR. The SAR limit set by the FCC is 1.6W/kg.

The FCC has granted an Equipment Authorization for this model device with all reported SAR levels evaluated as in compliance with the FCC RF exposure guidelines. SAR information on this model device is on file with the FCC and can be found under the Display Grant section of www.fcc.gov/oet/ea/fccid after searching on FCC ID: 2AH25V1.

For this device, the highest reported SAR value for usage near the body is 0.55 W/kg.

While there may be differences between the SAR levels of various devices and at various positions, they all meet the government requirement.