

- 快速启动**
 - NFC (选卡器) (选配)**
用于感应会员卡等NFC卡。
 - 打印机**
用于开机状态下打印单据。
 - 扫描键/灯罩 (选配)**
短按启动扫描功能。
 - Type-C**
用于给设备充电和开发者调试使用。
 - Micro SD卡插槽/Nano SIM卡插槽**
用于插入Micro SD卡和Nano SIM卡。
 - 前置摄像头 (选配)**
用于视频会议或扫描图像和视频。
 - 电源键**
短按: 点亮屏幕, 锁定屏幕。
长按: 关机状态下, 长按 2-3 秒开机;
使用状态下, 长按 2-3 秒, 可选择关机或重启;
待机状态下, 长按 11 秒, 自动重启。
 - 音量键**
调节音量大小。
 - 扫码头 (选配)**
用于条码数据采集。
 - 前置摄像头**
支持拍照及1D/2D条码识别。
 - Pogo pin**
用于脱机扫码或者连接扩展底座时实现通讯和充电功能。
 - PSAM卡插槽 (选配)**
用于接入PSAM卡。

打印纸

本机支持80mm热敏卷纸, 极薄纸, 另外可选配支持票据, 规格为79*40.5mm*0.09mm
*薄纸在按压打印纸前(图示C), 切勿打开白色盖, 防止打印头带卷纸;
*按照指示方向, 将打印纸正确放入纸仓, 并拉出部分纸至切口外(图示D);
*盖好纸仓盖, 打印纸正确装入(图示D);
*注意: 如果打印纸有空白, 请检查纸卷方向是否正确。

生产合格证的识别和选择操作表

年份	年份	年份	年份	年份	年份	年份	年份	年份
2018	2019	2020	2021	2022	2023	2024	2025	2026
0	1	2	3	4	5	6	7	8

C: 表示该有盖物数量至少在证件的某一块基材材料中的含量量出与111333-2006规定的数量要求, 但遇上表中“*”的符号, 其含量量出是取自该行业还没有成熟替代的技术。
D: 对任何超过保质期使用年限的产品, 应依据《电子产品控制管理方法》规定进行回收利用, 不应随意丢弃。

- 安全警告**
- 安全警告
 - 请将交流电源插入与配件电源适配器上标识输入相对应的交流电源插座中;
 - 此为A级产品, 在生活环境中, 该产品可能会造成无线电干扰, 在某种情况下, 可能使用户对于手机采取切实可行的措施;
 - 仅使用原装充电器;
 - 存在爆炸性气体时请勿更换电池;
 - 请勿在危险场所充电。
 - 重要安全提示**
 - 避免在高温环境或强光使用, 否则将造成电池的自燃;
 - 避免使用易燃气体, 过热或潮湿环境下, 请立即切断电源;
 - 避免使用尖锐物品, 请勿触摸!
 - 请使用原装充电器
 - 建议**
 - 不要在潮湿、热环境中使用, 例如靠近火源或点燃的香烟;
 - 不要将、磁体或磁片;
 - 尽量在清洁无尘环境中使用, 避免微小颗粒落入机身中;
 - 在未获允许的情况下, 不要在医疗设备附近使用。
 - 声明**
 - 本公司不对以下行为负责
 - 不在本设备说明书的条件下使用和维修产品造成的损坏或问题;(未经本公司同意, 无授权进行修改或变通)
 - 本产品的操作需要支持官方的系统更新, 如果用户进行了第三方的ROM更新或者采用破解方式修改了系统文件, 可能会导致系统不稳定, 以及引发安全风险和变通。
 - 免责声明**
 - 由于产品的更新, 本文档的某些内容可能与产品不符, 请以实物为准, 正文档的解释权归本公司, 保留不预先通知的情况下, 修改本文档书的权利。
 - 使用场景**
 - 2G/3G/4G 主要用于常规场景下数据数据传输目标客户: 餐饮、零售、美容、化妆品
 - 应用场景: 外卖接单、点餐、排队等候、会员管理、门禁管理、移动支付。
 - 应用软件开发**
 - 应用市场、推送服务、用户反馈、数据服务、启动器、硬件管家
 - 功能服务自定义、BaseService、定制系列(营销、开机动画)
 - 开发指南(阅读小程序)、使用指南、开机指南、设备升级、OTA
 - 以上软件详细信息请查阅方法: 选择“设置->应用”, 选择相应软件名称进行查看。
软件安装方法: 选择“设置->应用->管理应用->卸载”卸载应用, 或长按图标, 拖拽到垃圾箱图标。

生产合格证

产品名称: _____
产品型号: _____
生产批次: _____
生产日期: _____
保修日期: 自购买之日起, 最长提供 ____ 天保修服务。

以下信息不作为法律依据:
本设备并非医疗设备相关产品,
产品说明、使用说明书等不作为依据, 请读者,
其他信息并非用于提供医疗诊断和治疗的依据,
消费者在选购和使用产品时, 应当仔细阅读产品说明,
遵守相关法律法规要求, 谨慎使用。

生产方式: _____
存放地址: _____
联系电话: _____

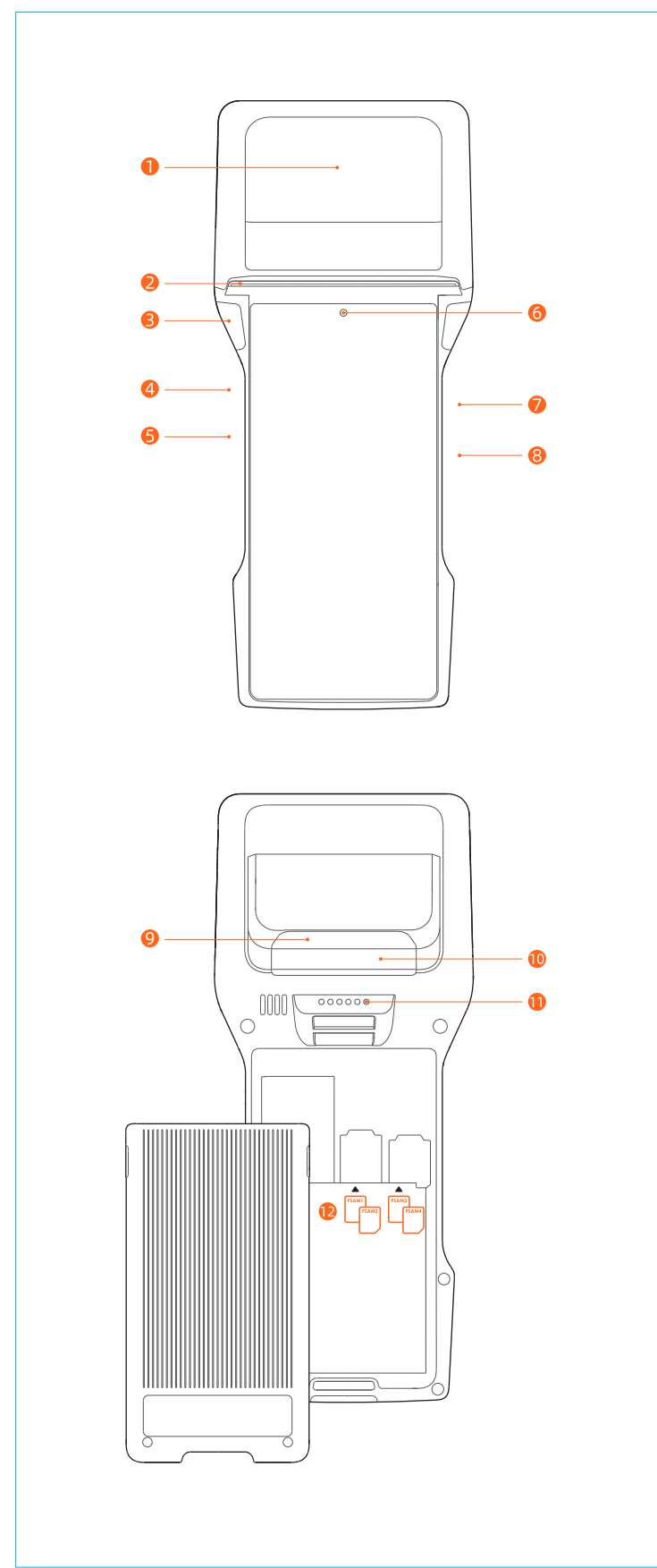
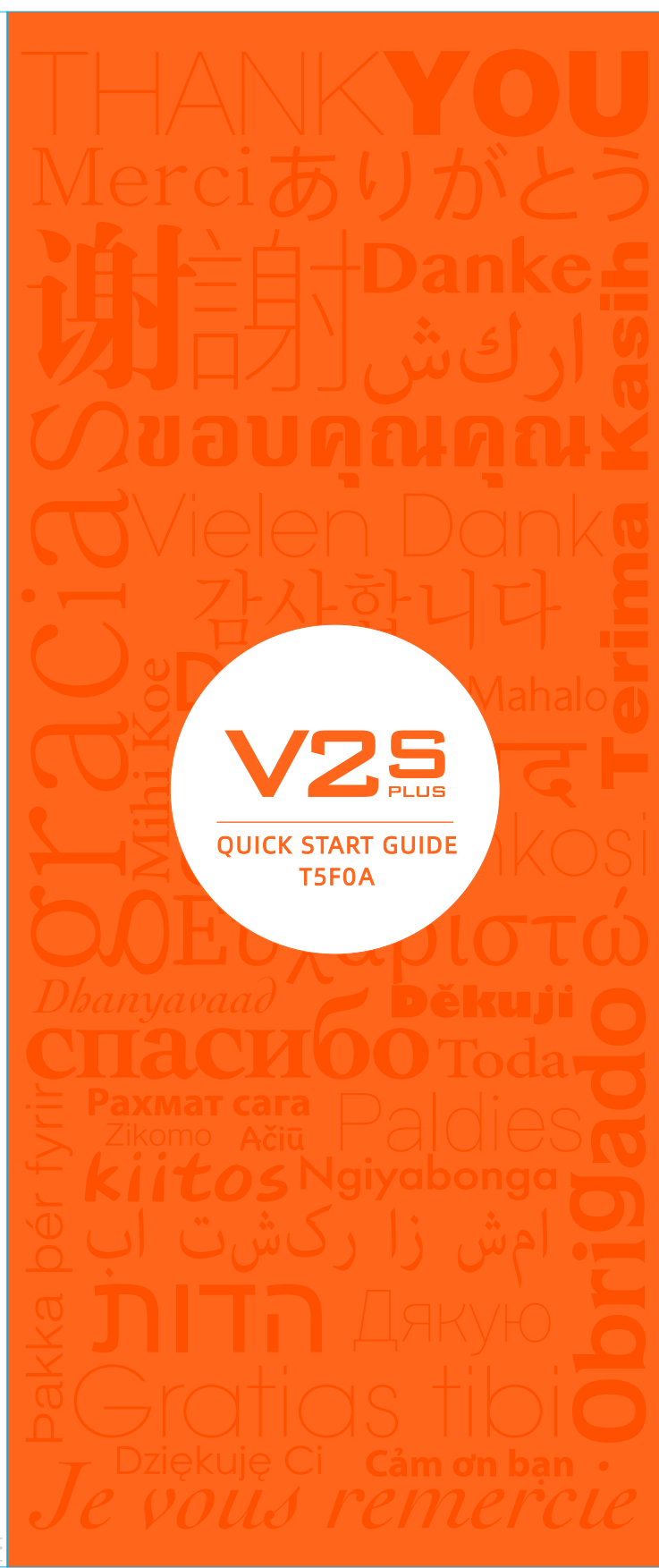
生产合格证

产品名称: _____
产品型号: _____
生产批次: _____
生产日期: _____
保修日期: 自购买之日起, 最长提供 ____ 天保修服务。

以下信息不作为法律依据:
本设备并非医疗设备相关产品,
产品说明、使用说明书等不作为依据, 请读者,
其他信息并非用于提供医疗诊断和治疗的依据,
消费者在选购和使用产品时, 应当仔细阅读产品说明,
遵守相关法律法规要求, 谨慎使用。

生产方式: _____
存放地址: _____
联系电话: _____

制造商: 上海霞米科技集团股份有限公司
地址: 上海市浦东新区沪南路388号创智天地7号楼505室
邮编: 2015052160



- Quick Start**
- NFC Reader (optional)**
For reading NFC cards, like loyalty cards.
 - Printer**
For printing receipts when the device is on.
 - Scan Button/LED (optional)**
Short press to enable barcode scanning function.
 - Type-C**
For device charging and developer debugging.
 - Micro SD Card Slot/Nano SIM Card Slot**
For installing the Micro SD card and Nano SIM card.
 - Front Camera (optional)**
For video conference, or photo/video taking.
 - Power Button**
Short press: wake up the screen, lock the screen.
Long press: long press for 2-3 seconds to turn on the device when it is off. Long press for 2-3 seconds to select to power off or reboot the device when it is on. Long press for 11 seconds to reboot a device when the system is frozen.
 - Volume Button**
For volume adjustment.
 - Scanner (optional)**
For barcode data collection.
 - Rear Camera**
For photo taking and quick 1D/2D barcode reading.
 - Pogo pin**
For connecting a barcode scanning accessory, or a cradle for communication and charging.
 - PSAM Card Slots (optional)**
For installing the PSAM cards.

Printed Instructions

This device can load a 80mm thermal receipt or label paper roll, and back label is also optional.
The paper roll spec is 79*40.5mm*0.09mm.
* Please press to open the printer (see D). Please do not force open the printer to avoid printhead gear wear.
* Load the paper into the printer and pull some paper outside the cutter following the direction shown in D;
* Close the cover to complete paper loading (see D).
* Notice: If the printer prints blank paper, please check whether the paper roll has been loaded in the correct direction.
* Tips: To clean a label printhead, it is recommended to use a cotton swab dipped in alcohol or a alcohol prep pad (75% isopropyl alcohol) to wipe the printhead.

Table for names and content identification of fabric and hazardous substances in this document

Item Name	China	USA	Canada	EU	Japan	India	Australia	South Korea
Cover Components	0	0	0	0	0	0	0	0
Printer Components	0	0	0	0	0	0	0	0
Scanner Components	0	0	0	0	0	0	0	0
Other Components	0	0	0	0	0	0	0	0

C: Indicates that the content of the fabric and hazardous substances in at least one homogeneous material of the component meets the requirements of REACH (RoHS). However, as for the fabric, because there is no mature and matured technology in the industry at present, the products that have already received environmental protection certification (RoHS) are required and allowed according to the Regulation on Control and Management of Electronic Products and their Associated Materials.

- Notes**
- Safety Warning**
Connect the AC plug to the AC socket corresponding to the marked input of the power adapter.
To avoid injury, unauthorized persons shall not open the power adapter.
This is a Class A product. This product may cause radio interference in living environments.
In that case, the user may be required to take adequate measures against interference.
Battery replacement:
1. Explosion danger may arise if replacing with the wrong battery.
2. The replaced battery shall be disposed of by maintenance personnel, and please do not throw it into fire.
Significant Safety Instructions
Do not install or use the device during lightning storms to avoid the potential risks of lightning shock.
Please turn off the power immediately if you notice abnormal odor, heat or smoke.
The paper cutter is sharp, please do not touch.
Suggestions
- Do not use the terminal near water or moisture to prevent liquid from falling into the terminal;
- Do not use the terminal in extremely cold or hot environments, such as near flames or lit cigarettes;
- Use the terminal in a clean and dust-free environment if possible to prevent small items from falling into the terminal;
- Please do not use the terminal near medical equipment without permission.
Statements
The Company does not assume responsibilities for the following actions:
- Damages caused by use and maintenance without complying with the conditions specified in this guide;
- The Company will not assume any responsibilities for the damages or problems caused by optional items or consumables (rather than the initial products or approved products of the Company). The customer is not entitled to change or modify the product without our consent.
- The product's operating system supports official system updates, but if you change the operating system into a third party ROM system or alter the system files by system cracking, it may cause system instability and security risks and threats.
Disclaimer
As a result of product upgrading, some details in this document may not match the product, and the actual product shall govern. The Company reserves the right of interpretation of this document. The Company also reserves the right to change this specification without prior notice.
EU regulatory compliance
Hereby, Shanghai Summi Technology Co., Ltd. declares that this device is in compliance with the essential requirements and other

relevant provisions of Radio Equipment Directive 2014/53/EU.
The description of accessories and components, including software, which allow the radio equipment to operate as intended, can be obtained in the full text of the EU declaration of conformity is available at the following internet address: <https://developer.summi.com/docs/read/en-US/maeaghk480>

RESTRICTIONS OF USE

This product may be used in the following European member states subject to the following restrictions. For products that operate in the frequency band 5150-5350MHz and 5845-6425 MHz (if the product support 6e), wireless access systems (WAS), including radio local area networks (RLANs), shall be restricted to indoor use.

EU Representative: SUMMI France SAS
186, avenue Thiers, 69006 Lyon, France

This symbol means that it is forbidden to dispose of the product of with normal household waste. At the end of the product life cycle, waste equipment should be taken to designated collection points, returned to the distributor when purchasing a new product, or contact your local authority representative for detailed information on WEEE recycling.

AT	BE	BG	HR	CY	CZ	DK
EE	FI	FR	DE	EL	HU	IE
IT	LV	LT	LU	MT	NL	PL
PT	RO	SK	SI	ES	SE	UK
RU	LI	NO	CH	TR		

Note: In all EU member states, operation of 5150-5350MHz and 5845-6425MHz, (if the product support 6e) is restricted to indoor use only.

RF Exposure Statement (SAR)

- This equipment complies with EU radiation exposure limits set forth for an uncontrolled environment.
Please refer to the instruction on SUMMI website for specific values.

Frequency and Power for EU:

Band	Frequency	Power (EIRP)
Class B	863-915	34 dBm
Class B	1710-1785	31 dBm
Class B	1920-1980	24 dBm
WLAN Band 18	863-915	24 dBm
Class B	1710-1785	25 dBm
Class B	1710-1785	25 dBm
Class B	2482-2513	24 dBm

LTE Band 2	880-915	25 dBm
LTE Band 2	880-915	25 dBm
LTE Band 2B	787-798	21 dBm
LTE Band 2C	797-808	21 dBm
LTE Band 40	2300-2400	21 dBm
BT	2400-2480	4 dBm
BLE	2402-2480	3.4
Bluetooth	2402-2480	10 dBm
Wi-Fi	5150-5350	18 dBm
Wi-Fi	5470-5725	18.5 dBm
Wi-Fi	5725-5845	18.82
Wi-Fi	5845-6425	18.5 dBm
NFC	13.56 MHz	42.45dBm/1000PTm

EU Regulatory Compliance

This device complies withISED Canada licence-exempt RSS standard(s). Operation is subject to the following two conditions: (1) this device may not cause interference, and (2) this device must accept any interference, including interference that may cause undesired operation of the device. Le présent appareil est conforme aux CNR d'ISED Canada applicables aux appareils radio exempts de licence. L'exploitation est autorisée aux deux conditions suivantes: (1) l'appareil ne doit pas produire de brouillage, et (2) l'appareil doit accepter tout brouillage radioélectrique subi, même si le brouillage est susceptible d'en compromettre le fonctionnement.

The device for operation in the band 5150-5250 MHz is only for indoor use to reduce the potential for harmful interference to co-channel mobile satellite systems; les dispositifs fonctionnant dans la bande 5150-5250 MHz sont réservés uniquement pour une utilisation à l'intérieur afin de réduire les risques de brouillage préjudiciable aux systèmes de satellites mobiles utilisant les mêmes canaux.

This device complies with Part 15 of the FCC Rules. Operation is subject to the following two conditions: (1) This device may not cause harmful interference, and (2) this device must accept any interference received, including interference that may cause undesired operation.

Note: This equipment has been tested and found to comply with the limits for a Class B digital device, pursuant to part 15 of the FCC Rules. These limits are designed to provide reasonable protection against harmful interference in a residential installation. This equipment generates, uses and can radiate radio frequency energy and, if not installed and used in accordance with the instructions, may cause harmful interference to radio communications. However, there is no guarantee that interference will not occur in a particular installation. If this equipment does cause harmful interference to radio or television reception, which can be determined by turning the equipment off and on, the user is encouraged to try to correct the interference by one or more of the following measures:
-Reorient or relocate the receiving antenna.
-Increase the separation between the equipment and receiver.
-Connect the equipment into an outlet on a circuit different from that to which the receiver is connected.
-Consult the dealer or an experienced radio/TV technician for help.
Caution: The user is cautioned that changes or modifications not expressly approved by the party responsible for compliance could void the user's authority to operate the equipment.

Manufacturer
Shanghai Summi Technology Co., Ltd.
Room 505, K6 Plaza, No. 388 Song Hu Road, Yang Pu District, Shanghai, China