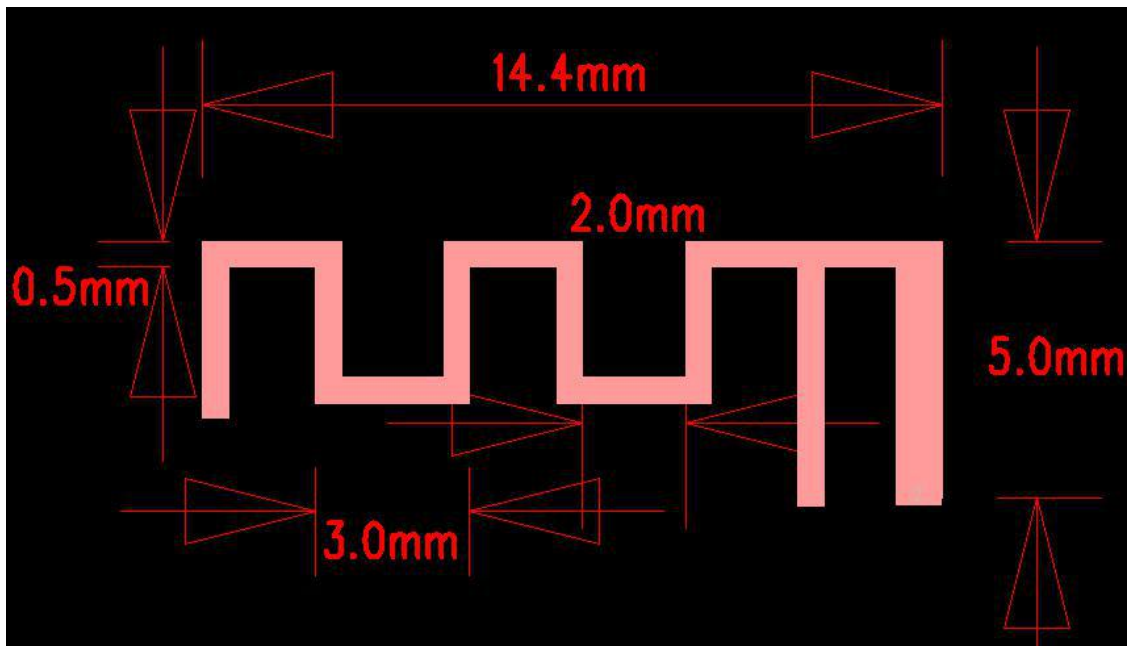


# Antenna Specification

## 1. Antenna describe:

Antenna gain	1.68 dBi (Max)					
Unit in dBi @244GHz	XY-plane		XZ-plane		YZ-plane	
	Peak	Avg.	Peak	Avg.	Peak	Avg.
	1.35	-0.48	1.68	-3.83	1.11	-2.99
Frequency range	2.402GHZ-2.480GHZ					
Connector type	Direct					
Model Name	2.4G F ANT					
Impedance	50 Ohm					
Antenna type	PCB ANT					
Manufacture	Zhongshan World Team Electronics Co., Ltd. 3rd Floor, No. 132, Qi Wan North Road, East Area, Zhongshan, Guangdong, China					

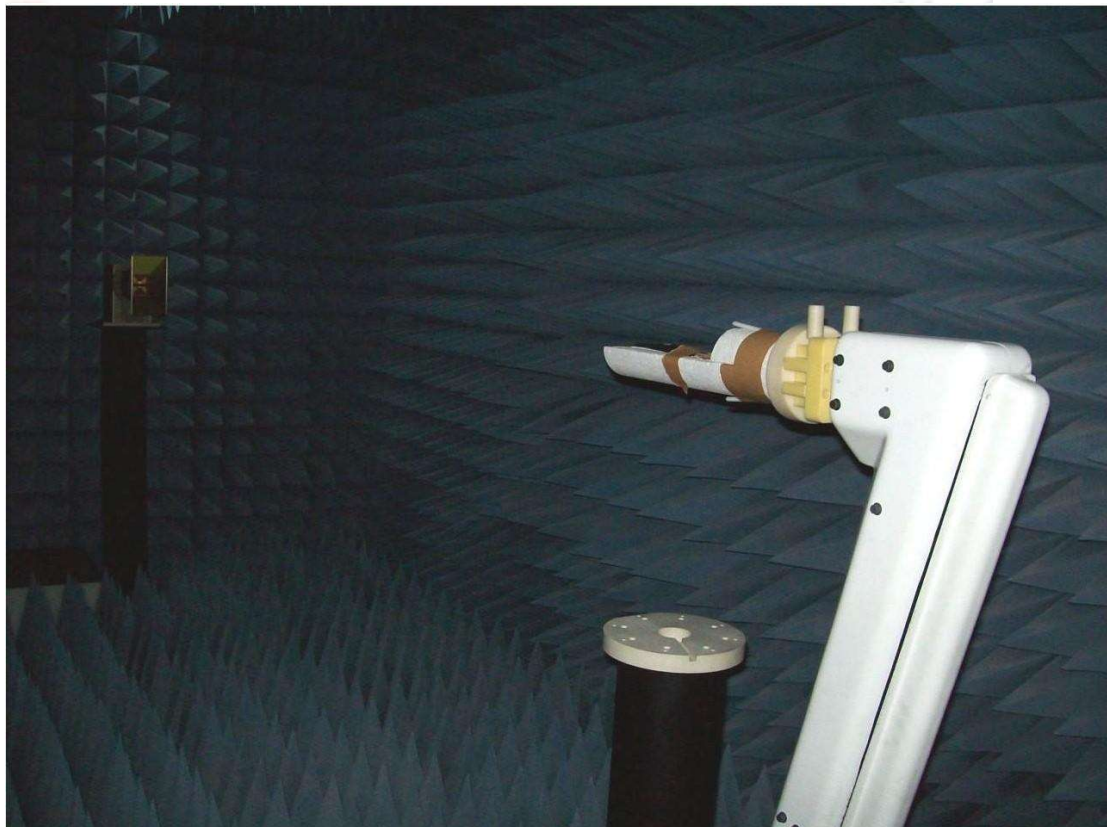
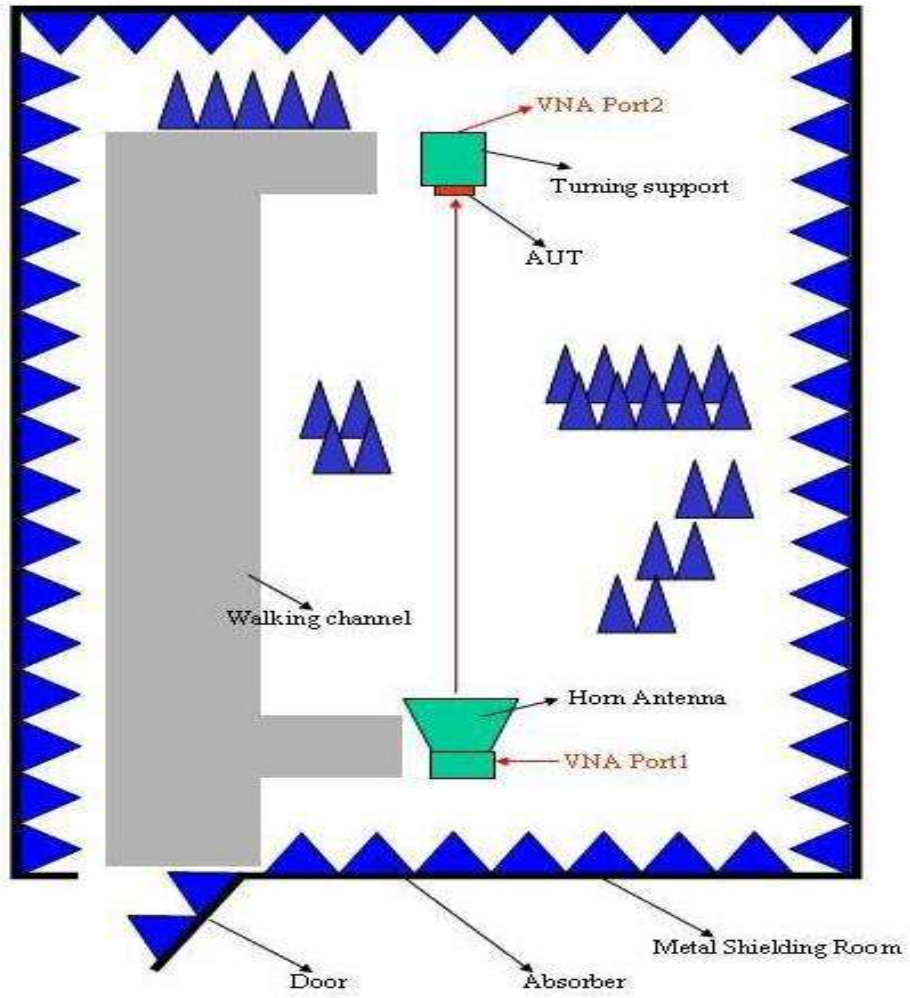
## PCB Antenna size:



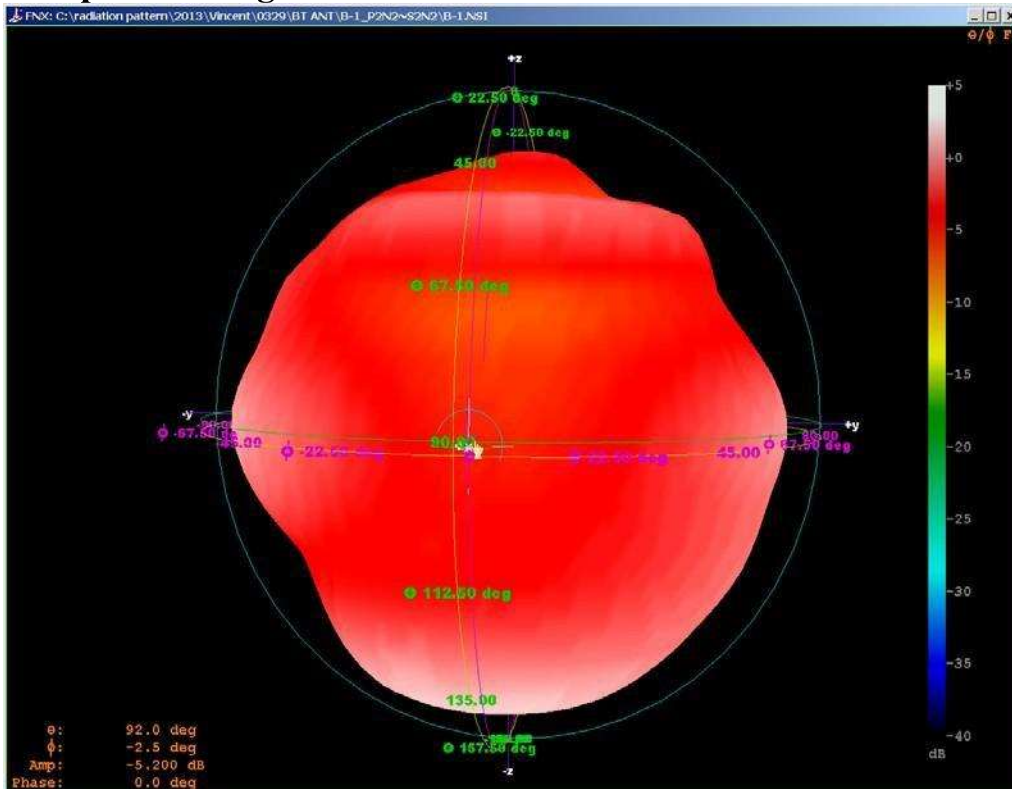
# Return Loss



# The Environment of Antenna Radiation Pattern

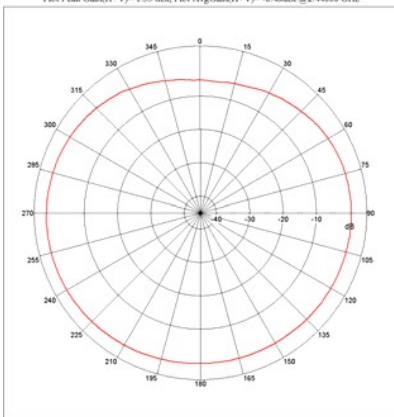


# 3D radiation pattern diagram



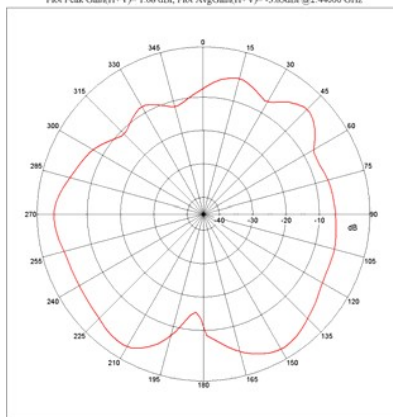
## XY-plane

Far-field Power Distribution(H+V) on X-Y Plane  
 Plot Peak Gain(H+V)= 1.35 dB; Plot AvgGain(H+V)= -0.48dB @2.44000 GHz



## XZ-plane

Far-field Power Distribution(H+V) on X-Z Plane  
 Plot Peak Gain(H+V)= 1.68 dB; Plot AvgGain(H+V)= -3.83dB @2.44000 GHz



## YZ-plane

Far-field Power Distribution(H+V) on Y-Z Plane  
 Plot Peak Gain(H+V)= 1.11 dB; Plot AvgGain(H+V)= -2.99dB @2.44000 GHz

