

"High Frequency Ceramic Solutions"

2450 MHz Antenna

P/N 2450AT42B100

Ground Clearance Requirements Minimized

Detail Specification: 11/20/2008

Page 1 of 3

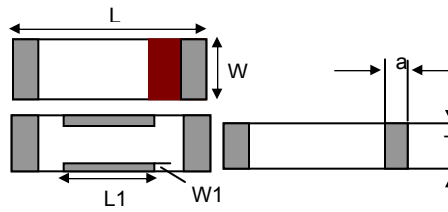
General Specifications

Part Number	2450AT42B100
Frequency Range	2400 - 2500 Mhz
Peak Gain	0 dBi typ. (XZ-V)
Average Gain	-1.5 dBi typ. (XZ-V)
Return Loss	9.5 dB min.

Input Power	3W max.
Impedance	50 Ω
Operating Temperature	-40 to +85°C
Reel Quantity	2,000

Mechanical Dimensions

	In	mm
L	0.197 ± 0.008	5.00 ± 0.20
W	0.079 ± 0.008	2.00 ± 0.20
L1	0.102 ± 0.008	2.60 ± 0.20
W1	0.020 ± 0.008	0.50 ± 0.20
T	0.079 +.004/-0.008	2.00 +0.1/-0.2
a	0.020 ± 0.012	0.50 ± 0.30



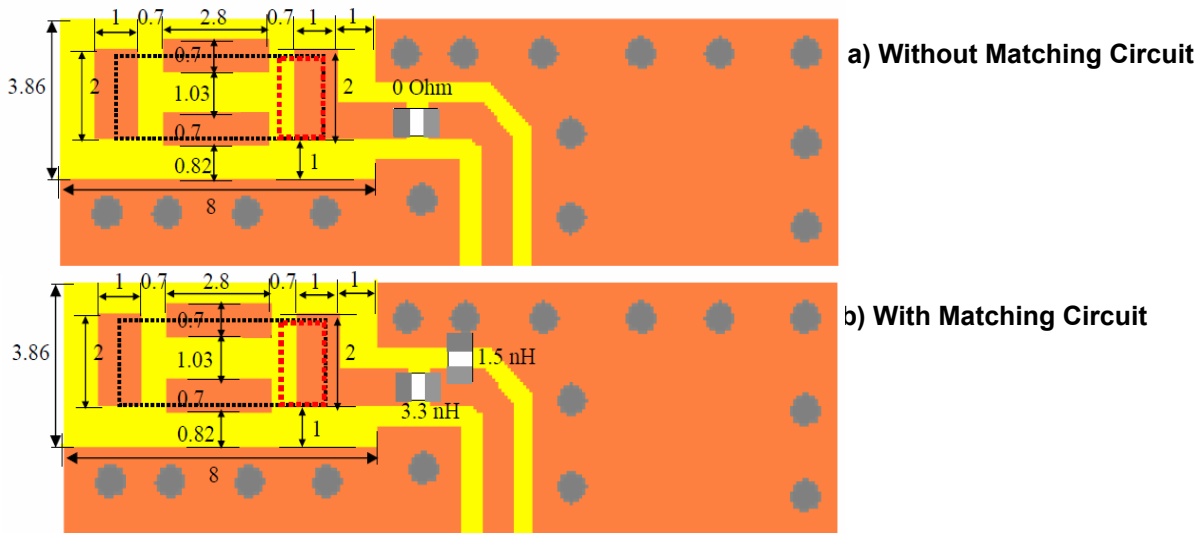
No.	Function
1	Feed Point
2	Anchoring Pin-NC
3	* Anchoring Pin-NC
4	* Anchoring Pin-NC

Mounting Considerations

Mount these devices with brown mark facing up. Units: mm

Line width should be designed to provide 50Ω impedance matching characteristics.

* Note: Pins 3 & 4, although "No Connect", must be soldered to its PCB pads for proper electrical operation



JTI P/N for Matching Circuit:
 Inductor (1.5nH): L-07C1N5SV6T
 Inductor (3.3nH): L-07C3N3SV6T

Johanson Technology, Inc. reserves the right to make design changes without notice.

All sales are subject to Johanson Technology, Inc. terms and conditions.



www.johansontechnology.com

4001 Calle Tecate • Camarillo, CA 93012 • TEL 805.389.1166 FAX 805.389.1821

2008 Johanson Technology, Inc. All Rights Reserved

"High Frequency Ceramic Solutions"

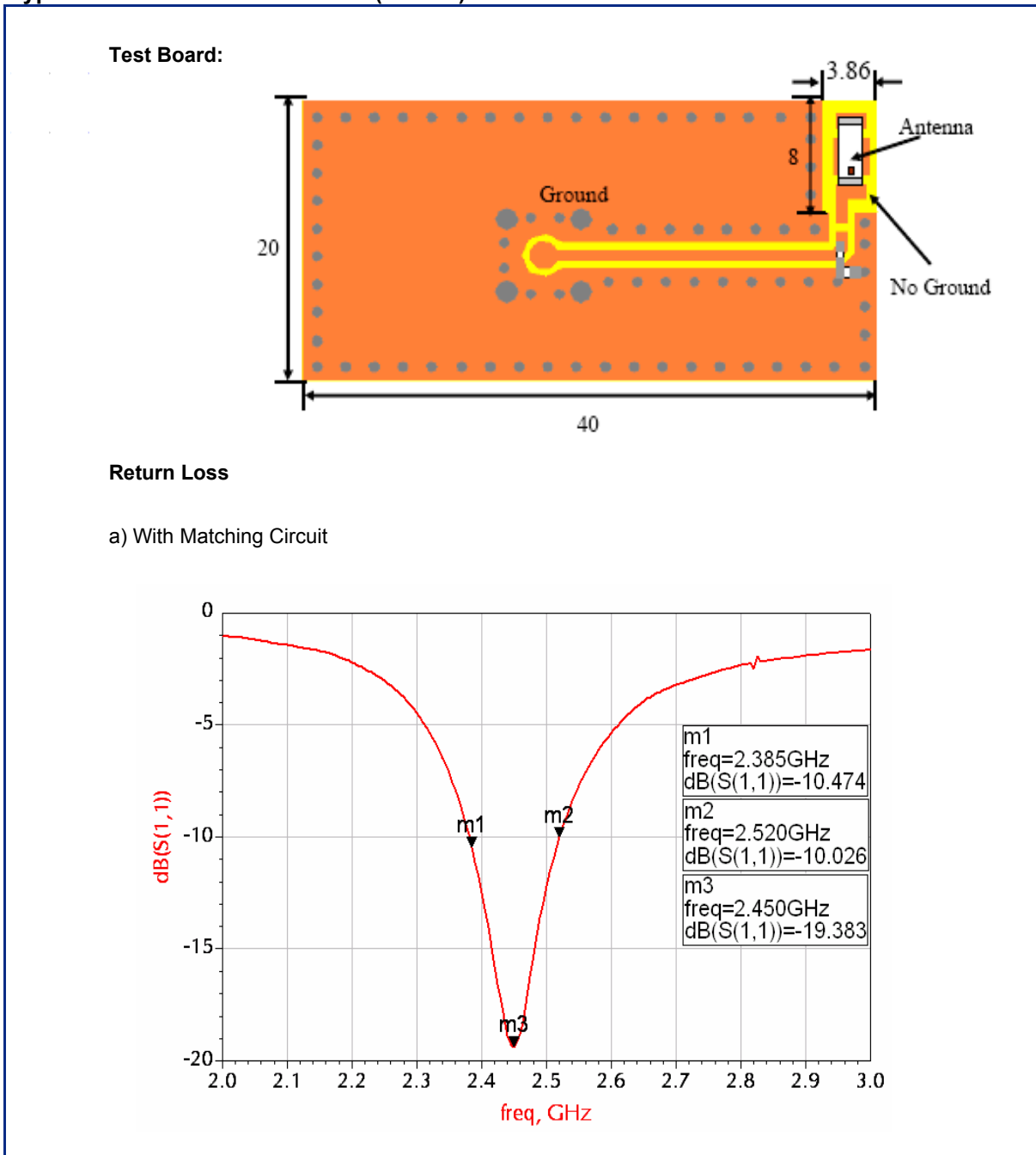
2450 MHz Antenna

P/N 2450AT42B100

Detail Specification: 11/20/08

Page 2 of 3

Typical Electrical Characteristics (T=25°C)



Johanson Technology, Inc. reserves the right to make design changes without notice.
All sales are subject to Johanson Technology, Inc. terms and conditions.

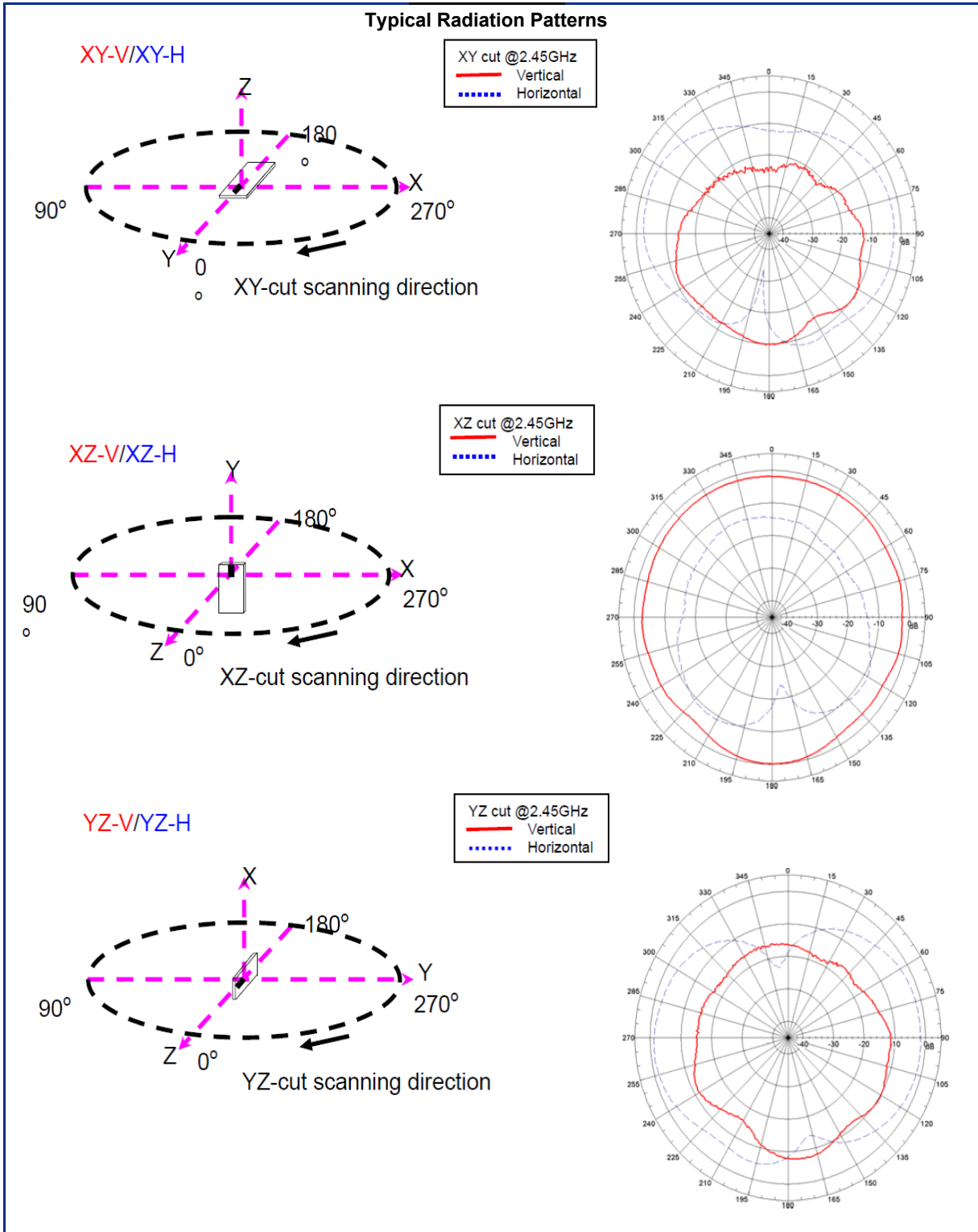
"High Frequency Ceramic Solutions"

2450 MHz Antenna

P/N 2450AT42B100

Detail Specification: 11/20/08

Page 3 of 3



Johanson Technology, Inc. reserves the right to make design changes without notice.

All sales are subject to Johanson Technology, Inc. terms and conditions.