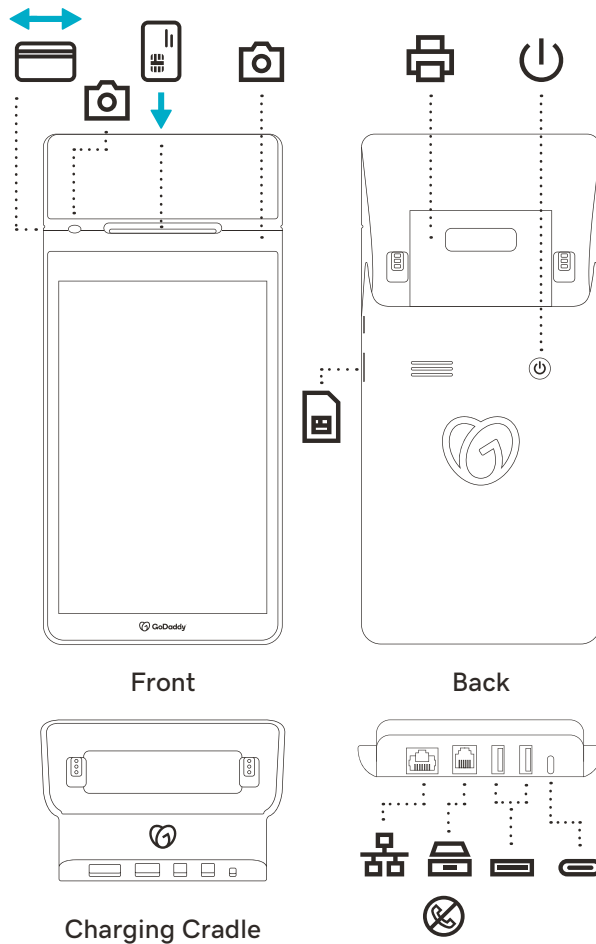
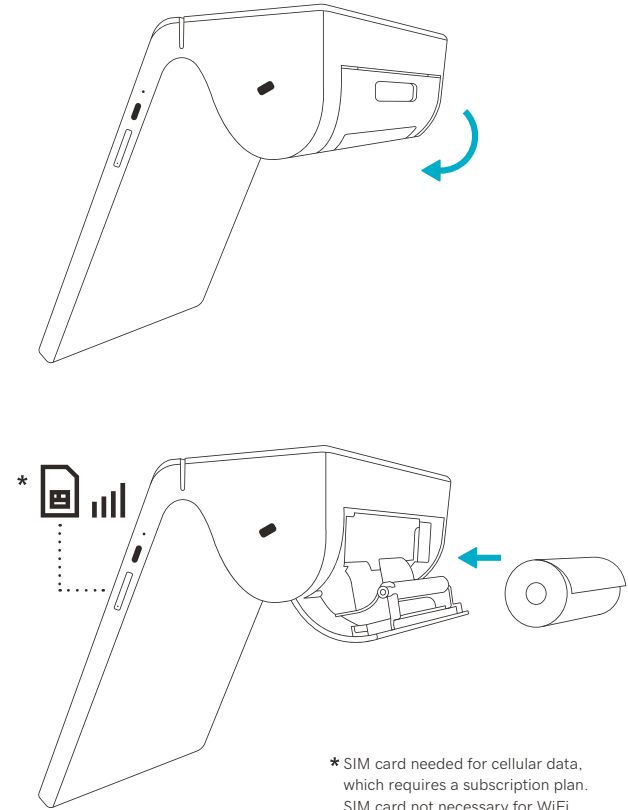


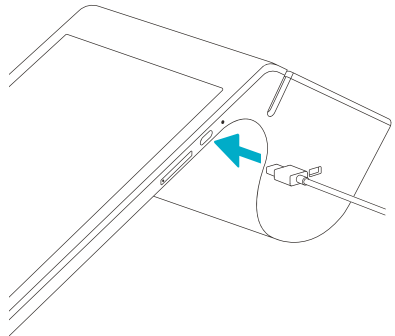
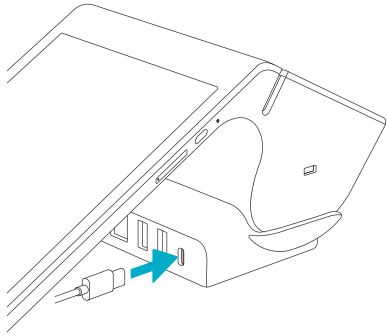
Quick Start Guide



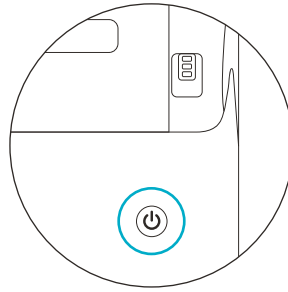
1



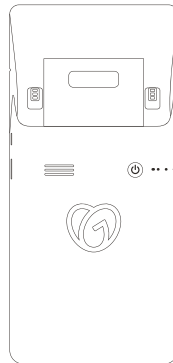
2



3



LED




Sell Anything. Anywhere.

We have all the ways to help you
sell more and grow your business.

For setup help, go to
GoDaddy.com/smart-terminal/help



FRONT

	Package Contents Device X 1 Docking Station X 1 USB-C Cable X 1 Power Adapter X 1 Plug Adapter Kit X 1 Receipt Roll X 1 Quick Start Guide X 1	SoC Qualcomm SDM 450 OS Poynt OS & Android 10.1 8" LCD 800 x 1280, MIPI 8" Touch Panel Multi-point, projected capacitive type, GG, Air bond 5" LCD 450 x 800, RGB 5" Touch Panel Multi-point, projected capacitive type, GG, Air bond System Memory (RAM) 2GB DDR3 Storage (Flash Memory) 16GB Communication WLAN 802.11 a/b/g/n/ac WWAN GSM (for EU), WCDMA, LTE/4G WPAN BT 4.2 HiS compliant/ Dual Role NFC Supports major NFC/contactless schemes, ISO14443 A&B, MiFare capable, ISO 18092 capable Speaker Mono with chambers, optimized for voice Buzzer 4.8KHz, 60dB @ 10cm Sensors 3-axis accelerometer, SAR sensor, Light sensor. Printer 2-inch Thermal Printer	Camera Merchant-Facing 2MP Camera Barcode Scan Camera 5MP Payment Module - SoC Maxim 32555 Power Battery Pack 5900mAh, 3.7V, 21.83Wh Power Adapter AC-DC, Input: 100-240VAC, Output: 5VDC, 3A IO Port SIM Nano-SIM, Tray type USB USB-C Card reader Magnetic Strip, Chip Buttons/Switch Power/Sleep button, Developer button (pinhole) LED Indicator System status - RGB LED, Merchant facing, Payment status - RGB LED, Customer facing Housing Plastic Dimensions Terminal: X-123mm, Y-272mm, Z-99mm, Dock: X-122mm, Y-84mm, Z-32mm Weight Terminal: 0.9kg, Dock: 0.1kg Dock USB-A 2.0 x2, RJ45 x1, RJ12 x1, USB-C x1 (power input only)	Review the Quick Start Guide before using the Poynt Smart Terminal. Visit support.poynt.com Operating Environment Voltage: AC input: 100-240 VAC, 50/60 Hz; DC output: 5VDC, 3A Temperature: 0° to 35° C Long Term Storage Environment Temperature: 0° to 30° C, relative humidity 20% to 75% Warning: Read this guide for important safety and health information that applies to the Poynt device that you have purchased. Failure to follow instructions and properly set up, use and care for this product can increase the risk of serious injury or death, or damage to the device or devices. Battery This device contains a built-in lithium-ion battery, improper use of which may result in overheating, fire, and injury. The battery in this device is not user replaceable and should only be replaced by an authorized service provider. For optimal lithium-ion battery performance, follow advised guidelines.	• Operating Environment Temperature. • Storage Environment Temperature. • Charge Poynt Smart Terminal with approved Docking Station or approved Power Adapter set to 100% full charge at least every 6 months. CAUTION • Risk of explosion if the battery is replaced by an incorrect type. • Disposal of a battery into fire or a hot oven, or mechanically crushing or cutting of a battery, that can result in an explosion. • Leaving a battery in an extremely high temperature surrounding environment that can result in an explosion or the leakage of flammable liquid or gas. • A battery subjected to extremely low air pressure that may result in an explosion or the leakage of flammable liquid or gas. Please note: • Not following above guidelines may result in the battery capacity draining quicker, increase duration to achieve full charge, impede ability to achieve full charge, and deplete battery to zero capacity. • Not following above guidelines may result in the product not functioning, rendering it unusable or unrecoverable. Disposal Information Recycle and dispose of in accordance with local, state	and federal regulations. This device must be recycled or disposed of separately from household waste or recycling. Regulatory Information Regulatory information, certification, and compliance information can be found at poynt.com/legal . Check the E-Labels from Settings → Certifications. FCC Compliance Statement This device complies with Part 15 of the FCC Rules. Operation is subject to the following two conditions: (1) this device may not cause harmful interference, and (2) this device must accept any interference received, including interference that may cause undesired operation. Changes or modifications not expressly approved by the party responsible for compliance could void the user's authority to operate the equipment. This equipment has been tested and found to comply with the limits for a Class B digital device, pursuant to Part 15 of the FCC Rules. These limits are designed to provide reasonable protection against harmful interference in a residential installation. This equipment generates, uses and can radiate radio frequency energy and, if not installed and used in accordance with the instructions, may cause harmful interference to radio communications. However, there is no guarantee that interference will not occur in a
	Poynt Smart Terminal Safety & Regulatory					

88.15

131.48

617.05


BACK

particular installation. If this equipment does cause harmful interference to radio or television reception, which can be determined by turning the equipment off and on, the user is encouraged to try to correct the interference by one or more of the following measures: • Reorient or relocate the receiving antenna. • Increase the separation between the equipment and receiver. • Connect the equipment into an outlet on a circuit different from that to which the receiver is connected. • Consult the dealer or an experienced radio/TV technician for help. ISED Compliance Statement This device contains licence-exempt transmitter(s)/ receiver(s) that comply with Innovation, Science and Economic Development Canada's licence-exempt RSS(s). Operation is subject to the following two conditions: (1) This device may not cause interference. (2) This device must accept any interference, including interference that may cause undesired operation of the device. L'émetteur/récepteur exempt de licence contenu dans le présent appareil est conforme aux CNR d'Innovation, Sciences et Développement économique Canada applicables aux appareils radio exempts de	licence. L'exploitation est autorisée aux deux conditions suivantes: (1) L'appareil ne doit pas produire de brouillage; (2) L'appareil doit accepter tout brouillage radioélectrique subi, même si le brouillage est susceptible d'en compromettre le fonctionnement. SAR statement This equipment complies with FCC/ISED radiation exposure limits set forth for an uncontrolled environment. End user must follow the specific operating instructions for satisfying RF exposure compliance. This transmitter must not be co-located or operating in conjunction with any other antenna or transmitter. The portable device is designed to meet the requirements for exposure to radio waves established by the ISED. These requirements set a SAR limit of 1.6 W/kg averaged over one gram of tissue. The highest SAR value reported under this standard during product certification for use when properly worn on the body. The SAR test distance for extremity is 0mm, and the SAR test distance for body is 10mm. Cet équipement est conforme aux limites d'exposition aux rayonnements FCC/ISED établies pour un environnement non contrôlé. L'utilisateur final doit suivre les instructions spécifiques pour satisfaire les normes. Cet émetteur ne doit pas être co-implanté ou fonctionner en conjonction avec toute autre antenne ou transmetteur.	Le dispositif portatif est conçu pour répondre aux exigences d'exposition aux ondes radio établie par le développement énergétique DUBALE. Ces exigences un SAR limite de 1,6 W/kg en moyenne pour un gramme de tissu. La valeur SAR la plus élevée signalée en vertu de cette norme lors de la certification de produit à utiliser lorsqu'il est correctement porté sur le corps. California Proposition 65 Warning: Warning: This product can expose you to DEHP, which are known to the State of California to cause cancer and birth defects or other reproductive harm. For more information go to www.P65Warnings.ca.gov . EU Compliance Statement This product complies with the RED Directive 2014/53/EU & RoHS 2011/65/EU. Point of contact: Poynt, LLC, Attn: Compliance, 2155 E GoDaddy Way, Tempe, AZ, 85284 USA https://www.poynt.com/legal Use Restriction: This device is restricted to indoor use when operating in the 5150 to 5350 MHz frequency range.	European Union - Disposal Information This symbol on the product or its batteries or its packaging means that this product and any batteries it contains must not be disposed of with your household waste. Instead, it is your responsibility to hand this over to an applicable collection point for the recycling of batteries and electrical and electronic equipment. CE This device was tested for typical body-worn operations. To comply with RF exposure requirements, a minimum separation distance of 0cm must be maintained between the user's body and the handset, including the antenna. Herby, Poynt, LLC declares that the radio equipment type PST3 is in compliance with Directive 2014/53/EU. The full text of the EU declaration of conformity is available at the following internet address: http://www.poynt.com/legal . This equipment complies with Directive 2014/53/EU radiation exposure limits set forth for an uncontrolled environment. End user must follow the specific operating instructions for satisfying RF exposure compliance. This transmitter must not be co-located or operating in conjunction with any other antenna or transmitter. The portable device is designed to meet the requirements for exposure to radio waves established by European Union market (France).	Certification Information: SAR Limit: Limbs: 4.0W/kg Brain/Body: 2.0W/kg SAR Value: Limbs: 3.92W/kg Brain/Body: 1.33W/kg Maximum EIRP for EU <table border="1"> <tr> <td>Bluetooth: 2402MHz-2480MHz</td> <td>8.18dBm</td> </tr> <tr> <td>Bluetooth LE: 2402MHz-2480MHz</td> <td>2.94dBm</td> </tr> <tr> <td>Wifi: 2412MHz-2472MHz/2422MHz-2462MHz</td> <td>16.15dBm</td> </tr> <tr> <td>Wifi: 5150MHz-5725MHz</td> <td>19.92dBm</td> </tr> <tr> <td>Wifi: 5725MHz-5875MHz</td> <td>13.27dBm</td> </tr> <tr> <td>NFC: 13.56MHz</td> <td>-20.65dBuA/m</td> </tr> <tr> <td>GSM/900: 880-915MHz/925-960MHz</td> <td>33dBm</td> </tr> </table>	Bluetooth: 2402MHz-2480MHz	8.18dBm	Bluetooth LE: 2402MHz-2480MHz	2.94dBm	Wifi: 2412MHz-2472MHz/2422MHz-2462MHz	16.15dBm	Wifi: 5150MHz-5725MHz	19.92dBm	Wifi: 5725MHz-5875MHz	13.27dBm	NFC: 13.56MHz	-20.65dBuA/m	GSM/900: 880-915MHz/925-960MHz	33dBm	<table border="1"> <tr> <td>DSC1800: 1710-1765MHz/1805-1880MHz</td> <td>30dBm</td> </tr> <tr> <td>WCDMA Band 1: 1920-1980MHz/2110-2170MHz</td> <td>24dBm</td> </tr> <tr> <td>WCDMA Band 8: 880-915MHz/925-960MHz</td> <td>24dBm</td> </tr> <tr> <td>LTE Band 1: 1920-1980MHz/2110-2170MHz</td> <td></td> </tr> <tr> <td>LTE Band 3: 1710-1785 MHz/1805-1880 MHz</td> <td></td> </tr> <tr> <td>LTE Band 7: 2500-2570 MHz/2620-2690 MHz</td> <td></td> </tr> <tr> <td>LTE Band 8: 880-915 MHz/925-960 MHz</td> <td>23dBm</td> </tr> <tr> <td>LTE Band 20: 832-862 MHz/791-821 MHz</td> <td></td> </tr> <tr> <td>LTE Band 28: 703-748 MHz/758-803 MHz</td> <td></td> </tr> </table>	DSC1800: 1710-1765MHz/1805-1880MHz	30dBm	WCDMA Band 1: 1920-1980MHz/2110-2170MHz	24dBm	WCDMA Band 8: 880-915MHz/925-960MHz	24dBm	LTE Band 1: 1920-1980MHz/2110-2170MHz		LTE Band 3: 1710-1785 MHz/1805-1880 MHz		LTE Band 7: 2500-2570 MHz/2620-2690 MHz		LTE Band 8: 880-915 MHz/925-960 MHz	23dBm	LTE Band 20: 832-862 MHz/791-821 MHz		LTE Band 28: 703-748 MHz/758-803 MHz		<table border="1"> <tr> <td>LTE Band 38: 2570-2620 MHz/2570-2620 MHz</td> <td></td> </tr> <tr> <td>LTE Band 40: 2300-2400 MHz/2300-2400 MHz</td> <td></td> </tr> </table>	LTE Band 38: 2570-2620 MHz/2570-2620 MHz		LTE Band 40: 2300-2400 MHz/2300-2400 MHz	
Bluetooth: 2402MHz-2480MHz	8.18dBm																																									
Bluetooth LE: 2402MHz-2480MHz	2.94dBm																																									
Wifi: 2412MHz-2472MHz/2422MHz-2462MHz	16.15dBm																																									
Wifi: 5150MHz-5725MHz	19.92dBm																																									
Wifi: 5725MHz-5875MHz	13.27dBm																																									
NFC: 13.56MHz	-20.65dBuA/m																																									
GSM/900: 880-915MHz/925-960MHz	33dBm																																									
DSC1800: 1710-1765MHz/1805-1880MHz	30dBm																																									
WCDMA Band 1: 1920-1980MHz/2110-2170MHz	24dBm																																									
WCDMA Band 8: 880-915MHz/925-960MHz	24dBm																																									
LTE Band 1: 1920-1980MHz/2110-2170MHz																																										
LTE Band 3: 1710-1785 MHz/1805-1880 MHz																																										
LTE Band 7: 2500-2570 MHz/2620-2690 MHz																																										
LTE Band 8: 880-915 MHz/925-960 MHz	23dBm																																									
LTE Band 20: 832-862 MHz/791-821 MHz																																										
LTE Band 28: 703-748 MHz/758-803 MHz																																										
LTE Band 38: 2570-2620 MHz/2570-2620 MHz																																										
LTE Band 40: 2300-2400 MHz/2300-2400 MHz																																										
L'émetteur/récepteur exempt de licence contenu dans le présent appareil est conforme aux CNR d'Innovation, Sciences et Développement économique Canada applicables aux appareils radio exempts de																																										

88.15

131.48

617.05

	
Client	
GoDaddy	
Project	
501514-01-GDD GDD-Poynt C S&R	
Designer	Date
Lau	10/19/2021
LD Part Number	Revision # per Set
108416-02-GDD	06 0
Description	
Safety and Regulations	
Revision Description	
REV 06	
Notes	
1. ● PRINTS AS: Pantone Black C	
2.	
3.	
Nominal Length, Width, & Depth (if applicable)	
0.00 * 0.00 * 0.00 mm	
Net Blank Size (if applicable)	
617.05 * 131.48 mm	
Material Description	
80gsm Wood-free Paper Un-coated (0.09mm/3.7pt)	
Corrugation/Grain (if applicable)	
horizontal	
Print Instructions	
Offset 1C/Offset 1C	
Secondary Finishing	
/	
Rule (if applicable)	Adhesive
2285.9 mm	0 mm
Line Type Legend	
Construction (do not tool)	
Annotation (do not tool)	
Cut	
Crease	
Reverse crease	
PROPRIETARY and CONFIDENTIAL: The information contained in this drawing is the sole property of Lihua Direct, LLC. Any reproduction in part, or as a whole with the written permission of Lihua Direct, LLC, is prohibited.	

