

User Manual

Index

1.	General information	1
2.	Hardware:	1
2.1.	Connection.....	1
2.2.	Settings.....	1
2.3.	Assembly Diagramm	2
2.4.	Example for linking-up.....	2
3.	User Information	3
4.	Operational Description.....	4

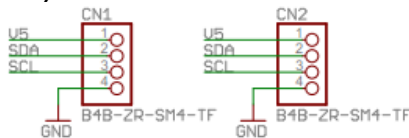
1. General information

The radio unit Mach-Wireless-SRC enables the operation of existing OT-lights from Dr.Mach GmbH & Co. KG in a wireless mode. The correct functioning of the wireless operation requires one radio unit installed in the light and a second radio unit installed inside the wall control housing.

2. Hardware:

2.1. Connection

The radio unit consists of one radio board 67150216 and one radio module 67150215. The radio module is connected to the plug J3 on the radio board. The radio board must be connected to the I2C bus with the 4-pole JST-connectors (CN1 and CN2) between the main control and the key pad. These connectors are assigned with the power supply +5V (Pin1, Pin4) and with one I2C – interface (Pin2 , Pin3).



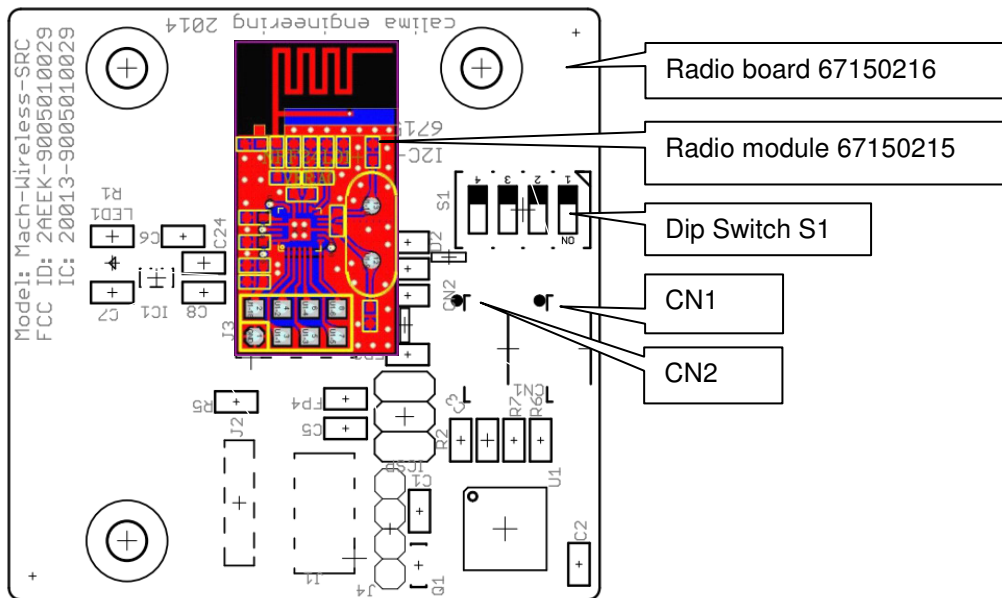
2.2. Settings

The setting of the WCom-Unit is done with dip-switch S1. The WCom-Unit is designed to enable communication only between lights (radio units) with the same WCom-Unit. Settings can be done for a maximum number of 16 different WCom-Unit's.

Dip – Switch S1 (WCom – Unit)

1	2	3	4	WCom-Unit
Off	Off	Off	Off	1
On	Off	Off	Off	2
Off	On	Off	Off	3
On	On	Off	Off	4
Off	Off	On	Off	5
On	Off	On	Off	6
Off	On	On	Off	7
On	On	On	Off	8
Off	Off	Off	On	9
On	Off	Off	On	10
Off	On	Off	On	11
On	On	Off	On	12
Off	Off	On	On	13
On	Off	On	On	14
Off	On	On	On	15
On	On	On	On	16

2.3. Assembly Diagramm



2.4. Example for linking-up

Light 1
WCom-Unit 5



Light 2
WCom-Unit 5



Wall panel
WCom-Unit 5



Radio link

All devices are set for the same WCom-Unit . This enables the communication between the lights and the wall control.

3. User Information

Changes or modifications not expressly approved by the party responsible for compliance could void the user's authority to operate the equipment.

This device complies with Part 15 of the FCC Rules and with Industry Canada license-exempt RSS standard(s). Operation is subject to the following two conditions: (1) this device may not cause harmful interference, and (2) this device must accept any interference received, including interference that may cause undesired operation.

Le présent appareil est conforme aux CNR d'Industrie Canada applicables aux appareils radio exempts de licence. L'exploitation est autorisée aux deux conditions suivantes : (1) l'appareil ne doit pas produire de brouillage, et (2) l'utilisateur de l'appareil doit accepter tout brouillage radioélectrique subi, même si le brouillage est susceptible d'en compromettre le fonctionnement.

Host will be labelled with:

Contains FCC ID: 2AEEK-9005010029

Contains IC: 20013-9005010029