



SOCIETÀ PER L'ELETTRONICA s.r.l.

Via di Monte Verde 33 – 00152 Rome – Italy.  
Website [www.linear-amplifier.com](http://www.linear-amplifier.com)

Tel. (39-6) 58209429  
e\_mail [info@linear-amplifier.com](mailto:info@linear-amplifier.com)

Fax (39-6) 58209647

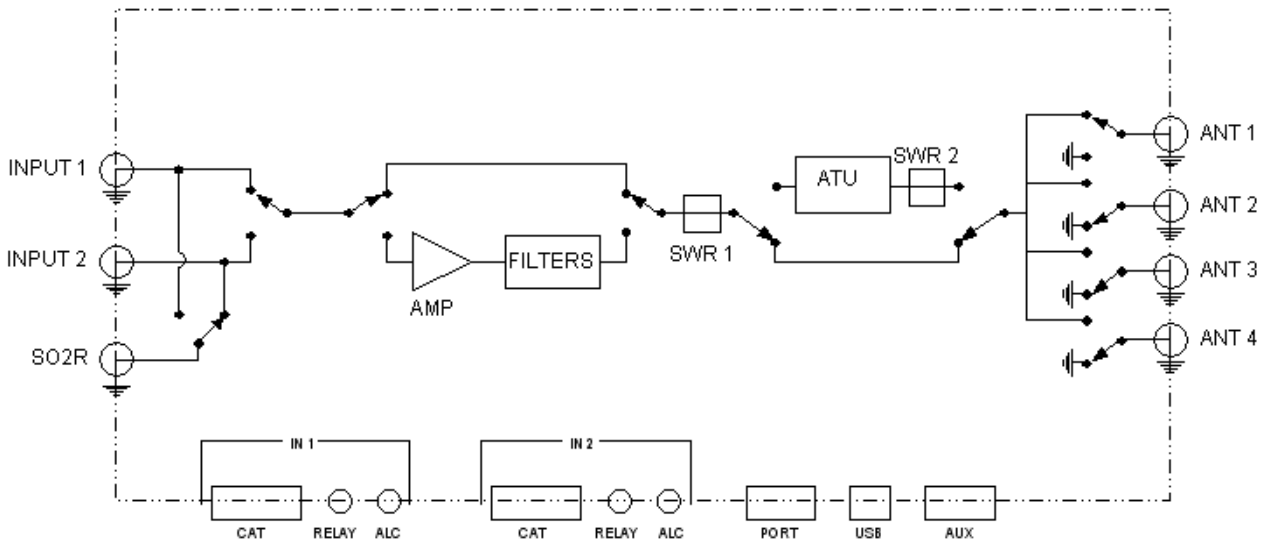
---

## **Exhibit 3: Block Diagram**

**External Radio Frequency  
Linear Amplifier  
Model Expert 1.5K-FA**



## Block Diagram



The position of the contacts, as shown in the diagram, is the situation of the linear amplifier in OFF state.

The linear amplifier can be used in the following ways:

- 1) OFF: Only two direct connections are actuated:
  - a) Between INPUT 1 and ANT 1.
  - b) Between INPUT 2 and SO2R.
- 2) STANDBY: All the functions are activated (band change, antenna change, tuner control) but the transmission is from the transceiver only.
- 3) OPERATE: All the functions are activated and the transmission is using the linear amplifier.