



SAR TEST REPORT

Report Reference No...... : **CTL1501140132-SAR**
FCC ID..... : **2AD3G-X4009**
 Compiled by
 (position+printed name+signature)...: File administrators Happy Guo
 Supervised by
 (position+printed name+signature)...: Test Engineer Jacky Chen
 Approved by
 (position+printed name+signature)...: Manager Tracy Qi
 Date of issue.....: Jan 29, 2015

Happy Guo

Jacky Chen

Tracy Qi

Representative Laboratory Name ..: **Shenzhen CTL Testing Technology Co., Ltd.**
 Address.....: Floor 1-A, Baisha Technology Park, No. 3011, Shahehexi Road, Nanshan, Shenzhen 518055 China.

Testing Laboratory Name: **The Testing and Technology Center for Industrial Products of Shenzhen Entry-Exit Inspection and Quarantine Bureau**
 Address.....: No.289, 8th Industry Road, Nanshan District, Shenzhen, Guangdong

Applicant's name.....: **United Telelinks (Bangalore) Limited**
 Address.....: NO 39/13, Appareddy palya Main Road, off 7th Main, HAL2nd stage, Indiranagar 2nd stage, Bangalore, India -560038

Test specification: **ANSI C95.1-1999**
 Standard: **47CFR §2.1093**
 TRF Originator.....: Shenzhen CTL Testing Technology Co., Ltd.
 Master TRF.....: Dated 2011-01

Shenzhen CTL Testing Technology Co., Ltd. All rights reserved.
 This publication may be reproduced in whole or in part for non-commercial purposes as long as the Shenzhen CTL Testing Technology Co., Ltd. is acknowledged as copyright owner and source of the material. Shenzhen CTL Testing Technology Co., Ltd. takes no responsibility for and will not assume liability for damages resulting from the reader's interpretation of the reproduced material due to its placement and context.

Test item description: handsets
 Trade Mark: /
Manufacturer.....: **New Explorer Telecom Co.Ltd**
 Model/Type reference.....: X4009
 Listed Models: /
 Operation Frequency..... GSM 850MHz/PCS1900MHz/WiFi2450/BT/UMTS Band II/V
 Modulation Type..... GSM(GMSK), Bluetooth(GFSK,8DPSK,II/4DQPSK), DSSS(CCK,DQPSK,DBPSK),OFDM(64QAM,16QAM,QPSK, BPSK), UMTS(QPSK)
 Rating: DC 3.70V
 Android version.....: Android 4.4.2
 Result.....: **PASS**

TEST REPORT

Test Report No. :	CTL1501140132-SAR	Jan 29, 2015
		Date of issue

Equipment under Test : handsets

Model /Type : X4009

Listed Models : /

Applicant : **United Telelinks (Bangalore) Limited**

Address : NO 39/13, Appareddy palya Main Road, off 7th Main,
HAL2nd stage, Indiranagar 2nd stage, Bangalore, India -
560038

Manufacturer : **New Explorer Telecom Co.Ltd**

Address : ROOM 5B, 5TH FLOOR, BLDG.1, FINANCE BASE, NO.8
KEFA RD, NANSHAN, SHENZHEN

Test Result:	PASS
---------------------	-------------

The test report merely corresponds to the test sample.

It is not permitted to copy extracts of these test result without the written permission of the test laboratory.

**** Modified History ****

Revision	Description	Issued Data	Remark
Revision 1.0	Initial Test Report Release	2015-01-29	Tracy Qi



Contents

1.	TEST STANDARDS.....	5
2.	SUMMARY.....	6
2.1.	General Remarks	6
2.2.	Product Description	6
2.3.	Statement of Compliance	7
2.4.	Equipment under Test	8
2.5.	EUT configuration	8
3.	TEST ENVIRONMENT.....	9
3.1.	Address of the test laboratory	9
3.2.	Test Facility	9
3.3.	Environmental conditions	9
3.4.	SAR Limits	9
3.5.	Equipments Used during the Test	10
4.	SAR Measurements System configuration.....	11
4.1.	SAR Measurement Set-up	11
4.2.	DASY5 E-field Probe System	12
4.3.	Phantoms	12
4.4.	Device Holder	13
4.5.	Scanning Procedure	13
4.6.	Data Storage and Evaluation	14
4.7.	Tissue Dielectric Parameters for Head and Body Phantoms	16
4.8.	Tissue equivalent liquid properties	16
4.9.	System Check	17
4.10.	SAR measurement procedure	18
4.11.	Power Reduction	25
5.	TEST CONDITIONS AND RESULTS.....	26
5.1.	Conducted Power Results	26
5.2.	Simultaneous TX SAR Considerations	30
5.3.	SAR Measurement Results	32
5.4.	SAR Measurement Variability	36
5.5.	General description of test procedures	36
5.6.	Measurement Uncertainty (300MHz-3GHz)	37
5.7.	System Check Results	42
5.8.	SAR Test Graph Results	48
6.	Calibration Certificate.....	58
6.1.	Probe Calibration Certificate	58
6.2.	D835V2 Dipole Calibration Certificate	69
6.3.	D1900V2 Dipole Calibration Certificate	77
6.4.	D2450V2 Dipole Calibration Certificate	85
6.5.	DAE4 Calibration Certificate	93
7.	Test Setup Photos.....	96
8.	External Photos of the EUT.....	101

1. TEST STANDARDS

The tests were performed according to following standards:

[IEEE Std C95.1, 1999](#): IEEE Standard for Safety Levels with Respect to Human Exposure to Radio Frequency Electromagnetic Fields, 3 KHz to 300 GHz. It specifies the maximum exposure limit of 1.6 W/kg as averaged over any 1 gram of tissue for portable devices being used within 20 cm of the user in the uncontrolled environment.

[IEEE Std 1528™-2013](#): IEEE Recommended Practice for Determining the Peak Spatial-Average Specific Absorption Rate (SAR) in the Human Head from Wireless Communications Devices: Measurement Techniques.

[KDB 447498 D01 Mobile Portable RF Exposure v05r02](#): Mobile and Portable Device RF Exposure Procedures and Equipment Authorization Policies

[KDB 865664 D01 SAR measurement 100 MHz to 6 GHz v02](#): SAR Measurement Requirements for 100 MHz to 6 GHz

[KDB 865664 D02 SAR Reporting v01](#): RF Exposure Compliance Reporting and Documentation Considerations

[KDB 248227](#): SAR measurement procedures for 802.112abg transmitters

[FCC Part 2.1093 Radiofrequency Radiation Exposure Evaluation](#): Portable Devices

[KDB 941225 D01 Test Reduction GSM GPRS EDGE V01](#): 3G SAR MEAUREMENT PROCEDURES

[KDB 941225 D06 Hot Spot SAR v02](#): SAR EVALUATION PROCEDURES FOR PORTABLE DEVICES WITH WIRELESS ROUTER CAPABILITIES

[KDB 648474 D04, Handset SAR v01r02](#): SAR Evaluation Considerations for Wireless Handsets



2. SUMMARY

2.1. General Remarks

Date of receipt of test sample	:	Jan 13, 2015
Testing commenced on	:	Jan 15, 2015
Testing concluded on	:	Jan 18, 2015

2.2. Product Description

The **United Telelinks (Bangalore) Limited's** Model: U1PRO or the "EUT" as referred to in this report; more general information as follows, for more details, refer to the user's manual of the EUT.

General Description	
Name of EUT	handsets
Brand	N/A
Model	X4009
Hardware version	/
Software version	/
Device category	Portable Device
Exposure category	General population/uncontrolled environment
EUT Type	Production Unit
Rated Voltage	DC 3.70 Battery
Hotspot	Supported, power not reduced when Hotspot open
<i>The EUT is GSM850/900/DCS1800/PCS1900, UMTS Band II,V mobile phone. the mobile phone is intended for speech and Multimedia Message Service (MMS) transmission. It is equipped with GPRS class 12 for GSM850, PCS1900, UMTS Band II, Band V and Bluetooth, WiFi, and camera functions. For more information see the following datasheet</i>	

Technical Characteristics	
2G	
Support Networks	GSM, GPRS
Support Band	GSM850/PCS1900
Uplink Frequency	GSM/GPRS 850: 824~849MHz GSM/GPRS 1900: 1850~1910MHz
Downlink Frequency	GSM/GPRS 850: 869~894MHz GSM/GPRS 1900: 1930~1990MHz
Type of Modulation	GMSK
Antenna Type	Internal Antenna
GPRS Class	Class 12
HSDPA UE Category	6
HSUPA UE Category	6
GSM Release Version	R99
GPRS operation mode	Class B
DTM Mode	Not Supported
3G	
Support Networks	UMTS
Support Band	UMTS Band II, Band V
Type of Modulation	QPSK
Antenna Type	Internal Antenna
WiFi	
Support Standards	802.11b, 802.11g, 802.11n
Frequency Range	2412-2462MHz for 11b/g/n(HT20) 2422-2452MHz for 11n(HT40)
Type of Modulation	CCK, OFDM, QPSK, BPSK, 16QAM, 64QAM
Data Rate	1-11Mbps, 6-54Mbps, up to 150Mbps
Quantity of Channels	11 for 11b/g/n(HT20), 7 for 11n(HT40)
Channel Separation	5MHz

Antenna Type	Internal Antenna
Bluetooth	
Bluetooth Version	V3.0+EDR/V4.0
Frequency Range	2402-2480MHz
Data Rate	1Mbps, 2Mbps, 3Mbps
Modulation	GFSK, $\pi/4$ QDPSK, 8DPSK
Quantity of Channels	79/40
Channel Separation	1MHz/2MHz
Antenna Type	Internal Antenna

2.3. Statement of Compliance

The maximum of results of SAR found during testing for X4009 are follows:

Head SAR Configuration

Mode	Test Position	Channel /Frequency(MHz)	Limit SAR _{1g} 1.6 W/kg	
			Measured SAR _{1g} (W/kg)	Reported SAR _{1g} (W/kg)
GSM 850	Left/Cheek	190/836.6	0.388	0.415
GSM 1900	Left/Cheek	661/1880.0	0.375	0.458
UMTS Band II	Left/Tilt	9440/1880.0	0.462	0.545
UMTS Band V	Left/Cheek	4183/836.6	0.428	0.437
WiFi(802.11b)	Right/Cheek	6/2437	0.560	0.627

Hotspot Configuration

Mode	Test Position	Channel /Frequency(MHz)	Limit SAR _{1g} 1.6 W/kg	
			Measured SAR _{1g} (W/kg)	Reported SAR _{1g} (W/kg)
GPRS 850, 4 Txslots	Bottom Side	190/836.6	0.692	0.865
GPRS 1900, 4 Txslots	Bottom Side	661/1880.0	0.622	0.659
UMTS Band II	Bottom Side	9440/1880.0	0.897	1.058
UMTS Band V	Bottom Side	4183/836.6	0.850	0.867
WiFi(802.11b)	Rear Side	6/2437	0.305	0.342

The SAR values found for handsets are below the maximum recommended levels of 1.6W/Kg as averaged over any 1g tissue according to the ANSI C95.1-1999.

For body worn operation, this device has been tested and meets FCC RF exposure guidelines when used with any accessory that contains no metal and which provides a minimum separation distance of 10mm between this device and the body of the user. User of other accessories may not ensure compliance with FCC RF exposure guidelines.

The EUT battery must be fully charged and checked periodically during the test to ascertain iniform power output.

Simultaneous transmission SAR for WiFi and GSM/UMTS (Hotspot Open)

Test Position	SAR Type	GSM850 Reported SAR _{1-g} (W/Kg)	GSM1900 Reported SAR _{1-g} (W/Kg)	UMTS Band II Reported SAR _{1-g} (W/Kg)	UMTS Band V Reported SAR _{1-g} (W/Kg)	WiFi Reported SAR _{1-g} (W/Kg)	MAX. Σ SAR _{1-g} (W/Kg)	SAR _{1-g} Limit (W/Kg)	Peak location separation ratio	Simut. Meas. Required
Left/Cheek	1-g	0.415	0.458	0.455	0.437	0.545	1.003	1.6	no	no
Left/Tilt	1-g	0.375	0.338	0.545	0.365	0.505	1.050	1.6	no	no
Right/Cheek	1-g	0.367	0.359	0.505	0.427	0.627	1.132	1.6	no	no
Right/Tilt	1-g	0.304	0.276	0.487	0.326	0.558	1.045	1.6	no	no
Rear Side	1-g	0.865	0.659	0.918	0.867	0.342	1.260	1.6	no	no
Front Side	1-g	0.636	0.629	0.799	0.783	0.305	1.104	1.6	no	no
Left Side	1-g	0.588	0.352	0.366	0.536	0.122	0.710	1.6	no	no
Right Side	1-g	0.370	0.134	0.135	0.355	0.264	0.634	1.6	no	no
Top Side	1-g	N/A	N/A	N/A	N/A	0.278	0.278	1.6	no	no
Bottom Side	1-g	0.826	0.597	1.058	0.783	N/A	1.058	1.6	no	no

Simultaneous transmission SAR for Bluetooth and GSM/UMTS (Hotspot Open)

Test Position	SAR Type	GSM850 Reported SAR _{1-g} (W/Kg)	GSM1900 Reported SAR _{1-g} (W/Kg)	UMTS Band II Reported SAR _{1-g} (W/Kg)	UMTS Band V Reported SAR _{1-g} (W/Kg)	Bluetooth Estimated SAR _{1-g} (W/Kg)	MAX. ΣSAR _{1-g} (W/Kg)	SAR _{1-g} Limit (W/Kg)	Peak location separation ratio	Simut. Meas. Required
Left/Cheek	1-g	0.415	0.458	0.455	0.437	0.209	0.667	1.6	no	no
Left/Tilt	1-g	0.375	0.338	0.545	0.365	0.209	0.754	1.6	no	no
Right/Cheek	1-g	0.367	0.359	0.505	0.427	0.209	0.714	1.6	no	no
Right/Tilt	1-g	0.304	0.276	0.487	0.326	0.209	0.696	1.6	no	no
Rear Side	1-g	0.865	0.659	0.918	0.867	0.105	1.023	1.6	no	no
Front Side	1-g	0.636	0.629	0.799	0.783	0.105	0.904	1.6	no	no
Left Side	1-g	0.588	0.352	0.366	0.536	0.105	0.693	1.6	no	no
Right Side	1-g	0.370	0.134	0.135	0.355	0.105	0.475	1.6	no	no
Top Side	1-g	N/A	N/A	N/A	N/A	0.105	0.105	1.6	no	no
Bottom Side	1-g	0.826	0.597	1.058	0.783	N/A	1.058	1.6	no	no

Note:1. The WiFi and BT share same antenna, so cannot transmit at same time.

2.The value with block color is the maximum values of standalone

3. The value with blue color is the maximum values of ΣSAR_{1-g}

2.4. Equipment under Test

Power supply system utilised

Power supply voltage	:	<input type="radio"/> 120V / 60 Hz	<input type="radio"/> 115V / 60Hz
		<input type="radio"/> 12 V DC	<input type="radio"/> 24 V DC
		<input checked="" type="radio"/> Other (specified in blank below)	

DC 3.70 V

2.5. EUT configuration

The following peripheral devices and interface cables were connected during the measurement:

● - supplied by the manufacturer

○ - supplied by the lab

<input type="radio"/> Power Cable	Length (m) :	/
	Shield :	/
	Detachable :	/
<input type="radio"/> Multimeter	Manufacturer :	/
	Model No. :	/

Battery information

Brand Name: MGT

Model No.:Strong 4.0

Capacity: 1800mAh

Rated Voltage: 3.70V

Charge Limit: 4.2V±0.05V

Manufacturer: NEW EXPLORER TELECOM CO.LTD

3. TEST ENVIRONMENT

3.1. Address of the test laboratory

The Testing and Technology Center for Industrial Products of Shenzhen Entry-Exit Inspection and Quarantine Bureau

No.289, 8th Industry Road, Nanshan District, Shenzhen, Guangdong, China

The sites are constructed in conformance with the requirements of ANSI C63.7, ANSI C63.4 (2009) and CISPR Publication 22.

3.2. Test Facility

The test facility is recognized, certified, or accredited by the following organizations:

CNAS-Lab Code: L2872

The Testing and Technology Center for Industrial Products of Shenzhen Entry-Exit Inspection and Quarantine Bureau has been assessed and proved to be in compliance with CNAS-CL01 Accreditation Criteria for Testing and Calibration Laboratories (identical to ISO/IEC 17025: 2005 General Requirements) for the Competence of Testing and Calibration Laboratories, Date of Registration: May 11, 2014. Valid time is until May 12, 2017.

3.3. Environmental conditions

During the measurement the environmental conditions were within the listed ranges:

Temperature:	18-25 ° C
Humidity:	40-65 %
Atmospheric pressure:	950-1050mbar

3.4. SAR Limits

EXPOSURE LIMITS	FCC Limit (1g Tissue)	
	SAR (W/kg)	
	(General Population /Uncontrolled Exposure Environment)	(Occupational /Controlled Exposure Environment)
Spatial Average (averaged over the whole body)	0.08	0.4
Spatial Peak (averaged over any 1 g of tissue)	1.60	8.0
Spatial Peak (hands/wrists/feet/ankles averaged over 10 g)	4.0	20.0

Population/Uncontrolled Environments are defined as locations where there is the exposure of individual who have no knowledge or control of their exposure.

Occupational/Controlled Environments are defined as locations where there is exposure that may be incurred by people who are aware of the potential for exposure (i.e. as a result of employment or occupation).

3.5. Equipments Used during the Test

Test Equipment	Manufacturer	Type/Model	Serial Number	Calibration	
				Last Calibration	Calibration Interval
Data Acquisition Electronics DAEx	SPEAG	DAE4	1315	2014/07/22	1
E-field Probe	SPEAG	ES3DV3	3292	2014/08/15	1
System Validation Dipole D835V2	SPEAG	D835V2	4d134	2014/07/24	3
System Validation Dipole 1900V2	SPEAG	D1900V2	5d072	2013/12/12	3
System Validation Dipole 2450V2	SPEAG	D2450V2	884	2014/09/01	3
Network analyzer	Agilent	8753E	US37390562	2014/03/18	1
Universal Radio Communication Tester	ROHDE & SCHWARZ	CMU200	112012	2014/10/22	1
Dielectric Probe Kit	Agilent	85070E	US44020288	/	/
Power meter	Agilent	E4417A	GB41292254	2014/10/22	1
Power sensor	Agilent	8481H	MY41095360	2014/10/22	1
Signal generator	IFR	2032	203002/100	2014/10/22	1
Amplifier	AR	75A250	302205	2014/10/22	1

Note:

- 1) Per KDB865664D01 requirements for dipole calibration, the test laboratory has adopted three year extended calibration interval. Each measured dipole is expected to evaluate with following criteria at least on annual interval.
 - a) There is no physical damage on the dipole;
 - b) System check with specific dipole is within 10% of calibrated values;
 - c) The most recent return-loss results, measured at least annually, deviates by no more than 20% from the previous measurement;
 - d) The most recent measurement of the real or imaginary parts of the impedance, measured at least annually is within 50 Ω from the previous measurement.
- 2) Network analyzer probe calibration against air, distilled water and a shorting block performed before measuring liquid parameters.

Justification of the extended calibration Dipole 1900V2

Head						
Date of Measurement	Return-Loss (dB)	Delta (%)	Real Impedance (ohm)	Delta (ohm)	Imaginary Impedance (ohm)	Delta (ohm)
December 12, 2013	-30.0		50.3		3.17j	
December 10, 2014	-28.8	4%	48.2	2.1	1.99j	1.18

Body						
Date of Measurement	Return-Loss (dB)	Delta (%)	Real Impedance (ohm)	Delta (ohm)	Imaginary Impedance (ohm)	Delta (ohm)
December 12, 2013	-27.7		48.8		3.92j	
December 10, 2014	-29.4	6.1%	46.5	2.3	2.86j	1.06

The return loss is < -20dB, and within 20% of prior calibration; the impedance is within 5 ohm of prior calibration. Therefore the verification result should support extended calibration.

4. SAR Measurements System configuration

4.1. SAR Measurement Set-up

The DASY5 system for performing compliance tests consists of the following items:

A standard high precision 6-axis robot (Stäubli RX family) with controller and software. An arm extension for accommodating the data acquisition electronics (DAE).

A dosimetric probe, i.e. an isotropic E-field probe optimized and calibrated for usage in tissue simulating liquid. The probe is equipped with an optical surface detector system.

A data acquisition electronic (DAE) which performs the signal amplification, signal multiplexing, AD-conversion, offset measurements, mechanical surface detection, collision detection, etc. The unit is battery powered with standard or rechargeable batteries. The signal is optically transmitted to the EOC.

A unit to operate the optical surface detector which is connected to the EOC.

The Electro-Optical Coupler (EOC) performs the conversion from the optical into a digital electric signal of the DAE. The EOC is connected to the DASY5 measurement server.

The DASY5 measurement server, which performs all real-time data evaluation for field measurements and surface detection, controls robot movements and handles safety operation. A computer operating Windows 2003.

DASY5 software and SEMCAD data evaluation software.

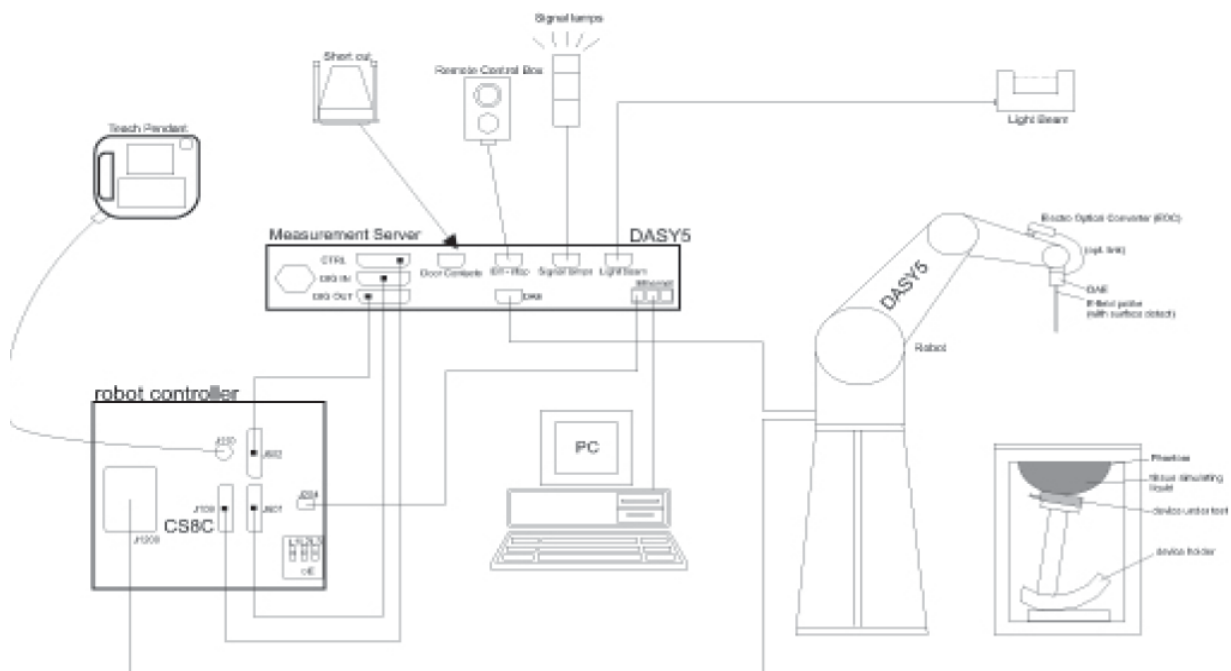
Remote control with teach panel and additional circuitry for robot safety such as warning lamps, etc.

The generic twin phantom enabling the testing of left-hand and right-hand usage.

The device holder for handheld mobile phones.

Tissue simulating liquid mixed according to the given recipes.

System validation dipoles allowing to validate the proper functioning of the system.



4.2. DASY5 E-field Probe System

The SAR measurements were conducted with the dosimetric probe ES3DV3 (manufactured by SPEAG), designed in the classical triangular configuration and optimized for dosimetric evaluation.

Probe Specification

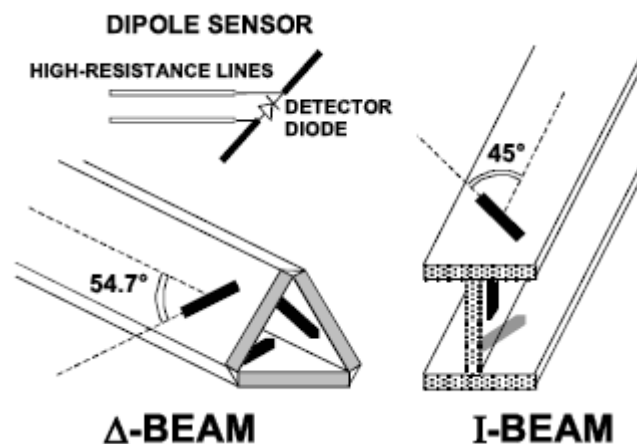
Construction	Symmetrical design with triangular core Interleaved sensors Built-in shielding against static charges PEEK enclosure material (resistant to organic solvents, e.g., DGBE)
Calibration	ISO/IEC 17025 calibration service available.
Frequency	10 MHz to 4 GHz; Linearity: ± 0.2 dB (30 MHz to 4 GHz)
Directivity	± 0.2 dB in HSL (rotation around probe axis) ± 0.3 dB in tissue material (rotation normal to probe axis)
Dynamic Range	5 μ W/g to > 100 mW/g; Linearity: ± 0.2 dB
Dimensions	Overall length: 337 mm (Tip: 20 mm) Tip diameter: 3.9 mm (Body: 12 mm) Distance from probe tip to dipole centers: 2.0 mm
Application	General dosimetry up to 4 GHz Dosimetry in strong gradient fields Compliance tests of mobile phones
Compatibility	DASY3, DASY4, DASY52 SAR and higher, EASY4/MRI



Isotropic E-Field Probe

The isotropic E-Field probe has been fully calibrated and assessed for isotropicity, and boundary effect within a controlled environment. Depending on the frequency for which the probe is calibrated the method utilized for calibration will change.

The E-Field probe utilizes a triangular sensor arrangement as detailed in the diagram below:



4.3. Phantoms

The phantom used for all tests i.e. for both system checks and device testing, was the twin-headed "SAM Phantom", manufactured by SPEAG. The SAM twin phantom is a fiberglass shell phantom with 2mm shell thickness (except the ear region, where shell thickness increases to 6mm). System checking was performed using the flat section, whilst Head SAR tests used the left and right head

profile sections. Body SAR testing also used the flat section between the head profiles.

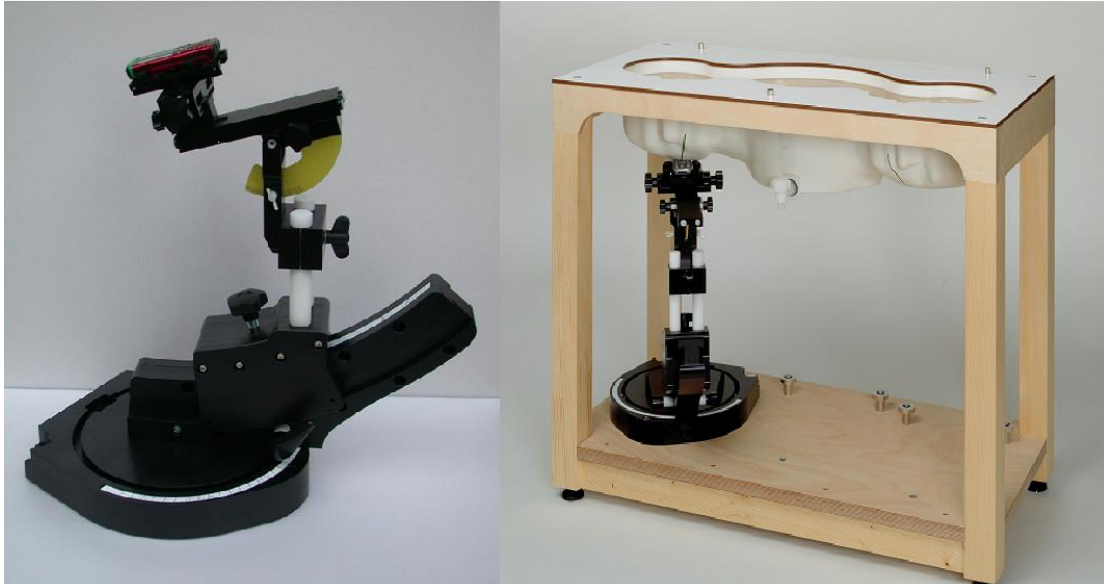


SAM Twin Phantom

4.4. Device Holder

The device was placed in the device holder (illustrated below) that is supplied by SPEAG as an integral part of the DASY system.

The DASY device holder is designed to cope with the different positions given in the standard. It has two scales for device rotation (with respect to the body axis) and device inclination (with respect to the line between the ear reference points). The rotation centers for both scales is the ear reference point (ERP). Thus the device needs no repositioning when changing the angles.



Device holder supplied by SPEAG

4.5. Scanning Procedure

The DASY5 installation includes predefined files with recommended procedures for measurements and validation. They are read-only document files and destined as fully defined but unmeasured masks. All test positions (head or body-worn) are tested with the same configuration of test steps differing only in the grid definition for the different test positions.

The “reference” and “drift” measurements are located at the beginning and end of the batch process. They measure the field drift at one single point in the liquid over the complete procedure. The indicated drift is mainly the variation of the DUT’s output power and should vary max. $\pm 5\%$.

The “surface check” measurement tests the optical surface detection system of the DASY5 system by repeatedly detecting the surface with the optical and mechanical surface detector and comparing the results. The output gives the detecting heights of both systems, the difference between the two systems and the standard deviation of the detection repeatability. Air bubbles or refraction in the liquid due to separation of the sugar-water mixture gives poor repeatability (above ± 0.1 mm). To prevent wrong results tests are only executed when the liquid is free of air bubbles. The difference between the optical surface detection and the actual surface depends on the probe and is specified with each probe (It does not depend on the surface reflectivity or the probe angle to the surface within $\pm 30^\circ$.)

Area Scan

The Area Scan is used as a fast scan in two dimensions to find the area of high field values before running a detailed measurement around the hot spot. Before starting the area scan a grid spacing of 15 mm x 15 mm is set. During the scan the distance of the probe to the phantom remains unchanged. After finishing area scan, the field maxima within a range of 2 dB will be ascertained.

Zoom Scan

Zoom Scans are used to estimate the peak spatial SAR values within a cubic averaging volume containing 1 g and 10 g of simulated tissue. The default Zoom Scan is done by 7x7x7 points within a cube whose base is centered around the maxima found in the preceding area scan.

Spatial Peak Detection

The procedure for spatial peak SAR evaluation has been implemented and can determine values of masses of 1g and 10g, as well as for user-specific masses. The DASY5 system allows evaluations that combine measured data and robot positions, such as: • maximum search • extrapolation • boundary correction • peak search for averaged SAR. During a maximum search, global and local maxima searches are automatically performed in 2-D after each Area Scan measurement with at least 6 measurement points. It is based on the evaluation of the local SAR gradient calculated by the Quadratic Shepard’s method. The algorithm will find the global maximum and all local maxima within -2 dB of the global maxima for all SAR distributions.

Extrapolation routines are used to obtain SAR values between the lowest measurement points and the inner phantom surface. The extrapolation distance is determined by the surface detection distance and the probe sensor offset. Several measurements at different distances are necessary for the extrapolation. Extrapolation routines require at least 10 measurement points in 3-D space. They are used in the Zoom Scan to obtain SAR values between the lowest measurement points and the inner phantom surface. The routine uses the modified Quadratic Shepard’s method for extrapolation. For a grid using 7x7x7 measurement points with 5mm resolution amounting to 343 measurement points, the uncertainty of the extrapolation routines is less than 1% for 1g and 10g cubes.

A Z-axis scan measures the total SAR value at the x-and y-position of the maximum SAR value found during the cube 7x7x7 scan. The probe is moved away in z-direction from the bottom of the SAM phantom in 5mm steps.

Table 1: Area and Zoom Scan Resolutions per FCC KDB Publication 865664 D01

Frequency	Maximum Area Scan Resolution (mm) ($\Delta x_{\text{area}}, \Delta y_{\text{area}}$)	Maximum Zoom Scan Resolution (mm) ($\Delta x_{\text{zoom}}, \Delta y_{\text{zoom}}$)	Maximum Zoom Scan Spatial Resolution (mm) $\Delta z_{\text{zoom}}(n)$	Minimum Zoom Scan Volume (mm) (x,y,z)
≤ 2 GHz	≤ 15	≤ 8	≤ 5	≥ 30
2-3 GHz	≤ 12	≤ 5	≤ 5	≥ 30
3-4 GHz	≤ 12	≤ 5	≤ 4	≥ 28
4-5 GHz	≤ 10	≤ 4	≤ 3	≥ 25
5-6 GHz	≤ 10	≤ 4	≤ 2	≥ 22

4.6. Data Storage and Evaluation

Data Storage

The DASY5 software stores the acquired data from the data acquisition electronics as raw data (in microvolt readings from the probe sensors), together with all necessary software parameters for the data evaluation (probe calibration data, liquid parameters and device frequency and modulation data) in measurement files with the extension “.DA4”. The software evaluates the desired unit and format for output each time the data is visualized or exported. This allows verification of the complete software setup even after the measurement and allows correction of incorrect parameter settings. For example, if a measurement has been performed with a wrong crest factor parameter in the device setup, the parameter can be corrected afterwards and the data can be re-evaluated.

The measured data can be visualized or exported in different units or formats, depending on the selected probe type ([V/m], [A/m], [°C], [mW/g], [mW/cm²], [dBrel], etc.). Some of these units are not available in certain situations or show meaningless results, e.g., a SAR output in a lossless media will always be zero. Raw data can also be exported to perform the evaluation with other software packages.

Data Evaluation

The SEMCAD software automatically executes the following procedures to calculate the field units from the microvolt readings at the probe connector. The parameters used in the evaluation are stored in the configuration modules of the software:

Probe parameters:	- Sensitivity	Normi, ai0, ai1, ai2
	- Conversion factor	ConvFi
	- Diode compression point	Dcpi
Device parameters:	- Frequency	f
	- Crest factor	cf
Media parameters:	- Conductivity	σ
	- Density	ρ

These parameters must be set correctly in the software. They can be found in the component documents or they can be imported into the software from the configuration files issued for the DASY5 components. In the direct measuring mode of the multimeter option, the parameters of the actual system setup are used. In the scan visualization and export modes, the parameters stored in the corresponding document files are used.

The first step of the evaluation is a linearization of the filtered input signal to account for the compression characteristics of the detector diode. The compensation depends on the input signal, the diode type and the DC-transmission factor from the diode to the evaluation electronics. If the exciting field is pulsed, the crest factor of the signal must be known to correctly compensate for peak power. The formula for each channel can be given as:

$$V_i = U_i + U_i^2 \cdot \frac{cf}{dcp_i}$$

With	V_i	= compensated signal of channel i	(i = x, y, z)
	U_i	= input signal of channel i	(i = x, y, z)
	cf	= crest factor of exciting field	(DASY parameter)
	dcp _i	= diode compression point	(DASY parameter)

From the compensated input signals the primary field data for each channel can be evaluated:

$$\text{E - fieldprobes : } E_i = \sqrt{\frac{V_i}{\text{Norm}_i \cdot \text{ConvF}}}$$

$$\text{H - fieldprobes : } H_i = \sqrt{V_i} \cdot \frac{a_{i0} + a_{i1}f + a_{i2}f^2}{f}$$

With	V_i	= compensated signal of channel i	(i = x, y, z)
	Norm_i	= sensor sensitivity of channel i	(i = x, y, z)
		[mV/(V/m) ²] for E-field Probes	
	ConvF	= sensitivity enhancement in solution	
	a_{ij}	= sensor sensitivity factors for H-field probes	
	f	= carrier frequency [GHz]	
	E_i	= electric field strength of channel i in V/m	
	H_i	= magnetic field strength of channel i in A/m	

The RSS value of the field components gives the total field strength (Hermitian magnitude):

$$E_{tot} = \sqrt{E_x^2 + E_y^2 + E_z^2}$$

The primary field data are used to calculate the derived field units.

$$\text{SAR} = E_{tot}^2 \cdot \frac{\sigma}{\rho \cdot 1'000}$$

with	SAR	= local specific absorption rate in mW/g
	E_{tot}	= total field strength in V/m
	σ	= conductivity in [mho/m] or [Siemens/m]
	ρ	= equivalent tissue density in g/cm ³

Note that the density is normally set to 1 (or 1.06), to account for actual brain density rather than the density of the simulation liquid.

4.7. Tissue Dielectric Parameters for Head and Body Phantoms

The liquid is consisted of water,salt,Glycol,Sugar,Preventol and Cellulose.The liquid has previously been proven to be suited for worst-case.It's satisfying the latest tissue dielectric parameters requirements proposed by the KDB865664.

The composition of the tissue simulating liquid

Ingredient (% Weight)	835MHz		1900MHz		1750 MHz		2450MHz		2600MHz	
	Head	Body	Head	Body	Head	Body	Head	Body	Head	Body
Water	41.45	52.5	55.242	69.91	55.782	69.82	62.7	73.2	62.3	72.6
Salt	1.45	1.40	0.306	0.13	0.401	0.12	0.50	0.10	0.20	0.10
Sugar	56	45.0	0.00	0.00	0.00	0.00	0.00	0.00	0.00	0.00
Preventol	0.10	0.10	0.00	0.00	0.00	0.00	0.00	0.00	0.00	0.00
HEC	1.00	1.00	0.00	0.00	0.00	0.00	0.00	0.00	0.00	0.00
DGBE	0.00	0.00	44.452	29.96	43.817	30.06	36.8	26.7	37.5	27.3

Target Frequency (MHz)	Head		Body	
	ϵ_r	$\sigma(S/m)$	ϵ_r	$\sigma(S/m)$
150	52.3	0.76	61.9	0.80
300	45.3	0.87	58.2	0.92
450	43.5	0.87	56.7	0.94
835	41.5	0.90	55.2	0.97
900	41.5	0.97	55.0	1.05
915	41.5	0.98	55.0	1.06
1450	40.5	1.20	54.0	1.30
1610	40.3	1.29	53.8	1.40
1800-2000	40.0	1.40	53.3	1.52
2450	39.2	1.80	52.7	1.95
3000	38.5	2.40	52.0	2.73
5800	35.3	5.27	48.2	6.00

4.8. Tissue equivalent liquid properties

Dielectric performance of Head and Body tissue simulating liquid

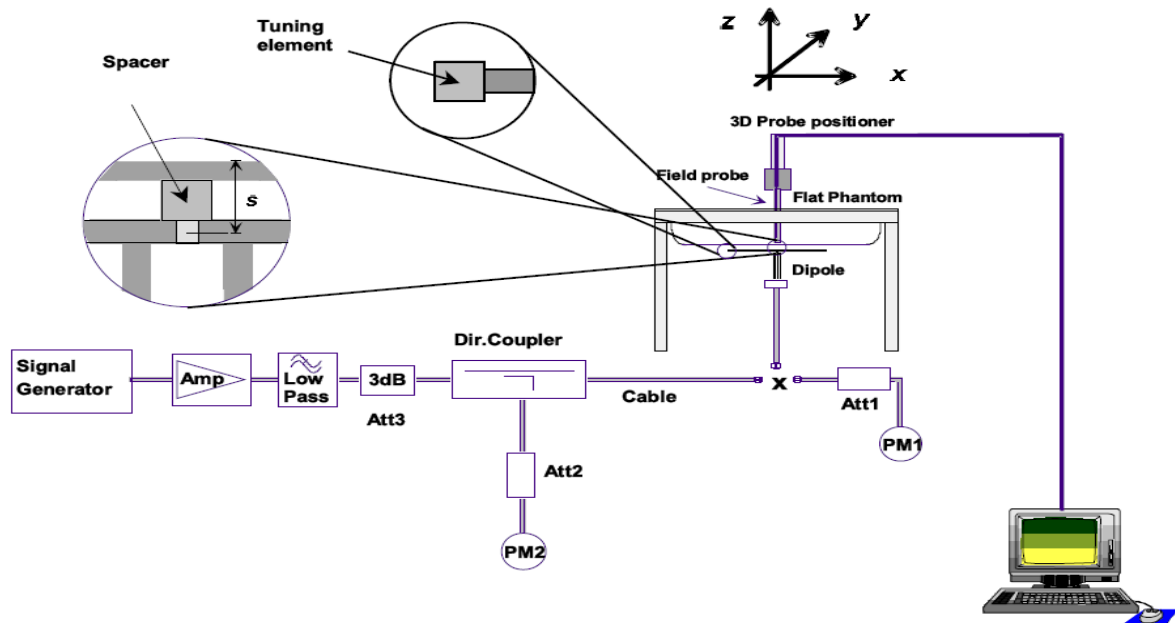
Tissue Type	Measured Frequency (MHz)	Target Tissue		Measured Tissue				Liquid Temp.	Test Data
		ϵ_r	σ	ϵ_r	Dev. %	σ	Dev. %		
850H	824	41.56	0.90	41.80	0.58%	0.93	3.33%	22 degree	2015-01-15
	835	41.50	0.90	41.70	0.48%	0.92	2.22%		
	837	41.50	0.90	41.70	0.48%	0.93	3.33%		
	849	41.50	0.92	41.40	-0.24%	0.94	2.17%		
1900H	1850	40.00	1.40	41.10	2.75%	1.42	1.43%	22 degree	2015-01-16
	1880	40.00	1.40	41.20	3.00%	1.44	2.86%		
	1900	40.00	1.40	40.50	1.25%	1.44	2.86%		
	1910	40.00	1.40	40.00	0.00%	1.44	2.86%		
2450H	2412	39.27	1.77	40.10	2.11%	1.72	-2.82%	22 degree	2015-01-17
	2437	39.22	1.79	40.10	2.24%	1.75	-2.23%		
	2450	39.20	1.80	40.30	2.81%	1.79	-0.56%		
	2462	39.18	1.81	40.00	2.09%	1.79	-1.10%		
850B	824	55.24	0.97	53.90	-2.43%	0.99	2.06%	22 degree	2015-01-16
	835	55.20	0.97	53.90	-2.36%	1.00	3.09%		
	837	55.19	0.97	54.20	-1.79%	1.00	3.09%		
	849	55.16	0.99	54.50	-1.20%	1.00	1.01%		
1900B	1850	53.30	1.52	53.60	0.56%	1.49	-1.97%	22 degree	2015-01-17
	1880	53.30	1.52	53.50	0.38%	1.51	-0.66%		
	1900	53.30	1.52	53.50	0.38%	1.52	0.00%		
	1910	53.30	1.52	53.20	-0.19%	1.53	0.66%		
2450B	2412	52.75	1.91	52.90	0.28%	1.96	2.62%	22 degree	2015-01-18
	2437	52.72	1.94	52.90	0.34%	1.98	2.06%		
	2450	52.70	1.95	52.80	0.19%	1.98	1.54%		
	2462	52.68	1.97	52.70	0.04%	2.01	2.03%		

4.9. System Check

The purpose of the system check is to verify that the system operates within its specifications at the device test frequency. The system check is a simple check of repeatability to make sure that the system works correctly at the time of the compliance test;

System check results have to be equal or near the values determined during dipole calibration with the relevant liquids and test system ($\pm 10\%$).

System check is performed regularly on all frequency bands where tests are performed with the DASY5 system.



The output power on dipole port must be calibrated to 30 dBm (1000mW) before dipole is connected.

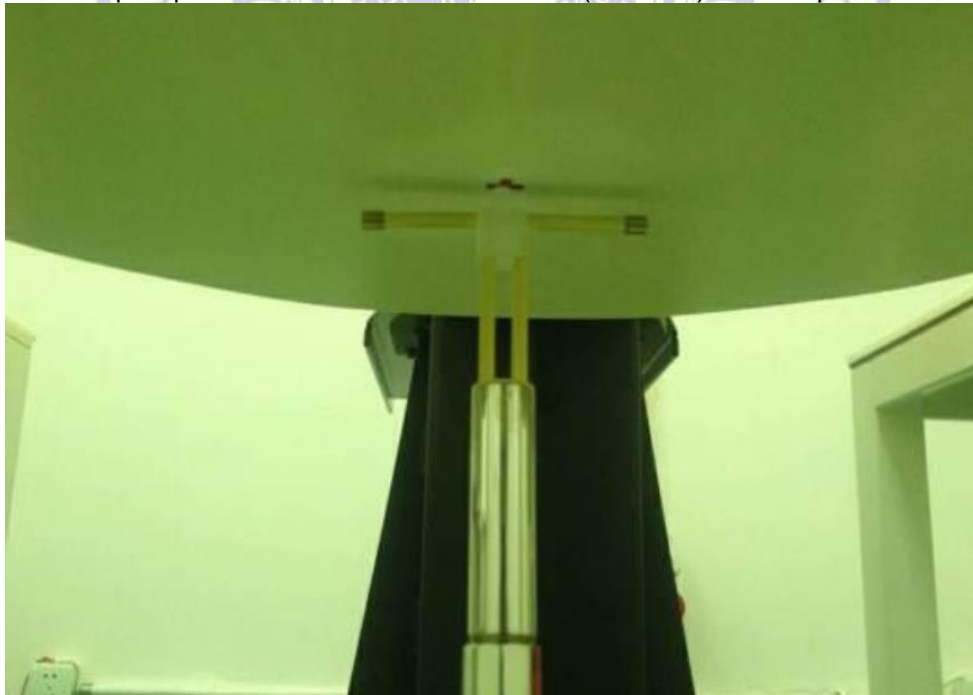


Photo of Dipole Setup

System Validation of Head

Measurement is made at temperature 22.0 °C and relative humidity 55%.							
Liquid temperature during the test: 22.0°C							
Measurement Date: 835MHz Jan 15 th , 2015;1900MHz Jan 16 th ;2015, 2450MHz Jan 17 th ;2015							
Verification results	Frequency (MHz)	Target value (W/kg)		Measured value (W/kg)		Deviation	
		10 g Average	1 g Average	10 g Average	1 g Average	10 g Average	1 g Average
	835	6.27	9.62	6.41	10.00	2.23%	3.95%
	1900	20.20	38.30	20.50	38.60	1.49%	0.78%
2450	24.60	52.10	25.40	54.20	3.25%	4.03%	

System Validation of Body

Measurement is made at temperature 22.0 °C and relative humidity 55%.							
Liquid temperature during the test: 22.0°C							
Measurement Date: 835MHz Jan 16 th , 2015;1900MHz Jan 17 th ;2015, 2450MHz Jan 18 th ;2015							
Verification results	Frequency (MHz)	Target value (W/kg)		Measured value (W/kg)		Deviation	
		10 g Average	1 g Average	10 g Average	1 g Average	10 g Average	1 g Average
	835	6.50	9.77	6.26	10.10	-3.69%	3.38%
	1900	21.00	39.90	20.90	38.70	-0.48%	-3.01%
2450	24.20	51.60	24.00	49.10	-0.83%	-4.84%	

4.10. SAR measurement procedure

4.10.1 Tests to be performed

In order to determine the highest value of the peak spatial-average SAR of a handset, all device positions, configurations and operational modes shall be tested for each frequency band according to steps 1 to 3 below. A flowchart of the test process is shown in Picture 11.1.

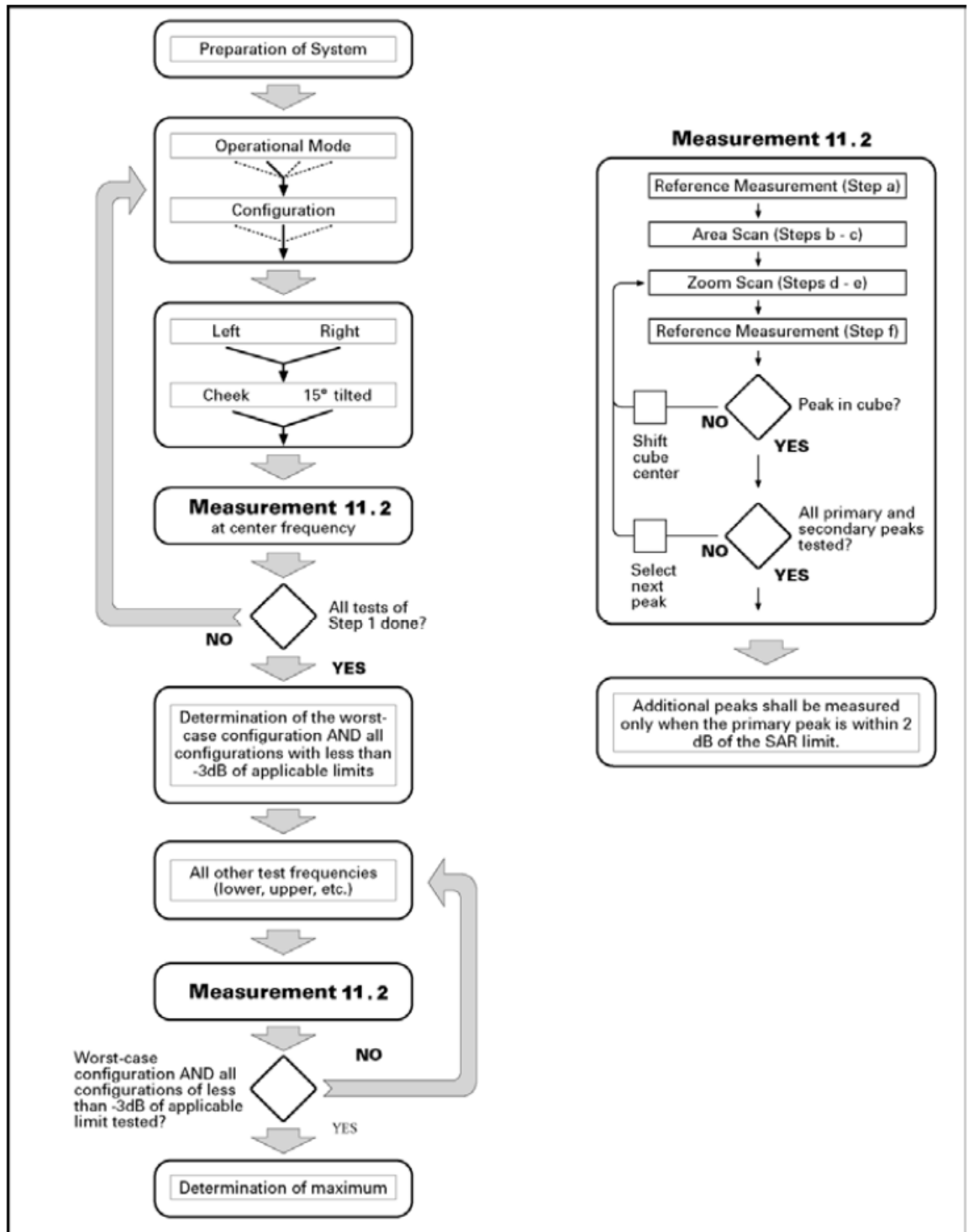
Step 1: The tests described in 11.2 shall be performed at the channel that is closest to the centre of the transmit frequency band (f_c) for:

- all device positions (cheek and tilt, for both left and right sides of the SAM phantom);
- all configurations for each device position in a), e.g., antenna extended and retracted, and
- all operational modes, e.g., analogue and digital, for each device position in a) and configuration in b) in each frequency band.

If more than three frequencies need to be tested according to 11.1 (i.e., $N_c > 3$), then all frequencies, configurations and modes shall be tested for all of the above test conditions.

Step 2: For the condition providing highest peak spatial-average SAR determined in Step 1, perform all tests described in 11.2 at all other test frequencies, i.e., lowest and highest frequencies. In addition, for all other conditions (device position, configuration and operational mode) where the peak spatial-average SAR value determined in Step 1 is within 3 dB of the applicable SAR limit, it is recommended that all other test frequencies shall be tested as well.

Step 3: Examine all data to determine the highest value of the peak spatial-average SAR found in Steps 1 to 2.



Picture 10.1 Block diagram of the tests to be performed

4.10.2 General Measurement Procedure

The area and zoom scan resolutions specified in the table below must be applied to the SAR measurements and fully documented in SAR reports to qualify for TCB approval. Probe boundary effect error compensation is required for measurements with the probe tip closer than half a probe tip diameter to the phantom surface. Both the probe tip diameter and sensor offset distance must satisfy measurement protocols; to ensure probe boundary effect errors are minimized and the higher fields closest to the phantom surface can be correctly measured and extrapolated to the phantom surface for computing 1-g SAR. Tolerances of the post-processing algorithms must be verified by the test laboratory for the scan resolutions used in the SAR measurements,

according to the reference distribution functions specified in IEEE Std 1528-2003. The results should be documented as part of the system validation records and may be requested to support test results when all the measurement parameters in the following table are not satisfied.

		≤ 3 GHz	> 3 GHz
Maximum distance from closest measurement point (geometric center of probe sensors) to phantom surface		5 ± 1 mm	$\frac{1}{2} \cdot \delta \cdot \ln(2) \pm 0.5$ mm
Maximum probe angle from probe axis to phantom surface normal at the measurement location		$30^\circ \pm 1^\circ$	$20^\circ \pm 1^\circ$
Maximum area scan spatial resolution: Δx_{Area} , Δy_{Area}		≤ 2 GHz: ≤ 15 mm 2 – 3 GHz: ≤ 12 mm	3 – 4 GHz: ≤ 12 mm 4 – 6 GHz: ≤ 10 mm
		When the x or y dimension of the test device, in the measurement plane orientation, is smaller than the above, the measurement resolution must be \leq the corresponding x or y dimension of the test device with at least one measurement point on the test device.	
Maximum zoom scan spatial resolution: Δx_{Zoom} , Δy_{Zoom}		≤ 2 GHz: ≤ 8 mm 2 – 3 GHz: ≤ 5 mm*	3 – 4 GHz: ≤ 5 mm* 4 – 6 GHz: ≤ 4 mm*
Maximum zoom scan spatial resolution, normal to phantom surface	uniform grid: $\Delta z_{Zoom}(n)$	≤ 5 mm	3 – 4 GHz: ≤ 4 mm 4 – 5 GHz: ≤ 3 mm 5 – 6 GHz: ≤ 2 mm
	graded grid $\Delta z_{Zoom}(1)$: between 1 st two points closest to phantom surface	≤ 4 mm	3 – 4 GHz: ≤ 3 mm 4 – 5 GHz: ≤ 2.5 mm 5 – 6 GHz: ≤ 2 mm
	$\Delta z_{Zoom}(n>1)$: between subsequent points	$\leq 1.5 \cdot \Delta z_{Zoom}(n-1)$	
Minimum zoom scan volume	x, y, z	≥ 30 mm	3 – 4 GHz: ≥ 28 mm 4 – 5 GHz: ≥ 25 mm 5 – 6 GHz: ≥ 22 mm
Note: δ is the penetration depth of a plane-wave at normal incidence to the tissue medium; see draft standard IEEE P1528-2011 for details.			
* When zoom scan is required and the <u>reported</u> SAR from the area scan based <i>I-g SAR estimation</i> procedures of KDB 447498 is ≤ 1.4 W/kg, ≤ 8 mm, ≤ 7 mm and ≤ 5 mm zoom scan resolution may be applied, respectively, for 2 GHz to 3 GHz, 3 GHz to 4 GHz and 4 GHz to 6 GHz.			

4.10.3 Conducted power measurement

- For WWAN power measurement, use base station simulator connection with RF cable, at maximum power in each supported wireless interface and frequency band.
- Read the WWAN RF power level from the base station simulator.
- For WLAN/BT power measurement, use engineering software to configure EUT WLAN/BT continuously Transmission, at maximum RF power in each supported wireless interface and frequency band.
- Connect EUT RF port through RF cable to the power meter, and measure WLAN/BT output power.

4.10.4 SAR measurement

4.10.4.1 GSM Test Configuration

SAR tests for GSM 850 and GSM 1900, a communication link is set up with a System Simulator (SS) by air link. Using CMU200 the power level is set to "5" for GSM 850, set to "0" for GSM 1900. Since the GPRS class is 12 for this EUT, it has at most 4 timeslots in uplink and at most 4 timeslots in downlink, the maximum total timeslots is 5. the EGPRS class is 12 for this EUT, it has at most 4 timeslots in uplink and at most 4 timeslots in downlink, the maximum total timeslots is 5.

SAR test reduction for GPRS and EDGE modes is determined by the source-based time-averaged output power specified for production units, including tune-up tolerance. The data mode with highest specified time-averaged output power should be tested for SAR compliance in the applicable exposure conditions. For modes with the same specified maximum output power and tolerance, the higher number time-slot

configuration should be tested. GSM voice and GPRS data use GMSK, which is a constant amplitude modulation with minimal peak to average power difference within the time-slot burst. For EDGE, GMSK is used for MCS 1 – MCS 4 and 8-PSK is used for MCS 5 – MCS 9; where 8-PSK has an inherently higher peak-to-average power ratio. The GMSK and 8-PSK EDGE configurations are considered separately for SAR compliance. The GMSK EDGE configurations are grouped with GPRS and considered with respect to time-averaged maximum output power to determine compliance. The 3G SAR test reduction procedure is applied to 8-PSK EDGE with GMSK GPRS/EDGE as the primary mode.

4.10.4.2 UMTS Test Configuration

3G SAR Test Reduction Procedure

In the following procedures, the mode tested for SAR is referred to as the primary mode. The equivalent modes considered for SAR test reduction are denoted as secondary modes. Both primary and secondary modes must be in the same frequency band. When the maximum output power and tune-up tolerance specified for production units in a secondary mode is $\leq \frac{1}{4}$ dB higher than the primary mode or when the highest reported SAR of the primary mode is scaled by the ratio of specified maximum output power and tune-up tolerance of secondary to primary mode and the adjusted SAR is ≤ 1.2 W/kg, SAR measurement is not required for the secondary mode.³ This is referred to as the 3G SAR test reduction procedure in the following SAR test guidance, where the primary mode is identified in the applicable wireless mode test procedures and the secondary mode is wireless mode being considered for SAR test reduction by that procedure. When the 3G SAR test reduction procedure is not satisfied, it is identified as “otherwise” in the applicable procedures; SAR measurement is required for the secondary mode.

Output power Verification

Maximum output power is verified on the high, middle and low channels according to procedures described in section 5.2 of 3GPP TS 34.121, using the appropriate RMC or AMR with TPC (transmit power control) set to all “1’s” for WCDMA/HSDPA or by applying the required inner loop power control procedures to maintain maximum output power while HSUPA is active. Results for all applicable physical channel configurations (DPCCH, DPDCHn and spreading codes, HSDPA, HSPA) are required in the SAR report. All configurations that are not supported by the handset or cannot be measured due to technical or equipment limitations must be clearly identified.

Head SAR

SAR for next to the ear head exposure is measured using a 12.2 kbps RMC with TPC bits configured to all “1’s”. The 3G SAR test reduction procedure is applied to AMR configurations with 12.2 kbps RMC as the primary mode. Otherwise, SAR is measured for 12.2 kbps AMR in 3.4 kbps SRB (signaling radio bearer) using the highest reported SAR configuration in 12.2 kbps RMC for head exposure.

Body-Worn Accessory SAR

SAR for body-worn accessory configurations is measured using a 12.2 kbps RMC with TPC bits configured to all “1’s”. The 3G SAR test reduction procedure is applied to other spreading codes and multiple DPDCHn configurations supported by the handset with 12.2 kbps RMC as the primary mode. Otherwise, SAR is measured using an applicable RMC configuration with the corresponding spreading code or DPDCHn, for the highest reported body-worn accessory exposure SAR configuration in 12.2 kbps RMC. When more than 2 DPDCHn are supported by the handset, it may be necessary to configure additional DPDCHn using FTM (Factory Test Mode) or other chipset based test approaches with parameters similar to those used in 384 kbps and 768 kbps RMC.

Handsets with Release 5 HSDPA

The 3G SAR test reduction procedure is applied to HSDPA body-worn accessory configurations with 12.2 kbps RMC as the primary mode. Otherwise, SAR is measured for HSDPA using the HSDPA body SAR procedures in the “Release 5 HSDPA Data Devices” section of this document, for the highest reported SAR body-worn accessory exposure configuration in 12.2 kbps RMC. Handsets with both HSDPA and HSUPA are tested according to Release 6 HSPA test procedures.

HSDPA should be configured according to the UE category of a test device. The number of HSDSCH/ HS-PDSCHs, HARQ processes, minimum inter-TTI interval, transport block sizes and RV coding sequence are defined by the H-set. To maintain a consistent test configuration and stable transmission conditions, QPSK is used in the H-set for SAR testing. HS-DPCCH should be configured with a CQI feedback cycle of 4 ms with a CQI repetition factor of 2 to maintain a constant rate of active CQI slots. DPCCH and DPDCH gain factors (β_c , β_d), and HS-DPCCH power offset parameters (Δ_{ACK} , Δ_{NACK} , Δ_{CQI}) should be set according to

values indicated in the Table below. The CQI value is determined by the UE category, transport block size, number of HS-PDSCHs and modulation used in the H-set.

Table 2: Subtests for UMTS Release 5 HSDPA

Sub-set	β_c	β_d	β_d (SF)	β_c/β_d	β_{hs} (note 1, note 2)	CM(dB) (note 3)	MPR(dB)
1	2/15	15/15	64	2/15	4/15	0.0	0.0
2	12/15 (note 4)	15/15 (note 4)	64	12/15 (note 4)	24/15	1.0	0.0
3	15/15	8/15	64	15/8	30/15	1.5	0.5
4	15/15	4/15	64	15/4	30/15	1.5	0.5

Note1: Δ_{ACK} , Δ_{NACK} and $\Delta_{CQI} = 8 \Leftrightarrow A_{hs} = \beta_{hs}/\beta_c = 30/15 \Leftrightarrow \beta_{hs} = 30/15 * \beta_c$
Note2: CM=1 for $\beta_c/\beta_d = 12/15$, $\beta_{hs}/\beta_c = 24/15$.
Note3: For subtest 2 the β_c/β_d ratio of 12/15 for the TFC during the measurement period(TF1,TF0) is achieved by setting the signaled gain factors for the reference TFC (TFC1,TF1) to $\beta_c = 11/15$ and $\beta_d = 15/15$.

HSUPA Test Configuration

The 3G SAR test reduction procedure is applied to HSPA (HSUPA/HSDPA with RMC) body-worn accessory configurations with 12.2 kbps RMC as the primary mode. Otherwise, SAR is measured for HSPA using the HSPA body SAR procedures in the "Release 6 HSPA Data Devices" section of this document, for the highest reported body-worn accessory exposure SAR configuration in 12.2 kbps RMC. When VOIP is applicable for next to the ear head exposure in HSPA, the 3G SAR test reduction procedure is applied to HSPA with 12.2 kbps RMC as the primary mode; otherwise, the same HSPA configuration used for body-worn accessory measurements is tested for next to the ear head exposure.

Due to inner loop power control requirements in HSPA, a communication test set is required for output power and SAR tests. The 12.2 kbps RMC, FRC H-set 1 and E-DCH configurations for HSPA are configured according to the β values indicated in Table 2 and other applicable procedures described in the 'WCDMA Handset' and 'Release 5 HSDPA Data Devices' sections of this document

Table 3: Sub-Test 5 Setup for Release 6 HSUPA

Sub-set	β_c	β_d	β_d (SF)	β_c/β_d	$\beta_{hs}^{(1)}$	β_{ec}	β_{ed}	β_{ed} (SF)	β_{ed} (codes)	CM ⁽²⁾ (dB)	MPR (dB)	AG ⁽⁴⁾ Index	E-TFCI
1	11/15 ⁽³⁾	15/15 ⁽³⁾	64	11/15 ⁽³⁾	22/15	209/225	1039/225	4	1	1.0	0.0	20	75
2	6/15	15/15	64	6/15	12/15	12/15	94/75	4	1	3.0	2.0	12	67
3	15/15	9/15	64	15/9	30/15	30/15	$\beta_{ed1} 47/15$ $\beta_{ed2} 47/15$	4	2	2.0	1.0	15	92
4	2/15	15/15	64	2/15	4/15	2/15	56/75	4	1	3.0	2.0	17	71
5	15/15 ⁽⁴⁾	15/15 ⁽⁴⁾	64	15/15 ⁽⁴⁾	30/15	24/15	134/15	4	1	1.0	0.0	21	81

Note 1: Δ_{ACK} , Δ_{NACK} and $\Delta_{CQI} = 8 \Leftrightarrow A_{hs} = \beta_{hs}/\beta_c = 30/15 \Leftrightarrow \beta_{hs} = 30/15 * \beta_c$.
Note 2: CM = 1 for $\beta_c/\beta_d = 12/15$, $\beta_{hs}/\beta_c = 24/15$. For all other combinations of DPDCH, DPCCH, HS-DPCCH, E-DPDCH and E-DPCCH the MPR is based on the relative CM difference.
Note 3: For subtest 1 the β_c/β_d ratio of 11/15 for the TFC during the measurement period (TF1, TF0) is achieved by setting the signaled gain factors for the reference TFC (TF1, TF1) to $\beta_c = 10/15$ and $\beta_d = 15/15$.
Note 4: For subtest 5 the β_c/β_d ratio of 15/15 for the TFC during the measurement period (TF1, TF0) is achieved by setting the signaled gain factors for the reference TFC (TF1, TF1) to $\beta_c = 14/15$ and $\beta_d = 15/15$.
Note 5: Testing UE using E-DPDCH Physical Layer category 1 Sub-test 3 is not required according to TS 25.306 Figure 5.1g.
Note 6: β_{ed} can not be set directly; it is set by Absolute Grant Value.

Table 4: HSUPA UE category

UE E-DCH Category	Maximum E-DCH Codes Transmitted	Number of HARQ Processes	E-DCH TTI (ms)	Minimum Spreading Factor	Maximum E-DCH Transport Block Bits	Max Rate (Mbps)
1	1	4	10	4	7110	0.7296
2	2	8	2	4	2798	1.4592
	2	4	10	4	14484	
3	2	4	10	4	14484	1.4592
4	2	8	2	2	5772	2.9185
	2	4	10	2	20000	2.00
5	2	4	10	2	20000	2.00
6 (No DPDCH)	4	8	2	2 SF2 & 2 SF4	11484	5.76
	4	4	10		20000	2.00
7 (No DPDCH)	4	8	2	2 SF2 & 2 SF4	22996	?
	4	4	10		20000	?

NOTE: When 4 codes are transmitted in parallel, two codes shall be transmitted with SF2 and two with SF4. UE Categories 1 to 6 supports QPSK only. UE Category 7 supports QPSK and 16QAM. (TS25.306-7.3.0)

HSPA, HSPA+ and DC-HSDPA Test Configuration

measurement is required for HSPA, HSPA+ or DC-HSDPA, a KDB inquiry is required to confirm that the wireless mode configurations in the test setup have remained stable throughout the SAR measurements.³⁵ Without prior KDB confirmation to determine the SAR results are acceptable, a PBA is required for TCB approval.

SAR test exclusion for HSPA, HSPA+ and DC-HSDPA is determined according to the following:

- 1) The HSPA procedures are applied to configure 3GPP Rel. 6 HSPA devices in the required sub-test mode(s) to determine SAR test exclusion.
- 2) SAR is required for Rel. 7 HSPA+ when SAR is required for Rel. 6 HSPA; otherwise, the 3G SAR test reduction procedure is applied to (uplink) HSPA+ with 12.2 kbps RMC as the primary mode.³⁶ Power is measured for HSPA+ that supports uplink 16 QAM according to configurations in Table C.11.1.4 of 3GPP TS 34.121-1 to determine SAR test reduction.
- 3) SAR is required for Rel. 8 DC-HSDPA when SAR is required for Rel. 5 HSDPA; otherwise, the 3G SAR test reduction procedure is applied to DC-HSDPA with 12.2 kbps RMC as the primary mode. Power is measured for DC-HSDPA according to the H-Set 12, FRC configuration in Table C.8.1.12 of 3GPP TS 34.121-1 to determine SAR test reduction. A primary and a secondary serving HS-DSCH Cell are required to perform the power measurement and for the results to be acceptable.
- 4) Regardless of whether a PBA is required, the following information must be verified and included in the SAR report for devices supporting HSPA, HSPA+ or DC-HSDPA: a) The output power measurement results and applicable release version(s) of 3GPP TS 34.121.

i) Power measurement difficulties due to test equipment setup or availability must be resolved between the grantee and its test lab.

b) The power measurement results are in agreement with the individual device implementation and specifications. When Enhanced MPR (E-MPR) applies, the normal MPR targets may be modified according to the Cubic Metric (CM) measured by the device, which must be taken into consideration.

c) The UE category, operating parameters, such as the β and Δ values used to configure the device for testing, power setback procedures described in 3GPP TS 34.121 for the power measurements, and HSPA/HSPA+ channel conditions (active and stable) for the entire duration of the measurement according to the required E-TFCI and AG index values.

5) When SAR measurement is required, the test configurations, procedures and power measurement results must be clearly described to confirm that the required test parameters are used, including E-TFCI and AG index stability and output power conditions.

Table 5: HS-DSCH UE category

Table 5.1a: FDD HS-DSCH physical layer categories

HS-DSCH category	Maximum number of HS-DSCH codes received	Minimum inter-TTI interval	Maximum number of bits of an HS-DSCH transport block received within an HS-DSCH TTI NOTE 1	Total number of soft channel bits	Supported modulations without MIMO operation or dual cell operation	Supported modulations with MIMO operation and without dual cell operation	Supported modulations with dual cell operation	
Category 1	5	3	7298	19200	QPSK, 16QAM	Not applicable (MIMO not supported)	Not applicable (dual cell operation not supported)	
Category 2	5	3	7298	28800				
Category 3	5	2	7298	28800				
Category 4	5	2	7298	38400				
Category 5	5	1	7298	57600				
Category 6	5	1	7298	67200				
Category 7	10	1	14411	115200				
Category 8	10	1	14411	134400				
Category 9	15	1	20251	172800				
Category 10	15	1	27952	172800				
Category 11	5	2	3630	14400				QPSK
Category 12	5	1	3630	28800				QPSK, 16QAM, 64QAM
Category 13	15	1	35280	259200				
Category 14	15	1	42192	259200				
Category 15	15	1	23370	345600	QPSK, 16QAM			
Category 16	15	1	27952	345600	QPSK, 16QAM			
Category 17 NOTE 2	15	1	35280	259200	QPSK, 16QAM, 64QAM	-		
			23370	345600	-	QPSK, 16QAM		
Category 18 NOTE 3	15	1	42192	259200	QPSK, 16QAM, 64QAM	-		
			27952	345600	-	QPSK, 16QAM		
Category 19	15	1	35280	518400	QPSK, 16QAM, 64QAM			
Category 20	15	1	42192	518400	QPSK, 16QAM, 64QAM			
Category 21	15	1	23370	345600				
Category 22	15	1	27952	345600				
Category 23	15	1	35280	518400	-	-		
Category 24	15	1	42192	518400			QPSK, 16QAM, 64QAM	

4.10.5 WIFI Test Configuration

For WLAN SAR testing, WLAN engineering testing software installed on the DUT can provide continuous transmitting RF signal. The Tx power is set to 14.5 for 802.11 b mode by software. This RF signal utilized in SAR measurement has almost 100% duty cycle and its crest factor is 1.

For the 802.11b/g/n SAR tests, a communication link is set up with the test mode software for WIFI mode test. During the test, at the each test frequency channel, the EUT is operated at the RF continuous emission mode. Each channel should be tested at the lowest data rate. Testing at higher data rates is not required when the maximum average output power is less than 0.25dB higher than those measured at the lowest data rate.

802.11b/g/n operating modes are tested independently according to the service requirements in each frequency band. 802.11b/g/n modes are tested on the maximum average output channel.

SAR is not required for 802.11g/n channels when the maximum average output power is less than 0.25dB higher than that measured on the corresponding 802.11b channels.

4.10.5 Power Drift

To control the output power stability during the SAR test, DASY5 system calculates the power drift by measuring the E-field at the same location at the beginning and at the end of the measurement for each test position. These drift values can be found in Table 14.1 to Table 14.11 labeled as: (Power Drift [dB]). This ensures that the power drift during one measurement is within 5%.

4.10.6 Area Scan Based 1-g SAR

4.10.6.1 Requirement of KDB

According to the KDB447498 D01 v05, when the implementation is based the specific polynomial fit algorithm as presented at the 29th Bioelectromagnetics Society meeting (2007) and the estimated 1-g SAR is ≤ 1.2 W/kg, a zoom scan measurement is not required provided it is also not needed for any other purpose; for example, if the peak SAR location required for simultaneous transmission SAR test exclusion can be determined accurately by the SAR system or manually to discriminate between distinctive peaks and scattered noisy SAR distributions from area scans.

There must not be any warning or alert messages due to various measurement concerns identified by the SAR system; for example, noise in measurements, peaks too close to scan boundary, peaks are too sharp, spatial resolution and uncertainty issues etc. The SAR system verification must also demonstrate that the area scan estimated 1-g SAR is within 3% of the zoom scan 1-g SAR (See Annex B). When all the SAR results for each exposure condition in a frequency band and wireless mode are based on estimated 1-g SAR, the 1-g SAR for the highest SAR configuration must be determined by a zoom scan.

4.10.6.2 Fast SAR Algorithms

The approach is based on the area scan measurement applying a frequency dependent attenuation parameter. This attenuation parameter was empirically determined by analyzing a large number of phones. The MOTOROLA FAST SAR was developed and validated by the MOTOROLA Research Group in Ft. Lauderdale.

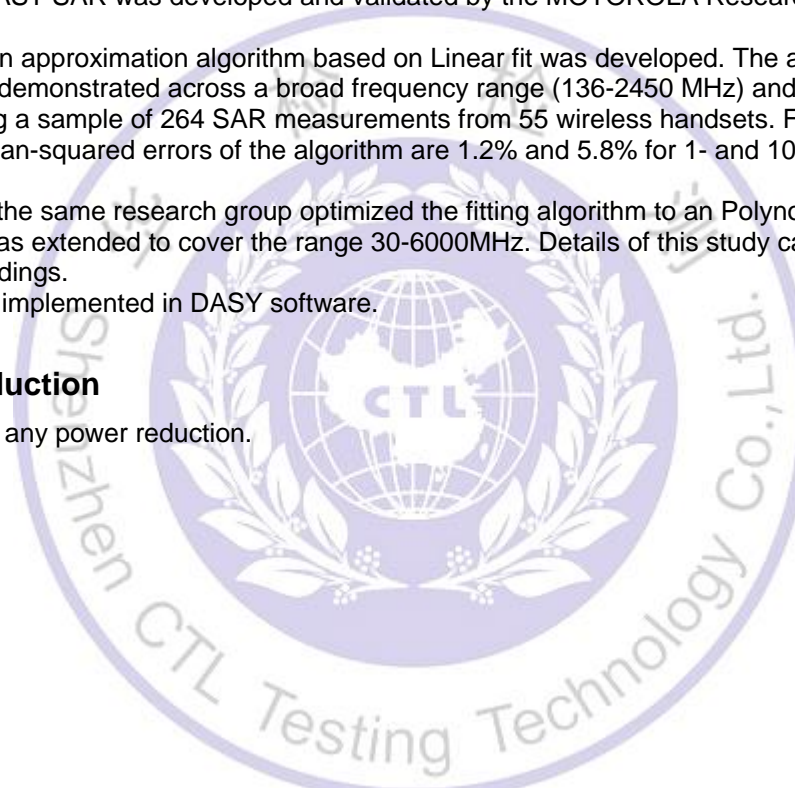
In the initial study, an approximation algorithm based on Linear fit was developed. The accuracy of the algorithm has been demonstrated across a broad frequency range (136-2450 MHz) and for both 1- and 10-g averaged SAR using a sample of 264 SAR measurements from 55 wireless handsets. For the sample size studied, the root-mean-squared errors of the algorithm are 1.2% and 5.8% for 1- and 10-g averaged SAR, respectively

In the second step, the same research group optimized the fitting algorithm to an Polynomial fit whereby the frequency validity was extended to cover the range 30-6000MHz. Details of this study can be found in the BEMS 2007 Proceedings.

Both algorithms are implemented in DASY software.

4.11. Power Reduction

The product without any power reduction.



5. TEST CONDITIONS AND RESULTS

5.1. Conducted Power Results

Max Conducted power measurement results and power drift from tune-up tolerance provide by manufacturer:

Conducted Power Measurement Results(GSM 850/1900)

GSM 850		Burst Conducted power (dBm)			/	Average power (dBm)		
		Channel/Frequency(MHz)				Channel/Frequency(MHz)		
		128/824.2	190/836.6	251/848.8		128/824.2	190/836.6	251/848.8
GSM		32.26	32.69	32.01	-9.03dB	23.23	23.66	22.98
GPRS (GMSK)	1TX slot	32.15	32.58	31.93	-9.03dB	23.12	23.55	22.90
	2TX slot	30.32	30.71	30.05	-6.02dB	24.30	24.69	24.03
	3TX slot	28.59	28.94	28.32	-4.26dB	24.33	24.68	24.06
	4TX slot	27.81	28.03	27.64	-3.01dB	24.80	25.02	24.63
GSM 1900		Burst Conducted power (dBm)			/	Average power (dBm)		
		Channel/Frequency(MHz)				Channel/Frequency(MHz)		
		512/ 1850.2	661/ 1880	810/ 1909.8		512/ 1850.2	661/ 1880	810/ 1909.8
GSM		29.91	30.13	30.32	-9.03dB	20.88	21.10	21.29
GPRS (GMSK)	1TX slot	29.88	30.11	30.24	-9.03dB	20.85	21.08	21.21
	2TX slot	27.47	27.63	27.79	-6.02dB	21.45	21.61	21.77
	3TX slot	26.23	26.40	26.53	-4.26dB	21.97	22.14	22.27
	4TX slot	25.58	25.74	25.79	-3.01dB	22.57	22.73	22.78

NOTES:

1) Division Factors

To average the power, the division factor is as follows:

1TX-slot = 1 transmit time slot out of 8 time slots=> conducted power divided by (8/1) => -9.03dB

2TX-slots = 2 transmit time slots out of 8 time slots=> conducted power divided by (8/2) => -6.02dB

3TX-slots = 3 transmit time slots out of 8 time slots=> conducted power divided by (8/3) => -4.26dB

4TX-slots = 4 transmit time slots out of 8 time slots=> conducted power divided by (8/4) => -3.01dB

According to the conducted power as above, the body measurements are performed with 4Txslots for GPRS850 and GPRS1900.

Conducted Power Measurement Results(UMTS Band II/V)

Item	band	UMTS Band II result (dBm)			UMTS Band V result (dBm)		
		Channel/Frequency(MHz)			Channel/Frequency(MHz)		
		ARFCN	9262/1852.4	9400/1880	9538/1907.6	4132/826.4	4183/836.6
RMC	12.2kbps RMC	23.28	23.27	23.20	23.79	23.91	23.91
	64kbps RMC	23.15	23.23	23.23	23.77	23.86	23.87
	144kbps RMC	23.13	23.18	23.18	23.68	23.80	23.84
	384kbps RMC	23.07	23.12	23.15	23.61	23.69	23.72
HSDPA	Sub - Test 1	23.22	23.21	23.14	23.71	23.82	23.85
	Sub - Test 2	21.70	21.60	21.60	22.20	22.40	22.30
	Sub - Test 3	20.20	20.20	20.20	21.00	21.00	21.00
	Sub - Test 4	20.00	20.00	20.00	20.60	20.50	20.70
HSUPA	Sub - Test 1	22.61	22.66	22.21	23.61	23.50	23.61
	Sub - Test 2	21.13	21.18	20.80	21.67	21.84	22.10
	Sub - Test 3	22.02	22.17	21.45	22.87	22.70	22.78
	Sub - Test 4	21.43	21.32	21.01	22.05	22.23	22.28
	Sub - Test 5	22.89	22.84	22.47	23.41	23.48	23.52

Note : When the maximum output power and tune-up tolerance specified for production units in a secondary mode is $\leq 1/2$ dB higher than the primary mode (RMC12.2kbps) or when the highest reported SAR of the primary mode is scaled by the ratio of specified maximum output power and tune-up tolerance of secondary to primary mode and the adjusted SAR is ≤ 1.2 W/kg, SAR measurement is not required for the secondary mode.

WLAN

Mode	Channel	Frequency (MHz)	Worst case Data rate of worst case	Conducted Output Power (dBm)	
				Peak	Average
802.11b	1	2412	1Mbps	17.65	15.34
	6	2437	1Mbps	17.92	15.50
	11	2462	1Mbps	17.83	15.42
802.11g	1	2412	6Mbps	20.26	13.77
	6	2437	6Mbps	20.81	13.89
	11	2462	6Mbps	20.63	13.82
802.11n(20MHz)	1	2412	6.5 Mbps	21.39	12.35
	6	2437	6.5 Mbps	21.97	12.51
	11	2462	6.5 Mbps	21.02	12.20
802.11n(40MHz)	3	2422	13.5 Mbps	19.58	10.82
	6	2437	13.5 Mbps	20.33	10.91
	9	2452	13.5 Mbps	19.94	10.86

Note: SAR is not required for 802.11b/g/n channels if the output power is less than 0.25dB higher than that measured on the corresponding 802.11b channels, and for each frequency band, testing at higher data rates and higher order modulations is not required when the maximum average output power for each of these configurations is less than 0.25dB higher than those measured at the lowest data rate. According to the above conducted power, the EUT should not be tested for "802.11b/g/n".

Bluetooth

Mode	Channel	Frequency (MHz)	Conducted Average Power (dBm)
BLE-GFSK	00	2402	0.52
	19	2440	0.77
	39	2480	1.32
GFSK	00	2402	5.89
	39	2441	6.45
	78	2480	5.27
8DPSK	00	2402	5.61
	39	2441	6.23
	78	2480	5.20
$\pi/4$ DQPSK	00	2402	5.71
	39	2441	6.33
	78	2480	5.49

Manufacturing tolerance**GSM Speech**

GSM 850 (GMSK) (Average)			
Channel	Channel 251	Channel 190	Channel 190
Target (dBm)	32.00	32.00	32.00
Tolerance \pm (dB)	1	1	1
GSM 1900 (GMSK) (Peak)			
Channel	Channel 810	Channel 661	Channel 512
Target (dBm)	30.00	30.00	30.00
Tolerance \pm (dB)	1	1	1

GSM 850 GPRS (GMSK) (Average)

GSM 850 GPRS (GMSK) (Average)				
Channel		251	190	128
1 Txslot	Target (dBm)	32.00	32.00	32.00
	Tolerance \pm (dB)	1	1	1
2 Txslot	Target (dBm)	30.0	30.0	30.0
	Tolerance \pm (dB)	1	1	1
3 Txslot	Target (dBm)	28.0	28.0	28.0
	Tolerance \pm (dB)	1	1	1
4 Txslot	Target (dBm)	28.0	28.0	28.0
	Tolerance \pm (dB)	1	1	1

GSM 1900 GPRS (GMSK) (Average)				
Channel		810	661	512
1 Txslot	Target (dBm)	30.0	30.0	30.0
	Tolerance \pm (dB)	1	1	1
2 Txslot	Target (dBm)	27.0	27.0	27.0
	Tolerance \pm (dB)	1	1	1
3 Txslot	Target (dBm)	26.0	26.0	26.0
	Tolerance \pm (dB)	1	1	1
4 Txslot	Target (dBm)	25.0	25.0	25.0
	Tolerance \pm (dB)	1	1	1

UMTS

UMTS Band V				
Channel	Channel 4132	Channel 4182	Channel 4233	
Target (dBm)	23.0	23.0	23.0	
Tolerance \pm (dB)	1	1	1	
UMTS Band V HSDPA(sub-test 1)				
Channel	Channel 4132	Channel 4182	Channel 4233	
Target (dBm)	23.0	23.0	23.0	
Tolerance \pm (dB)	1	1	1	
UMTS Band V HSDPA(sub-test 2)				
Channel	Channel 4132	Channel 4182	Channel 4233	
Target (dBm)	22.0	22.0	22.0	
Tolerance \pm (dB)	1	1	1	
UMTS Band V HSDPA(sub-test 3)				
Channel	Channel 4132	Channel 4182	Channel 4233	
Target (dBm)	21.0	21.0	21.0	
Tolerance \pm (dB)	1	1	1	
UMTS Band V HSDPA(sub-test 4)				
Channel	Channel 4132	Channel 4182	Channel 4233	
Target (dBm)	20.0	20.0	20.0	
Tolerance \pm (dB)	1	1	1	
UMTS Band V HSUPA(sub-test 1)				
Channel	Channel 4132	Channel 4182	Channel 4233	
Target (dBm)	23.0	23.0	23.0	
Tolerance \pm (dB)	1	1	1	
UMTS Band V HSUPA(sub-test 2)				
Channel	Channel 4132	Channel 4182	Channel 4233	
Target (dBm)	21.0	21.0	21.0	
Tolerance \pm (dB)	1	1	1	
UMTS Band V HSUPA(sub-test 3)				
Channel	Channel 4132	Channel 4182	Channel 4233	
Target (dBm)	22.0	22.0	22.0	
Tolerance \pm (dB)	1	1	1	
UMTS Band V HSUPA(sub-test 4)				
Channel	Channel 4132	Channel 4182	Channel 4233	
Target (dBm)	22.0	22.0	22.0	
Tolerance \pm (dB)	1	1	1	
UMTS Band V HSUPA(sub-test 5)				
Channel	Channel 4132	Channel 4182	Channel 4233	
Target (dBm)	23.0	23.0	23.0	
Tolerance \pm (dB)	1	1	1	
UMTS Band II				
Channel	Channel 9262	Channel 9400	Channel 9538	
Target (dBm)	23.0	23.0	23.0	
Tolerance \pm (dB)	1	1	1	
UMTS Band II HSDPA(sub-test 1)				
Channel	Channel 9262	Channel 9400	Channel 9538	
Target (dBm)	23.0	23.0	23.0	
Tolerance \pm (dB)	1	1	1	
UMTS Band II HSDPA(sub-test 2)				
Channel	Channel 9262	Channel 9400	Channel 9538	

Target (dBm)	22.0	22.0	22.0
Tolerance \pm (dB)	1	1	1
UMTS Band II HSDPA(sub-test 3)			
Channel	Channel 9262	Channel 9400	Channel 9538
Target (dBm)	21.0	21.0	21.0
Tolerance \pm (dB)	1	1	1
UMTS Band II HSDPA(sub-test 4)			
Channel	Channel 9262	Channel 9400	Channel 9538
Target (dBm)	20.0	20.0	20.0
Tolerance \pm (dB)	1	1	1
UMTS Band II HSUPA(sub-test 1)			
Channel	Channel 9262	Channel 9400	Channel 9538
Target (dBm)	23.0	23.0	23.0
Tolerance \pm (dB)	1	1	1
UMTS Band II HSUPA(sub-test 2)			
Channel	Channel 9262	Channel 9400	Channel 9538
Target (dBm)	22.0	22.0	22.0
Tolerance \pm (dB)	1	1	1
UMTS Band II HSUPA(sub-test 3)			
Channel	Channel 9262	Channel 9400	Channel 9538
Target (dBm)	22.0	22.0	22.0
Tolerance \pm (dB)	1	1	1
UMTS Band II HSUPA(sub-test 4)			
Channel	Channel 9262	Channel 9400	Channel 9538
Target (dBm)	22.0	22.0	22.0
Tolerance \pm (dB)	1	1	1
UMTS Band II HSUPA(sub-test 5)			
Channel	Channel 9262	Channel 9400	Channel 9538
Target (dBm)	23.0	23.0	23.0
Tolerance \pm (dB)	1	1	1

WLAN

802.11b (Average)			
Channel	Channel 1	Channel 6	Channel 11
Target (dBm)	15.0	15.0	15.0
Tolerance \pm (dB)	1	1	1
802.11g (Average)			
Channel	Channel 1	Channel 6	Channel 11
Target (dBm)	13.0	13.0	13.0
Tolerance \pm (dB)	1	1	1
802.11n(20MHz) (Average)			
Channel	Channel 1	Channel 6	Channel 11
Target (dBm)	12.0	12.0	12.0
Tolerance \pm (dB)	1	1	1
802.11n(40MHz) (Average)			
Channel	Channel 3	Channel 6	Channel 9
Target (dBm)	10.0	10.0	10.0
Tolerance \pm (dB)	1	1	1

Bluetooth

BLE-GFSK (Average)			
Channel	Channel 00	Channel 19	Channel 39
Target (dBm)	1.00	1.00	1.00
Tolerance \pm (dB)	1	1	1
GFSK (Average)			
Channel	Channel 00	Channel 39	Channel 78
Target (dBm)	6.00	6.00	6.00
Tolerance \pm (dB)	1	1	1
8DPSK (Average)			
Channel	Channel 00	Channel 39	Channel 78
Target (dBm)	6.00	6.00	6.00
Tolerance \pm (dB)	1	1	1

$\pi/4$ DQPSK (Average)			
Channel	Channel 00	Channel 39	Channel 78
Target (dBm)	6.00	6.00	6.00
Tolerance \pm (dB)	1	1	1

5.2. Simultaneous TX SAR Considerations

5.2.1 Introduction

The following procedures adopted from “FCC SAR Considerations for Cell Phones with Multiple Transmitters” are applicable to handsets with built-in unlicensed transmitters such as 802.11 a/b/g/n and Bluetooth devices which may simultaneously transmit with the licensed transmitter.

For the DUT, the BT and WiFi modules sharing same antenna, GSM and UMTS module sharing a single antenna;

Application Simultaneous Transmission information:

Air-Interface	Band (MHz)	Type	Simultaneous Transmissions	Voice over Digital Transport(Data)
GSM	850	VO	Yes, WLAN or BT/BLE	N/A
	1900	VO		
	GPRS	DT	Yes, WLAN or BT/BLE	N/A
UMTS	Band II/Band V	DT	Yes, WLAN or BT/BLE	N/A
WLAN	2450	DT	Yes, GSM, GPRS, UMTS	Yes
BT/BLE	2450	DT	Yes, GSM, GPRS, UMTS	N/A

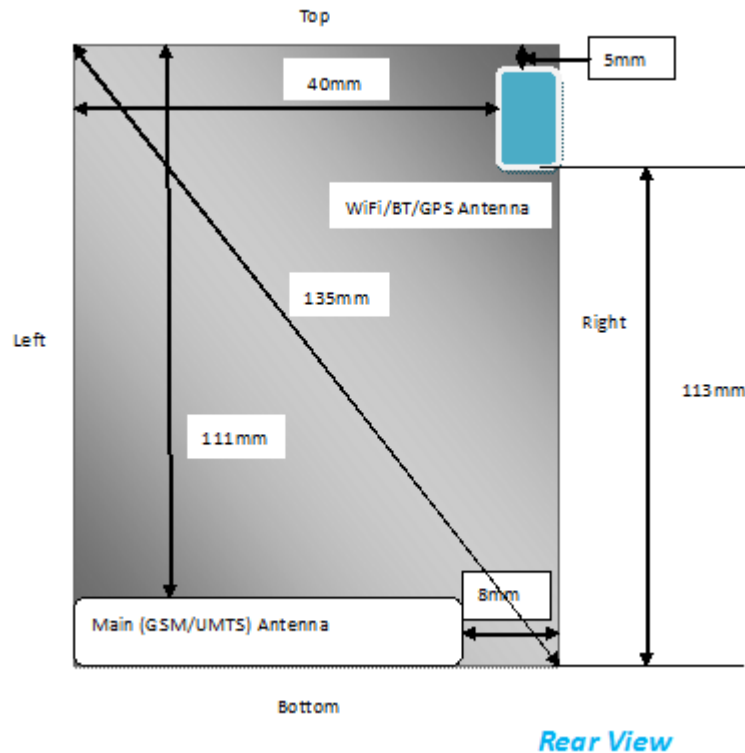
Note: VO-Voice Service only; DT-Digital Transport

Note: BT and WLAN can be active at the same time, but only with interleaving of packages switched on board level. That means that they don't transmit at the same time.

BLE-Bluetooth low energy;

BT- Classical Bluetooth

5.2.2 Transmit Antennas and SAR Measurement Positions



Note:

1). Per KDB648474 D04, because the overall diagonal distance of this devices is 135mm < 160mm, it is not considered a “Phablet” device.

2). According to the KDB941225 D06 Hot Spot SAR v01, the edges with less than 2.5 cm distance to the antennas need to be tested for SAR.

Hotspot mode SAR measurement positions

Hotspot mode SAR measurement positions						
mode	front	rear	left egde	right egde	top egde	bottom egde
GSM 850	yes	yes	yes	yes	no	yes
GSM 1900	yes	yes	yes	yes	no	yes
UMTS FDD Band II	yes	yes	yes	yes	no	yes
UMTS FDD Band V	yes	yes	yes	yes	no	yes
WiFi240	yes	yes	yes	yes	yes	no

5.2.2 Standalone SAR Test Exclusion Considerations

Standalone 1-g head or body SAR evaluation by measurement or numerical simulation is not required when the corresponding SAR Exclusion Threshold condition, listed below, is satisfied.

The 1-g and 10-g SAR test exclusion thresholds for 100 MHz to 6 GHz at test separation distances ≤ 50 mm are determined by::

$[(\text{max. power of channel, including tune-up tolerance, mW}) / (\text{min. test separation distance, mm})] \cdot [\sqrt{f(\text{GHz})}] \leq 3.0$ for 1-g SAR and ≤ 7.5 for 10-g extremity SAR, where

- f(GHz) is the RF channel transmit frequency in GHz
- Power and distance are rounded to the nearest mW and mm before calculation
- The result is rounded to one decimal place for comparison
- 3.0 and 7.5 are referred to as the numeric thresholds in the step 2 below

The test exclusions are applicable only when the minimum test separation distance is ≤ 50 mm and for transmission frequencies between 100 MHz and 6 GHz. When the minimum test separation distance is < 5 mm, a distance of 5 mm according to 5) in section 4.1 is applied to determine SAR test exclusion.

Standalone SAR test exclusion considerations

Communication system	Frequency (MHz)	Configuration	Maximum Average Power (dBm)	Separation Distance (mm)	Calculation Result	SAR Exclusion Thresholds	Standalone SAR Exclusion
GSM 850	835	Head	23.97	5	45.6	3.0	no
		Body	25.99	10	36.3	3.0	no
GSM 1900	1900	Head	21.97	5	43.8	3.0	no
		Body	22.99	10	27.4	3.0	no
UMTS Band II	1900	Head	24.00	5	69.3	3.0	no
		Body	24.00	10	34.6	3.0	no
UMTS Band V	835	Head	24.00	5	45.9	3.0	no
		Body	24.00	10	23.0	3.0	no
Wifi 2450	2450	Head	16.00	5	12.5	3.0	no
		Body	16.00	10	6.2	3.0	no
Bluetooth	2450	Head	7.00	5	1.6	3.0	yes
		Body	7.00	10	0.8	3.0	yes

Note:

1. Maximum average power including tune-up tolerance;
2. Bluetooth including BLE and classical Bluetooth;
3. When the minimum test separation distance is < 5 mm, a distance of 5 mm is applied to determine SAR test exclusion

5.2.4 Standalone SAR Test Exclusion Considerations and Estimated SAR

Per KDB447498 requires when the standalone SAR test exclusion of section 4.3.1 is applied to an antenna that transmits simultaneously with other antennas, the standalone SAR must be estimated according to the following to determine simultaneous transmission SAR test exclusion;

- $(\text{max. power of channel, including tune-up tolerance, mW}) / (\text{min. test separation distance, mm}) \cdot [\sqrt{f(\text{GHz})} / x]$ W/kg for test separation distances ≤ 50 mm; where $x = 7.5$ for 1-g SAR, and $x = 18.75$ for 10-g SAR.
- 0.4 W/kg for 1-g SAR and 1.0 W/kg for 10-g SAR, when the test separation distances is > 50 mm

Per FCC KD B447498 D01, simultaneous transmission SAR test exclusion may be applied when the sum of the 1-g SAR for all the transmitting antenna in a specific a physical test configuration is ≤ 1.6 W/Kg. When the sum is greater than the SAR limit, SAR test exclusion is determined by the SAR to peak location separation ratio.

$$\text{Ratio} = \frac{(\text{SAR}_1 + \text{SAR}_2)^{1.5}}{(\text{peak location separation, mm})} < 0.04$$

Estimated stand alone SAR					
Communication system	Frequency (MHz)	Configuration	Maximum Power (dBm)	Separation Distance (mm)	Estimated SAR _{1-g} (W/kg)
Bluetooth	2450	Head	7.00	5.00	0.209
Bluetooth	2450	Hotspot	7.00	10.00	0.105
Bluetooth	2450	Body Worn	7.00	10.00	0.105

5.2.5 Evaluation of Simultaneous SAR

Simultaneous transmission SAR for WiFi and GSM/UMTS (Hotspot Open)

Test Position	SAR Type	GSM850 Reported SAR _{1-g} (W/Kg)	GSM1900 Reported SAR _{1-g} (W/Kg)	UMTS Band II Reported SAR _{1-g} (W/Kg)	UMTS Band V Reported SAR _{1-g} (W/Kg)	WiFi Reported SAR _{1-g} (W/Kg)	MAX. Σ SAR _{1-g} (W/Kg)	SAR _{1-g} Limit (W/Kg)	Peak location separation ratio	Simut. Meas. Required
Left/Cheek	1-g	0.415	0.458	0.455	0.437	0.545	1.003	1.6	no	no
Left/Tilt	1-g	0.375	0.338	0.545	0.365	0.505	1.050	1.6	no	no
Right/Cheek	1-g	0.367	0.359	0.505	0.427	0.627	1.132	1.6	no	no
Right/Tilt	1-g	0.304	0.276	0.487	0.326	0.558	1.045	1.6	no	no
Rear Side	1-g	0.865	0.659	0.918	0.867	0.342	1.260	1.6	no	no
Front Side	1-g	0.636	0.629	0.799	0.783	0.305	1.104	1.6	no	no
Left Side	1-g	0.588	0.352	0.366	0.536	0.122	0.710	1.6	no	no
Right Side	1-g	0.370	0.134	0.135	0.355	0.264	0.634	1.6	no	no
Top Side	1-g	N/A	N/A	N/A	N/A	0.278	0.278	1.6	no	no
Bottom Side	1-g	0.826	0.597	1.058	0.783	N/A	1.058	1.6	no	no

Simultaneous transmission SAR for Bluetooth and GSM/UMTS (Hotspot Open)

Test Position	SAR Type	GSM850 Reported SAR _{1-g} (W/Kg)	GSM1900 Reported SAR _{1-g} (W/Kg)	UMTS Band II Reported SAR _{1-g} (W/Kg)	UMTS Band V Reported SAR _{1-g} (W/Kg)	Bluetooth Estimated SAR _{1-g} (W/Kg)	MAX. Σ SAR _{1-g} (W/Kg)	SAR _{1-g} Limit (W/Kg)	Peak location separation ratio	Simut. Meas. Required
Left/Cheek	1-g	0.415	0.458	0.455	0.437	0.209	0.667	1.6	no	no
Left/Tilt	1-g	0.375	0.338	0.545	0.365	0.209	0.754	1.6	no	no
Right/Cheek	1-g	0.367	0.359	0.505	0.427	0.209	0.714	1.6	no	no
Right/Tilt	1-g	0.304	0.276	0.487	0.326	0.209	0.696	1.6	no	no
Rear Side	1-g	0.865	0.659	0.918	0.867	0.105	1.023	1.6	no	no
Front Side	1-g	0.636	0.629	0.799	0.783	0.105	0.904	1.6	no	no
Left Side	1-g	0.588	0.352	0.366	0.536	0.105	0.693	1.6	no	no
Right Side	1-g	0.370	0.134	0.135	0.355	0.105	0.475	1.6	no	no
Top Side	1-g	N/A	N/A	N/A	N/A	0.105	0.105	1.6	no	no
Bottom Side	1-g	0.826	0.597	1.058	0.783	N/A	1.058	1.6	no	no

Note: 1. The WiFi and BT share same antenna, so cannot transmit at same time.

2. The value with block color is the maximum values of standalone

3. The value with blue color is the maximum values of Σ SAR_{1-g}

5.3. SAR Measurement Results

The calculated SAR is obtained by the following formula:

$$\text{Reported SAR} = \text{Measured SAR} * 10^{(P_{\text{target}} - P_{\text{measured}})/10}$$

$$\text{Scaling factor} = 10^{(P_{\text{target}} - P_{\text{measured}})/10}$$

$$\text{Reported SAR} = \text{Measured SAR} * \text{Scaling factor}$$

Where P_{target} is the power of manufacturing upper limit;

$P_{measured}$ is the measured power;

Measured SAR is measured SAR at measured power which including power drift)

Reported SAR which including Power Drift and Scaling factor

The product with 2 SIMs and 2 SIMs(SIM1 and SIM2) can not used Simultaneous, we tested 2 SIMs(SIM1 and SIM2) and recorded worst case at SIM 1

Duty Cycle

Test Mode	Duty Cycle
Speech for GSM850/1900	1:8.3
GPRS850/1900	1:2
UMTS	1:1
WiFi2450	1:1

Table 5: SAR Values [GSM 850 (GSM/GPRS)]

Ch.	Freq. (MHz)	Time slots	Test Position	Maximum Allowed Power (dBm)	Conducted Power (dBm)	Power drift	Scaling Factor	SAR _{1-g} results(W/kg)		Graph Results
								Measured	Reported	
measured / reported SAR numbers - Head										
190	836.60	GSM	Left/Cheek	33.00	32.69	-0.12	1.07	0.388	0.415	Plot 1
190	836.60	GSM	Left/Tilt	33.00	32.69	-0.05	1.07	0.350	0.375	N/A
190	836.60	GSM	Right/Cheek	33.00	32.69	0.00	1.07	0.343	0.367	N/A
190	836.60	GSM	Right /Tilt	33.00	32.69	-0.06	1.07	0.284	0.304	N/A
measured / reported SAR numbers - Body (hotspot open, distance 10mm)										
190	836.60	4Txslots	Rear Side	29.00	28.03	-0.08	1.25	0.692	0.865	Plot 2
128	824.20	4Txslots	Rear Side	29.00	27.81	-0.07	1.32	0.627	0.828	N/A
251	848.80	4Txslots	Rear Side	29.00	27.64	-0.01	1.37	0.603	0.826	N/A
190	836.60	4Txslots	Front Side	29.00	28.03	-0.04	1.25	0.509	0.636	N/A
190	836.60	4Txslots	Left Side	29.00	28.03	-0.03	1.25	0.470	0.588	N/A
190	836.60	4Txslots	Right Side	29.00	28.03	-0.05	1.25	0.296	0.370	N/A
N/A	N/A	N/A	Top Side	N/A	N/A	N/A	N/A	N/A	N/A	N/A
190	836.60	4Txslots	Bottom Side	29.00	28.03	-0.13	1.25	0.661	0.826	N/A
128	824.20	4Txslots	Bottom Side	29.00	27.81	0.00	1.32	0.595	0.785	N/A
251	848.80	4Txslots	Bottom Side	29.00	27.64	0.09	1.37	0.566	0.775	N/A

Note:

1. The value with blue color is the maximum SAR Value of each test band.

2. Per FCC KDB Publication 447498 D01, if the reported (scaled) SAR measured at the middle channel or highest output power channel for each test configuration is ≤ 0.8 W/kg then testing at the other channels is optional for such test configuration(s).

3. When multiple slots are used, SAR should be tested to account for the maximum source-based time-averaged output power.

4. Per FCC KDB Publication 648474 D04, SAR was evaluated without a headset connected to the device. Since the reported SAR was ≤ 1.2 W/kg, no additional SAR evaluations using a headset cable were required.

Table 6: SAR Values [GSM 1900 (GSM/GPRS)]

Ch.	Freq. (MHz)	time slots	Test Position	Maximum Allowed Power (dBm)	Conducted Power (dBm)	Power drift	Scaling Factor	SAR _{1-g} results(W/kg)		Graph Results
								Measured	Reported	
measured / reported SAR numbers - Head										
661	1880.0	GSM	Left/Cheek	31.00	30.13	-0.10	1.22	0.375	0.458	Plot 3
661	1880.0	GSM	Left/Tilt	31.00	30.13	0.01	1.22	0.277	0.338	N/A
661	1880.0	GSM	Right/Cheek	31.00	30.13	-0.03	1.22	0.294	0.359	N/A
661	1880.0	GSM	Right /Tilt	31.00	30.13	0.00	1.22	0.226	0.276	N/A
measured / reported SAR numbers - Body (hotspot open, distance 10mm)										
661	1880.0	4Txslots	Rear Side	26.00	25.74	-0.11	1.06	0.622	0.659	Plot 4
661	1880.0	4Txslots	Front Side	26.00	25.74	0.02	1.06	0.593	0.629	N/A
661	1880.0	4Txslots	Left Side	26.00	25.74	-0.07	1.06	0.332	0.352	N/A
661	1880.0	4Txslots	Right Side	26.00	25.74	-0.09	1.06	0.126	0.134	N/A
N/A	N/A	N/A	Top Side	N/A	N/A	N/A	N/A	N/A	N/A	N/A
661	1880.0	4Txslots	Bottom Side	26.00	25.74	-0.07	1.06	0.563	0.597	N/A

Note:

- 1.The value with blue color is the maximum SAR Value of each test band.
2. Per FCC KDB Publication 447498 D01, if the reported (scaled) SAR measured at the middle channel or highest output power channel for each test configuration is ≤ 0.8 W/kg then testing at the other channels is optional for such test configuration(s).
3. When multiple slots are used, SAR should be tested to account for the maximum source-based time-averaged output power.
4. Per FCC KDB Publication 648474 D04, SAR was evaluated without a headset connected to the device. Since the reported SAR was ≤ 1.2 W/kg, no additional SAR evaluations using a headset cable were required.

Table 7: SAR Values [UMTS Band II (WCDMA/HSDPA/HSUPA)]

Ch.	Freq. (MHz)	Channel Type	Test Position	Maximum Allowed Power (dBm)	Conducted Power (dBm)	Power drift	Scaling Factor	SAR _{1-g} results(W/kg)		Graph Results
								Measured	Reported	
measured / reported SAR numbers - Head										
9440	1880.0	RMC	Left/Cheek	24.00	23.27	0.05	1.18	0.386	0.455	Plot 5
9440	1880.0	RMC	Left/Tilt	24.00	23.27	-0.07	1.18	0.462	0.545	N/A
9440	1880.0	RMC	Right/Cheek	24.00	23.27	-0.02	1.18	0.428	0.505	N/A
9440	1880.0	RMC	Right /Tilt	24.00	23.27	0.03	1.18	0.413	0.487	N/A
measured / reported SAR numbers - Body (hotspot open, distance 10mm)										
9440	1880.0	RMC	Rear Side	24.00	23.27	0.01	1.18	0.778	0.918	N/A
9538	1907.6	RMC	Rear Side	24.00	23.20	0.00	1.20	0.706	0.847	N/A
9262	1852.4	RMC	Rear Side	24.00	23.28	-0.11	1.18	0.630	0.743	N/A
9440	1880.0	RMC	Front Side	24.00	23.27	-0.04	1.18	0.677	0.799	N/A
9440	1880.0	RMC	Left Side	24.00	23.27	-0.05	1.18	0.310	0.366	N/A
9440	1880.0	RMC	Right Side	24.00	23.27	0.09	1.18	0.114	0.135	N/A
N/A	N/A	N/A	Top Side	N/A	N/A	N/A	N/A	N/A	N/A	N/A
9440	1880.0	RMC	Bottom Side	24.00	23.27	0.00	1.18	0.897	1.058	Plot 6
9538	1907.6	RMC	Bottom Side	24.00	23.20	0.03	1.20	0.788	0.946	N/A
9262	1852.4	RMC	Bottom Side	24.00	23.28	-0.06	1.18	0.685	0.808	N/A

Note:

- 1.The value with blue color is the maximum SAR Value of each test band.
2. Per FCC KDB Publication 447498 D01, if the reported (scaled) SAR measured at the middle channel or highest output power channel for each test configuration is ≤ 0.8 W/kg then testing at the other channels is optional for such test configuration(s).
3. Per FCC KDB Publication 648474 D04, SAR was evaluated without a headset connected to the device. Since the reported SAR was ≤ 1.2 W/kg, no additional SAR evaluations using a headset cable were required.
4. When the maximum output power and tune-up tolerance specified for production units in a secondary mode is $\leq 1/4$ dB higher than the primary mode or when the highest reported SAR of the primary mode is scaled by the ratio of specified maximum output power and tune-up tolerance of secondary to primary mode and the adjusted SAR is ≤ 1.2 W/kg, SAR measurement is not required for the secondary mode.
5. Channel Type RMC states RMC 12.2kbps.

Table 8: SAR Measurement Variability Results [UMTS Band II (WCDMA/HSDPA/HSUPA)]

Test Position	Channel/ Frequency (MHz)	Measured SAR _{1-g}	1 st Repeated SAR _{1-g}	Ratio	2 nd Repeated SAR _{1-g}	3 rd Repeated SAR _{1-g}
Bottom Side	9440/1880.0	0.897	0.911	1.02	N/A	N/A

Note: 1) When the original highest measured SAR is ≥ 0.80 W/kg, the measurement was repeated once.
2) A second repeated measurement was performed only if the ratio of largest to smallest SAR for the original and first repeated measurements was > 1.20 or when the original or repeated measurement was ≥ 1.45 W/kg (~ 10% from the 1-g SAR limit).
3) A third repeated measurement was performed only if the original, first or second repeated measurement was ≥ 1.5 W/kg and the ratio of largest to smallest SAR for the original, first and second repeated measurements is > 1.20 .
4) Repeated measurements are not required when the original highest measured SAR is < 0.80 W/kg

Table 9: SAR Values [UMTS Band V (WCDMA/HSDPA/HSUPA)]

Ch.	Freq. (MHz)	Channel Type	Test Position	Maximum Allowed Power (dBm)	Conducted Power (dBm)	Power drift	Scaling Factor	SAR _{1-g} results(W/kg)		Graph Results
								Measured	Reported	
measured / reported SAR numbers - Head										
4183	836.6	RMC	Left/Cheek	24.00	23.91	-0.06	1.02	0.428	0.437	Plot 7
4183	836.6	RMC	Left/Tilt	24.00	23.91	0.11	1.02	0.358	0.365	N/A
4183	836.6	RMC	Right/Cheek	24.00	23.91	-0.06	1.02	0.419	0.427	N/A
4183	836.6	RMC	Right/Tilt	24.00	23.91	-0.03	1.02	0.320	0.326	N/A
measured / reported SAR numbers - Body (hotspot open, distance 10mm)										
4183	836.6	RMC	Rear Side	24.00	23.91	-0.03	1.02	0.850	0.867	Plot 8
4233	846.6	RMC	Rear Side	24.00	23.91	0.01	1.02	0.742	0.757	N/A
4132	826.4	RMC	Rear Side	24.00	23.79	-0.12	1.05	0.703	0.738	N/A
4183	836.6	RMC	Front Side	24.00	23.91	-0.02	1.02	0.768	0.783	N/A
4183	836.6	RMC	Left Side	24.00	23.91	-0.04	1.02	0.525	0.536	N/A
4183	836.6	RMC	Right Side	24.00	23.91	-0.02	1.02	0.348	0.355	N/A
N/A	N/A	N/A	Top Side	N/A	N/A	N/A	N/A	N/A	N/A	N/A
4183	836.6	RMC	Bottom Side	24.00	23.91	-0.01	1.02	0.768	0.783	N/A
4233	846.6	RMC	Bottom Side	24.00	23.91	-0.01	1.02	0.693	0.707	N/A
4132	826.4	RMC	Bottom Side	24.00	23.79	-0.05	1.05	0.647	0.679	N/A

Note:

- The value with blue color is the maximum SAR Value of each test band.
- Per FCC KDB Publication 447498 D01, if the reported (scaled) SAR measured at the middle channel or highest output power channel for each test configuration is ≤ 0.8 W/kg then testing at the other channels is optional for such test configuration(s).
- Per FCC KDB Publication 648474 D04, SAR was evaluated without a headset connected to the device. Since the reported SAR was ≤ 1.2 W/kg, no additional SAR evaluations using a headset cable were required.
- When the maximum output power and tune-up tolerance specified for production units in a secondary mode is $\leq \frac{1}{4}$ dB higher than the primary mode or when the highest reported SAR of the primary mode is scaled by the ratio of specified maximum output power and tune-up tolerance of secondary to primary mode and the adjusted SAR is ≤ 1.2 W/kg, SAR measurement is not required for the secondary mode.
- Channel Type RMC states RMC 12.2kbps.

Table 10: SAR Measurement Variability Results [UMTS Band V (WCDMA/HSDPA/HSUPA)]

Test Position	Channel/Frequency (MHz)	Measured SAR _{1-g}	1 st Repeated SAR _{1-g}	Ratio	2 nd Repeated SAR _{1-g}	3 rd Repeated SAR _{1-g}
Rear Side	4183/836.6	0.850	0.844	0.99	N/A	N/A

- Note: 1) When the original highest measured SAR is ≥ 0.80 W/kg, the measurement was repeated once.
2) A second repeated measurement was performed only if the ratio of largest to smallest SAR for the original and first repeated measurements was > 1.20 or when the original or repeated measurement was ≥ 1.45 W/kg (~ 10% from the 1-g SAR limit).
3) A third repeated measurement was performed only if the original, first or second repeated measurement was ≥ 1.5 W/kg and the ratio of largest to smallest SAR for the original, first and second repeated measurements is > 1.20 .
4) Repeated measurements are not required when the original highest measured SAR is < 0.80 W/kg

Table 11: SAR Values [WiFi 802.11b/g/n]

Ch.	Freq. (MHz)	Service	Test Position	Maximum Allowed Power (dBm)	Conducted Power (dBm)	Power drift	Scaling Factor	SAR _{1-g} results(W/kg)		Graph Results
								Measured	Reported	
measured / reported SAR numbers - Head										
6	2437	DSSS	Right/Cheek	16.00	15.50	-0.07	1.12	0.560	0.627	Plot 9
6	2437	DSSS	Right/Tilt	16.00	15.50	0.00	1.12	0.498	0.558	N/A
6	2437	DSSS	Left/Cheek	16.00	15.50	-0.02	1.12	0.487	0.545	N/A
6	2437	DSSS	Left/Tilt	16.00	15.50	-0.05	1.12	0.451	0.505	N/A
measured / reported SAR numbers - Body (hotspot open, distance 10mm)										
6	2437	DSSS	Rear Side	16.00	15.50	0.10	1.12	0.305	0.342	Plot 10
6	2437	DSSS	Front Side	16.00	15.50	-0.08	1.12	0.272	0.305	N/A
6	2437	DSSS	Left Side	16.00	15.50	-0.12	1.12	0.109	0.122	N/A
6	2437	DSSS	Right Side	16.00	15.50	0.10	1.12	0.236	0.264	N/A
6	2437	DSSS	Top Side	16.00	15.50	-0.06	1.12	0.248	0.278	N/A
N/A	N/A	N/A	Bottom Side	N/A	N/A	N/A	N/A	N/A	N/A	N/A

Note:

1. The value with blue color is the maximum SAR Value of each test band.
2. Per FCC KDB Publication 447498 D01, if the reported (scaled) SAR measured at the middle channel or highest output power channel for each test configuration is ≤ 0.8 W/kg then testing at the other channels is optional for such test configuration(s).
3. KDB 248227-SAR is not required for 802.11g/n channels when the maximum average output power is less than $\frac{1}{4}$ dB higher than measured on the corresponding 802.11b channels.

5.4. SAR Measurement Variability

According to KDB865664, Repeated measurements are required only when the measured SAR is ≥ 0.80 W/kg. If the measured SAR value of the initial repeated measurement is < 1.45 W/kg with $\leq 20\%$ variation, only one repeated measurement is required to reaffirm that the results are not expected to have substantial variations, which may introduce significant compliance concerns. A second repeated measurement is required only if the measured result for the initial repeated measurement is within 10% of the SAR limit and vary by more than 20%, which are often related to device and measurement setup difficulties. The following procedures are applied to determine if repeated measurements are required. The same procedures should be adapted for measurements according to extremity and occupational exposure limits by applying a factor of 2.5 for extremity exposure and a factor of 5 for occupational exposure to the corresponding SAR thresholds.¹⁹ The repeated measurement results must be clearly identified in the SAR report. All measured SAR, including the repeated results, must be considered to determine compliance and for reporting according to KDB 690783. Repeated measurement is not required when the original highest measured SAR is < 0.80 W/kg; steps 2) through 4) do not apply.

- 1) When the original highest measured SAR is ≥ 0.80 W/kg, repeat that measurement once.
- 2) Perform a second repeated measurement only if the ratio of largest to smallest SAR for the original and first repeated measurements is > 1.20 or when the original or repeated measurement is ≥ 1.45 W/kg ($\sim 10\%$ from the 1-g SAR limit).
- 3) Perform a third repeated measurement only if the original, first or second repeated measurement is ≥ 1.5 W/kg and the ratio of largest to smallest SAR for the original, first and second repeated measurements is > 1.20 .
- 4) Perform a third repeated measurement only if the original, first or second repeated measurement is ≥ 1.5 W/kg and the ratio of largest to smallest SAR for the original, first and second repeated measurements is > 1.20 .

5.5. General description of test procedures

1. The DUT is tested using CMU 200 communications testers as controller unit to set test channels and maximum output power to the DUT, as well as for measuring the conducted peak power.
2. Test positions as described in the tables above are in accordance with the specified test standard.
3. Tests in body position were performed in that configuration, which generates the highest time based averaged output power (see conducted power results).
4. Tests in head position with GSM were performed in voice mode with 1 timeslot unless GPRS/EGPRS/DTM function allows parallel voice and data traffic on 2 or more timeslots.
5. UMTS was tested in RMC mode with 12.2 kbit/s and TPC bits set to 'all 1'.

6. WLAN was tested in 802.11a/b mode with 1 MBit/s and 6 MBit/s. According to KDB 248227 the SAR testing for 802.11g/n is not required since the maximum power of 802.11g/n is less ¼ dB higher than maximum power of 802.11a/b.
7. Required WLAN test channels were selected according to KDB 248227
8. According to FCC KDB pub 941225 D06 this device has been tested with 10 mm distance to the phantom for operation in WLAN hot spot mode.
9. Per FCC KDB pub 941225 D06 the edges with antennas within 2.5 cm are required to be evaluated for SAR to cover WLAN hot spot function.
10. According to IEEE 1528 the SAR test shall be performed at middle channel. Testing of top and bottom channel is optional.
11. According to KDB 447498 D01 testing of other required channels within the operating mode of a frequency band is not required when the reported 1-g or 10-g SAR for the mid-band or highest output power channel is:
 - ≤ 0.8 W/kg or 2.0 W/kg, for 1-g or 10-g respectively, when the transmission band is ≤ 100 MHz
 - ≤ 0.6 W/kg or 1.5 W/kg, for 1-g or 10-g respectively, when the transmission band is between 100 MHz and 200 MHz
 - ≤ 0.4 W/kg or 1.0 W/kg, for 1-g or 10-g respectively, when the transmission band is ≥ 200 MHz
12. IEEE 1528-2003 require the middle channel to be tested first. This generally applies to wireless devices that are designed to operate in technologies with tight tolerances for maximum output power variations across channels in the band. When the maximum output power variation across the required test channels is $> \frac{1}{2}$ dB, instead of the middle channel, the highest output power channel must be used.
13. Per KDB648474 D04 require when the reported SAR for a body-worn accessory, measured without a headset connected to the handset, is < 1.2 W/kg.
14. Per KDB648474 D04 require when the separation distance required for body-worn accessory testing is larger than or equal to that tested for hotspot mode, using the same wireless mode test configuration for voice and data, such as UMTS, LTE and Wi-Fi, and for the same surface of the phone, the hotspot mode SAR data may be used to support body-worn accessory SAR compliance for that particular configuration (surface)
15. 10-g extremity SAR is required only for the surfaces and edges with hotspot mode 1-g SAR > 1.2 W/kg.
16. Per KDB648474 D04 require for phablet SAR test considerations, For smart phones with a display diagonal dimension > 15.0 cm or an overall diagonal dimension > 16.0 cm, When hotspot mode applies, 10-g extremity SAR is required only for the surfaces and edges with hotspot mode 1-g reported SAR > 1.2 W/kg.
17. 10-g extremity SAR is required only for the surfaces and edges with hotspot mode 1-g SAR > 1.2 W/kg.

5.6. Measurement Uncertainty (300MHz-3GHz)

Relative DSAY5 Uncertainty Budget for SAR Tests										
According to IEEE 1528/2013 and IEC62209-1/2006										
No.	Error Description	Type	Uncertainty Value	Probably Distribution	Div.	(Ci) 1g	(Ci) 10g	Std. Unc. (1g)	Std. Unc. (10g)	Degree of freedom
Measurement System										
1	Probe calibration	B	5.50%	N	1	1	1	5.50%	5.50%	∞
2	Axial isotropy	B	4.70%	R	$\sqrt{3}$	0.7	0.7	1.90%	1.90%	∞
3	Hemispherical isotropy	B	9.60%	R	$\sqrt{3}$	0.7	0.7	3.90%	3.90%	∞
4	Boundary Effects	B	1.00%	R	$\sqrt{3}$	1	1	0.60%	0.60%	∞
5	Probe Linearity	B	4.70%	R	$\sqrt{3}$	1	1	2.70%	2.70%	∞
6	Detection limit	B	1.00%	R	$\sqrt{3}$	1	1	0.60%	0.60%	∞
7	RF ambient conditions-noise	B	0.00%	R	$\sqrt{3}$	1	1	0.00%	0.00%	∞
8	RF ambient conditions-reflection	B	0.00%	R	$\sqrt{3}$	1	1	0.00%	0.00%	∞
9	Response time	B	0.80%	R	$\sqrt{3}$	1	1	0.50%	0.50%	∞
10	Integration	B	5.00%	R	$\sqrt{3}$	1	1	2.90%	2.90%	∞

	time									
11	RF ambient	B	3.00%	R	$\sqrt{3}$	1	1	1.70%	1.70%	∞
12	Probe positioned mech. restrictions	B	0.40%	R	$\sqrt{3}$	1	1	0.20%	0.20%	∞
13	Probe positioning with respect to phantom shell	B	2.90%	R	$\sqrt{3}$	1	1	1.70%	1.70%	∞
14	Max.SAR evaluation	B	3.90%	R	$\sqrt{3}$	1	1	2.30%	2.30%	∞
Test Sample Related										
15	Test sample positioning	A	1.86%	N	1	1	1	1.86%	1.86%	∞
16	Device holder uncertainty	A	1.70%	N	1	1	1	1.70%	1.70%	∞
17	Drift of output power	B	5.00%	R	$\sqrt{3}$	1	1	2.90%	2.90%	∞
Phantom and Set-up										
18	Phantom uncertainty	B	4.00%	R	$\sqrt{3}$	1	1	2.30%	2.30%	∞
19	Liquid conductivity (target)	B	5.00%	R	$\sqrt{3}$	0.64	0.43	1.80%	1.20%	∞
20	Liquid conductivity (meas.)	A	0.50%	N	1	0.64	0.43	0.32%	0.26%	∞
21	Liquid permittivity (target)	B	5.00%	R	$\sqrt{3}$	0.64	0.43	1.80%	1.20%	∞
22	Liquid cpermittivity (meas.)	A	0.16%	N	1	0.64	0.43	0.10%	0.07%	∞
Combined standard uncertainty	$u_c = \sqrt{\sum_{i=1}^{22} c_i^2 u_i^2}$		/	/	/	/	/	10.20%	10.00%	∞
Expanded uncertainty (confidence interval of 95 %)	$u_e = 2u_c$		/	R	K=2	/	/	20.40%	20.00%	∞

Relative DSA Y5 Uncertainty Budget for SAR Tests

According to IEC62209-2/2010

No.	Error Description	Type	Uncertainty Value	Probably Distribution	Div.	(Ci) 1g	(Ci) 10g	Std. Unc. (1g)	Std. Unc. (10g)	Degree of freedom
Measurement System										
1	Probe calibration	B	6.20%	N	1	1	1	6.20%	6.20%	∞
2	Axial isotropy	B	4.70%	R	$\sqrt{3}$	0.7	0.7	1.90%	1.90%	∞
3	Hemispherical isotropy	B	9.60%	R	$\sqrt{3}$	0.7	0.7	3.90%	3.90%	∞
4	Boundary Effects	B	2.00%	R	$\sqrt{3}$	1	1	1.20%	1.20%	∞
5	Probe Linearity	B	4.70%	R	$\sqrt{3}$	1	1	2.70%	2.70%	∞
6	Detection limit	B	1.00%	R	$\sqrt{3}$	1	1	0.60%	0.60%	∞

7	RF ambient conditions-noise	B	0.00%	R	$\sqrt{3}$	1	1	0.00%	0.00%	∞
8	RF ambient conditions-reflection	B	0.00%	R	$\sqrt{3}$	1	1	0.00%	0.00%	∞
9	Response time	B	0.80%	R	$\sqrt{3}$	1	1	0.50%	0.50%	∞
10	Integration time	B	5.00%	R	$\sqrt{3}$	1	1	2.90%	2.90%	∞
11	RF Ambient	B	3.00%	R	$\sqrt{3}$	1	1	1.70%	1.70%	∞
12	Probe positioned mech. restrictions	B	0.80%	R	$\sqrt{3}$	1	1	0.50%	0.50%	∞
13	Probe positioning with respect to phantom shell	B	6.70%	R	$\sqrt{3}$	1	1	3.90%	3.90%	∞
14	Max.SAR Evalation	B	3.90%	R	$\sqrt{3}$	1	1	2.30%	2.30%	∞
15	Modulation Response	B	2.40%	R	$\sqrt{3}$	1	1	1.40%	1.40%	∞
Test Sample Related										
16	Test sample positioning	A	1.86%	N	1	1	1	1.86%	1.86%	∞
17	Device holder uncertainty	A	1.70%	N	1	1	1	1.70%	1.70%	∞
18	Drift of output power	B	5.00%	R	$\sqrt{3}$	1	1	2.90%	2.90%	∞
Phantom and Set-up										
19	Phantom uncertainty	B	6.10%	R	$\sqrt{3}$	1	1	3.50%	3.50%	∞
20	SAR correction	B	1.90%	R	$\sqrt{3}$	1	0.84	1.11%	0.90%	∞
21	Liquid conductivity (target)	B	5.00%	R	$\sqrt{3}$	0.64	0.43	1.80%	1.20%	∞
22	Liquid conductivity (meas.)	A	0.50%	N	1	0.64	0.43	0.32%	0.26%	∞
23	Liquid permittivity (target)	B	5.00%	R	$\sqrt{3}$	0.64	0.43	1.80%	1.20%	∞
24	Liquid permittivity (meas.)	A	0.16%	N	1	0.64	0.43	0.10%	0.07%	∞
25	Temp.Unc.-Conductivity	B	3.40%	R	$\sqrt{3}$	0.78	0.71	1.50%	1.40%	∞
26	Temp.Unc.-Permittivity	B	0.40%	R	$\sqrt{3}$	0.23	0.26	0.10%	0.10%	∞
Combined standard uncertainty	$u_c = \sqrt{\sum_{i=1}^{22} c_i^2 u_i^2}$		/	/	/	/	/	12.90%	12.70%	∞
Expanded uncertainty (confidence interval of 95 %)	$u_e = 2u_c$		/	R	K=2	/	/	25.80%	25.40%	∞

Uncertainty of a System Performance Check with DASY5 System										
According to IEC62209-2/2010										
No.	Error Description	Type	Uncertainty Value	Probably Distribution	Div.	(Ci) 1g	(Ci) 10g	Std. Unc. (1g)	Std. Unc. (10g)	Degree of freedom
Measurement System										
1	Probe calibration	B	6.00%	N	1	1	1	6.00%	6.00%	∞
2	Axial isotropy	B	4.70%	R	$\sqrt{3}$	0.7	0.7	1.90%	1.90%	∞
3	Hemispherical isotropy	B	0.00%	R	$\sqrt{3}$	0.7	0.7	0.00%	0.00%	∞
4	Boundary Effects	B	1.00%	R	$\sqrt{3}$	1	1	0.60%	0.60%	∞
5	Probe Linearity	B	4.70%	R	$\sqrt{3}$	1	1	2.70%	2.70%	∞
6	Detection limit	B	1.00%	R	$\sqrt{3}$	1	1	0.60%	0.60%	∞
7	RF ambient conditions-noise	B	0.00%	R	$\sqrt{3}$	1	1	0.00%	0.00%	∞
8	RF ambient conditions-reflection	B	0.00%	R	$\sqrt{3}$	1	1	0.00%	0.00%	∞
9	Response time	B	0.80%	R	$\sqrt{3}$	1	1	0.50%	0.50%	∞
10	Integration time	B	5.00%	R	$\sqrt{3}$	1	1	2.90%	2.90%	∞
11	RF Ambient	B	3.00%	R	$\sqrt{3}$	1	1	1.70%	1.70%	∞
12	Probe positioned mech. restrictions	B	0.80%	R	$\sqrt{3}$	1	1	0.50%	0.50%	∞
13	Probe positioning with respect to phantom shell	B	6.70%	R	$\sqrt{3}$	1	1	3.90%	3.90%	∞
14	Max.SAR Evaluation	B	3.90%	R	$\sqrt{3}$	1	1	2.30%	2.30%	∞
15	Modulation Response	B	2.40%	R	$\sqrt{3}$	1	1	1.40%	1.40%	∞
Test Sample Related										
16	Test sample positioning	A	0.00%	N	1	1	1	0.00%	0.00%	∞
17	Device holder uncertainty	A	2.00%	N	1	1	1	2.00%	2.00%	∞
18	Drift of output power	B	3.40%	R	$\sqrt{3}$	1	1	2.00%	2.00%	∞
Phantom and Set-up										
19	Phantom uncertainty	B	4.00%	R	$\sqrt{3}$	1	1	2.30%	2.30%	∞
20	SAR correction	B	1.90%	R	$\sqrt{3}$	1	0.84	1.11%	0.90%	∞
21	Liquid conductivity (meas.)	A	0.50%	N	1	0.64	0.43	0.32%	0.26%	∞
22	Liquid permittivity (meas.)	A	0.16%	N	1	0.64	0.43	0.10%	0.07%	∞
23	Temp.Unc.-Conductivity	B	1.70%	R	$\sqrt{3}$	0.78	0.71	0.80%	0.80%	∞

24	Temp.Unc.- Permittivity	B	0.40%	R	$\sqrt{3}$	0.23	0.26	0.10%	0.10%	∞
Combined standard uncertainty	$u_c = \sqrt{\sum_{i=1}^{22} c_i^2 u_i^2}$		/	/	/	/	/	12.90%	12.70%	∞
Expanded uncertainty (confidence interval of 95 %)	$u_e = 2u_c$		/	R	K=2	/	/	18.80%	18.40%	∞



5.7. System Check Results

System Performance Check at 835 MHz Head

DUT: Dipole 835 MHz; Type: D835V2; Serial: 4d134

Date/Time: 01/15/2015 AM

Communication System: CW; Frequency: 835 MHz; Duty Cycle: 1:1

Medium parameters used (interpolated): $f = 835$ MHz; $\sigma = 0.92$ S/m; $\epsilon_r = 41.70$; $\rho = 1000$ kg/m³

Phantom section: Flat Section

DASY5 Configuration:

Probe: ES3DV3 – SN3292; ConvF(6.23,6.23, 6.23); Calibrated: 08/15/2014;

Sensor-Surface: 3mm (Mechanical Surface Detection)

Electronics: DAE4 Sn1315; Calibrated: 07/22/2014;

Phantom: SAM 1; Type: SAM;

Measurement SW: DASY52, Version 52.8 (2); SEMCAD X Version 14.6.5 (6469)

Area Scan (61x61x1): Measurement grid: dx=15.00 mm, dy=15.00 mm

Maximum value of SAR (interpolated) = 12.3 W/Kg

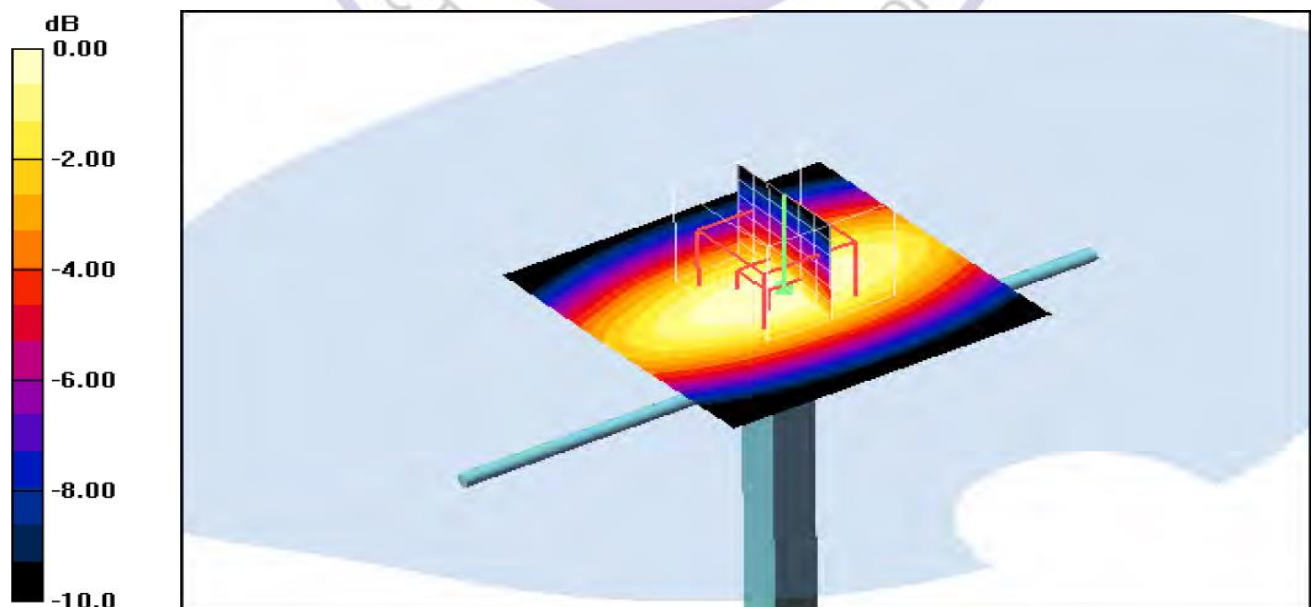
Zoom Scan (7x7x7)/Cube 0: Measurement grid: dx=5mm, dy=5mm, dz=5mm

Reference Value = 117.8 V/m; Power Drift = -0.01 dB

Peak SAR (extrapolated) = 12.40 W/kg

SAR(1 g) = 10.00 W/Kg; SAR(10 g) = 6.41 W/Kg

Maximum value of SAR (measured) = 11.5 W/Kg



0 dB = 11.5 W/Kg = 10.61 dB W/Kg

System Performance Check at 835 MHz Body

DUT: Dipole 835 MHz; Type: D835V2; Serial: 4d134

Date/Time: 01/16/2015 PM

Communication System: CW; Frequency: 835 MHz; Duty Cycle: 1:1

Medium parameters used (interpolated): $f = 835$ MHz; $\sigma = 1.00$ S/m; $\epsilon_r = 53.90$; $\rho = 1000$ kg/m³

Phantom section: Flat Section

DASY5 Configuration:

Probe: ES3DV3 – SN3292; ConvF(6.11,6.11, 6.11); Calibrated: 08/15/2014;

Sensor-Surface: 3mm (Mechanical Surface Detection)

Electronics: DAE4 Sn1315; Calibrated: 07/22/2014;

Phantom: SAM 1; Type: SAM;

Measurement SW: DASY52, Version 52.8 (2); SEMCAD X Version 14.6.5 (6469)

Area Scan (61x61x1): Measurement grid: $dx=15.00$ mm, $dy=15.00$ mm

Maximum value of SAR (interpolated) = 10.7 W/Kg

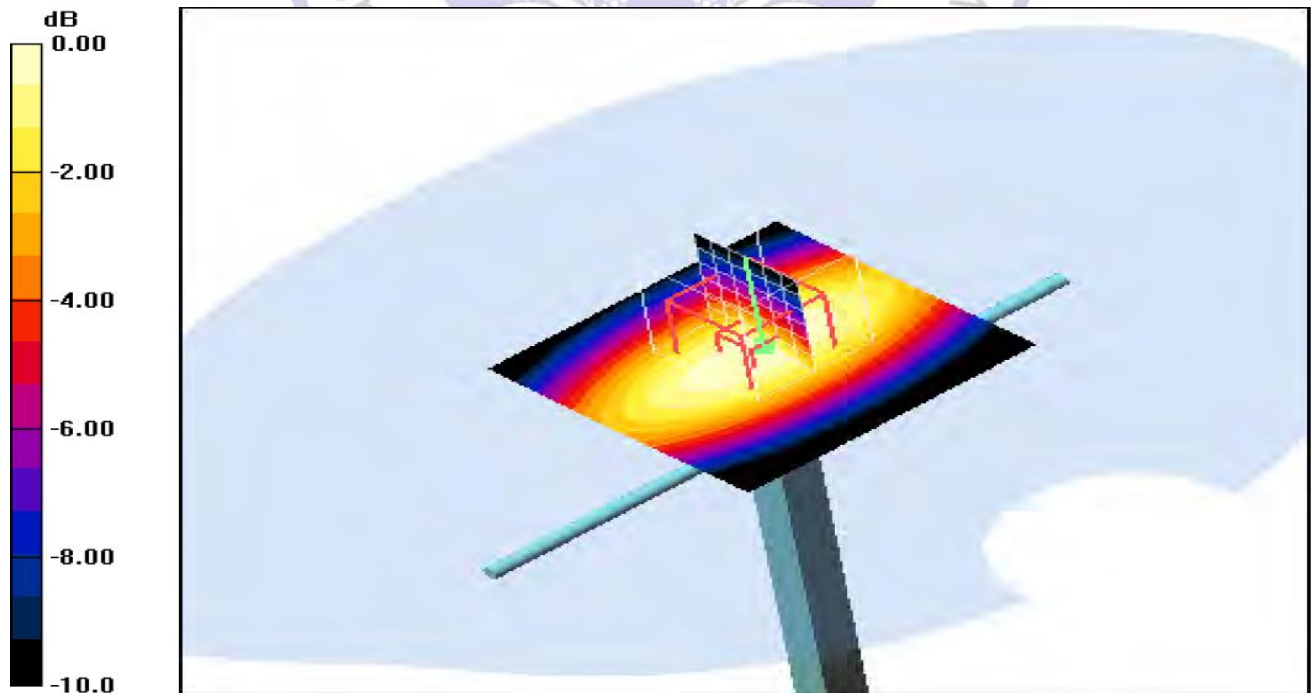
Zoom Scan (7x7x7)/Cube 0: Measurement grid: $dx=5$ mm, $dy=5$ mm, $dz=5$ mm

Reference Value = 110.6 V/m; Power Drift = -0.08 dB

Peak SAR (extrapolated) = 13.8 W/kg

SAR(1 g) = 10.10 W/Kg; SAR(10 g) = 6.26 W/Kg

Maximum value of SAR (measured) = 11.4 W/Kg



0 dB = 11.40 W/Kg = 10.57 dB W/Kg

System Performance Check at 1900 MHz Head

DUT: Dipole 1900 MHz; Type: D1900V2; Serial: 5d072

Date/Time: 01/16/2015 PM

Communication System: CW; Frequency: 1900 MHz; Duty Cycle: 1:1

Medium parameters used (interpolated): $f = 1900$ MHz; $\sigma = 1.44$ S/m; $\epsilon_r = 40.50$; $\rho = 1000$ kg/m³

Phantom section: Flat Section

DASY5 Configuration:

Probe: ES3DV3 – SN3292; ConvF(5.03,5.03, 5.03); Calibrated: 08/15/2014;

Sensor-Surface: 3mm (Mechanical Surface Detection)

Electronics: DAE4 Sn1315; Calibrated: 07/22/2014;

Phantom: SAM 1; Type: SAM;

Measurement SW: DASY52, Version 52.8 (1); SEMCAD X Version 14.6.5 (6469)

Area Scan (61x61x1): Measurement grid: dx=15.00 mm, dy=15.00 mm

Maximum value of SAR (interpolated) = 50.3 W/Kg

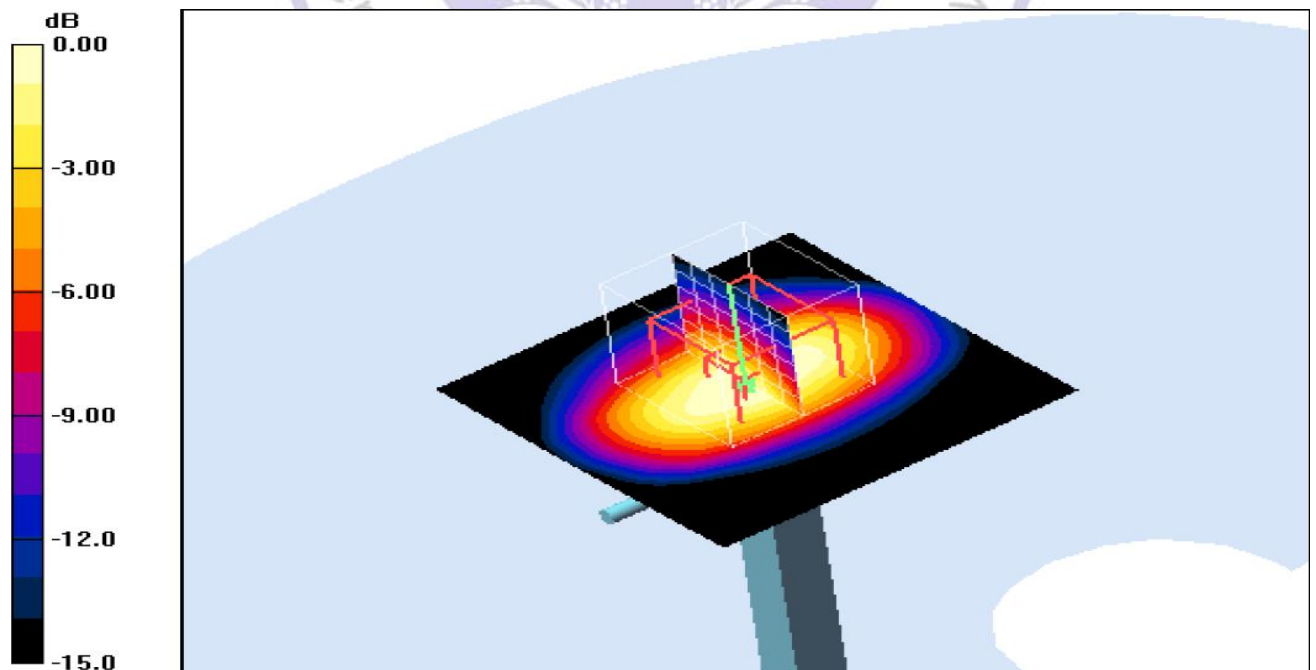
Zoom Scan (7x7x7)/Cube 0: Measurement grid: dx=5mm, dy=5mm, dz=5mm

Reference Value = 185.3 V/m; Power Drift = 0.00 dB

Peak SAR (extrapolated) = 66.8 W/Kg

SAR(1 g) = 38.60 W/Kg; SAR(10 g) = 20.50 W/Kg

Maximum value of SAR (measured) = 44.0 W/Kg



0 dB = 44.00 W/Kg = 16.43 dB W/Kg

System Performance Check at 1900 MHz Body

DUT: Dipole 1900 MHz; Type: D1900V2; Serial: 5d072

Date/Time: 01/17/2015 PM

Communication System: CW; Frequency: 1900 MHz; Duty Cycle: 1:1

Medium parameters used (interpolated): $f = 1900$ MHz; $\sigma = 1.52$ S/m; $\epsilon_r = 53.50$; $\rho = 1000$ kg/m³

Phantom section: Flat Section

DASY5 Configuration:

Probe: ES3DV3 – SN3292; ConvF(4.66,4.66, 4.66); Calibrated: 08/15/2014;

Sensor-Surface: 3mm (Mechanical Surface Detection)

Electronics: DAE4 Sn1315; Calibrated: 07/22/2014;

Phantom: SAM 1; Type: SAM;

Measurement SW: DASY52, Version 52.8 (1); SEMCAD X Version 14.6.5 (6469)

Area Scan (61x61x1): Measurement grid: dx=15.00 mm, dy=15.00 mm

Maximum value of SAR (interpolated) = 53.60 W/Kg

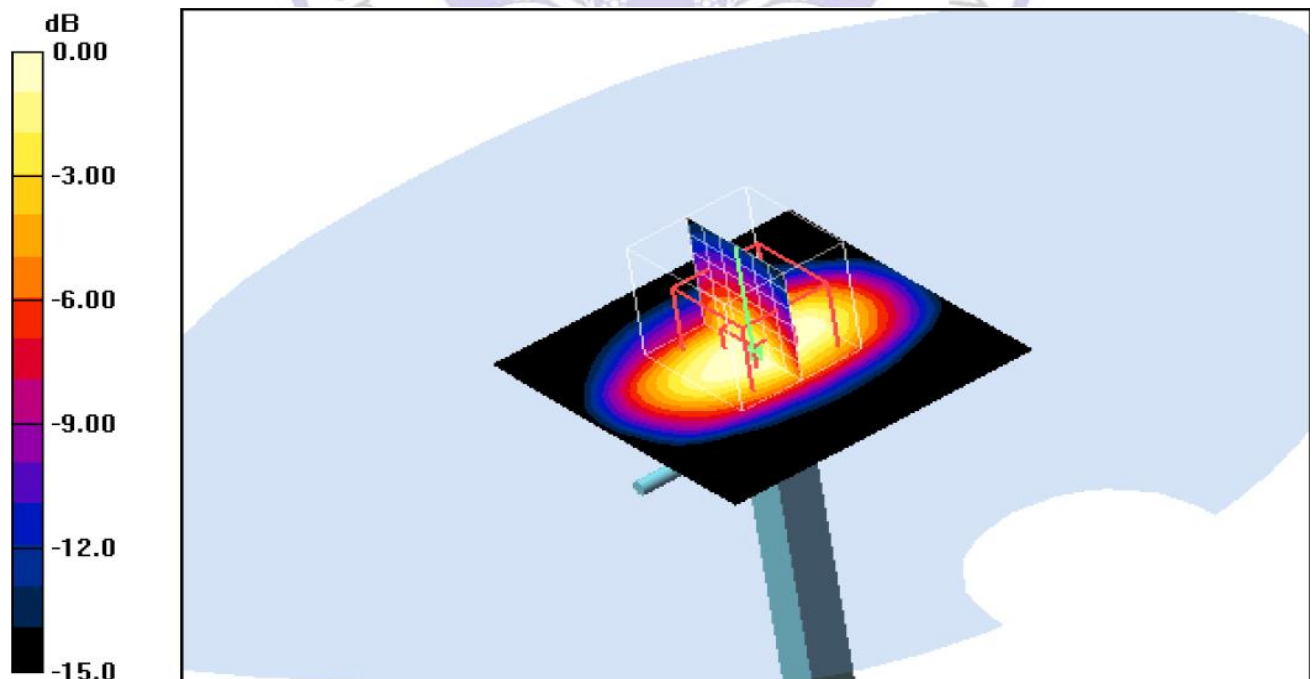
Zoom Scan (7x7x7)/Cube 0: Measurement grid: dx=5mm, dy=5mm, dz=5mm

Reference Value = 182.10 V/m; Power Drift = -0.06 dB

Peak SAR (extrapolated) = 63.0 W/Kg

SAR(1 g) = 38.70 W/Kg; SAR(10 g) = 20.90 W/Kg

Maximum value of SAR (measured) = 44.00 W/Kg



0 dB = 44.00 W/Kg = 16.43 dB W/Kg

System Performance Check at 2450 MHz Head

DUT: Dipole 2450 MHz; Type: D2450V2; Serial: 884

Date/Time: 01/17/2015 AM

Communication System: CW; Frequency: 2450 MHz; Duty Cycle: 1:1

Medium parameters used (interpolated): $f = 2450$ MHz; $\sigma = 1.79$ S/m; $\epsilon_r = 43.50$; $\rho = 1000$ kg/m³

Phantom section: Flat Section

DASY5 Configuration:

Probe: ES3DV3 – SN3292; ConvF(4.43,4.43, 4.43); Calibrated: 08/15/2014;

Sensor-Surface: 3mm (Mechanical Surface Detection)

Electronics: DAE4 Sn1315; Calibrated: 07/22/2014;

Phantom: SAM 1; Type: SAM;

Measurement SW: DASY52, Version 52.8 (1); SEMCAD X Version 14.6.5 (6469)

Area Scan (61x61x1): Measurement grid: dx=15.00 mm, dy=15.00 mm

Maximum value of SAR (interpolated) = 82.0 W/Kg

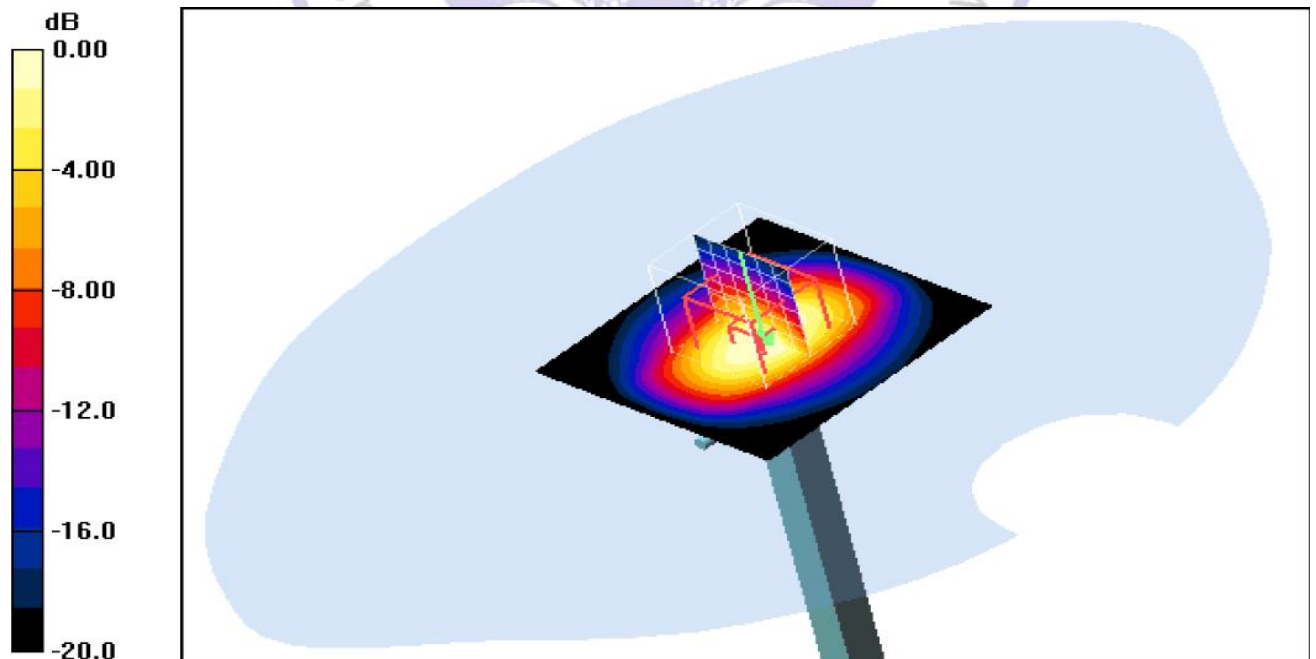
Zoom Scan (7x7x7)/Cube 0: Measurement grid: dx=5mm, dy=5mm, dz=5mm

Reference Value = 201.8 V/m; Power Drift = -0.03 dB

Peak SAR (extrapolated) = 114.00 W/Kg

SAR(1 g) = 54.20 W/Kg; SAR(10 g) = 25.40 W/Kg

Maximum value of SAR (measured) = 61.5 W/Kg



0 dB = 61.5 W/Kg = 17.89 dB W/Kg

System Performance Check at 2450 MHz Body

DUT: Dipole 2450 MHz; Type: D2450V2; Serial: 884

Date/Time: 01/18//2015 AM

Communication System: CW; Frequency: 2450 MHz; Duty Cycle: 1:1

Medium parameters used (interpolated): $f = 2450$ MHz; $\sigma = 1.98$ S/m; $\epsilon_r = 52.80$; $\rho = 1000$ kg/m³

Phantom section: Flat Section

DASY5 Configuration:

Probe: ES3DV3 – SN3292; ConvF(4.23,4.23, 4.23); Calibrated: 08/15/2014;

Sensor-Surface: 3mm (Mechanical Surface Detection)

Electronics: DAE4 Sn1315; Calibrated: 07/22/2014;

Phantom: SAM 1; Type: SAM;

Measurement SW: DASY52, Version 52.8 (1); SEMCAD X Version 14.6.5 (6469)

Area Scan (61x61x1): Measurement grid: dx=15.00 mm, dy=15.00 mm

Maximum value of SAR (interpolated) = 74.0 W/Kg

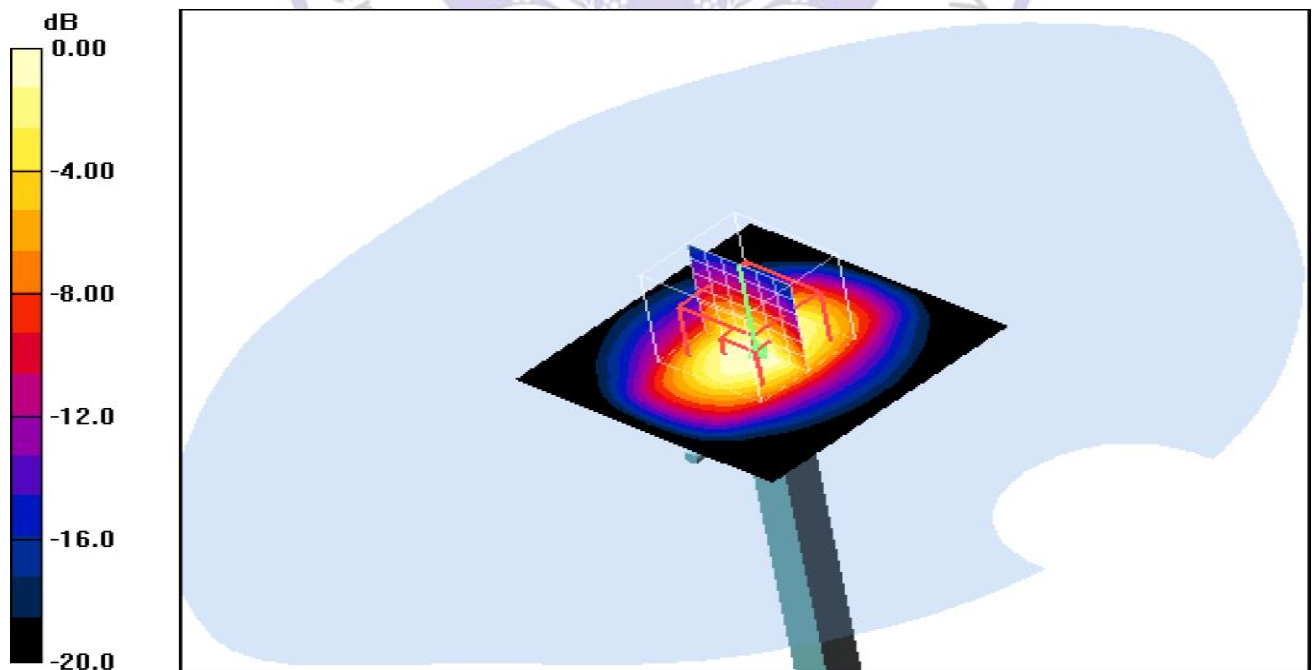
Zoom Scan (7x7x7)/Cube 0: Measurement grid: dx=5mm, dy=5mm, dz=5mm

Reference Value = 184.0 V/m; Power Drift = -0.01 dB

Peak SAR (extrapolated) = 99.8 W/Kg

SAR(1 g) = 49.10 W/Kg; SAR(10 g) = 24.00 W/Kg

Maximum value of SAR (measured) = 57.0 W/Kg



0 dB = 57.0 W/Kg = 17.56 dB W/Kg

5.8. SAR Test Graph Results

SAR plots for **the highest measured SAR** in each exposure configuration, wireless mode and frequency band combination according to FCC KDB 865664 D02

GSM850 Left Head Cheek Middle Channel

Communication System: Customer System; Frequency: 836.6 MHz; Duty Cycle: 1:8.3

Medium parameters used (interpolated): $f = 836.6$ MHz; $\sigma = 0.93$ S/m; $\epsilon_r = 41.70$; $\rho = 1000$ kg/m³

Phantom section : Left Section

Probe: ES3DV3 – SN3292; ConvF(6.23,6.23, 6.23); Calibrated: 08/15/2014;

Sensor-Surface: 3mm (Mechanical Surface Detection)

Electronics: DAE4 Sn1315; Calibrated: 07/22/2014;

Measurement SW: DASY52, Version 52.8 (2); SEMCAD X Version 14.6.6 (6824)

Area Scan (81x81x1): Measurement grid: $dx=1.50$ mm, $dy=1.50$ mm

Maximum value of SAR (interpolated) = 0.420 W/Kg

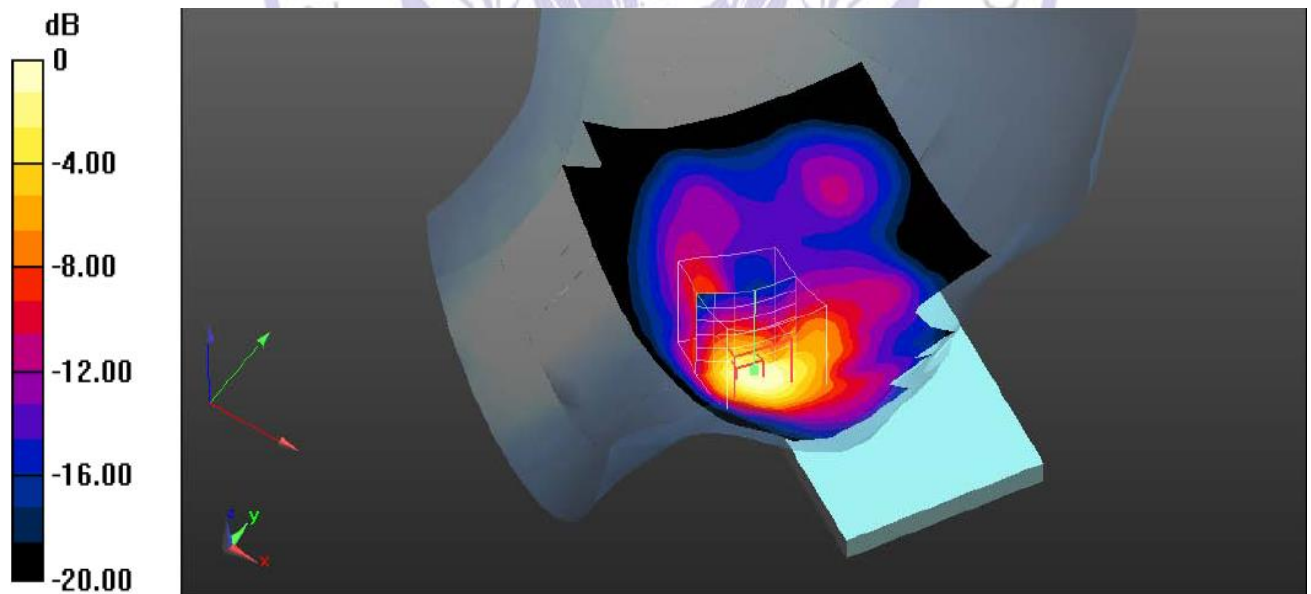
Zoom Scan (7x7x7)/Cube 0: Measurement grid: $dx=5$ mm, $dy=5$ mm, $dz=5$ mm

Reference Value = 21.80 V/m; Power Drift = -0.12 dB

Peak SAR (extrapolated) = 0.477 W/Kg

SAR(1 g) = 0.388 W/Kg; SAR(10 g) = 0.298 W/Kg

Maximum value of SAR (measured) = 0.405 W/Kg



0 dB = 0.405 W/Kg = -3.92 dB W/Kg

Plot 1: Left Head Cheek (GSM850 Middle Channel)

GSM850 GPRS 4TS Body Hotspot Middle Channel

Communication System: Customer System; Frequency: 836.6 MHz; Duty Cycle: 1:2.07

Medium parameters used (interpolated): $f = 836.6$ MHz; $\sigma = 1.00$ S/m; $\epsilon_r = 54.20$; $\rho = 1000$ kg/m³

Phantom section : Body- worn

Probe: ES3DV3 – SN3292; ConvF(6.11,6.11, 6.11); Calibrated: 08/15/2014;

Sensor-Surface: 3mm (Mechanical Surface Detection)

Electronics: DAE4 Sn1315; Calibrated: 07/22/2014;

Phantom: SAM 1; Type: SAM;

Measurement SW: DASY52, Version 52.8 (2); SEMCAD X Version 14.6.6 (6824)

Area Scan (81x91x1): Measurement grid: $dx=1.50$ mm, $dy=1.50$ mm

Maximum value of SAR (interpolated) = 0.816 W/Kg

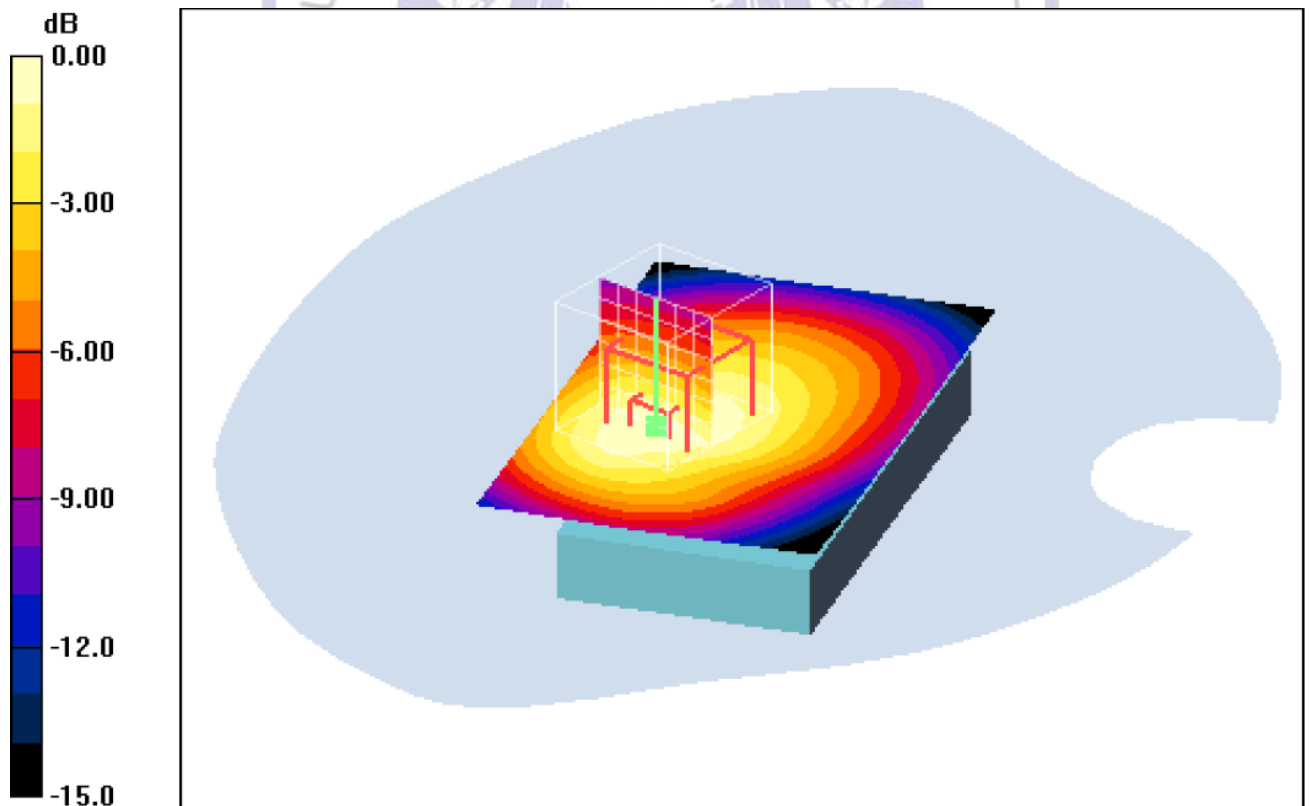
Zoom Scan (7x7x7)/Cube 0: Measurement grid: $dx=5$ mm, $dy=5$ mm, $dz=5$ mm

Reference Value = 27.50 V/m; Power Drift = -0.08 dB

Peak SAR (extrapolated) = 0.929 W/Kg

SAR(1 g) = 0.692 W/Kg; SAR(10 g) = 0.482 W/Kg

Maximum value of SAR (measured) = 0.755 W/Kg



0dB = 0.755 W/Kg = -1.22 dBW/Kg

Plot 2: Body Rear Side (GSM850 GPRS 4TS Middle Channel)

GSM1900 Left Head Cheek Middle Channel

Communication System: Customer System; Frequency: 1880.0 MHz; Duty Cycle: 1:8.3

Medium parameters used (interpolated): $f = 1880.0$ MHz; $\sigma = 1.44$ S/m; $\epsilon_r = 40.50$; $\rho = 1000$ kg/m³

Phantom section : Left Section

Probe: ES3DV3 – SN3292; ConvF(5.03,5.03, 5.03); Calibrated: 08/15/2014;

Sensor-Surface: 3mm (Mechanical Surface Detection)

Electronics: DAE4 Sn1315; Calibrated: 07/22/2014;

Phantom: SAM 1; Type: SAM;

Measurement SW: DASY52, Version 52.8 (2); SEMCAD X Version 14.6.6 (6824)

Area Scan (81x81x1): Measurement grid: $dx=1.50$ mm, $dy=1.50$ mm

Maximum value of SAR (interpolated) = 0.743 W/Kg

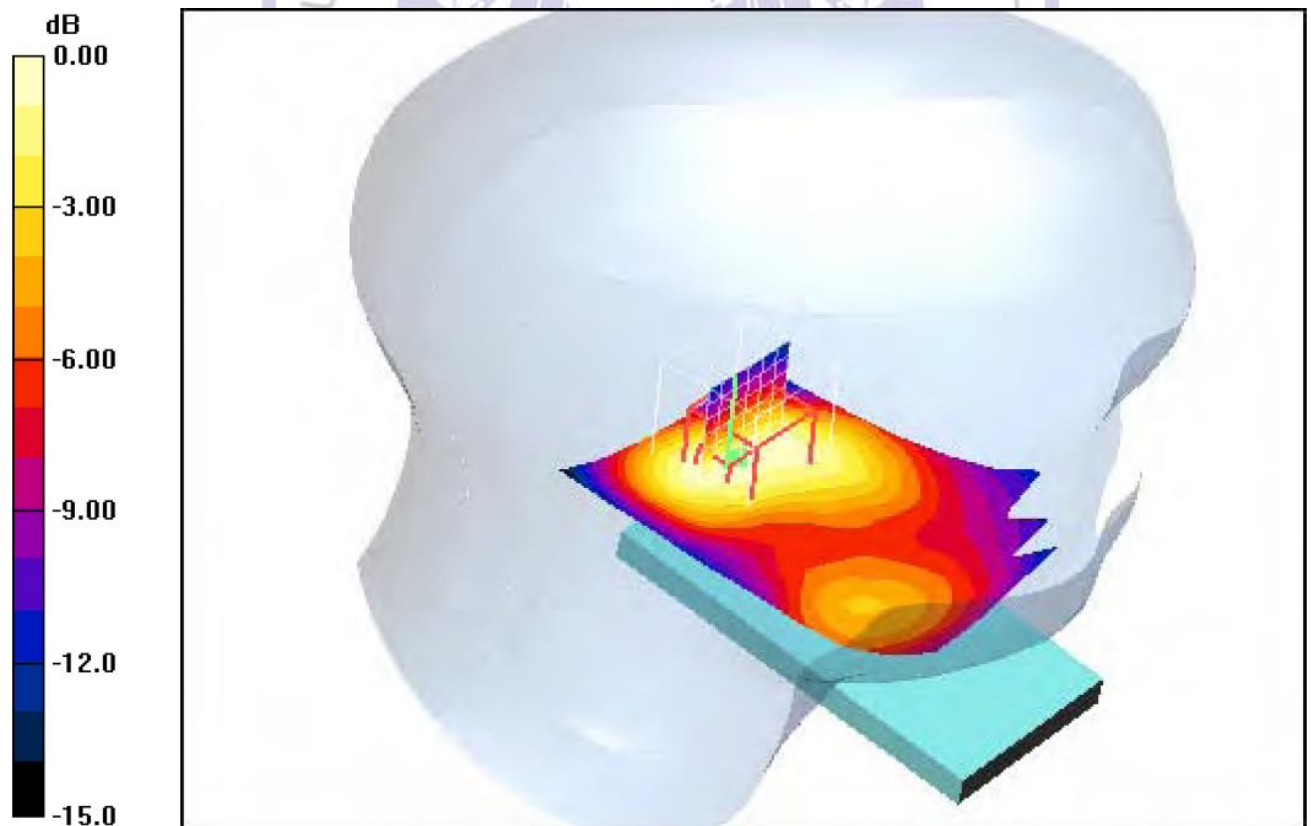
Zoom Scan (7x7x7)/Cube 0: Measurement grid: $dx=5$ mm, $dy=5$ mm, $dz=5$ mm

Reference Value = 19.6 V/m; Power Drift = -0.10 dB

Peak SAR (extrapolated) = 0.466 W/Kg

SAR(1 g) = 0.375 W/Kg; SAR(10 g) = 0.261 W/Kg

Maximum value of SAR (measured) = 0.405 W/Kg



0dB = 0.405 W/kg = -3.93 dB W/Kg

Plot 3: Left Head Cheek (GSM1900 Middle Channel)

GSM1900 GPRS 4TS Body Hotspot Middle Channel

Communication System: Customer System; Frequency: 1880.0 MHz; Duty Cycle: 1:2.07

Medium parameters used (interpolated): $f = 1880.0$ MHz; $\sigma = 1.52$ S/m; $\epsilon_r = 53.50$; $\rho = 1000$ kg/m³

Phantom section : Body- worn

Probe: ES3DV3 – SN3292; ConvF(4.66,4.66, 4.66); Calibrated: 08/15/2014;

Sensor-Surface: 3mm (Mechanical Surface Detection)

Electronics: DAE4 Sn1315; Calibrated: 07/22/2014;

Phantom: SAM 1; Type: SAM;

Measurement SW: DASY52, Version 52.8 (2); SEMCAD X Version 14.6.6 (6824)

Area Scan (81x91x1): Measurement grid: dx=1.50 mm, dy=1.50 mm

Maximum value of SAR (interpolated) = 0.805 W/Kg

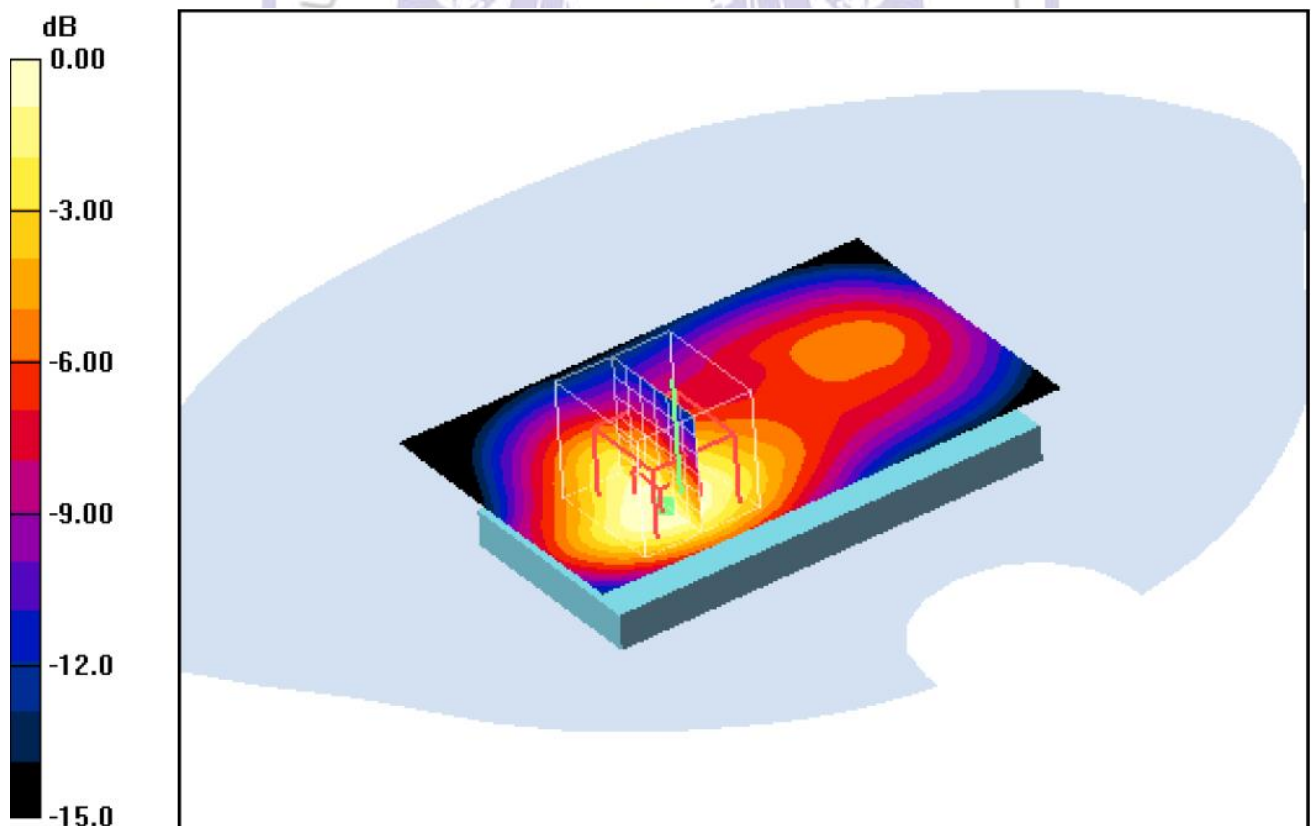
Zoom Scan (7x7x7)/Cube 0: Measurement grid: dx=5mm, dy=5mm, dz=5mm

Reference Value = 23.90 V/m; Power Drift = -0.11 dB

Peak SAR (extrapolated) = 0.966 W/Kg

SAR(1 g) = 0.622 W/Kg; SAR(10 g) = 0.381 W/Kg

Maximum value of SAR (measured) = 0.712 W/Kg



0dB = 0.712 W/Kg = -1.48 dBW/Kg

Plot 4: Body Rear Side (GSM1900 GPRS 4TS Middle Channel)

UMTS Band II Left Head Cheek Middle Channel

Communication System: Customer System; Frequency: 1880.0 MHz; Duty Cycle: 1:1

Medium parameters used (interpolated): $f = 1880.0$ MHz; $\sigma = 1.45$ S/m; $\epsilon_r = 39.97$; $\rho = 1000$ kg/m³

Phantom section : Left Section

Probe: ES3DV3 – SN3292; ConvF(5.03,5.03, 5.03); Calibrated: 08/15/2014;

Sensor-Surface: 3mm (Mechanical Surface Detection)

Electronics: DAE4 Sn1315; Calibrated: 07/22/2014;

Phantom: SAM 1; Type: SAM;

Measurement SW: DASY52, Version 52.8 (2); SEMCAD X Version 14.6.6 (6824)

Area Scan (81x81x1): Measurement grid: dx=1.50 mm, dy=1.50 mm

Maximum value of SAR (interpolated) = 0.492 W/Kg

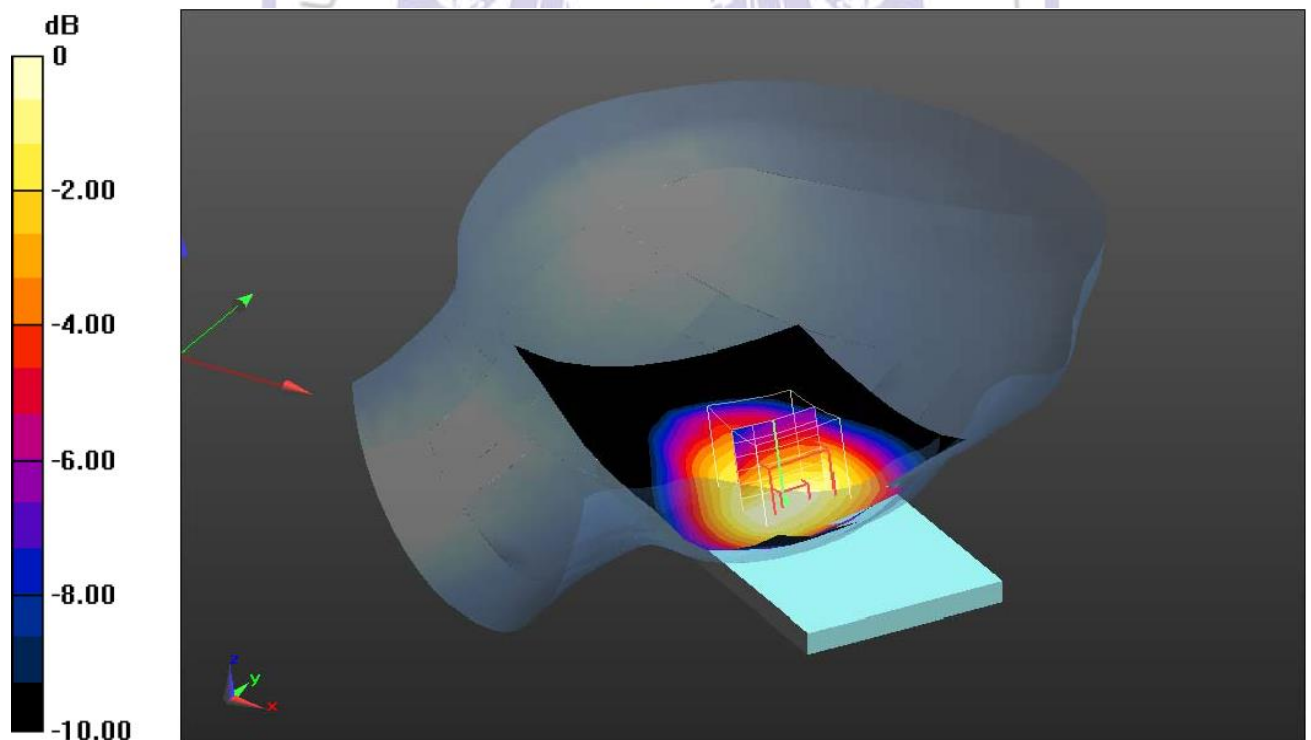
Zoom Scan (7x7x7)/Cube 0: Measurement grid: dx=5mm, dy=5mm, dz=5mm

Reference Value = 8.081 V/m; Power Drift = -0.03 dB

Peak SAR (extrapolated) = 0.411 W/Kg

SAR(1 g) = 0.386 W/Kg; SAR(10 g) = 0.254 W/Kg

Maximum value of SAR (measured) = 0.391 W/Kg



0dB = 0.391 W/kg = -4.08 dB W/Kg

Plot 5: Left Head Cheek (UMTS Band II Middle Channel)

UMTS Band II Body Hotspot Middle Channel

Communication System: Customer System; Frequency: 1880.0 MHz; Duty Cycle: 1:1

Medium parameters used (interpolated): $f = 1880.0$ MHz; $\sigma = 1.52$ S/m; $\epsilon_r = 53.50$; $\rho = 1000$ kg/m³

Phantom section : Body- worn

Probe: ES3DV3 – SN3292; ConvF(4.66,4.66, 4.66); Calibrated: 08/15/2014;

Sensor-Surface: 3mm (Mechanical Surface Detection)

Electronics: DAE4 Sn1315; Calibrated: 07/22/2014;

Phantom: SAM 1; Type: SAM;

Measurement SW: DASY52, Version 52.8 (2); SEMCAD X Version 14.6.6 (6824)

Area Scan (81x91x1): Measurement grid: dx=1.50 mm, dy=1.50 mm

Maximum value of SAR (interpolated) = 1.02 W/Kg

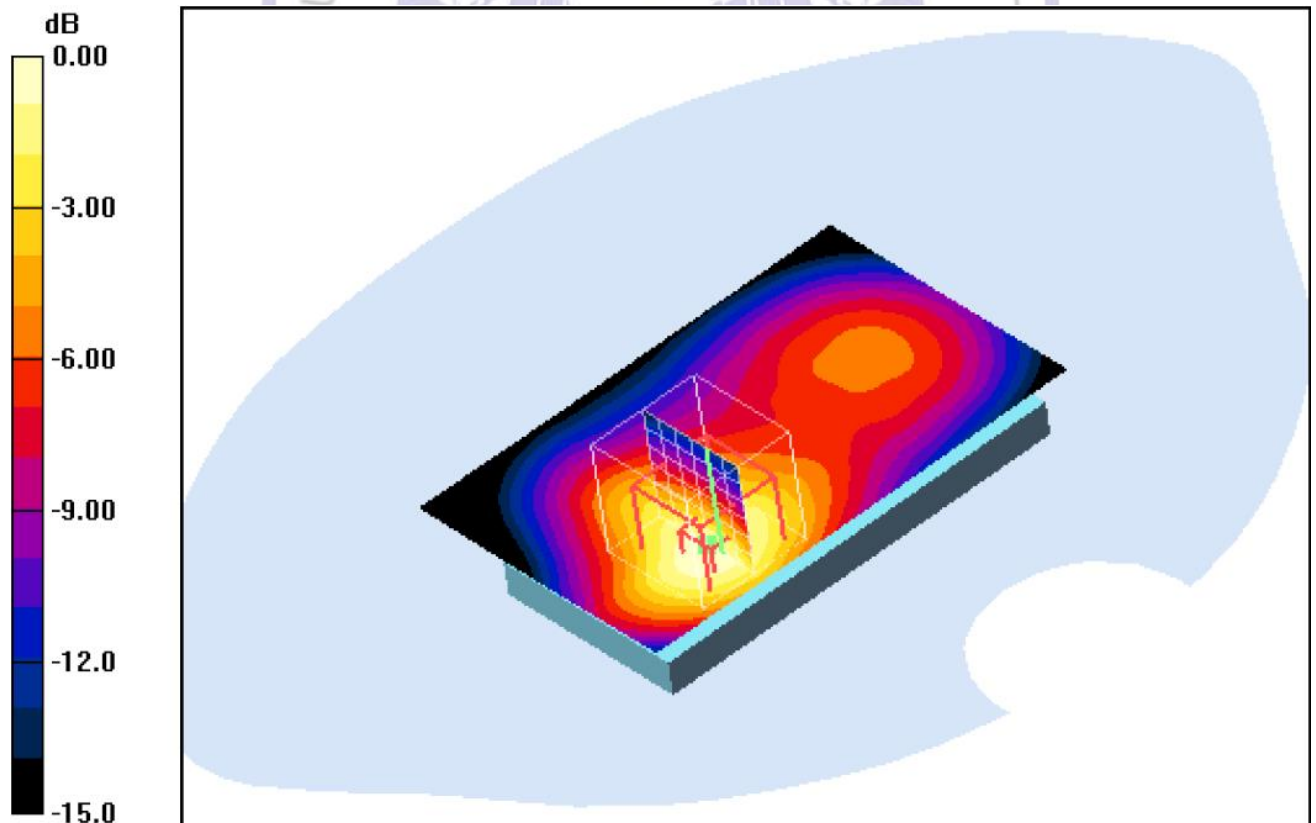
Zoom Scan (7x7x7)/Cube 0: Measurement grid: dx=5mm, dy=5mm, dz=5mm

Reference Value = 28.23 V/m; Power Drift = 0.00 dB

Peak SAR (extrapolated) = 1.39 W/Kg

SAR(1 g) = 0.897 W/Kg; SAR(10 g) = 0.520 W/Kg

Maximum value of SAR (measured) = 1.01 W/Kg



0dB = 1.01 W/Kg = 0.04 dBW/Kg

Plot 6: Body Bottom Side (UMTS Band II Middle Channel)

UMTS Band V Left Head Cheek Middle Channel

Communication System: Customer System; Frequency: 836.6 MHz; Duty Cycle: 1:1

Medium parameters used (interpolated): $f = 836.6$ MHz; $\sigma = 0.93$ S/m; $\epsilon_r = 41.70$; $\rho = 1000$ kg/m³

Phantom section : Right Section

Probe: ES3DV3 – SN3292; ConvF(6.23,6.23, 6.23); Calibrated: 08/15/2014;

Sensor-Surface: 3mm (Mechanical Surface Detection)

Electronics: DAE4 Sn1315; Calibrated: 07/22/2014;

Measurement SW: DASY52, Version 52.8 (2); SEMCAD X Version 14.6.6 (6824)

Area Scan (81x81x1): Measurement grid: dx=1.50 mm, dy=1.50 mm

Maximum value of SAR (interpolated) = 0.434 W/Kg

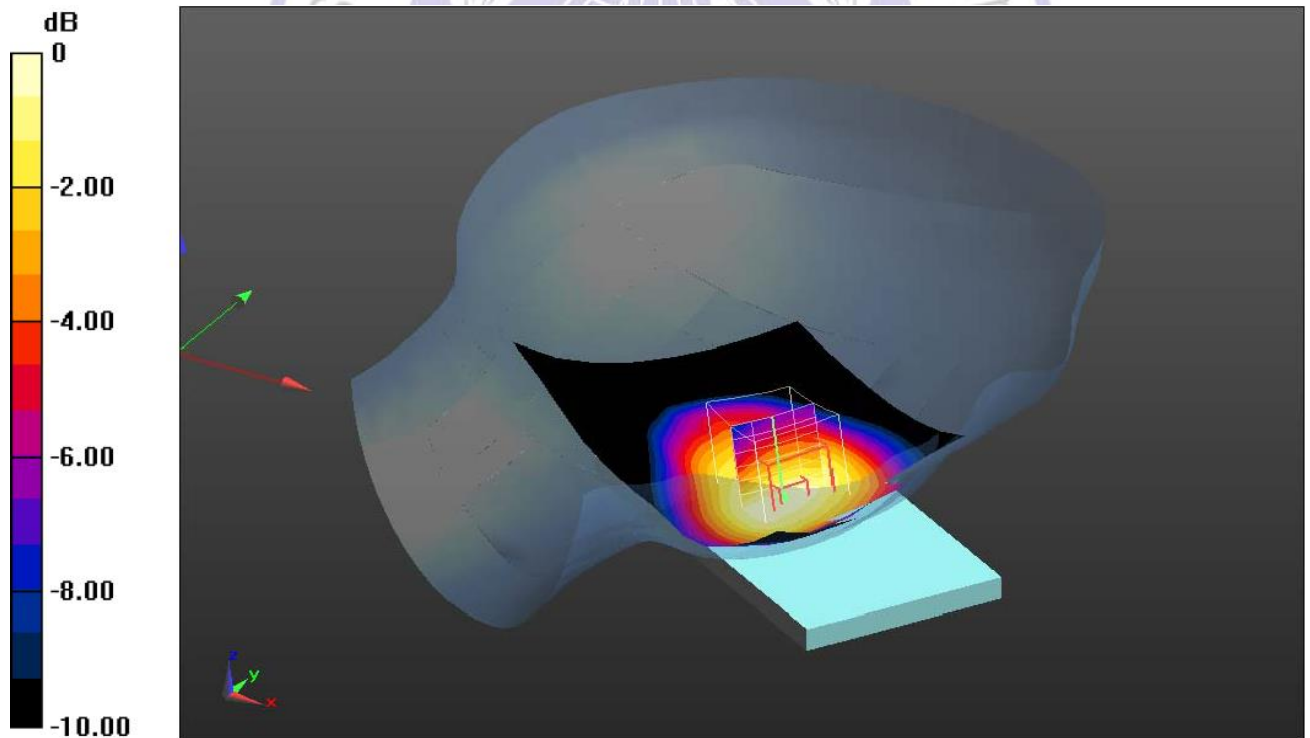
Zoom Scan (7x7x7)/Cube 0: Measurement grid: dx=5mm, dy=5mm, dz=5mm

Reference Value = 22.36 V/m; Power Drift = -0.06 dB

Peak SAR (extrapolated) = 0.525 W/Kg

SAR(1 g) = 0.428 W/Kg; SAR(10 g) = 0.322 W/Kg

Maximum value of SAR (measured) = 0.457 W/Kg



0 dB = 0.457 W/Kg = -3.40 dB W/Kg

Plot 7: Left Head Cheek (UMTS Band V Middle Channel)

UMTS Band V Body Hotspot Middle Channel

Communication System: Customer System; Frequency: 836.6 MHz; Duty Cycle: 1:2.07

Medium parameters used (interpolated): $f = 836.6$ MHz; $\sigma = 1.00$ S/m; $\epsilon_r = 54.20$; $\rho = 1000$ kg/m³

Phantom section : Body- worn

Probe: ES3DV3 – SN3292; ConvF(6.11,6.11, 6.11); Calibrated: 08/15/2014;

Sensor-Surface: 3mm (Mechanical Surface Detection)

Electronics: DAE4 Sn1315; Calibrated: 07/22/2014;

Phantom: SAM 1; Type: SAM;

Measurement SW: DASY52, Version 52.8 (2); SEMCAD X Version 14.6.6 (6824)

Area Scan (81x91x1): Measurement grid: $dx=1.50$ mm, $dy=1.50$ mm

Maximum value of SAR (interpolated) = 0.866 W/Kg

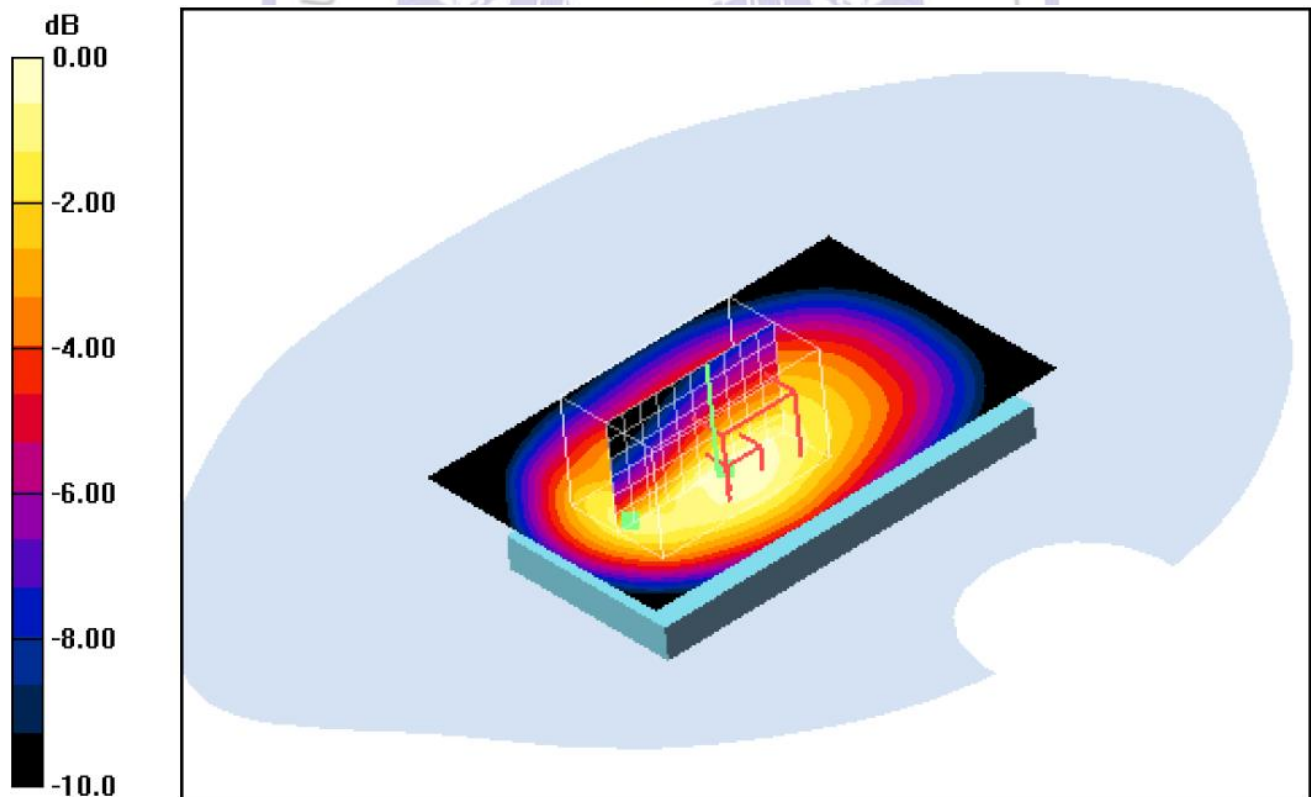
Zoom Scan (7x7x7)/Cube 0: Measurement grid: $dx=5$ mm, $dy=5$ mm, $dz=5$ mm

Reference Value = 32.30 V/m; Power Drift = -0.03 dB

Peak SAR (extrapolated) = 1.20 W/Kg

SAR(1 g) = 0.850 W/Kg; SAR(10 g) = 0.599 W/Kg

Maximum value of SAR (measured) = 0.900 W/Kg



0dB = 0.900 W/Kg = -0.46 dBW/Kg

Plot 8: Body Bottom Side (UMTS Band V Middle Channel)

WiFi2450 Right Head Cheek Middle Channel (WiFi2450 Middle Channel-Channel 6-2437MHz (1Mbps))

Communication System: Customer System; Frequency: 2437.0 MHz; Duty Cycle: 1:1

Medium parameters used (interpolated): $f = 2437.0$ MHz; $\sigma = 1.75$ S/m; $\epsilon_r = 40.10$; $\rho = 1000$ kg/m³

Phantom section : Left Section

Probe: ES3DV3 – SN3292; ConvF(4.43,4.43, 4.43); Calibrated: 08/15/2014;

Sensor-Surface: 3mm (Mechanical Surface Detection)

Electronics: DAE4 Sn1315; Calibrated: 07/22/2014;

Phantom: SAM 1; Type: SAM;

Measurement SW: DASY52, Version 52.8 (2); SEMCAD X Version 14.6.6 (6824)

Area Scan (81x81x1): Measurement grid: dx=1.50 mm, dy=1.50 mm

Maximum value of SAR (interpolated) = 0.606 W/Kg

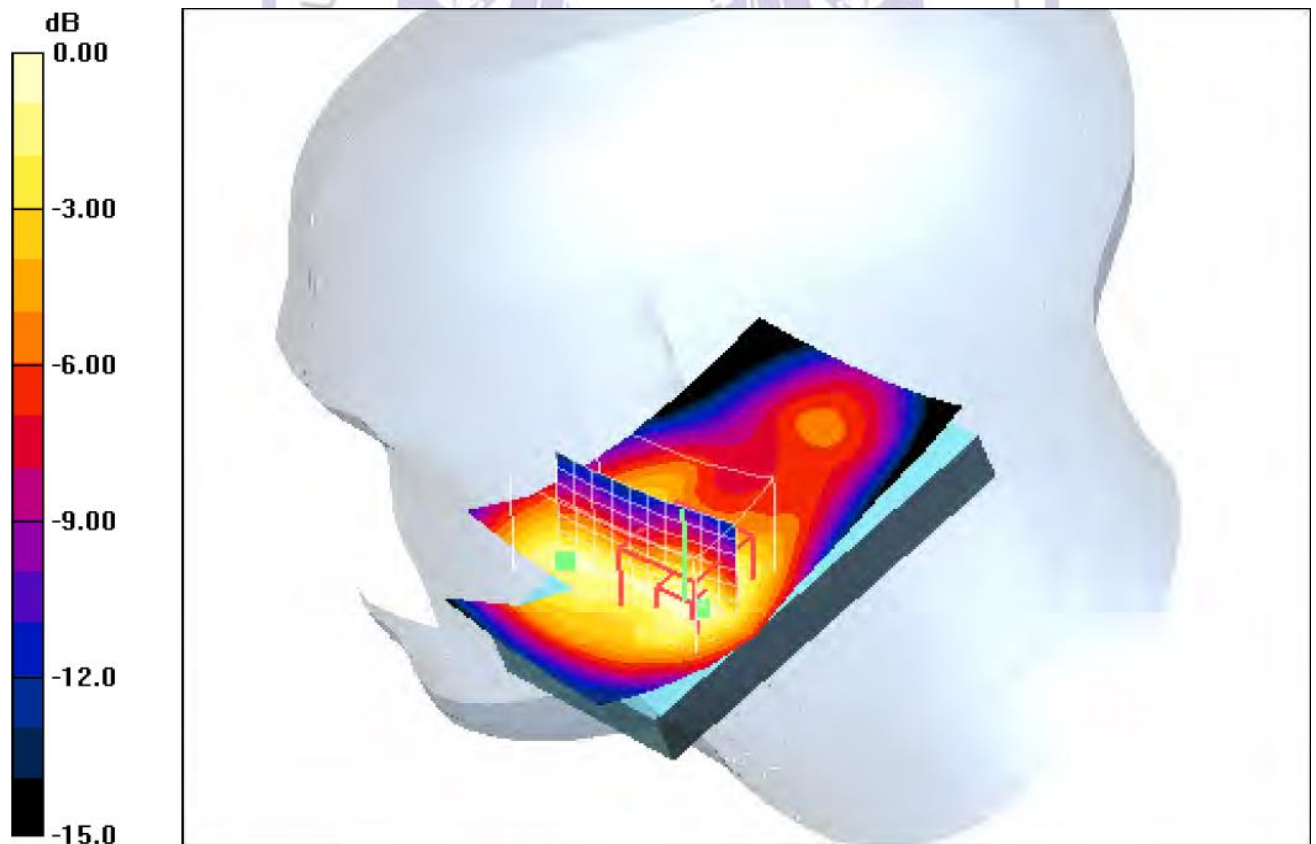
Zoom Scan (7x7x7)/Cube 0: Measurement grid: dx=5mm, dy=5mm, dz=5mm

Reference Value = 18.280 V/m; Power Drift = -0.07 dB

Peak SAR (extrapolated) = 1.50 W/Kg

SAR(1 g) = 0.560 W/Kg; SAR(10 g) = 0.236 W/Kg

Maximum value of SAR (measured) = 0.684 W/Kg



0 dB = 0.684 W/Kg = -1.65 dB W/Kg

Plot 9: Right Head Cheek (WiFi2450 Middle Channel-Channel 6-2437MHz (1Mbps))

WiFi2450 Body Hotspot Middle Channel (WiFi2450 Middle Channel-Channel 6-2437MHz (1Mbps))

Communication System: Customer System; Frequency: 2437.0 MHz; Duty Cycle: 1:1

Medium parameters used (interpolated): $f = 2437.0$ MHz; $\sigma = 1.98$ S/m; $\epsilon_r = 52.90$; $\rho = 1000$ kg/m³

Phantom section : Body- worn

Probe: ES3DV3 – SN3292; ConvF(4.23,4.23, 4.23); Calibrated: 08/15/2014;

Sensor-Surface: 3mm (Mechanical Surface Detection)

Electronics: DAE4 Sn1315; Calibrated: 07/22/2014;

Phantom: SAM 1; Type: SAM;

Measurement SW: DASY52, Version 52.8 (2); SEMCAD X Version 14.6.6 (6824)

Area Scan (81x91x1): Measurement grid: dx=1.50 mm, dy=1.50 mm

Maximum value of SAR (interpolated) = 0.344 W/Kg

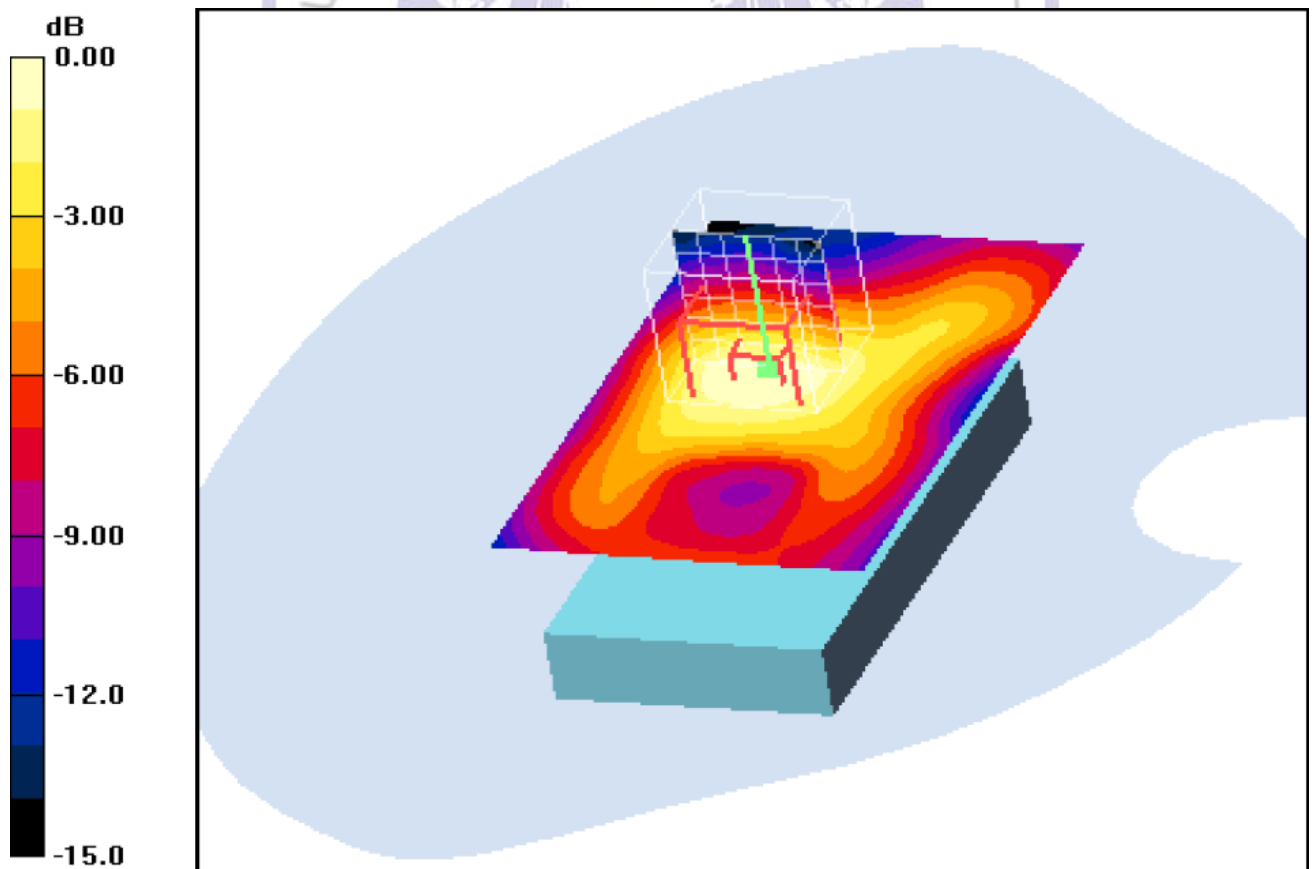
Zoom Scan (7x7x7)/Cube 0: Measurement grid: dx=5mm, dy=5mm, dz=5mm

Reference Value = 13.61 V/m; Power Drift = 0.10 dB

Peak SAR (extrapolated) = 0.475 W/Kg

SAR(1 g) = 0.305 W/Kg; SAR(10 g) = 0.172 W/Kg

Maximum value of SAR (measured) = 0.336 W/Kg



0 dB = 0.336 W/Kg = -4.74 dB W/Kg

Plot 10: Body Rear Side (WiFi2450 Middle Channel-Channel 6-2437MHz (1Mbps))