

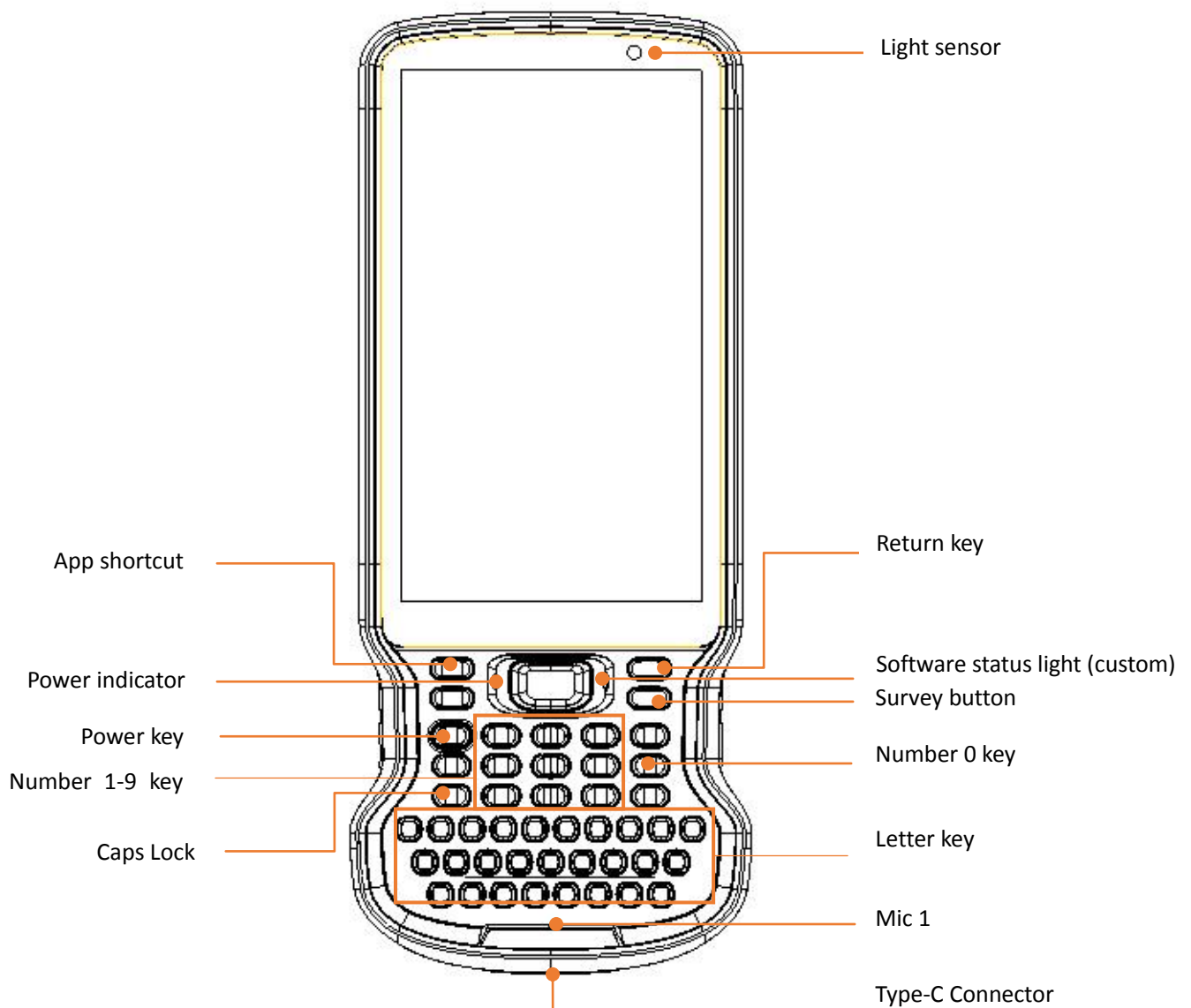
# Data Collector

Thank you for choosing the R60 Data Collector.

This Quick Guide will provide useful information about R60. It will also guide you through your first step of using R60 Data Collector.

The R60 is designed to withstand the rough environment that typically occurs in the field. However, the R60 is high-precision electronic equipment and should be treated with reasonable care.

The function, specification and appearance of the product described in this quick manual may be changed due to the update of the software and hardware of the product without notice. Please take the real object as the standard.



### Power key

Long press power key for 3 seconds to power on/off.

Long press power key for 10 seconds to reset.

### Caps Lock

1 ) when using the letter key, it is used to switch the case of letters

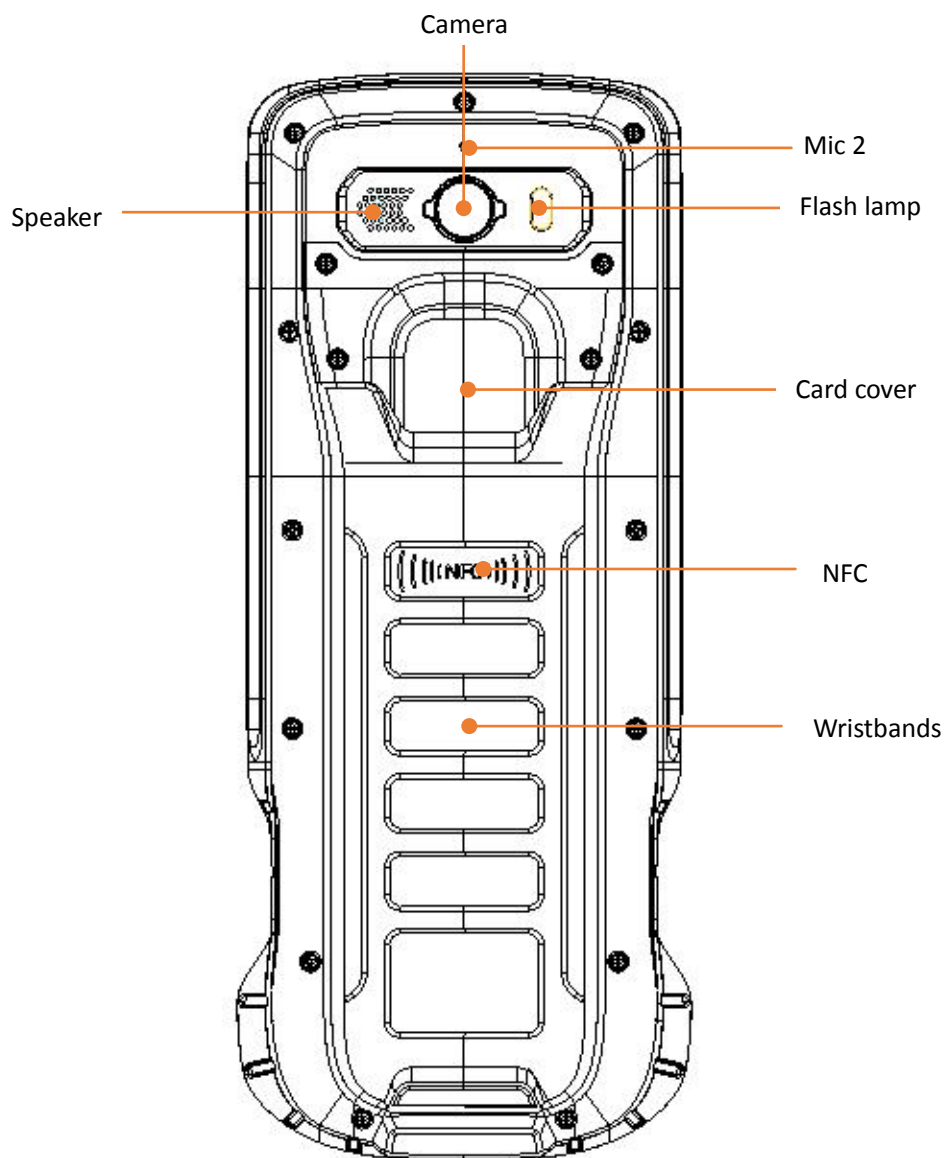
2 ) When using the number key, it is used to switch numbers/special characters

### App shortcut

Quick launch software

### Survey button

- 1 ) Enter button
- 2 ) Measure a point in the software



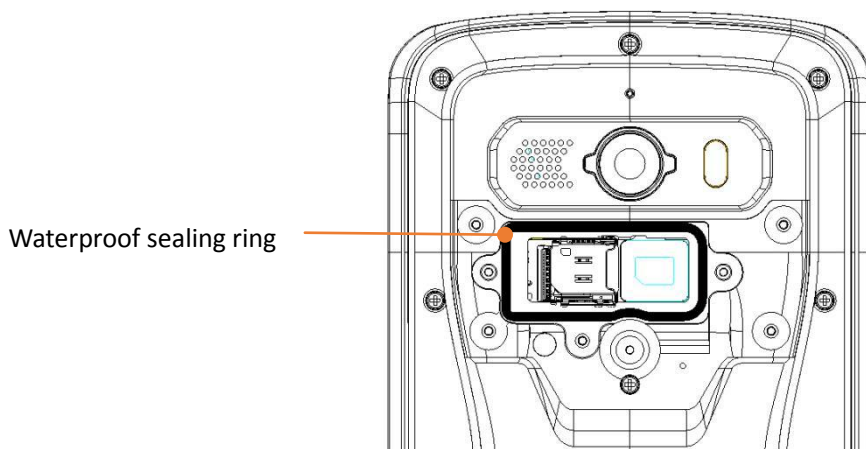
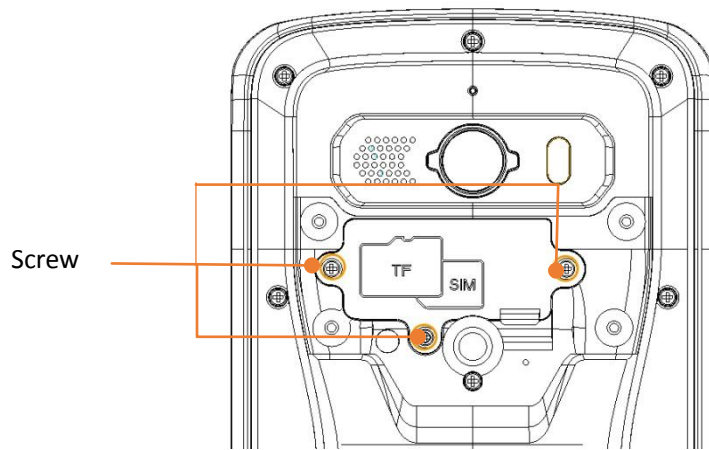
### Install SIM/UIM card and TF card

This machine uses Nano SIM/UIM card.

First unscrew the screws on the card cover.

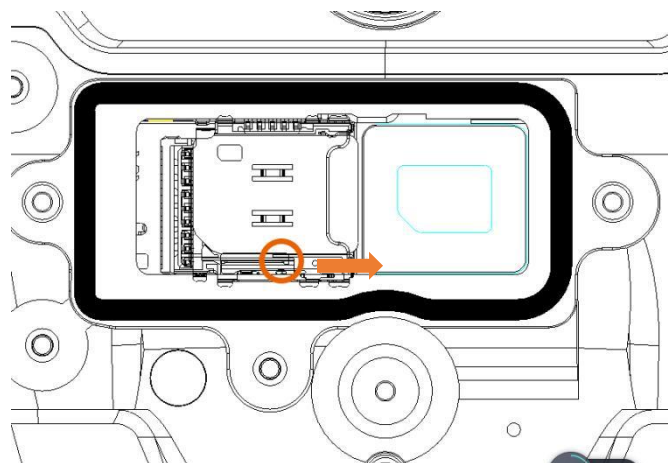
Insert SIM/UIM card in the lower card slot and TF Card in the upper card slot.

**WARNING** : please be careful not to damage the waterproof sealing ring shown in the figure, otherwise the waterproof performance of the equipment will be affected.



### Remove SIM / UIM card and TF card

- 1 ) First take out the TF card on the upper layer
- 2 ) Move the paddle as shown in the figure below to take out the SIM card



## **FCC Statement**

This equipment has been tested and found to comply with the limits for a Class B digital device, pursuant to part 15 of the FCC Rules. These limits are designed to provide reasonable protection against harmful interference in a residential installation. This equipment generates, uses and can radiate radio frequency energy and, if not installed and used in accordance with the instructions, may cause harmful interference to radio communications. However, there is no guarantee that interference will not occur in a particular installation. If this equipment does cause harmful interference to radio or television reception, which can be determined by turning the equipment off and on, the user is encouraged to try to correct the interference by one or more of the following measures:

- Reorient or relocate the receiving antenna.
- Increase the separation between the equipment and receiver.
- Connect the equipment into an outlet on a circuit different from that to which the receiver is connected.
- Consult the dealer or an experienced radio/TV technician for help.

Caution: Any changes or modifications to this device not explicitly approved by manufacturer could void your authority to operate this equipment.

This device complies with part 15 of the FCC Rules. Operation is subject to the following two conditions: (1) This device may not cause harmful interference, and (2) this device must accept any interference received, including interference that may cause undesired operation.

## **Specific Absorption Rate (SAR) information:**

This Data Collector meets the government's requirements for exposure to radio waves. The guidelines are based on standards that were developed by independent scientific organizations through periodic and thorough evaluation of scientific studies. The standards include a substantial safety margin designed to assure the safety of all persons regardless of age or health. FCC RF Exposure Information and Statement the SAR limit of USA (FCC) is 1.6 W/kg averaged over one gram of tissue. Device types: Data Collector has also been tested against this SAR limit. This device was tested for typical body-worn operations with the back of the phone kept 0mm from the body. To maintain compliance with FCC RF exposure requirements, use accessories that maintain an 0mm separation distance between the user's body and the back of the phone. The use of belt clips, holsters and similar accessories should not contain metallic components in its assembly. The use of accessories that do not satisfy these requirements may not comply with FCC RF exposure requirements, and should be avoided.