

TITAN 10

GT1000 2D

User Manual

使用手冊



Version 1.0

Copyright Notice

Copyright © 2015 Amobile Intelligent Corp. All Rights Reserved.

This document contains proprietary information protected by copyright. All rights are reserved. No part of this manual may be reproduced by any mechanical, electronic, or other means in any form without prior written permission of the manufacturer.

Disclaimer

The information in this document is subject to change without prior notice in order to improve the reliability, design and function. It does not represent a commitment on the part of the manufacturer.

Under no circumstances will the manufacturer be liable for any direct, indirect, special, incidental, or consequential damages arising from the use or inability to use the product or documentation, even if advised of the possibility of such damages.

Federal Communications Commission (FCC) Statement

15.21

You are cautioned that changes or modifications not expressly approved by the part responsible for compliance could void the user's authority to operate the equipment.

15.105(b)

This equipment has been tested and found to comply with the limits for a Class B digital device, pursuant to part 15 of the FCC rules. These limits are designed to provide reasonable protection against harmful interference in a residential installation. This equipment generates, uses and can radiate radio frequency energy and, if not installed and used in accordance with the instructions, may cause harmful interference to radio communications. However, there is no guarantee that interference will not occur in a particular installation. If this equipment does cause harmful interference to radio or television reception, which can be determined by turning the equipment off and on, the user is encouraged to try to correct the interference by one or more of the following measures:

- Reorient or relocate the receiving antenna.
- Increase the separation between the equipment and receiver.
- Connect the equipment into an outlet on a circuit different from that to which the receiver is connected.
- Consult the dealer or an experienced radio/TV technician for help.

This device complies with Part 15 of the FCC Rules. Operation is subject to the following two conditions:

- 1) this device may not cause harmful interference and
- 2) this device must accept any interference received, including interference that may cause undesired operation of the device.

FCC RF Radiation Exposure Statement:

Use of other accessories may not ensure compliance with FCC RF exposure guidelines.

NCC警語：

根據NCC低功率電波輻射性電機管理辦法 規定：第十二條 經型式認證合格之低功率射頻電機，非經許可，公司、商號或使用者均不得擅自變更頻率、加大功率或變更原設計之特性及功能。

第十四條 低功率射頻電機之使用不得影響飛航安全及干擾合法通信；經發現有干擾現象時，應立即停用，並改善至無干擾時方得繼續使用。前項合法通信，指依電信法規定作業之無線電通信。低功率射頻電機須忍受合法通信或工業、科學及醫療用電波輻射性電機設備之干擾。

「減少電磁波影響，請妥適使用」。

「SAR標準值2.0W/Kg；SAR實測值為：1.470W/Kg」。

「EMC品質符合CNS13438限制值，充電線組限用原廠含鐵粉芯、1米長之隔離線_USB Cable」。

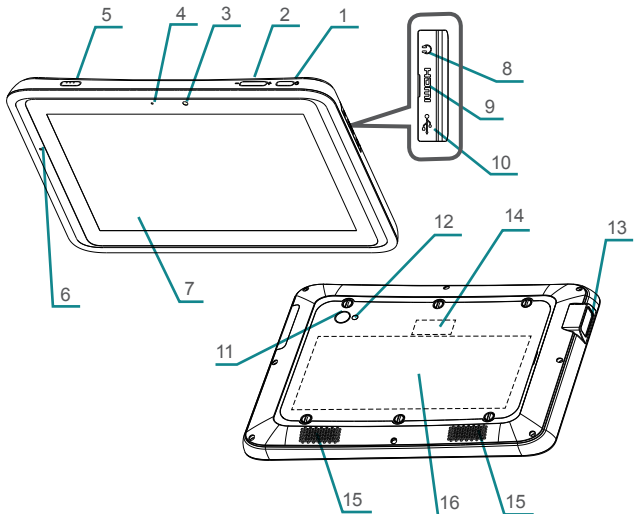
警告使用者：


- 1、使用過度恐傷害視力。
- 2、使用30分鐘請休息10分鐘。
- 3、2歲以下幼兒不看螢幕，2歲以上每天看螢幕不要超過1小時。

詳細功能說明書請參閱磐旭智能網站 amobile-solutions.com

Open Your Box

- ▶ 10.1" Rugged Android™ Handheld Device with Octa-core Processor
- ▶ Rechargeable Li-ion battery pack (Pre-installed)
- ▶ Universal power adapter
- ▶ Earphone
- ▶ User Manual

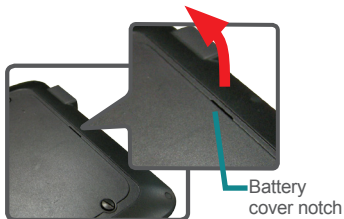


- 1 Power key 
* Press-and-hold to power on/off the device.
* Press to turn on/off the display.
- 2 Volume rocker
- 3 Front camera
- 4 Light sensor
- 5 Barcode scanner trigger button
- 6 Microphone
- 7 Touch screen
- 8 Headset jack with rubber cover
- 9 HDMI jack with rubber cover
- 10 USB connector with rubber cover
- 11 Rear camera
- 12 Camera flash
- 13 Barcode scanner
- 14 Dual-SIM & microSD card slot (inside)
- 15 Speaker
- 16 Battery chamber (inside)

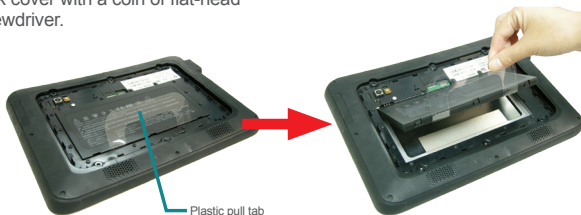
Install SIM & microSD Cards



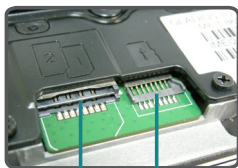
Step 1:
Place the device on a flat surface, with the rear side facing up. Loosen the six retaining screws on the back cover with a coin or flat-head screwdriver.



Step 2:
Insert a small flat-head screwdriver into the notch on the side of the cover and gently pry up the cover.



Step 3:
Use the clear plastic pull tab on the battery to lift the battery out of the battery chamber.



microSD card slot
Dual SIM card slots

Step 4: Locate the double-stacked SIM card slots and the microSD card slot. The above graphics illustrate the correct card orientation.

To install the SIM card(s) or the microSD card, orient the card as indicated, and fully insert the card into the slot until it locks into place.

Step 5: Restore the battery and then use a coin or flat-head screwdriver to secure the back cover with the six screws.

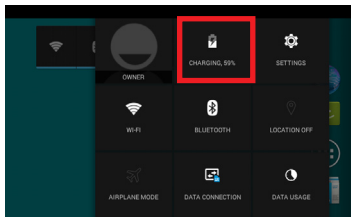
Charging the Battery



Step 1: Connect the USB end of the power adapter to the USB port on the device..

Step 2: Connect the power adapter to a power outlet.

When the charging is in process, a battery indicator will appear in the status bar showing the charging status. To view the charge percentage, swipe down the **Status Bar** and you will see the charging percentage.



Step 3: When the battery is fully charged, unplug the USB cable from the device

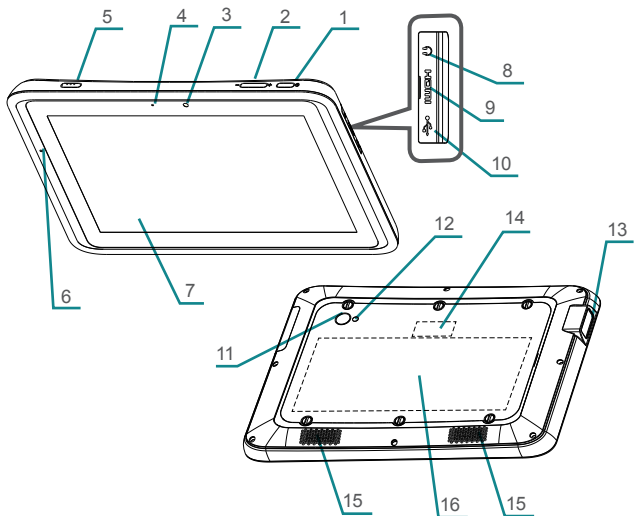


Warning: Use only the power adapter that comes with your device. Using a different power adapter may damage your device and may result in poor performance. It may also invalidate warranty applying to the device.

TITAN 10概覽

包裝內容:

- ▶ TITAN 10 強固式物連網裝置
- ▶ 抽換式鋰電池 (已安裝)
- ▶ 充電器
- ▶ 耳機
- ▶ 使用手冊

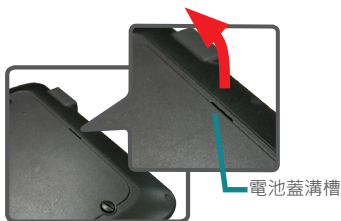


- | | |
|---|------------------------------|
| 1 電源鈕  | 9 HDMI插孔 (保護蓋內) |
| * 長按關閉/開啟裝置 | 10 USB插孔 (保護蓋內) |
| * 按一下關閉/開啟螢幕 | 11 後置相機 |
| 2 音量鍵 | 12 LED 閃光燈 |
| 3 前置相機 | 13 條碼掃描器 |
| 4 光度感測器 | 14 雙SIM卡 & microSD卡插槽 (保護蓋內) |
| 5 條碼掃描鍵 | 15 喇叭 |
| 6 麥克風 | 16 電池 (背蓋內) |
| 7 觸控螢幕 | |
| 8 耳機插孔(含保護蓋) | |

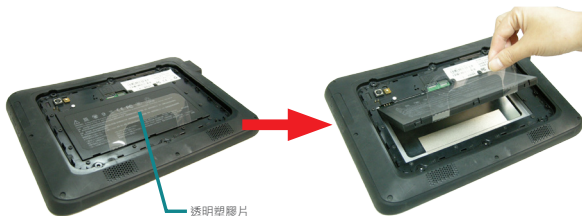
安裝 SIM & microSD 卡



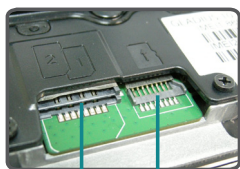
步驟 1:
將產品置於平坦桌面上，背面朝上，利用硬幣或一字螺絲起子將背蓋上的六顆螺絲鬆開。



步驟 2:
利用一字螺絲起子插入背蓋側邊的溝槽，將背蓋微微翹開，然後取下背蓋。



步驟 3:
利用電池的透明塑膠片將電池取出。



microSD 卡插槽
雙SIM卡插槽

步驟 4: 找到雙SIM卡插槽及microSD卡插槽，依照圖示所指示方向將SIM卡/microSD卡插入插槽，插卡時請確定將卡插到底。

步驟 5: 將電池安裝回原位，蓋上背蓋，然後利用硬幣或一字螺絲起子將背蓋上的六顆螺絲鎖緊。

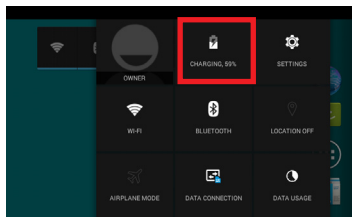
為裝置充電



步驟 1: 將充電器的USB端插入裝置的USB插孔。

步驟 2: 將充電器插入電源插座。

充電進行時，您可以向下滑動狀態列，即可查看充電圖示所顯示的目前充電進度。



步驟 3: 裝置完成充電後，請將USB線拔除裝置。



警告: 請使用裝置隨附的充電器為裝置進行充電，使用其它充電器可能造成機器毀損，或是影響機器效能，也會造成產品保固無效。

產品規格

產品額定電壓 / Rating Voltage: D.C. 5V

產品額定電流 / Rating Current: 2.0A

操作溫度範圍 / Operate temp.: -10~50°C

請注意以下要求!!

- 1.請更換相同型號之電池以免產生爆炸的風險
- 2.使用過之廢電池請依當地政府單位要求處理
- 3.不得拆解、開啟、短路或撕裂二次單電池或電池組
- 4.不得使單電池或電池組曝露於熱或火源。避免存放在陽光直射處。
- 5.當單電池發生洩漏時，不得使液態電解質接觸皮膚或眼睛。
若不慎接觸時請以大量清水沖洗換部並尋求醫療協助。
- 6.不得使用任何非設計搭配設備使用支單電池或電池組。
- 7.二次單電池與電池組需於使用前充電。務必使用正確之充電器並依設備之使用手冊，以正確之程序進行充電。

This equipment has been tested and found to comply with the limits for a Class B digital device, pursuant to Part 15 of the FCC Rules. These limits are designed to provide reasonable protection against harmful interference in a residential installation. This equipment generates, uses and can radiate radio frequency energy and, if not installed and used in accordance with the instructions, may cause harmful interference to radio communications. However, there is no guarantee that interference will not occur in a particular installation. If this equipment does cause harmful interference to radio or television reception, which can be determined by turning the equipment off and on, the user is encouraged to try to correct the interference by one of the following measures:

- Reorient or relocate the receiving antenna.
- Increase the separation between the equipment and receiver.
- Connect the equipment into an outlet on a circuit different from that to which the receiver is connected.
- Consult the dealer or an experienced radio/TV technician for help.

FCC Caution: Any changes or modifications not expressly approved by the party responsible for compliance could void the user's authority to operate this equipment.

This device complies with Part 15 of the FCC Rules. Operation is subject to the following two conditions: (1) This device may not cause harmful interference, and (2) this device must accept any interference received, including interference that may cause undesired operation.

IMPORTANT NOTE:

Federal Communication Commission (FCC) Radiation Exposure Statement

This EUT is in compliance with SAR for general population/uncontrolled exposure limits in ANSI/IEEE C95.1-1999 and had been tested in accordance with the measurement methods and procedures specified in OET Bulletin 65 Supplement C.

This page is intentionally left blank.