

**Braun**  
Therms

**IRT3575US**

Artwork Part #: **A009069R1**  
Dieline Part #: **NA**

Subject: **Rating Label Screen Art**  
Region: **US**

Flat Size: NA

Scale **1/1**  
Material: **Laser Etch**  
# of Pages: **NA**

Revision: **1**  
Date: **23MAY24**  
Release Date: **03JUN24**  
Re-Release Date:

**Colors**

**Spot Colors**

PMS  
429C



Dielines do not print

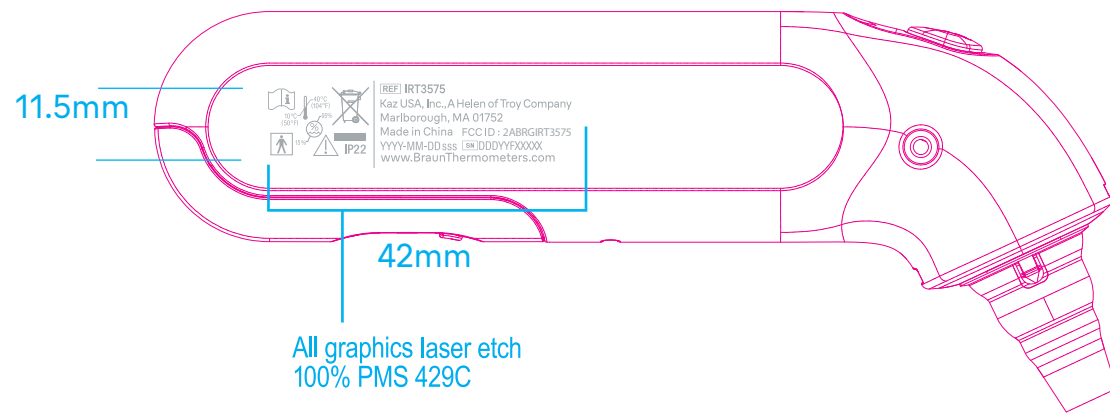
Coating:

Bindery: **NA**

Special Instructions:

Quality Requirement of Artwork  
**Clarification Process of Artwork Printing:**  
Meet Eng-QS-06&02

**Helen of Troy Creative Services**  
Marlborough, MA 01752 USA  
Questions? Contact your representative



**IRT3575US ON PRODUCT ARTWORK  
RATING LABEL**