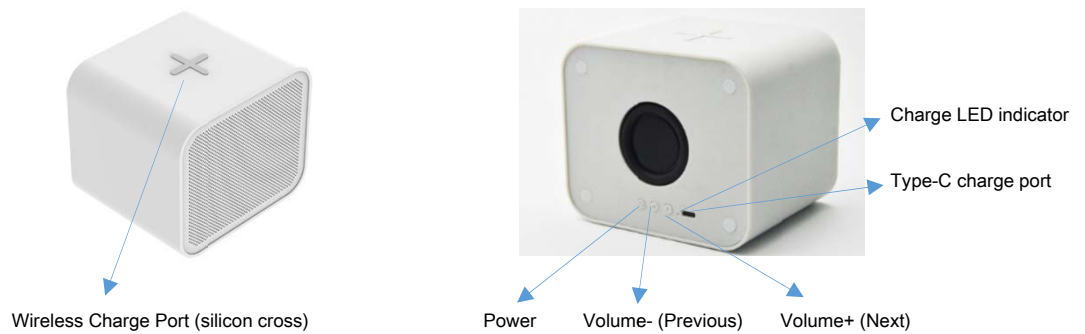


## SC-830 Speaker with Fast Wireless Charge Quick Start Guide



### In the box

1 x SC-830 speaker, 1 x Quick Start Guide

1 x TYPE-C charging cable

### Safety Precautions

- Read all the instructions carefully before using.
- Check that the voltage marked on the rating label matches your mains voltage.
- The speaker should not be taken apart or modified.

---

### **Charge the speaker before use.**

1. Connect speaker with PC/Laptop/Mac, 5V USB adapter or QC 2.0 or QC3.0 power adapter by the TYPE-C cable included. (power adapter NOT included)
2. Red LED turns ON during charging, turns OFF after fully charged.
3. Unplug USB cable after fully charged.
4. Red LED twinkles when low power (<21%), with awarning sound.

### **Bluetooth pairing**

1. Turn on the speaker to be ready for pairing. After 1-2seconds you would hear a chimed Bluetooth sound.
2. Activate the Bluetooth function on your mobile phone or any Bluetooth devices, search the speaker and select the name "SC-830", and connect the speaker with the device via Bluetooth pairing
3. The Bluetooth sound is chimed once more after paired, with LED

#### **Notes:**

1. Keep the range of 1 meter when pairing. If the pairing was not successful, turn off the speaker and re-pair again.
2. Paired devices will remember each other so there is no need to pair again unless pairing information is deleted.
3. To pair with a new device, follow steps 1-3 above after disconnected from existing device.

---

### **TWS (True Wireless Stereo): to pair one phone with 2 speakers together**




1. Make sure you have 2 SC-830 speakers at your hand, turn on both speakers together, then quickly double click "Power" buttons of both speakers, both speakers will into pairing mode to pair with each other first.
2. Wait for around 5-10 seconds until two speakers "beep" once in sequence, which means both speakers paired with each other already. Host speaker will show flash Blue light whereas sub-speaker will show solid Blue light.
3. Then, activate Bluetooth function of your device and pair with Bluetooth name "SC-830". You would enjoy music in True Wireless

### **Compatibility**

Bluetooth is compatible with Bluetooth enabled devices.

Wireless Charge function is compatible with Qi enabled smart-phones and devices.

### **Power button(power/play/pause)function**

1. Hold the button  for approx. 2 seconds to turn on or turn off the device, you would hear a starting chime.
2. When speakers in TWS (True Wireless Stereo) mode, hold the button  on either of the speakers to switch them off.
3. Short click the button , it would play or pause the music
4. Double click power button to disconnect current Bluetooth pairing.

### **Left arrow <**

Short press to decrease volume.

Long press to go back to previous song.

### **Right arrow >**

Short press to increase volume.

Long press to go to next song.

---

#### **Notes:**

1. TWS is workable only when you have 2 SC-830 speakers.
2. If you want to disconnect existing TWS connection, double click "Power" button of either speaker, the sub-speaker will disconnect, the host speaker will keep playing music.
3. If you want to establish TWS connection with 2<sup>nd</sup> speaker after your device connected with one speaker already, please long press "Power" button to disconnect from your existing paired device, then follow above steps 1-3.

## How to use Wireless Charge function

1. **Connect to 5V Power Adapter** (for e.g your phone's original power adapter)

**Wireless Charge works only when connect speaker to 5V Power Adapter.**

**DO NOT connect to 9V or 12V power adapter!**

We recommend to use a 5V QC2.0 or QC3.0 power adapter to achieve best stability and fast charging performance. Using QC1.0 adapter might result in either overheat or slow charge.

1) QC1.0 power adapter with output 5V/1A is NOT recommended. (charge power is lowered from 10W to 5W if using 5V/1A power adapter)

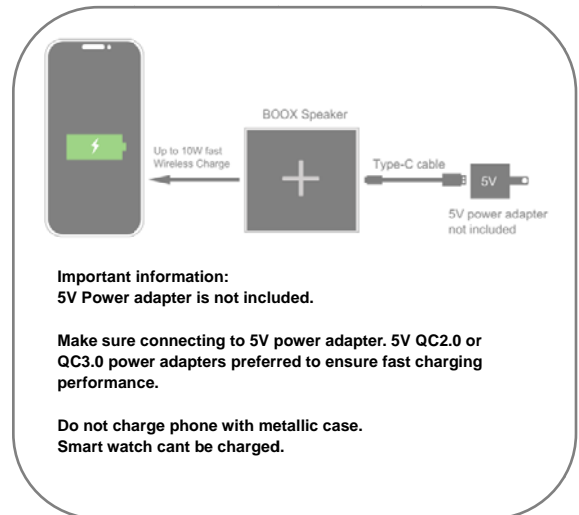
2) QC2.0 power adapter with output 5V/2A is recommended.

3) QC3.0 power adapter with output 5V/3A is recommended.

2. **Place Qi enabled phone or device on the silicon cross.**

Phone or device will send indication image/sound when charge starts.

Speaker turns on "Green" LED indicator when wireless charging is working.



### Notes:

Green LED last for 3 seconds and turns off when the wireless charger is in operation. GREEN twinkles when a foreign object is detected.

### 3. About working temperature

Its a normal phenomenon of fever during the charging process, please take off the device after fully charged.

## Troubleshooting

I feel the charging is slow?

- Check if cable is connected correctly and ensure using QC2.0/QC3.0 adapter.

Phone or device is not charged?

- Ensure phone is placed correctly on the + in the middle of top surface.
- Power ON/OFF your phone and retry
- Make sure your phone or device is wireless charge enabled.

Device or Wireless Charger is very warm?

- Ensure you use a correct adapter.
- Do not cover both phone and wireless charger during charging.

## Specification

Speaker output: 5W

Wireless charge: 10W fast charge

Bluetooth range: 10 meters

Driver: 2.0 inch full range

Battery: 3.7V 1800mAh rechargeable

Input: 5V DC

Material: plastic, silicon.

**FCC Statement**

Changes or modifications not expressly approved by the party responsible for compliance could void the user's authority to operate the equipment.

This equipment has been tested and found to comply with the limits for a Class B digital device, pursuant to Part 15 of the FCC Rules. These limits are designed to provide reasonable protection against harmful interference in a residential installation. This equipment generates uses and can radiate radio frequency energy and, if not installed and used in accordance with the instructions, may cause harmful interference to radio communications. However, there is no guarantee that interference will not occur in a particular installation. If this equipment does cause harmful interference to radio or television reception, which can be determined by turning the equipment off and on, the user is encouraged to try to correct the interference by one or more of the following measures:

- Reorient or relocate the receiving antenna.
- Increase the separation between the equipment and receiver.
- Connect the equipment into an outlet on a circuit different from that to which the receiver is connected.
- Consult the dealer or an experienced radio/TV technician for help

This device complies with part 15 of the FCC rules. Operation is subject to the following two conditions (1) this device may not cause harmful interference, and (2) this device must accept any interference received, including interference that may cause undesired operation.