
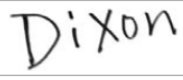



## FCC TEST REPORT

### 47 CFR FCC Part 15 Subpart B

<b>Report Reference No.....:</b>	MWR1403002804	
<b>FCC ID.....:</b>	2ABOSSKYTV	
Compiled by ( position+printed name+signature)...	File administrators Martin Ao	
Supervised by ( position+printed name+signature)...	Test Engineer Martin Ao	
Approved by ( position+printed name+signature)...	Manager Dixon Hao	
Date of issue.....:	Mar 24, 2014	
<b>Representative Laboratory Name ..:</b>	<b>Maxwell International Co., Ltd.</b>	
Address .....	Room 509, Hongfa center building, Baoan District, Shenzhen, Guangdong, China	
<b>Testing Laboratory Name .....</b>	<b>DTT Services Co.,Ltd</b>	
Address .....	1F,2 Block, Jiaquan Building, Guanlan High-tech Park, Bao'an District, Shenzhen, Guangdong, China. 518110	
<b>Applicant's name.....:</b>	<b>SKY PHONE LLC</b>	
Address .....	1348 Washington Av. Suite 350	
<b>Test specification .....</b>		
Standard .....	<b>47 CFR FCC Part 15 Subpart B - Unintentional Radiators</b>	
	<b>ANSI C63.4: 2009</b>	
TRF Originator.....:	DTT Services Co.,Ltd	
Master TRF.....:	Dated 2011-05	
<b>DTT Services Co.,Ltd All rights reserved.</b>		
This publication may be reproduced in whole or in part for non-commercial purposes as long as the DTT Services Co.,Ltd as copyright owner and source of the material. DTT Services Co.,Ltd takes no responsibility for and will not assume liability for damages resulting from the reader's interpretation of the reproduced material due to its placement and context.		
<b>Test item description .....</b>	SKY Pocket TV	
Trade Mark .....		
Model/Type reference.....:	MC906	
Listed Models .....	M906xy(x:0-9,y:A-Z), PRO90600xy(x:0-9,y:A-Z)	
<b>Manufacturer.....:</b>	<b>SKY PHONE LLC</b>	
Rating .....	DC 3.70V	
Hardware version .....	A19_V1.3	
Software version .....	V1.3	
Result.....:	<b>PASS</b>	

**TEST REPORT**

<b>Test Report No. :</b>	<b>MWR1403002804</b>	Mar 24, 2014
		Date of issue

Equipment under Test : SKY Pocket TV

Model /Type : MC906

Listed Models : M906xy(x:0-9,y:A-Z), PRO90600xy(x:0-9,y:A-Z)

**Applicant** : **SKY PHONE LLC**

Address : 1348 Washington Av. Suite 350

**Manufacturer** : **SKY PHONE LLC**

Address : 1348 Washington Av. Suite 350

<b>Test Result:</b>	<b>PASS</b>
---------------------	-------------

The test report merely corresponds to the test sample.

It is not permitted to copy extracts of these test result without the written permission of the test laboratory.

## Contents

<b>1.</b>	<b><u>TEST STANDARDS.....</u></b>	<b>4</b>
<b>2.</b>	<b><u>SUMMARY .....</u></b>	<b>5</b>
2.1.	General Remarks	5
2.2.	Product Description	5
2.3.	Equipment Under Test	5
2.4.	Short description of the Equipment under Test (EUT)	5
2.5.	EUT operation mode	5
2.6.	Related Submittal(s) / Grant (s)	5
2.7.	Internal Identification of AE used during the test	6
2.8.	Modifications	6
2.9.	EUT configuration	6
2.10.	Configuration of Tested System	6
2.11.	NOTE	7
<b>3.</b>	<b><u>TEST ENVIRONMENT.....</u></b>	<b>8</b>
3.1.	Address of the test laboratory	8
3.2.	Test Facility	8
3.3.	Environmental conditions	8
3.4.	Statement of the measurement uncertainty	8
3.5.	Equipments Used during the Test	9
<b>4.</b>	<b><u>TEST CONDITIONS AND RESULTS.....</u></b>	<b>10</b>
4.1.	Conducted Emissions Test	10
4.2.	Radiated Emission Test	12
<b>5.</b>	<b><u>TEST SETUP PHOTOS OF THE EUT .....</u></b>	<b>16</b>
<b>6.</b>	<b><u>EXTERNAL AND INTERNAL PHOTOS OF THE EUT .....</u></b>	<b>17</b>

## 1. TEST STANDARDS

The tests were performed according to following standards:

[47 CFR FCC Part 15 Subpart B](#) - Unintentional Radiators

[ANSI C63.4: 2009](#) – American National Standard for Methods of Measurement of Radio-Noise Emissions from Low-Voltage Electrical and Electronic Equipment in the Range of 9 kHz to 40GHz

## 2. SUMMARY

### 2.1. General Remarks

Date of receipt of test sample	:	Mar 10, 2014
Testing commenced on	:	Mar 10, 2014
Testing concluded on	:	Mar 24, 2014

### 2.2. Product Description

The **SKY PHONE LLC**'s Model: MC906 or the "EUT" as referred to in this report; more general information as follows, for more details, refer to the user's manual of the EUT.

Name of EUT	SKY Pocket TV
Model Number	MC906/M906xy(x:0-9,y:A-Z), PRO90600xy(x:0-9,y:A-Z),
FCC ID	2ABOSSKYTV
Modulation Type	GMSK for GSM/GPRS
Antenna Type	External
GSM/EDGE/GPRS	Supported GPRS
Extreme temp. Tolerance	-30°C to +60°C
Extreme vol. Limits	3.40VDC to 4.20VDC (nominal: 3.70VDC)
GSM Operation Frequency Band	GSM 850MHz/ PCS 1900MHz
GSM Release Version	R99
GPRS operation mode	Class B
GPRS Multislot Class	12
EGPRS Multislot Class	Not Supported

### 2.3. Equipment Under Test

#### Power supply system utilised

Power supply voltage	:	<input type="radio"/> 120V / 60 Hz	<input type="radio"/> 115V / 60Hz
		<input type="radio"/> 12 V DC	<input type="radio"/> 24 V DC
		<input checked="" type="radio"/> Other (specified in blank below)	

DC 3.70V

### 2.4. Short description of the Equipment under Test (EUT)

2.4GHz (SKY Pocket TV (M/N: MC906))

For more details, refer to the user's manual of the EUT.

### 2.5. EUT operation mode

The EUT has been tested under typical operating condition.

### 2.6. Related Submittal(s) / Grant (s)

This submittal(s) (test report) is intended for FCC ID: **2ABOSSKYTV** filing to comply with the FCC Part 15, Subpart B Rules.

### 2.7. Internal Identification of AE used during the test

AE ID*	Description
AE1	Battery
AE2	Charger

AE1

Model: MC906  
 Manufacturer: SKY PHONE LLC  
 Capacitance: 800mAh  
 Nominal Voltage: 3.70V

AE2:

Model: MC906  
 Manufacturer: SKY PHONE LLC

\*AE ID: is used to identify the test sample in the lab internally.  
 We not used AE2 when for FCC Part 15B test.

### 2.8. Modifications

No modifications were implemented to meet testing criteria.

### 2.9. EUT configuration

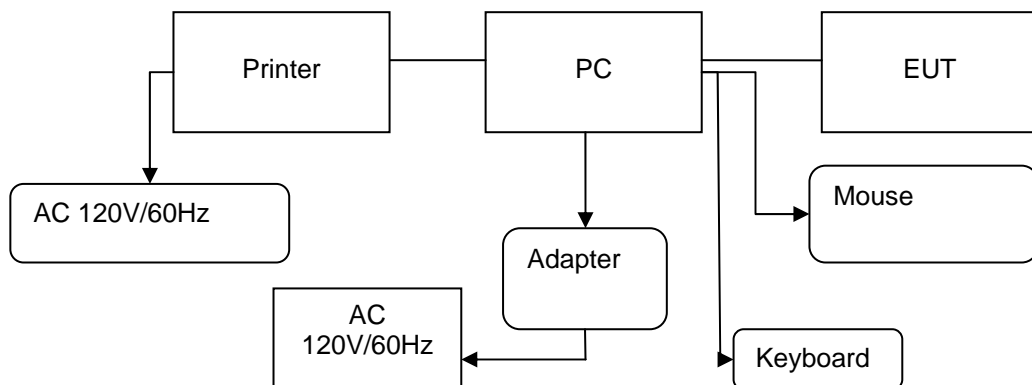
The following peripheral devices and interface cables were connected during the measurement:

- - supplied by the manufacturer
- - supplied by the lab

○	Power Cable	Length (m) :	/
		Shield :	/
		Detachable :	/
○	Multimeter	Manufacturer :	/
		Model No. :	/

### 2.10. Configuration of Tested System

Configuration of Tested System



Equipment Used in Tested System

No.	Equipment	Manufacturer	Model No.	Serial No.	Length	shielded/unshielded	Notes
1	PC	Acer	E1-571G	1RNN42X	/	/	DOC
2	Printer	HP	C3990	C3990A	/	/	DOC
3	Mouse	DELL	MO56UO A	G0E02SY7	1.00m	unshielded	DOC
4	Keyboard	DELL	L100	CNRH656658907	/	/	DOC

				26009L			
5	USB Cable (EUT to PC)	Genshuo	USB 2.0	N/A	0.60m	unshielded	N/A
6	USB Cable (Printer to PC)	Genshuo	USB 2.0	N/A	1.20m	unshielded	N/A
7	Power line	/	/	N/A	1.00m	unshielded	N/A
8	Adapter	HIPRO	HP-A0904A3	F1120709016S404	1.50m	unshielded	DOC

**2.11. NOTE**

1. The EUT is a Sky Pocket TV with GSM/GPRS,WiFi and Bluetooth fuction,The functions of the EUT listed as below:

	Test Standards	Reference Report
GSM/GPRS	FCC Part 22/FCC Part 24	MWR1403002801
Bluetooth	FCC Part 15 C 15.247	MWR1403002802
WiFi	FCC Part 15 C 15.247	MWR1403002803
USB Port	FCC Part 15 B	MWR1403002804
SAR	FCC Part 2 §2.1093	MWR1403002805

### **3. TEST ENVIRONMENT**

#### **3.1. Address of the test laboratory**

**DTT Services Co.,Ltd**

1F,2 Block, Jiaquan Building, Guanlan High-tech Park, Bao'an District, Shenzhen, Guangdong, China.  
518110

The sites are constructed in conformance with the requirements of ANSI C63.7, ANSI C63.4 (2003) and CISPR Publication 22.

#### **3.2. Test Facility**

The test facility is recognized, certified, or accredited by the following organizations:

##### **IC Registration No.: 9783A**

The 3m alternate test site of DTT Services Co.,Ltd EMC Laboratory has been registered by Certification and Engineer Bureau of Industry Canada for the performance of with Registration NO.: 9783A on Aug, 2011.

##### **FCC-Registration No.: 214666**

DTT Services Co.,Ltd EMC Laboratory has been registered and fully described in a report filed with the (FCC) Federal Communications Commission. The acceptance letter from the FCC is maintained in our files. Registration 214666, Sep 19, 2011

#### **3.3. Environmental conditions**

During the measurement the environmental conditions were within the listed ranges:

Temperature:	<u>15-35 ° C</u>
Humidity:	<u>30-60 %</u>
Atmospheric pressure:	<u>950-1050mbar</u>

#### **3.4. Statement of the measurement uncertainty**

The data and results referenced in this document are true and accurate. The reader is cautioned that there may be errors within the calibration limits of the equipment and facilities. The measurement uncertainty was calculated for all measurements listed in this test report acc. to CISPR 16 - 4 „Specification for radio disturbance and immunity measuring apparatus and methods – Part 4: Uncertainty in EMC Measurements“ and is documented in the DTT Services Co.,Ltd quality system acc. to DIN EN ISO/IEC 17025. Furthermore, component and process variability of devices similar to that tested may result in additional deviation. The manufacturer has the sole responsibility of continued compliance of the device.

Hereafter the best measurement capability for DTT Services Co.,Ltd laboratory is reported:

<b>Test</b>	<b>Range</b>	<b>Measurement Uncertainty</b>	<b>Notes</b>
Radiated Emission	30~1000MHz	4.24 dB	(1)
Radiated Emission	1~18GHz	5.16 dB	(1)
Radiated Emission	18-40GHz	5.54 dB	(1)
Conducted Disturbance	0.15~30MHz	3.39 dB	(1)

(1) This uncertainty represents an expanded uncertainty expressed at approximately the 95% confidence level using a coverage factor of k=2.



### 3.5. Equipments Used during the Test

Conducted Emission					
Item	Test Equipment	Manufacturer	Model No.	Serial No.	Last Cal.
1	EMI TEST RECEIVER	Rohde & Schwarz	ESCI	100106	2013/10/26
2	ARTIFICIAL MAINS	Rohde & Schwarz	ESH2-Z5	100028	2013/10/26
3	PULSE LIMITER	Rohde & Schwarz	ESHSZ2	100044	2013/10/26
4	EMI TEST Software	Rohde & Schwarz	ES-K1	N/A	N/A

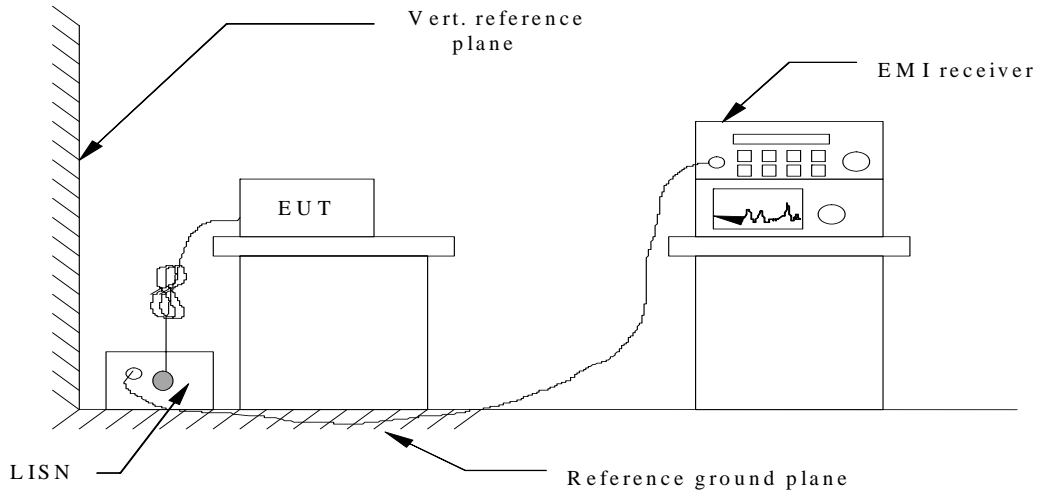
Radiated Emission					
Item	Test Equipment	Manufacturer	Model No.	Serial No.	Last Cal.
1	Ultra-Broadband Antenna	ShwarzBeck	VULB9163	538	2013/10/27
2	EMI TEST RECEIVER	Rohde & Schwarz	ESI 26	100009	2013/10/25
3	EMI TEST Software	Audix	E3	N/A	N/A
4	TURNTABLE	MATURO	TT2.0	----	N/A
5	ANTENNA MAST	MATURO	TAM-4.0-P	----	N/A
6	EMI TEST Software	Rohde & Schwarz	ESK1	N/A	N/A
7	HORN ANTENNA	ShwarzBeck	9120D	1012	2013/10/27
8	Preamplifier	ShwarzBeck	BBV 9718	BBV 9718	2013/10/25
9	Broadband Preamplifier	ShwarzBeck	BBV743	9743-0079	2013/10/25

The calibration interval was one year.

## 4. TEST CONDITIONS AND RESULTS

### 4.1. Conducted Emissions Test

#### TEST CONFIGURATION



#### TEST PROCEDURE

1. The equipment was set up as per the test configuration to simulate typical actual usage per the user's manual. The EUT is a tabletop system; a wooden table with a height of 0.8 meters is used and is placed on the ground plane as per ANSI C63.4-2009.
2. Support equipment, if needed, was placed as per ANSI C63.4-2009.
3. All I/O cables were positioned to simulate typical actual usage as per ANSI C63.4-2009.
4. The EUT received AC120V/60Hz power through a Line Impedance Stabilization Network (LISN) which supplied power source and was grounded to the ground plane.
5. All support equipments received AC power from a second LISN, if any.
6. The EUT test program was started. Emissions were measured on each current carrying line of the EUT using a spectrum Analyzer / Receiver connected to the LISN powering the EUT. The LISN has two monitoring points: Line 1 (Hot Side) and Line 2 (Neutral Side). Two scans were taken: one with Line 1 connected to Analyzer / Receiver and Line 2 connected to a 50 ohm load; the second scan had Line 1 connected to a 50 ohm load and Line 2 connected to the Analyzer / Receiver.
7. Analyzer / Receiver scanned from 150 KHz to 30MHz for emissions in each of the test modes.
8. During the above scans, the emissions were maximized by cable manipulation.

#### CONDUCTED POWER LINE EMISSION LIMIT

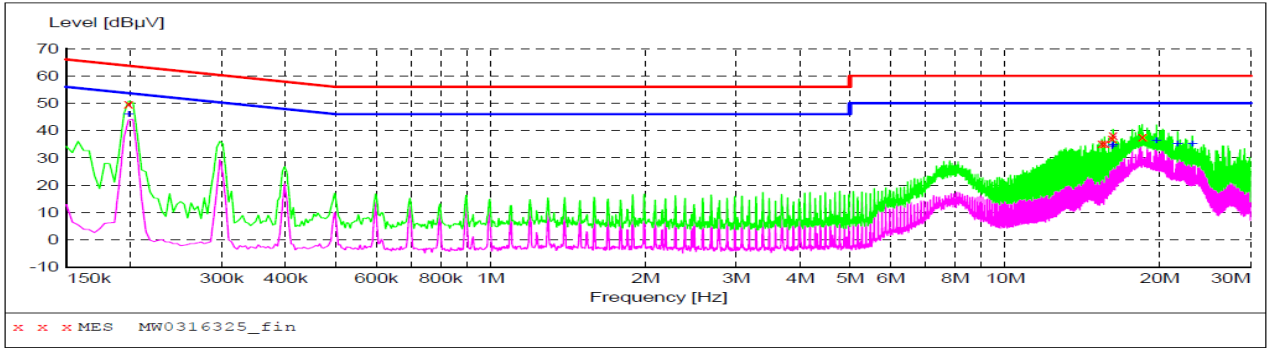
For unintentional device, according to § 15.107(a) Line Conducted Emission Limits is as following :

Frequency (MHz)	Maximum RF Line Voltage (dBµV)			
	CLASS A		CLASS B	
	Q.P.	Ave.	Q.P.	Ave.
0.15 - 0.50	79	66	66-56*	56-46*
0.50 - 5.00	73	60	56	46
5.00 - 30.0	73	60	60	50

\* Decreasing linearly with the logarithm of the frequency

#### TEST RESULTS

**SCAN TABLE: "Voltage (150K-30M) FIN"**  
 Short Description: 150K-30M Voltage



**MEASUREMENT RESULT: "MW0316325\_fin"**

3/16/2014 5:39PM

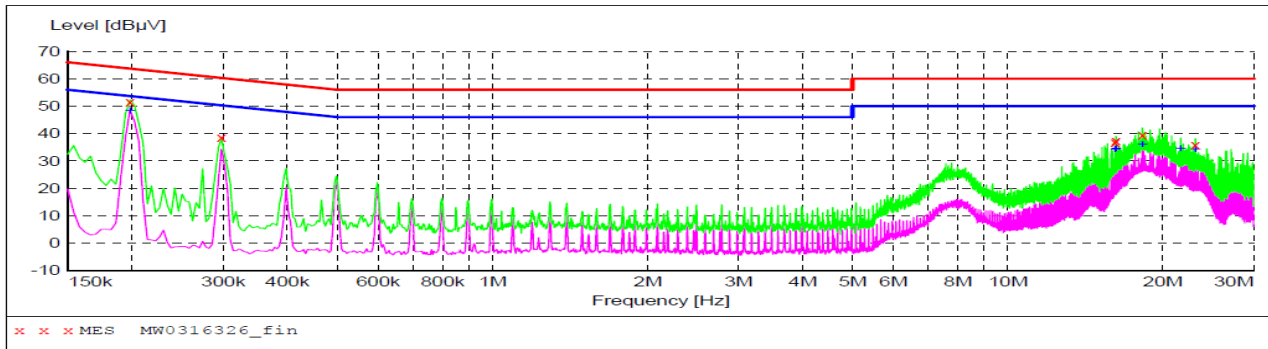
Frequency MHz	Level dBµV	Transd dB	Limit dBµV	Margin dB	Detector	Line	PE
0.198000	49.70	10.3	64	14.0	QP	L1	GND
15.434000	35.20	10.9	60	24.8	QP	L1	GND
15.618000	35.30	10.9	60	24.7	QP	L1	GND
16.166000	37.00	10.9	60	23.0	QP	L1	GND
16.226000	38.20	10.9	60	21.8	QP	L1	GND
18.486000	37.60	10.9	60	22.4	QP	L1	GND

**MEASUREMENT RESULT: "MW0316325\_fin2"**

3/16/2014 5:39PM

Frequency MHz	Level dBµV	Transd dB	Limit dBµV	Margin dB	Detector	Line	PE
0.198000	45.70	10.3	54	8.0	AV	L1	GND
16.166000	34.20	10.9	50	15.8	AV	L1	GND
16.226000	34.80	10.9	50	15.2	AV	L1	GND
19.710000	36.20	10.9	50	13.8	AV	L1	GND
21.662000	34.90	11.0	50	15.1	AV	L1	GND
23.130000	34.90	11.1	50	15.1	AV	L1	GND

**SCAN TABLE: "Voltage (150K-30M) FIN"**  
 Short Description: 150K-30M Voltage



**MEASUREMENT RESULT: "MW0316326\_fin"**

3/16/2014 5:42PM

Frequency MHz	Level dBµV	Transd dB	Limit dBµV	Margin dB	Detector	Line	PE
0.198000	51.60	10.3	64	12.1	QP	N	GND
0.298000	38.50	10.2	60	21.8	QP	N	GND
16.166000	36.90	10.9	60	23.1	QP	N	GND
16.230000	37.50	10.9	60	22.5	QP	N	GND
18.242000	39.60	10.9	60	20.4	QP	N	GND
23.130000	36.00	11.1	60	24.0	QP	N	GND

**MEASUREMENT RESULT: "MW0316326\_fin2"**

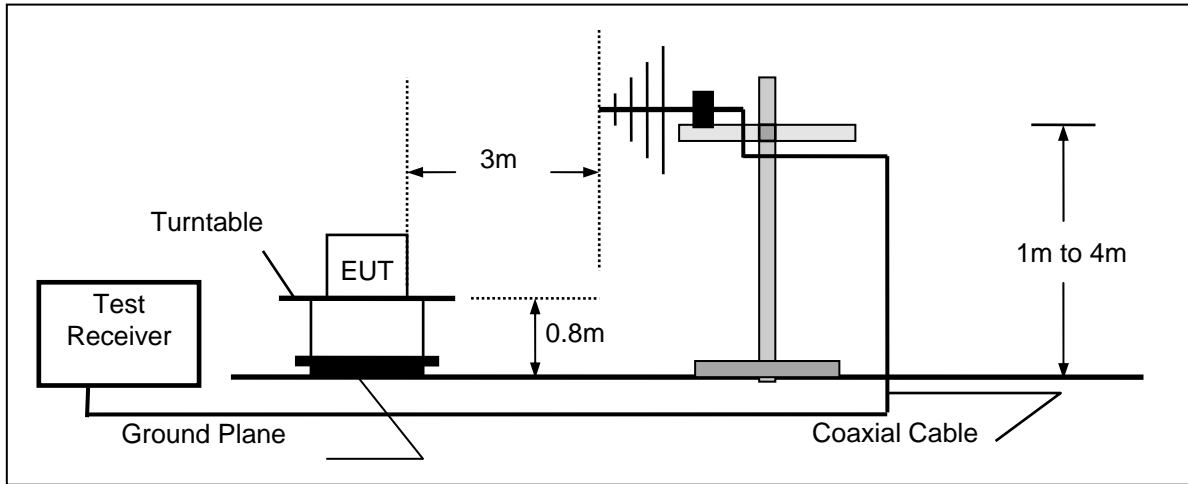
3/16/2014 5:42PM

Frequency MHz	Level dBµV	Transd dB	Limit dBµV	Margin dB	Detector	Line	PE
0.198000	48.20	10.3	54	5.5	AV	N	GND
16.166000	34.00	10.9	50	16.0	AV	N	GND
16.226000	34.40	10.9	50	15.6	AV	N	GND
18.242000	36.00	10.9	50	14.0	AV	N	GND
21.662000	34.40	11.0	50	15.6	AV	N	GND
23.130000	34.20	11.1	50	15.8	AV	N	GND

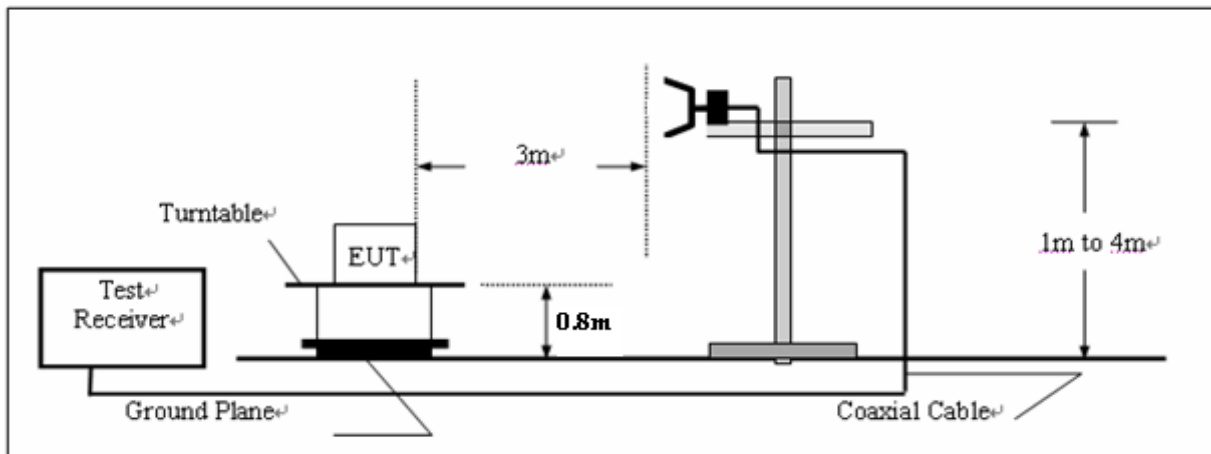
## 4.2. Radiated Emission Test

### TEST CONFIGURATION

- a) Radiated Emission Test Set-Up, Frequency below 1000MHz



- b) Radiated Emission Test Set-Up, Frequency above 1000MHz



### TEST PROCEDURE

1. The EUT is placed on a turntable, which is 0.8m above ground plane.
2. The turntable shall be rotated for 360 degrees to determine the position of maximum emission level.
3. EUT is set 3m away from the receiving antenna, which is varied from 1m to 4m to find out the highest emissions.
4. Maximum procedure was performed on the six highest emissions to ensure EUT compliance.
5. And also, each emission was to be maximized by changing the polarization of receiving antenna both horizontal and vertical.
6. Repeat above procedures until the measurements for all frequencies are complete.
7. The maximum operation frequency was 512MHz, the radiated emission test frequency from 30MHz to 6GHz.

### FIELD STRENGTH CALCULATION

The field strength is calculated by adding the Antenna Factor and Cable Factor and subtracting the Amplifier Gain and Duty Cycle Correction Factor (if any) from the measured reading. The basic equation with a sample calculation is as follows:

$$FS = RA + AF + CL - AG$$

Where FS = Field Strength	CL = Cable Attenuation Factor (Cable Loss)
RA = Reading Amplitude	AG = Amplifier Gain
AF = Antenna Factor	

For example

Frequency (MHz)	FS (dBµV/m)	RA (dBµV/m)	AF (dB)	CL (dB)	AG (dB)	Transd (dB)
300.00	40	58.1	12.2	1.6	31.90	-18.1

Transd=AF +CL-AG

**RADIATION LIMIT**

For unintentional device, according to § 15.109(a), except for Class A digital devices, the field strength of radiated emissions from unintentional radiators at a distance of 3 meters shall not exceed the following values:

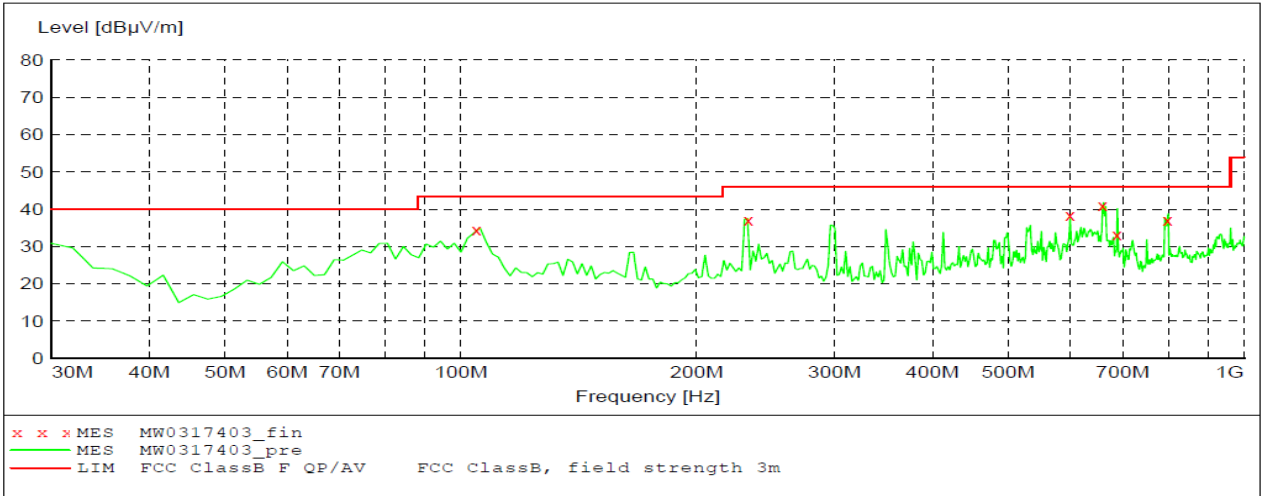
Frequency (MHz)	Distance (Meters)	Radiated (dBµV/m)	Radiated (µV/m)
30-88	3	40.0	100
88-216	3	43.5	150
216-960	3	46.0	200
Above 960	3	54.0	500

**TEST RESULTS**

***For 30MHz-1GHz***

**SCAN TABLE: "test Field(30M-1G)OP"**

Short Description:		Field Strength(30M-1G)					
Start	Stop	Step	Detector	Meas.	IF	Transducer	
Frequency	Frequency	Width		Time	Bandw.		
30.0 MHz	1.0 GHz	60.0 kHz	QuasiPeak	1.0 s	120 kHz	VULB9163	



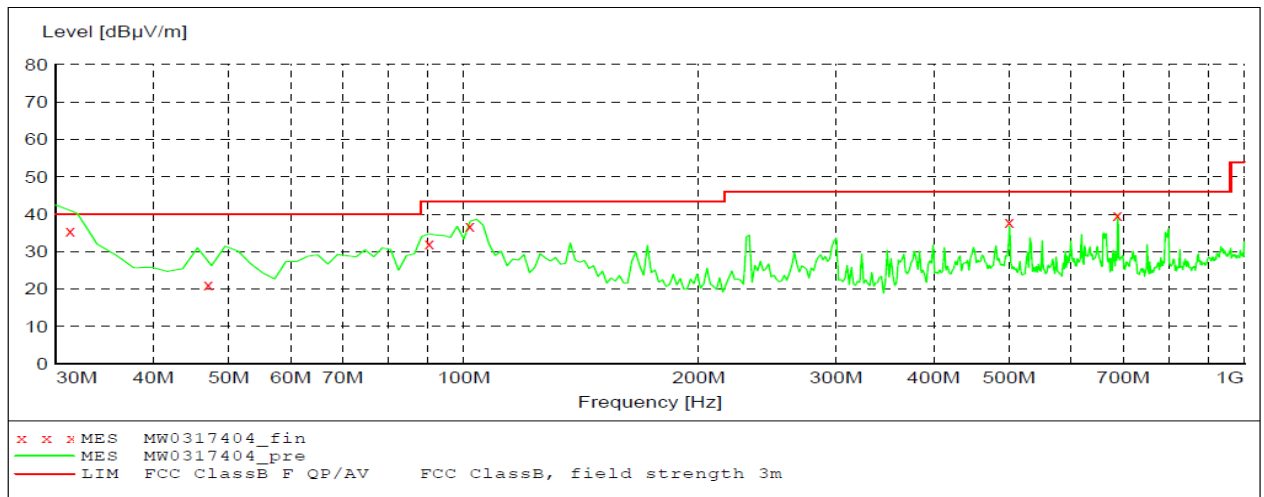
**MEASUREMENT RESULT: "MW0317403\_fin"**

3/17/2014 11:52PM

Frequency MHz	Level dBµV/m	Transd dB	Limit dBµV/m	Margin dB	Det.	Height cm	Azimuth deg	Polarization
104.700000	34.60	-19.3	43.5	8.9	QP	276.0	139.00	HORIZONTAL
232.920000	37.00	-20.4	46.0	9.0	QP	100.0	265.00	HORIZONTAL
600.000000	38.30	-12.3	46.0	7.7	QP	100.0	219.00	HORIZONTAL
659.940000	40.90	-11.0	46.0	5.1	QP	144.0	157.00	HORIZONTAL
688.080000	33.20	-10.9	46.0	12.8	QP	150.0	185.00	HORIZONTAL
798.540000	37.00	-8.8	46.0	9.0	QP	100.0	177.00	HORIZONTAL

**SCAN TABLE: "test Field(30M-1G)OP"**

Short Description:		Field Strength(30M-1G)					
Start	Stop	Step	Detector	Meas.	IF	Transducer	
Frequency	Frequency	Width		Time	Bandw.		
30.0 MHz	1.0 GHz	60.0 kHz	QuasiPeak	1.0 s	120 kHz	VULB9163	

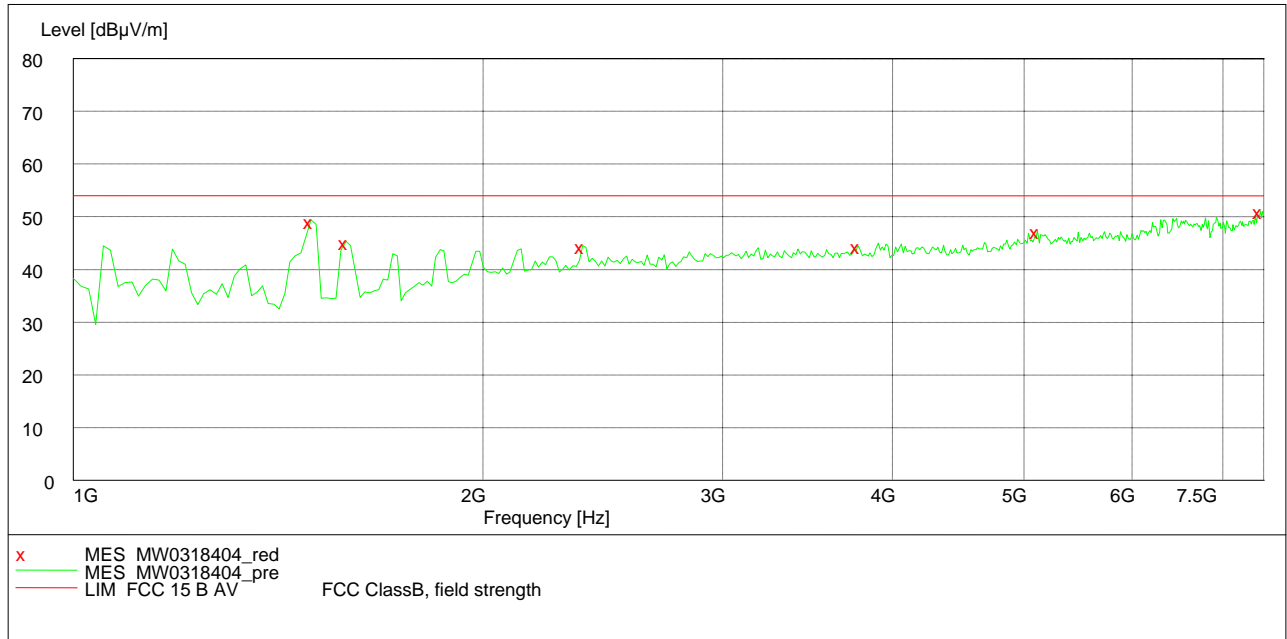


**MEASUREMENT RESULT: "MW0317404\_fin"**

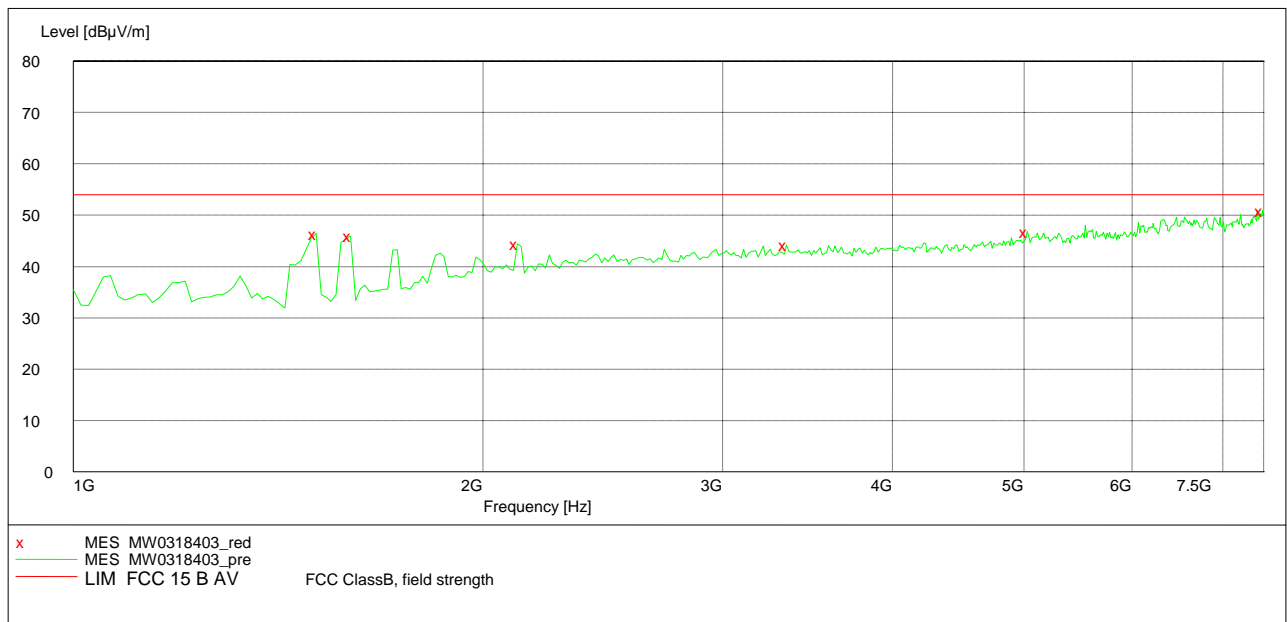
3/18/2014 00:00AM

Frequency MHz	Level dBµV/m	Transd dB	Limit dBµV/m	Margin dB	Det.	Height cm	Azimuth deg	Polarization
31.320000	35.60	-10.9	40.0	4.4	QP	100.0	219.00	VERTICAL
47.100000	21.10	-18.9	40.0	18.9	QP	100.0	141.00	VERTICAL
90.360000	32.20	-20.7	43.5	11.3	QP	100.0	210.00	VERTICAL
101.880000	36.80	-19.6	43.5	6.7	QP	100.0	258.00	VERTICAL
499.980000	37.90	-14.3	46.0	8.1	QP	100.0	283.00	VERTICAL
688.080000	39.70	-10.9	46.0	6.3	QP	100.0	158.00	VERTICAL

For 1GHz-7.5GHz



Frequency	Level	Transd	Limit	Margin	Det.	Height	Azimuth	Polarization
MHz	dBµV/m	dB	dBµV/m	dB				
1494.989980	49.30	-6.0	53.90	4.6	Peak	100.0	219.00	HORIZONTAL
1586.172345	45.30	-5.1	53.90	8.6	Peak	100.0	258.00	HORIZONTAL
2367.735471	44.50	0.3	53.90	9.4	Peak	100.0	252.00	HORIZONTAL
3774.549098	44.50	3.2	53.90	9.4	Peak	100.0	150.00	HORIZONTAL
5116.232465	47.40	5.8	53.90	6.5	Peak	100.0	0.00	HORIZONTAL
7460.921844	51.10	11.3	53.90	2.8	Peak	100.0	203.00	HORIZONTAL



Frequency	Level	Transd	Limit	Margin	Det.	Height	Azimuth	Polarization
MHz	dBµV/m	dB	dBµV/m	dB				
1508.016032	46.40	-5.9	53.90	7.5	Peak	100.0	227.00	VERTICAL
1599.198397	46.00	-5.0	53.90	7.9	Peak	100.0	282.00	VERTICAL
2120.240481	44.40	-0.8	53.90	9.5	Peak	100.0	242.00	VERTICAL
3344.689379	44.20	2.5	53.90	9.7	Peak	100.0	260.00	VERTICAL
5025.050100	46.80	5.7	53.90	7.1	Peak	100.0	46.00	VERTICAL
7486.973948	50.90	11.4	53.90	3.0	Peak	100.0	188.00	VERTICAL

## 5. Test Setup Photos of the EUT

Conducted Emission (AC Mains)



Radiated Emission (30MHz-1GHz)



Radiated Emission (above 1GHz)





## 6. External and Internal Photos of the EUT

### External photos of the EUT



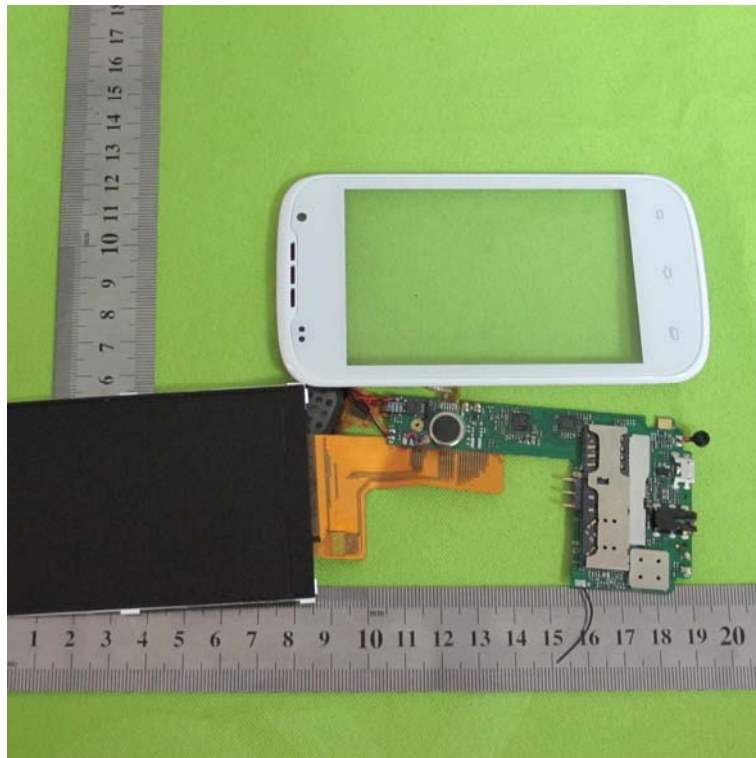


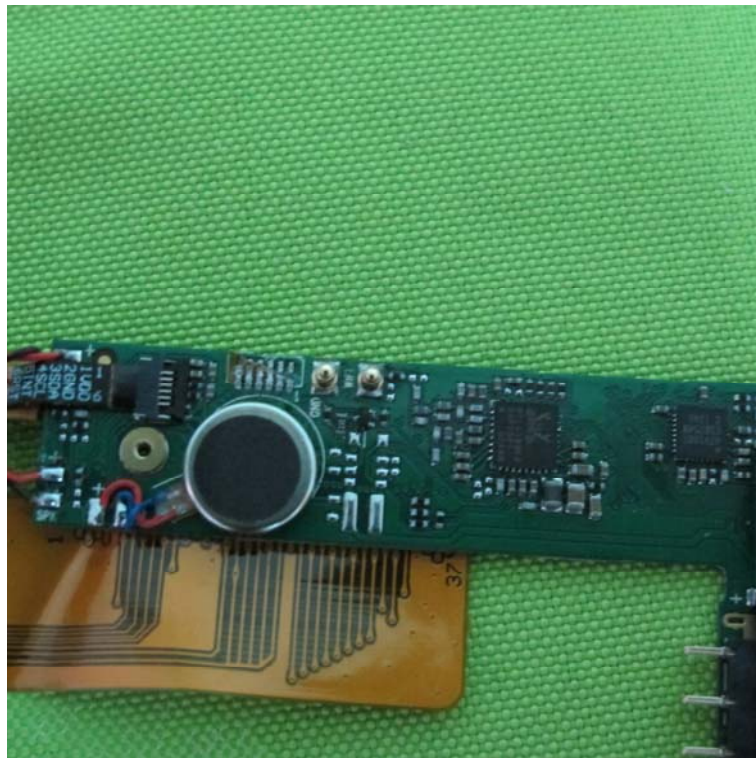
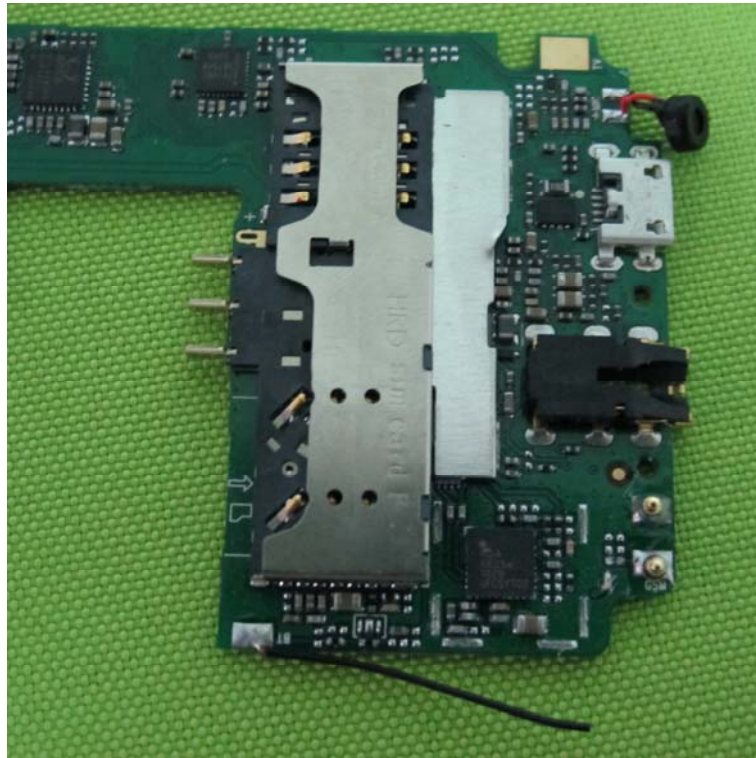


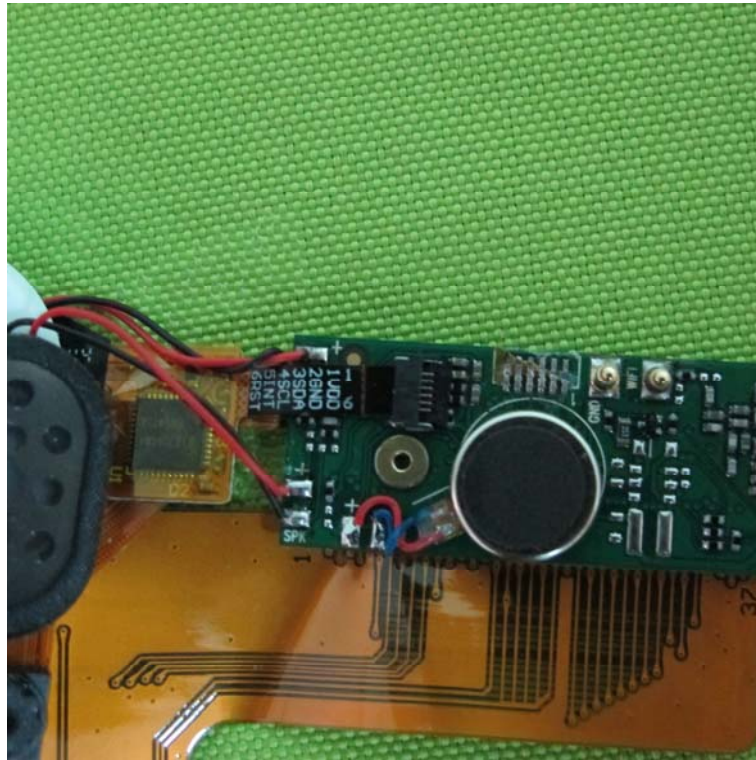


Internal photos of the EUT









.....End of Report.....