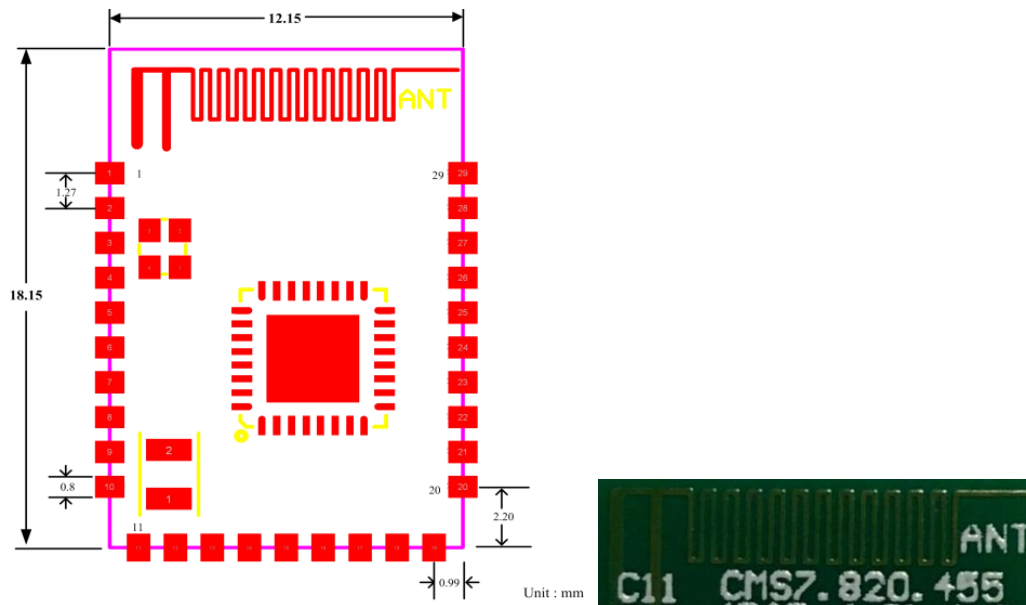


1. Antenna Specification

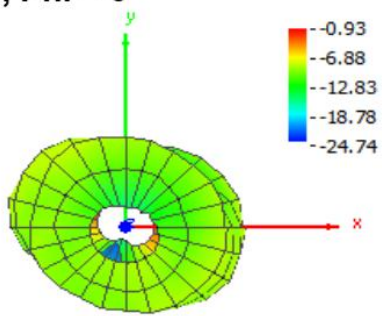
Item	Specification
Working Frequency Range	2.4-2.5GHz
Max PK Gain	2400MHz: -0.93dBi 2450MHz: -0.48dBi 2500MHz: -0.15dBi
VSWR	2.0 Max
Polarization	Linear
Type	PCB
Impedance	50Ω



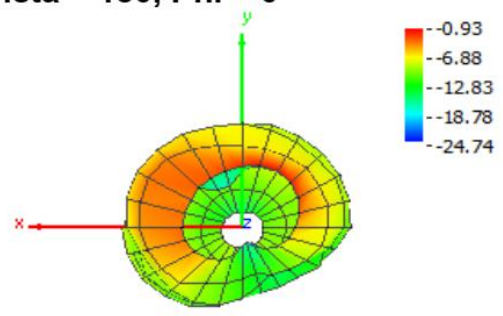
2. Pattern Plots

2400MHz, Max PK Gain=-0.93dBi

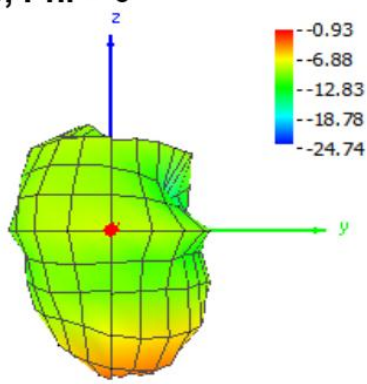
Theta = 0, Phi = 0



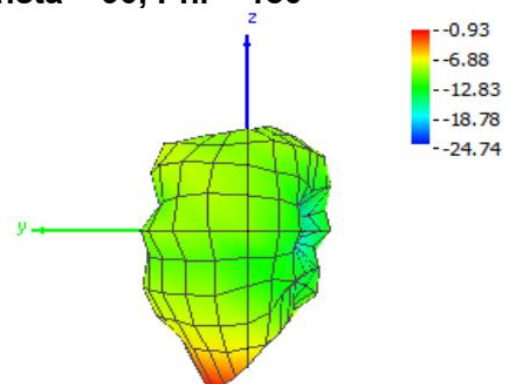
Theta = 180, Phi = 0



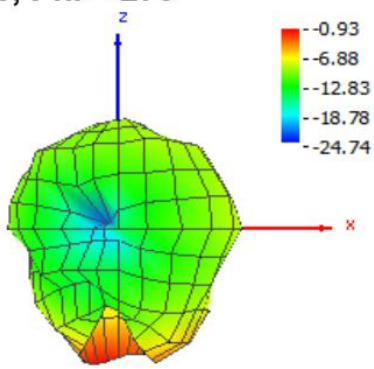
Theta = 90, Phi = 0



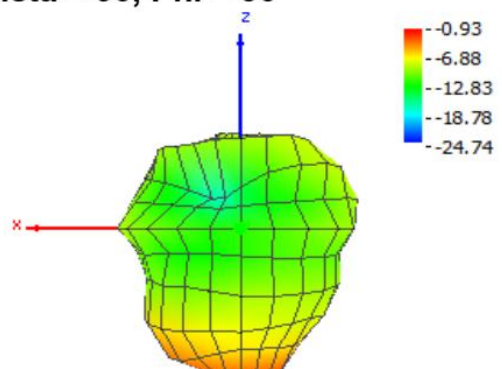
Theta = 90, Phi = 180



Theta = 90, Phi = 270

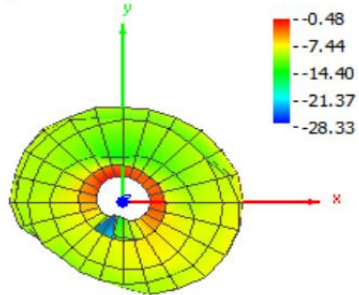


Theta = 90, Phi = 90

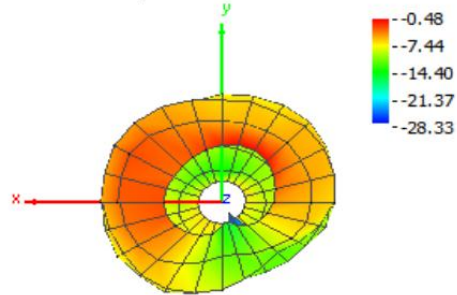


2450MHz, Max PK Gain=-0.48dBi

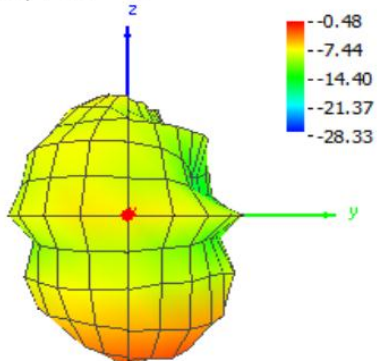
Theta = 0, Phi = 0



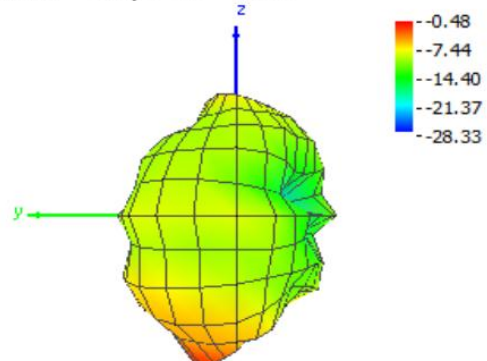
Theta = 180, Phi = 0



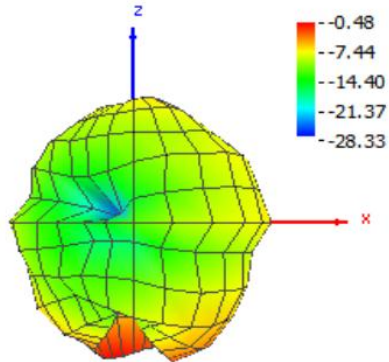
Theta = 90, Phi = 0



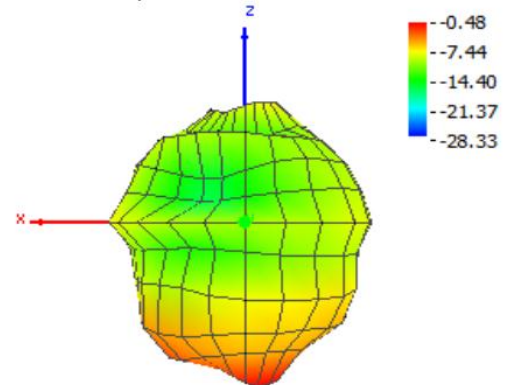
Theta = 90, Phi = 180



Theta = 90, Phi = 270

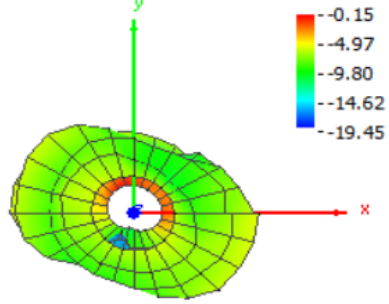


Theta = 90, Phi = 90

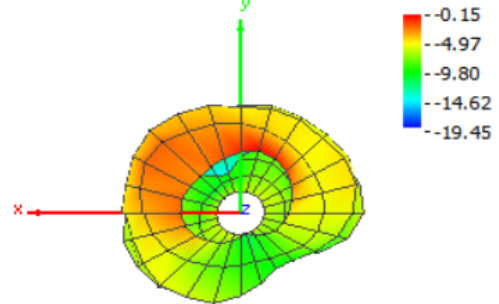


2500MHz, Max PK Gain=-0.15dBi

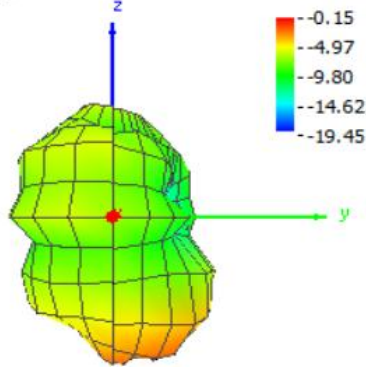
Theta = 0, Phi = 0



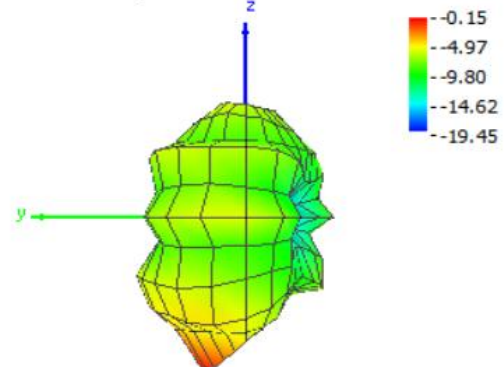
Theta = 180, Phi = 0



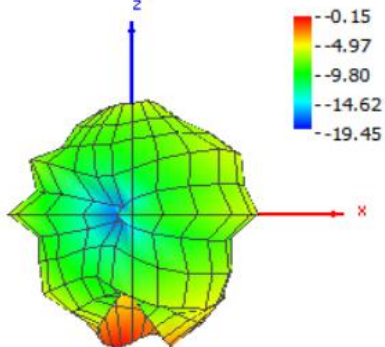
Theta = 90, Phi = 0



Theta = 90, Phi = 180



Theta = 90, Phi = 270



Theta = 90, Phi = 90

