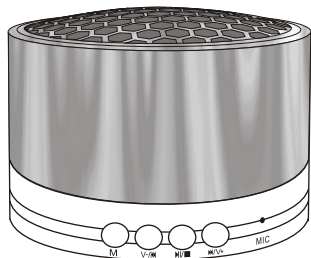


# User Manual

Model: 289

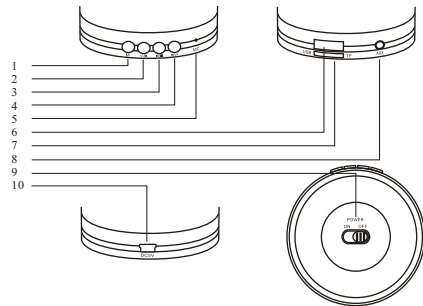
## Bluetooth speaker



Please read this manual carefully before use



### A Appearance description of function



- |                        |                        |
|------------------------|------------------------|
| 1. Play mode transform | 6. USB card port       |
| 2. Down/Volume-        | 7. TF card port        |
| 3. Play/Pause          | 8. External audio port |
| 4. Up/Volume+          | 9. Switch              |
| 5. Microphone          | 10. USB charging port  |

### B Product features

- Using the newest Bluetooth chip 4.0, high compatibility, clear sound;
- High fidelity stereo surround sound, simple and flexible control;
- Built-in digital power amplifier, high energy efficiency;
- With multi audio formats, USB, TF card, external signal, bluetooth play;
- Barrier free bluetooth transfer distance 30 meters;
- Multi-audio play mode, can use as tablet

### C Technical indicators

Output : 3W (RMS)  
Horn size : 2.2"  
Frequency response: 80Hz~16KHz  
SNR: ≥60dB

Input sensitivity: 600 ± 100mV  
Distortion: ≤ 0.3% (1W 1KHz)  
Product size: L70\*W70\*H63mm  
Charging voltage: DC5V=1A

### D Bluetooth connection instructions

- Switch on (Figure 9), indicator light turns on, the red and blue light flash

- alternately, the bluetooth is standby status;
- Open the bluetooth of mobile phone, start to search, will show "Alien 007", press it to connect, the bluetooth indicator lamp keeps light status, it means to be connected;
- Short touch **[V-]** to the last music, press 3 sec. to reduce volume. (Bluetooth connected);
- Short touch **[V+]** to the next music, press 3 sec. to add volume (Bluetooth connected);
- Short touch **[M]** to pause/play, press 3 sec. to mobile phone automatic dialing function, when have calling, short press to call and hang up the calling;
- With connected mode, the next time to open the speaker, it will connect automatically;
- If need connect with another phone, the last phone need remove the pairing, then restart the speaker to operate as the first steps.
- Press **[M]** button for 1 second to exit Bluetooth playing mode.

### E Play TF card/USB

- Read TF/USB card slot instruction, insert TF card/USB which installed MP3 music format.
- Power on the unit, the blue indication light is on, press **[M]** key for 1 sec, the indication light turns to red. TF card/USB starts to play music.
- Short press **[M/V+]** for song forward, long press for volume increase.
- Short press **[V-]** for song backward, long press for volume decrease.
- Press **[M]** button for 1 second for stop/pause/play.
- Press **[M]** button for 1 second to exit TF card/USB playing mode.

### F FM Radio

- Connect the provided 3.5mm line-in cable to speaker as an antenna.
- Power on the unit, the indication light flashes blue. Press "M" for 1 sec, indication light turns to Red; press **[M]** again, enter into FM radio.
- Short press **[M/V+]** button for next station, long press for volume increase.
- Short press **[V-]** button for previous station, long press for volume decrease.
- Under FM mode, press **[M]** for FM stations auto scan. Auto scan will take about 1 min.
- Press **[M]** button for 1 second to exit FM mode.

### G Line-in mode

- Connecting a device via 3.5mm line-in cable to KUBE1 and to external audio device.
- Switch on to blue light, without TF card or USB, press **[M]** Key, the light turns to red, enter into LINE IN mode. With TF card or USB, press **[M]** enter into LINE IN mode
- Long press **[M/V+]** for volume increase.
- Long press **[V-]** for volume decrease.

- Press **[M]** button for 1 second for stop/pause/play.
- Press **[M]** button for 1 second to exit line-in mode.

### H Saving Battery Mode

- Recharging indication Light: "CHARGE" light is red when battery is recharging. Red light will be off at full charged. Charge time is 2 hours from an empty battery.
- When "KUBE1" is not playing, it will enter into standby status in one minute, the "STATUS" light is off.
- Battery may not in full power when the unit did not recharge for long time or it is new battery, please keep recharge battery if needed.

### I Simple maintenance

When you use this machine encountered the following problems, please refer to the following ways to solve. If there is still the treatment avoidance, please contact your local dealer or service centre, do not repair yourself to prevent electrical accident or enlarge the scope of the fault.

- when music is played staccato or silent, how to do?  
Please confirm that the speaker is connected properly, if it is beyond the scope of the Bluetooth connection distance state.
- why Bluetooth cannot connect, how to do?  
Verify that Bluetooth is in standby status, turn off the power and restart, or connect another bluetooth device. To check Bluetooth connection distance if beyond the state.
- TF card player when no response, how to do?  
Please confirm the TF card has no quality problem, check the TF card installed with Mp3 format.

### J Safety warning

- If the machine smokes suddenly or other unusual problems, please pull out the power cord, to avoid the accidents, and call the local dealer or call the after sale service centre;
- If water or moisture inside the machine, please put the machine in ventilated place to dry. Cannot use high-temperature to dry the machine, otherwise it's easy to burn the components inside the machine;
- Don't put the machine in or near the naked flames, such as lighted candles;
- If don't use the machine long time, please pull out the power cord

### K Helpful hints

- Do not place the speaker in damp, high temperature, oil and other environment, and avoid place direct sunlight and rain.
- Please do not disassemble this product, so as to avoid the electric shock accident.

### L Content

The speaker, user manual, 3.5mm audio cable, DC5V charging cable.

This equipment has been tested and found to comply with the limits for a Class B digital device, pursuant to part 15 of the FCC Rules. These limits are designed to provide reasonable protection against harmful interference in a residential installation. This equipment generates, uses and can radiate radio frequency energy and, if not installed and used in accordance with the instructions, may cause harmful interference to radio communications. However, there is no guarantee that interference will not occur in a particular installation. If this equipment does cause harmful interference to radio or television reception, which can be determined by turning the equipment off and on, the user is encouraged to try to correct the interference by one or more of the following measures

- o Reorient or relocate the receiving antenna.

- o Increase the separation between the equipment and receiver.

- o Connect the equipment into an outlet on a circuit different from that to which the receiver is connected.

- o Consult the dealer or an experienced radio/TV technician for help.

Caution: Any changes or modifications to this device not explicitly approved by manufacturer could void your authority to operate this equipment.

This device complies with part 15 of the FCC Rules. Operation is subject to the following two conditions:

(1) This device may not cause harmful interference

(2) this device must accept any interference received, including interference that may cause undesired operation.