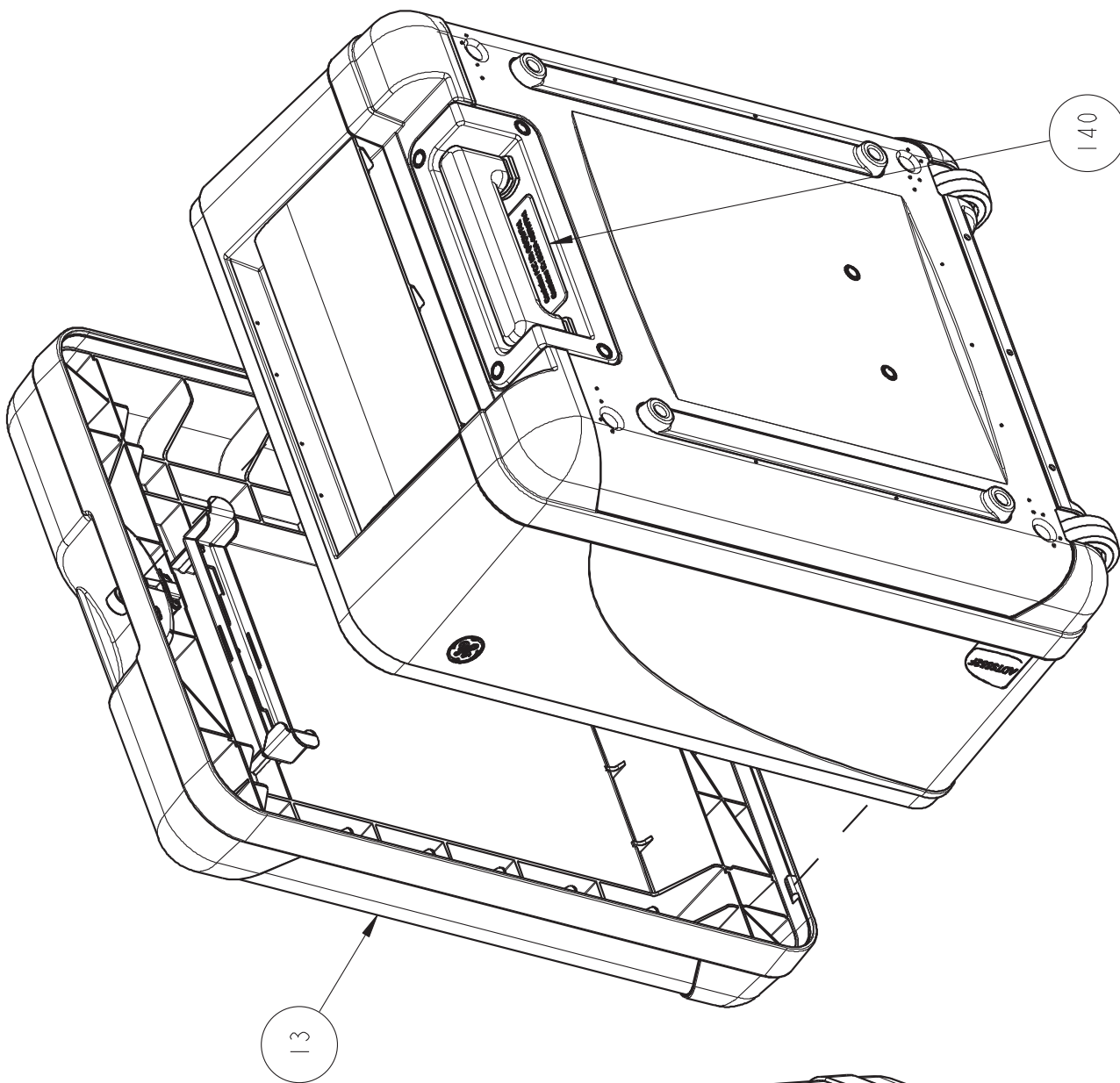


A

B

C

D



PLACE CENTRALLY
AS SHOWN

165 TORQUE 0.5 Nm

8

160 162

4

V01

