



承认书项目表

0	内容 (Contents)	数 (Number of Page)	码 (Page Code)
1	承认书封面 (Spec Cover)	1	1
2	承认书项目表 (Spec Item)	1	2
3	工程成品图 (Drawing)	1	3
4	天线规格 (Antenna Specification)	1	4
5	S参数测试 (S Parameter)	1	5
6	无源测试 (Passive Test)	3	6 ~ 8
7	有源测试 (Active Test)	1	9
8	天线装配图 (Antenna Profile)	3	10~12
9	材质证明 (Material Certificate)	40	13 ~52
10	RoHS报告 (RoHS Test Report)	**	**
11	N/A	N/A	N/A
12	-	-	-
13	-	-	-

ROHS
Compatible

CUSTOMER
PART NO

REV.

A

DESCRIPTION

首次发行

DATE

2021-12-01

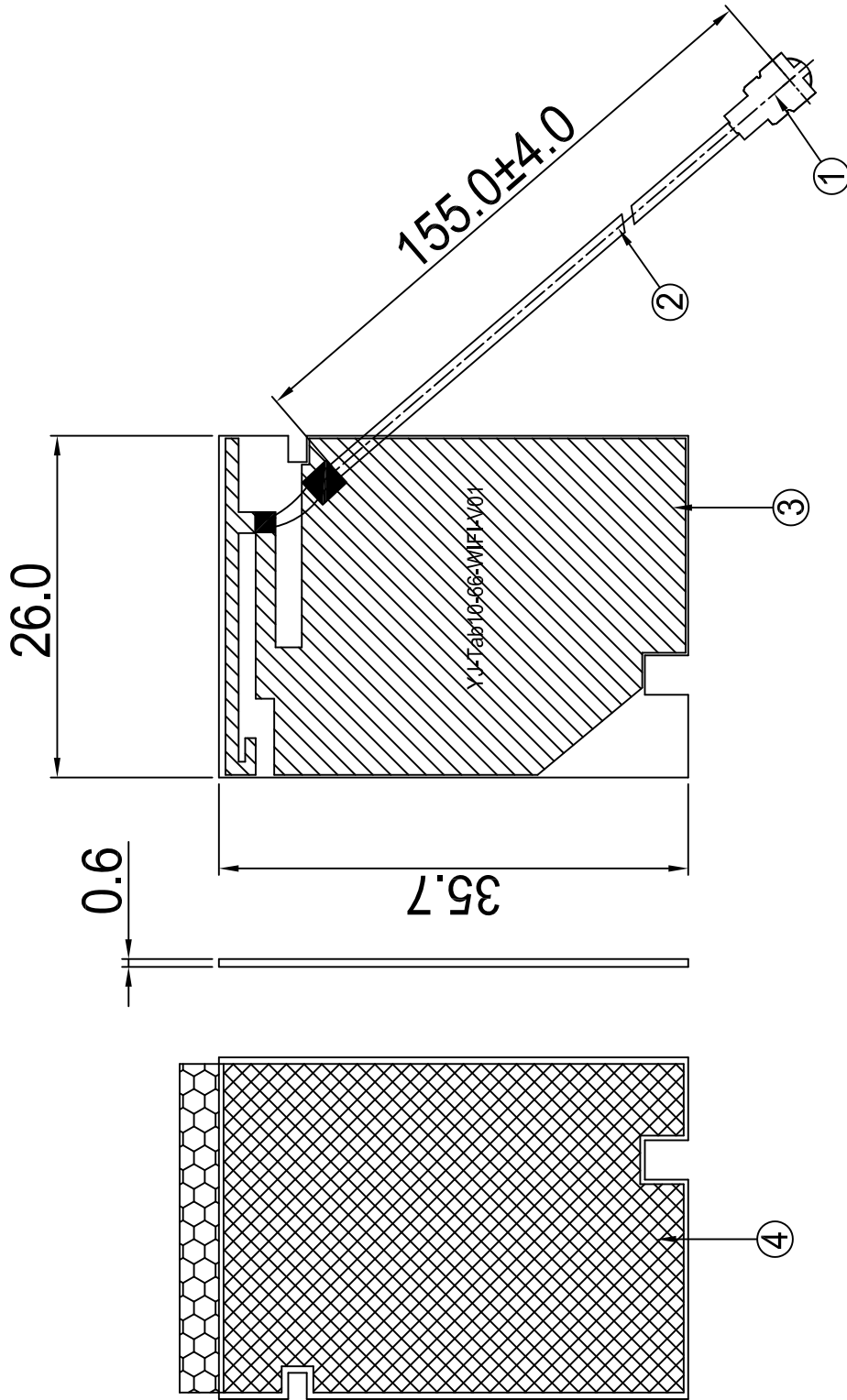
26.0

0.6

35.7

155.0±4.0

YJ-Tab10-86-WIFI-V01



东莞市一佳电子通讯科技有限公司
Dongguan Yijia Electronics Communication Technology Co., Ltd. Tel: 0769-85535057 Fax: 0769-81664308

PART NAME: WiFi Antenna L=155mm MHF

PART NO.: YJS01.042.021.304A

DATE: 2021-12-01

APPROVED BY: 陈国强

CHECKED BY: 周棋

DESIGNED BY: 廖光喜

UNITS: mm

SCALE: 1/1

REVISION: A

Tolerance
X.X ±0.50
X.XX ±0.15
X° ±3°

NO	PART NAME	DESCRIPTION	Material	Part Number	Q.TY
4	Paste	35.0*25.0MM	3M	PAS10195A.P01	1
3	PCB Black	35.7*26.0*0.6MM	PCB	FPC1000XA.P01	1
2	Coaxial Cable	O.D.1.13 Black	O.D.1.13	COA1000XA.P01	1
1	Mini Connector	Au Plated 1代	Cu	TER1000XA.P01	1



天线规格

Antenna Specification

Electrical Properties

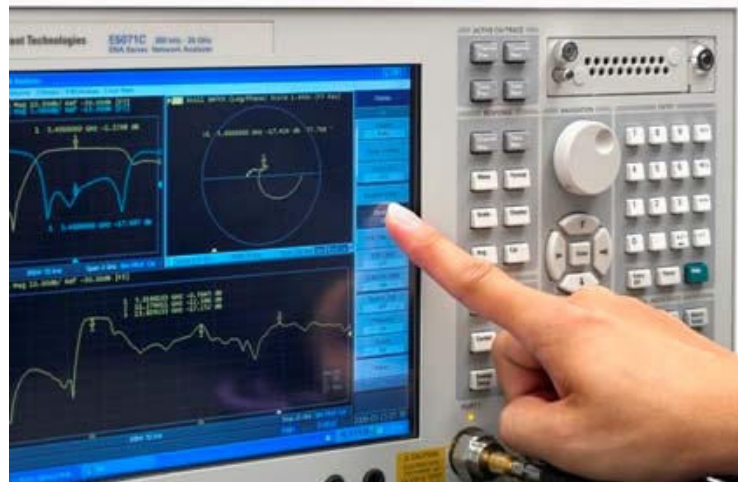
Frequency	2.4-2.5GHz 5.15-5.85GHz
Impedance	50 Ohm Nominal
V.S.W.R	2.0 Max
Gain	4.0dBi@2.4-2.5GHz 5.3dBi@5.15-5.85GHz
Radiation	Omni-directional
Polarization	Linear

Physical Properties

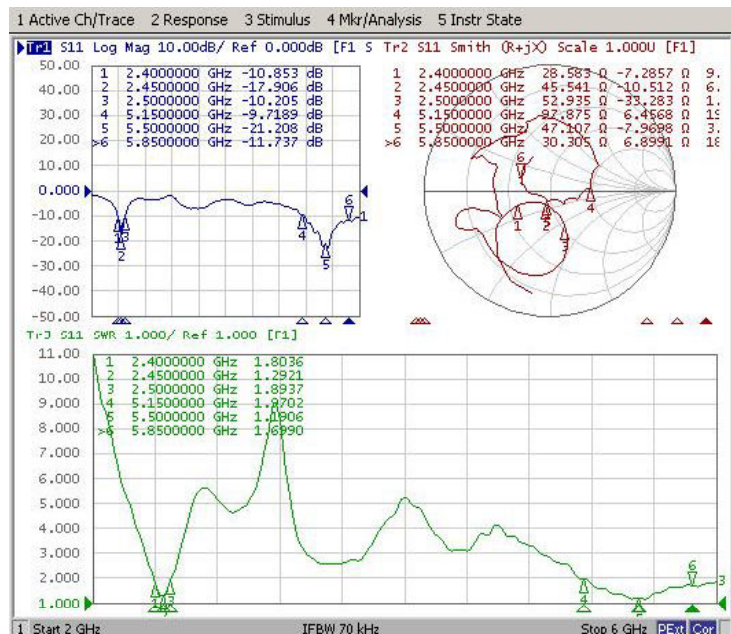
Connector	1代IPEX
Cable Type	O.D.1.13mm
Cable Length	155mm
Cable Color	Black
Operating Temp.	-40 ~ +85 °C
Storage Temp / Humidity	25 ± 5 °C / <70%



Agilent E5071B



S Parameter Test // WiFi Antenna







Passive Test For WiFi Antenna(2.4G)			
Freq (MHz)	Effi (%)	Effi (dB)	Gain (dBi)
2400	44.0	-3.6	3.8
2410	44.3	-3.5	3.4
2420	43.9	-3.6	3.2
2430	44.4	-3.5	3.4
2440	45.0	-3.5	3.3
2450	48.8	-3.1	3.9
2460	46.1	-3.4	3.6
2470	46.2	-3.4	4.0
2480	44.6	-3.5	3.6
2490	47.8	-3.2	3.9
2500	47.1	-3.3	3.5



Passive Test For WiFi Antenna(5.8G)			
Freq (MHz)	Effi (%)	Effi (dB)	Gain (dBi)
5150	32.9	-4.8	3.8
5200	33.5	-4.8	3.9
5250	33.9	-4.7	4.3
5300	33.6	-4.7	4.4
5350	35.9	-4.5	4.6
5400	35.2	-4.5	5.3
5450	33.5	-4.8	4.6
5500	32.4	-4.9	4.4
5550	31.6	-5.0	4.2
5600	30.9	-5.1	3.1
5650	30.8	-5.1	1.7
5700	31.3	-5.0	1.7
5750	32.1	-4.9	2.5
5800	31.5	-5.0	2.7
5850	30.2	-5.2	3.0



Active Test For WIFI							
Band	Channel	Data Rate	TRP	EIRP	Data Rate	TIS	EIS
WIFI 802.11a	36	6Mbps	12.0	18.2	54Mbps	-66.1	-71.8
	100						
	165		11.6	16.1		-67.5	-72.0
WIFI 802.11b	1	11Mbps	12.3	15.4	11Mbps	-81.4	-84.4
	6		11.5	14.7		-79.4	-82.8
	11		10.3	14.2		-78.1	-82.6
WIFI 802.11g	1	6Mbps	12.6	15.6	54Mbps	-69.8	-72.9
	6		12.0	15.6		-67.7	-71.1
	11		11.2	15.3		-67.2	-70.9



Device





*WiFi
Antenna*



