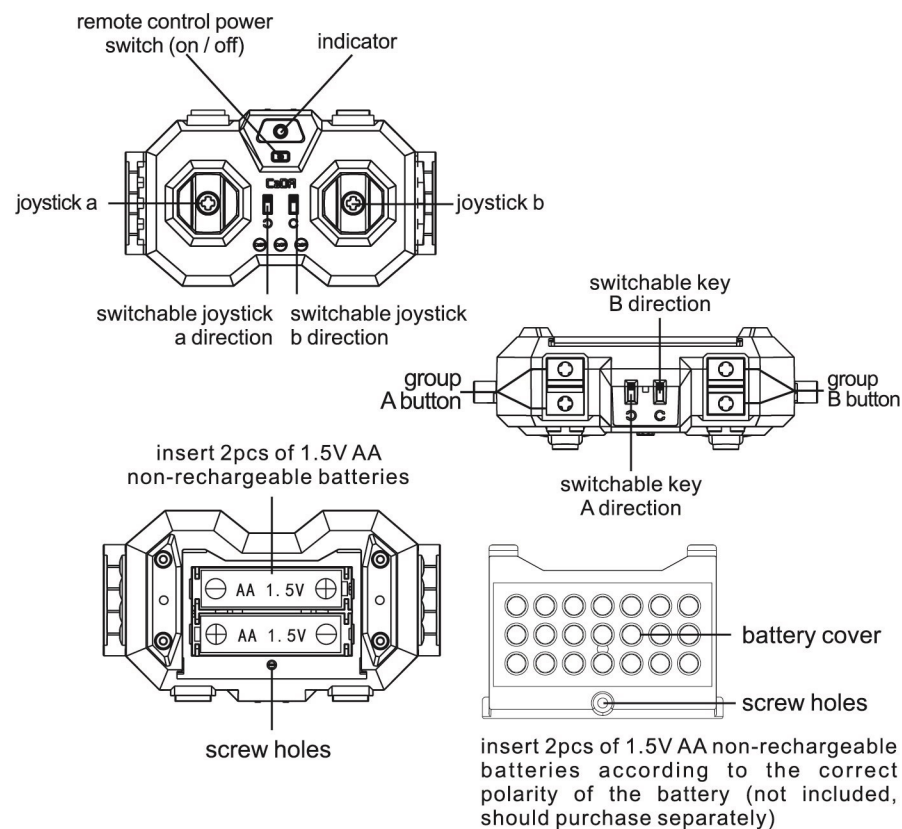


INSTRUCTIONS OF REMOTE CONTROL

REMOTE CONTROL



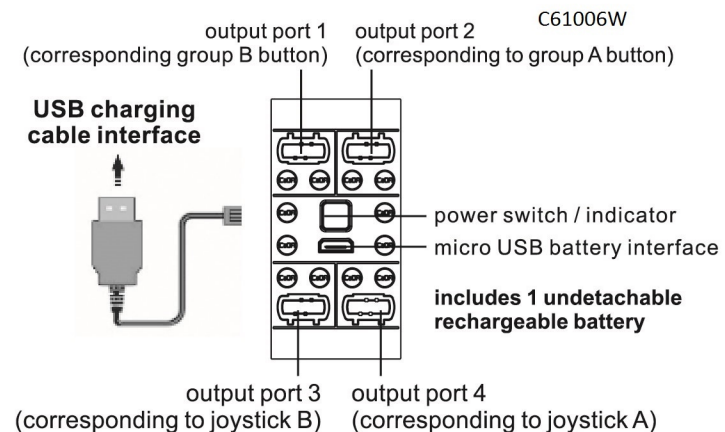
CHARGER

charging output: 5V-2A (not recommended to use a higher power charger)



The main parts of the toy have overload protection function. When connected to overload or faulty components, it will automatically power-off (it can't work), need to charge it for more than 2 seconds to recover.

BATTERY CASE



ATTENTION

1. You must charge the product when using it for the first time. The charger output current and charging line have an effect on the charging time.
2. When charging, the green light flashes to indicate that the charging is normal; the green light does not flash when the charging has been completed; charge for more than 3 hours to play.
3. The output port can only be used with the matching plug the product.
4. The output port can not touch the metal (conductive) surface. Please pay attention when placing and avoid damaging the product.
5. This toy contains batteries that are non-replaceable.

The instruction manual must be retained since it contains important information.

Frequency bands: 2405MHz to 2475MHz
Maximum output power: 0.9dBm (for EU)

Manufacturer: Doubleeagle Industry (China) Limited.
Address: Xingda Industrial Park, Chenghai District, Shantou City, Guangdong Province, China.

Importer Name: JAMARA e.K.
Address: Am Lauerbuehl 5
88317 Aichstetten Germany

CHOKING HAZARD-small parts, not for children under 3 years.
Specifications colors and contents may vary from illustrations.

This device complies with Part 15 of the FCC Rules. Operation is subject to the following two conditions: (1) this device may not cause harmful interference, and (2) this device must accept any interference received, including interference that may cause undesired operation.

changes or modifications not expressly approved by the party responsible for compliance could void the user's authority to operate the equipment.

This equipment has been tested and found to comply with the limits for a Class B digital device, pursuant to Part 15 of the FCC Rules. These limits are designed to provide reasonable protection against harmful interference in a residential installation. This equipment generates, uses and can radiate radio frequency energy and, if not installed and used in accordance with the instructions, may cause harmful interference to radio communications. However, there is no guarantee that interference will not occur in a particular installation.

If this equipment does cause harmful interference to radio or television reception, which can be determined by turning the equipment off and on, the user is encouraged to try to correct the interference by one or more of the following measures:

- Reorient or relocate the receiving antenna.
- Increase the separation between the equipment and receiver.
- Connect the equipment into an outlet on a circuit different from that to which the receiver is connected.
- Consult the dealer or an experienced radio/TV technician for help.