

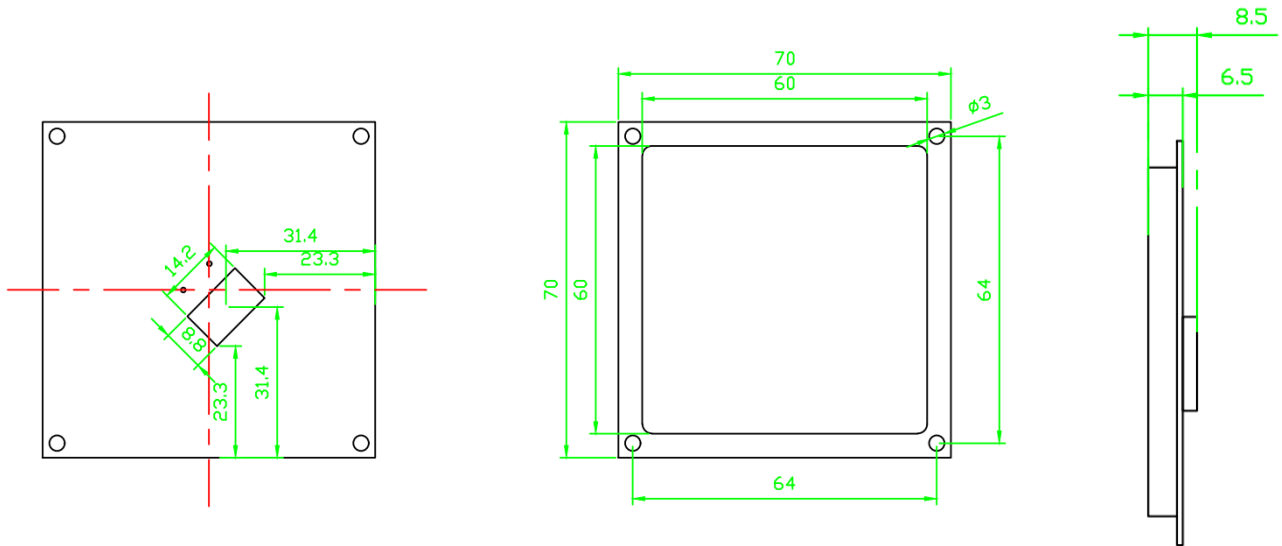
# Antenna test report

## A. Specification

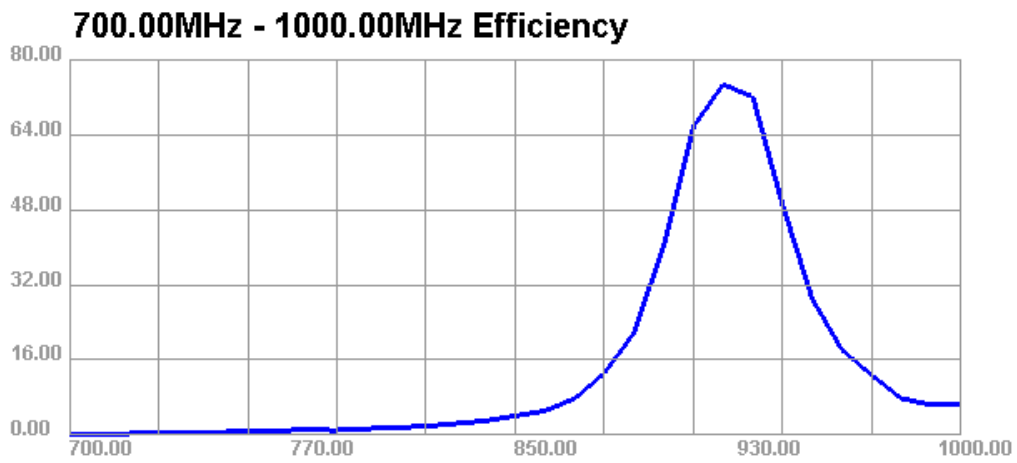
Electrical specifications	
Frequency range	902-930MHz
Gain	5dBi
Polarization mode	Circular polarization
Antenna shaft ratio	$\leq 5$ dB
Impedance	50 $\Omega$
Connector type	Various terminals and SMA connectors
Mechanical indicators	
Antenna ceramic size	60*60*4mm
Specification size	70*70mm
Antenna material	PCB ceramics
Operating temperature	-20-60°C



B. structure chart



C. VSWR Standing wave plot



D. Directional diagram

