



TW-1162 L/S BAND ANTENNA

FUNCTIONAL DESCRIPTION

- Broadband dipole antenna designed for military manpack, commercial, or body or vest mounted applications
- Operates in the 698–2600 MHz frequency range
- Gooseneck base bends up to 90°



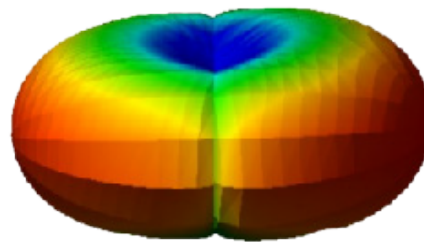
SPECIFICATIONS

Physical	
Length	10.50 in (266.70 mm)
Weight	4.64 oz (131.54 g)

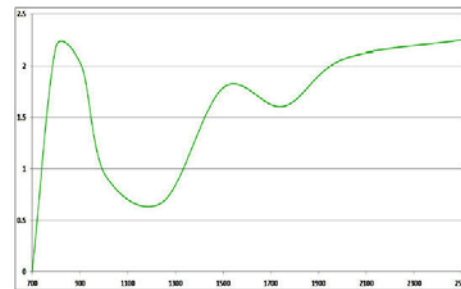
Electrical	
Frequency Range	698–970 MHz, 1250–2600 MHz, upper UHF and L/S bands
VSWR	2.5:1
Gain	max 2.4 dBi
Nominal Impedance	50 Ω
Power Rating	20 Watts PEP
Polarization	Vertical
Pattern	Azimuth 360° Elevation 75°
Connector	SMA Male

Specifications subject to change without notice.

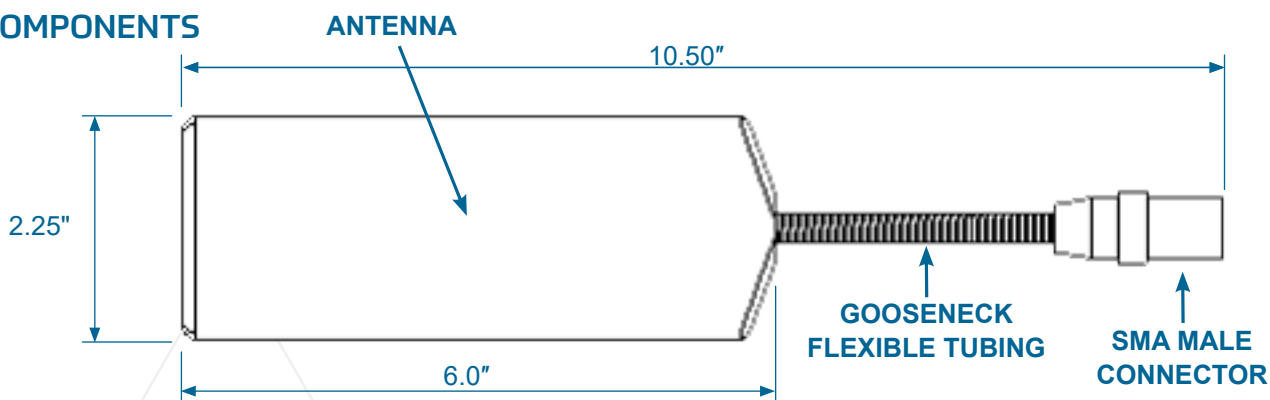
3D REFERENCE



GAIN VS. FREQUENCY



COMPONENTS



Please access the most recent digital version of this datasheet on the TrellisWare Customer Support Site (site registration required).

When Nothing Else Works

TrellisWare Technologies, Inc.
10641 Scripps Summit Court, Suite 100, San Diego, CA 92131
Tel: 858.753.1600 | info@trellisware.com | www.trellisware.com

To place an order, please contact your account manager.
For more information, email sales@trellisware.com

TrellisWare, the TrellisWare logo, and When Nothing Else Works are trademarks or registered trademarks of TrellisWare Technologies, Inc. in the United States and other countries. All other trademarks contained herein are the property of their respective owners and their use herein does not imply sponsorship or endorsement of their products or services.
Copyright © 2022 TrellisWare Technologies, Inc. All Rights Reserved DS-TW-1162-001r2