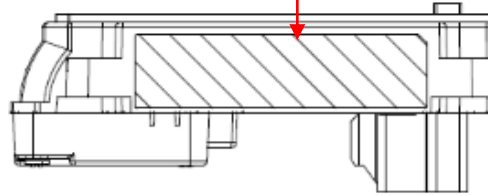
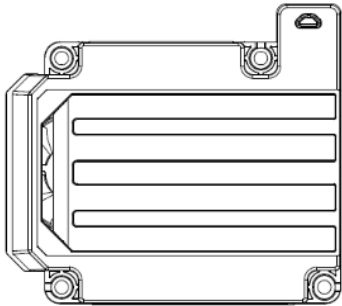


## 1. Main Label Information



Attach here

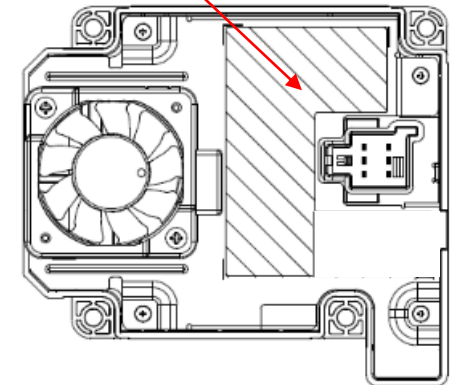


## 2. Sub Label Information

FCC ID : 2A6WXWCSTE40A  
IC : 28559-WCSTE40A

Attach here

BH EVS Co.,Ltd.



The Label shown shall be permanently affixed at a conspicuous location on the device and be readily visible to the user at the time of purchase.