

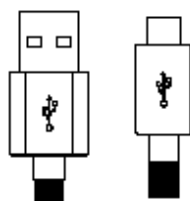
SHENZHEN DILI TECHNOLOGY CO.,LTD

D0042BK User Manual

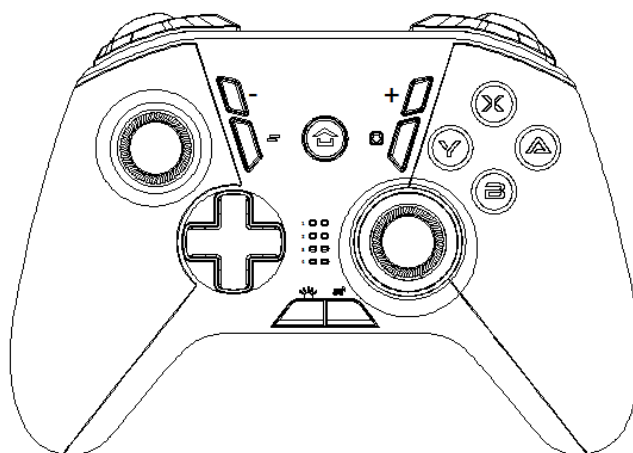
Thank you very much for using our bluetooth handle, this is a brand new design. Compatible with PC, Android, SWITCH platform. Please read this manual carefully before use, and save it for future use!

— Content

- | | |
|-------------------------------------|-----|
| 1. Bluetooth controller | 1pc |
| 2. User Manual | 1pc |
| 3. 1 meter USB to TYPE-C data cable | 1pc |



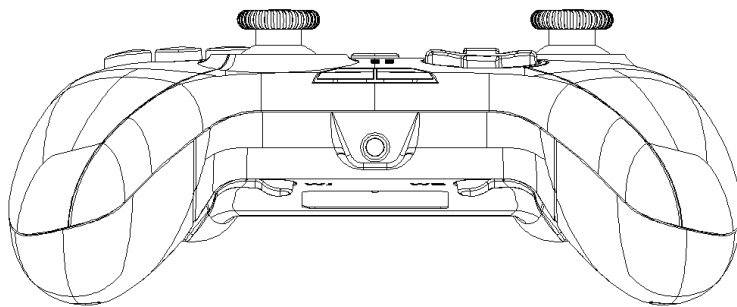
USB Cable



Bluetooth controller

≡ Feature

1. Compatible with PC, Android, Nintendo switch host
2. Use distance 10 meters
3. Built-in 600mA lithium battery
4. Use time is more than 8 hours
5. Two triggers, two joysticks, two motors
6. Support six axis
7. Support remote wake up Switch host



XBOX 360 Layout:

Press the Mode key for 5 seconds to switch modes

Corresponding BACK key

Corresponding START key

Left stick:

1. It can set different functions in different games, Customers can set according to their habits.
2. The left stick is the L3 button.

Arrow keys:

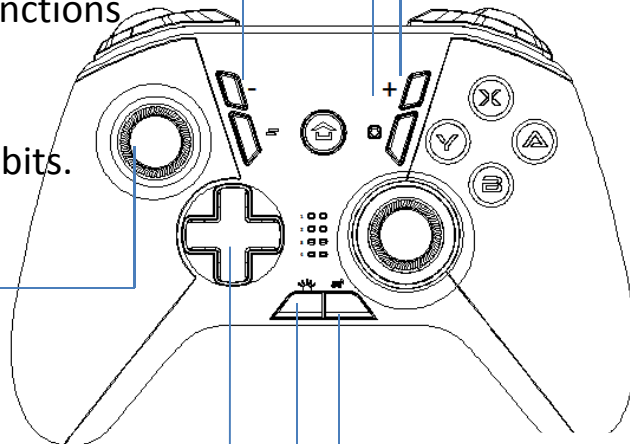
8 directions can be controlled in the game

The brightness section has 5 gears, 4 gears 100% brightness, 3 gears 75% brightness, 2 gears 50% brightness, 1 gears 25% brightness, and 0 gears turn off the backlight.

The operation method is as follows: Press the brightness adjustment button once, the brightness level will be reduced by one level, and the backlight of ABXY and the right joystick will be turned off at level 0. Press the key again to cycle to the highest brightness level.

It will automatically shut down if there is no action within 5 minutes.

Note: After burning the program, the motor vibration is the strongest, the backlight brightness is the strongest, and there is a memory function.



The motor adjusts a total of 5 gears, 4 gears vibration 100%, 3 gears vibration 75%, 2 gears vibration 50%, 1 gear vibration 25%, 0 gears off vibration. The operation method is as follows: Press the vibration adjustment button once to enter the vibration level adjustment mode. The current vibration level will be displayed along with the vibration for 1 second and the fluctuating effect of the LED light.

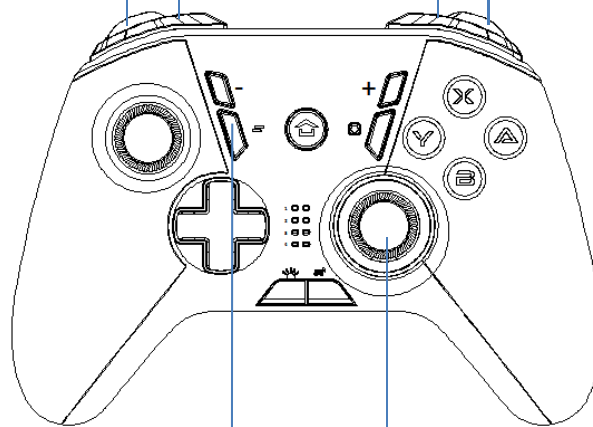
1. If you do not continue to press the vibration adjustment button within 1 second of vibration, the indicator light returns to the working mode display state.
2. If you continue to press the vibration adjustment button once within 1 second of vibration, the vibration will be reduced by one level, and the vibration function will be turned off at 0 gear. Press the key again to cycle to the 4 strongest vibration level.

Corresponding LB

Corresponding RB

Corresponding LT

Corresponding RT

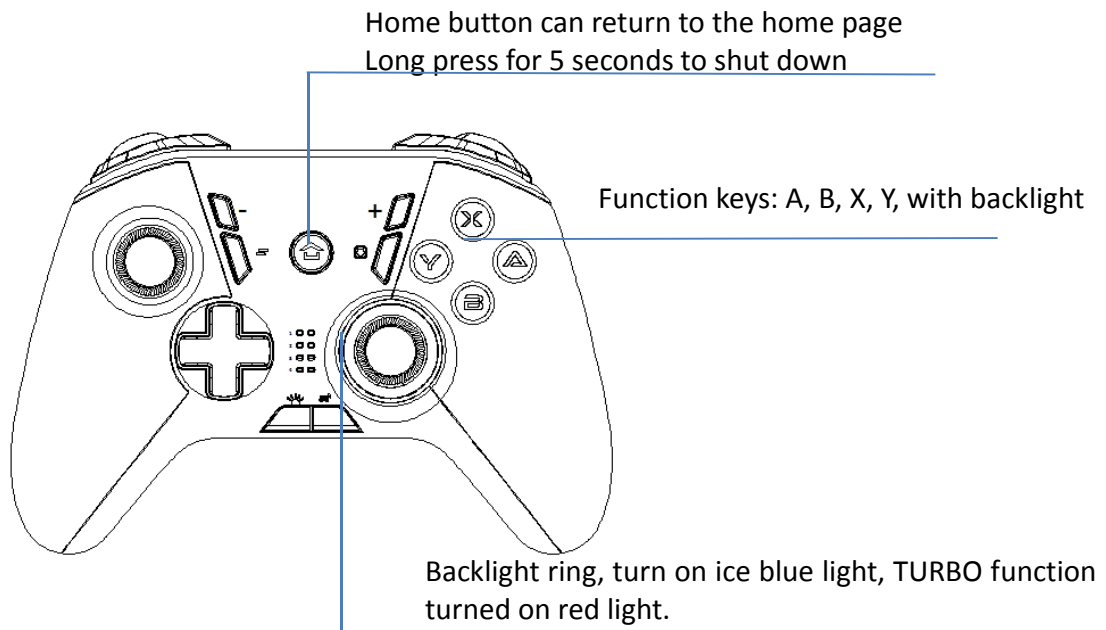


The Turbo button setting method is as follows:

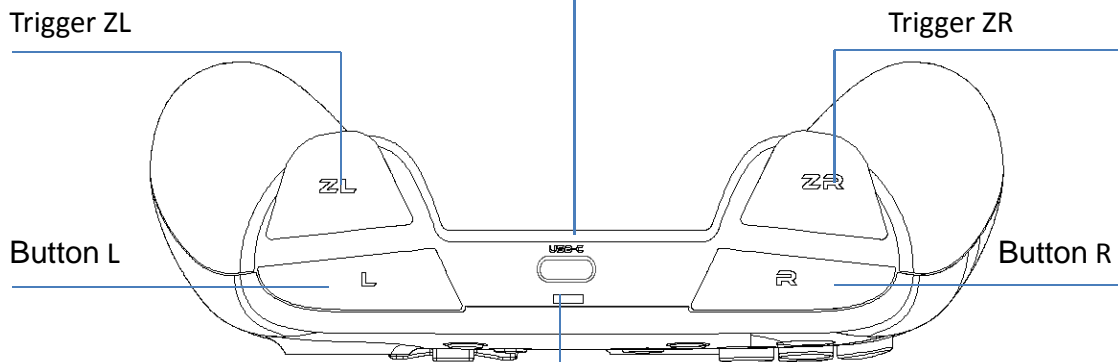
1. Press and hold the button you want to set as the TURBO function, and press the TURBO button again. If the backlight ring flashes red, the setting is successful. For example: Press and hold the set TURBO button in the game to achieve a quick hit function.
2. Press and hold the button that has been set as the TURBO function, and press the TURBO button again to cancel the TURBO function, and the backlight ring turns into ice blue.
3. It can be set as TURBO. The buttons are: A, B, X, Y, L, R, ZL, ZR, UP, Down, Left, Right.
4. Press and hold the Turbo button, move the right joystick up to speed up the Turbo sending speed, move down the right joystick to slow down the Turbo speed, there are three gears.

Right stick:

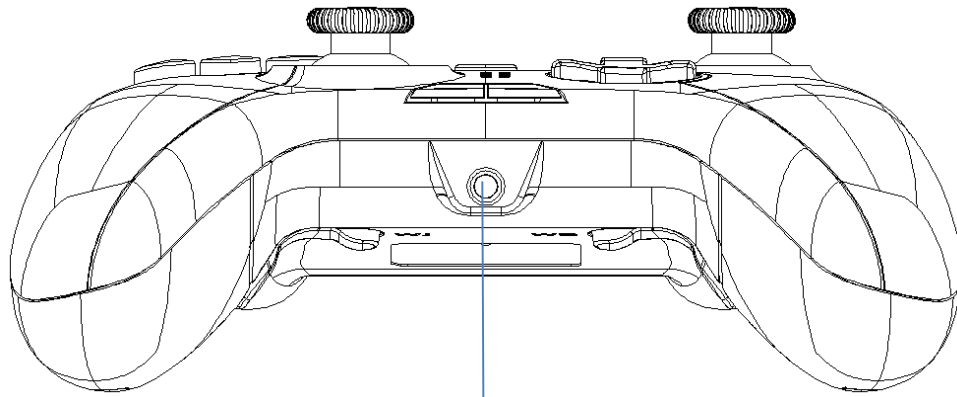
1. It can set different functions in different games, and customers can set according to their habits.
2. The right stick down key is the R3 key



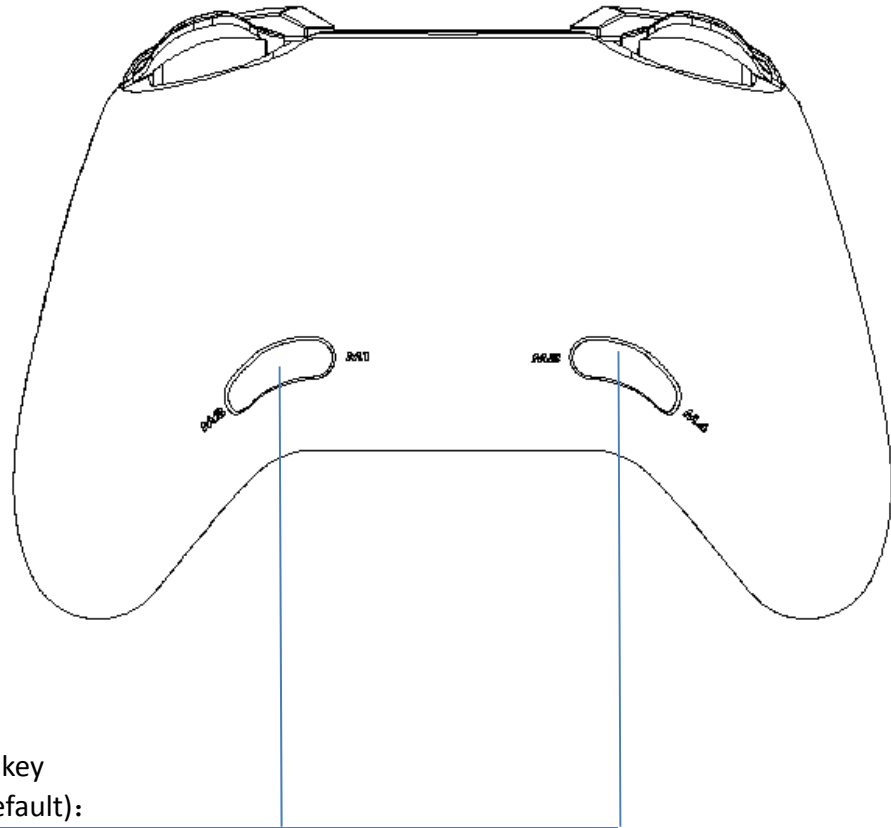
TYPE C
INPUT 5V,500mA



Charging indicator:
When charging, the green light flashes,
and it is always on when fully charged



Pairing key, long press for
3 seconds to enter pairing



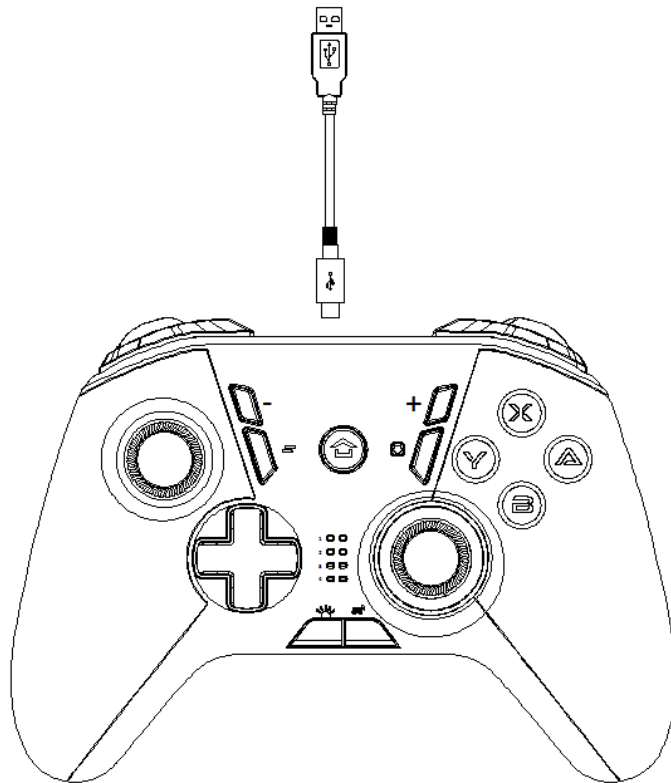
Programmable M key
(no function by default):

For example, M1 operation method:

- 1) Press and hold the M1 key, and then press the TURBO key, the backlight ring will always be pink and white, and enter the setting state.
- 2) Press the key you want to combine. (Such as L, R3)
- 3) Press M1 again to confirm the combination key, and the backlight ring turns into an ice blue light. At this time, the combination setting is successful, and the handle will record the sequence and time interval of the combination key press.
- 4) The combination keys that can be set are: (A, B, X, Y, L, ZL, R, ZR, arrow keys up, down, left, right) any combination, multiple combination keys can also be set as a key or Empty key, the empty key is pressed in the second step without a combination)
- 5) M2, M3, and M4 are set in the same way as M1.

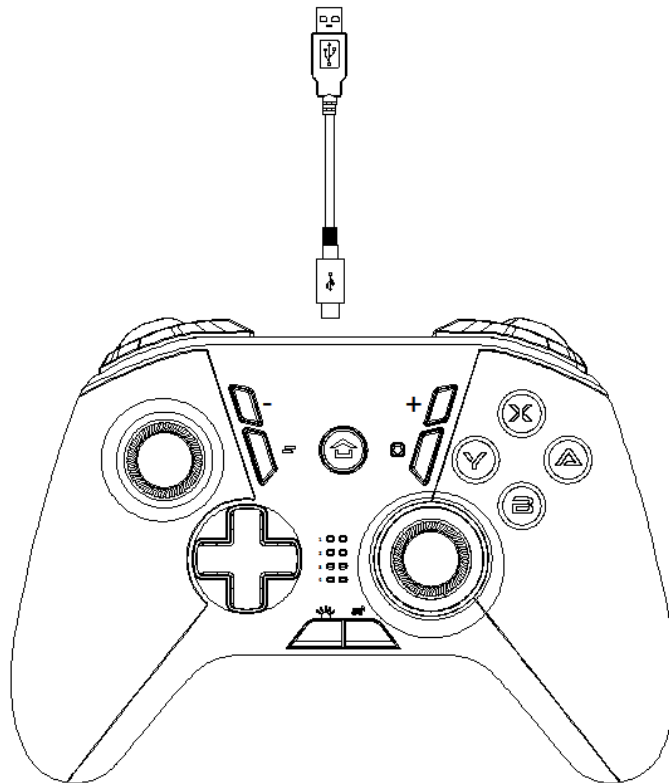
Xinput Wired connection settings:

1. Insert the USB cable directly into the computer USB port.
2. When LED1+LED4 is always on, the connection is successful, If it is not LED1+LED4, you can press the MODE button (screen capture button) for 5 seconds to switch.
3. You can enjoy your game.



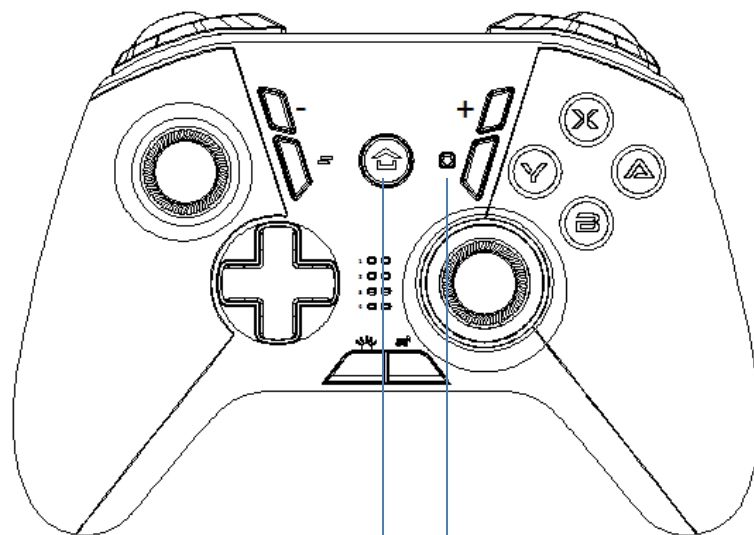
Android wired connection settings :

1. Insert the USB cable directly into the computer USB port.
2. When LED2+LED3 is always on, the connection is successful, If LED2+LED3 is not always on, you can press the MODE button (screen capture button) for 5 seconds to switch.
3. You can enjoy your game.



Nintendo switch wireless connection settings :

1. Open the Nintendo switch console, select the menu "Controller"-----"Change Grip and Order"
2. When the handle is turned off, press and hold the pairing button for 3 seconds, the channel light flashes, and the pairing starts.
3. When the channel LED is always on, the connection is successful.
4. You can enjoy your game.



Home button

After pairing, in the shutdown state, short press the HOME button to turn on the switch to wake up the Switch host remotely.

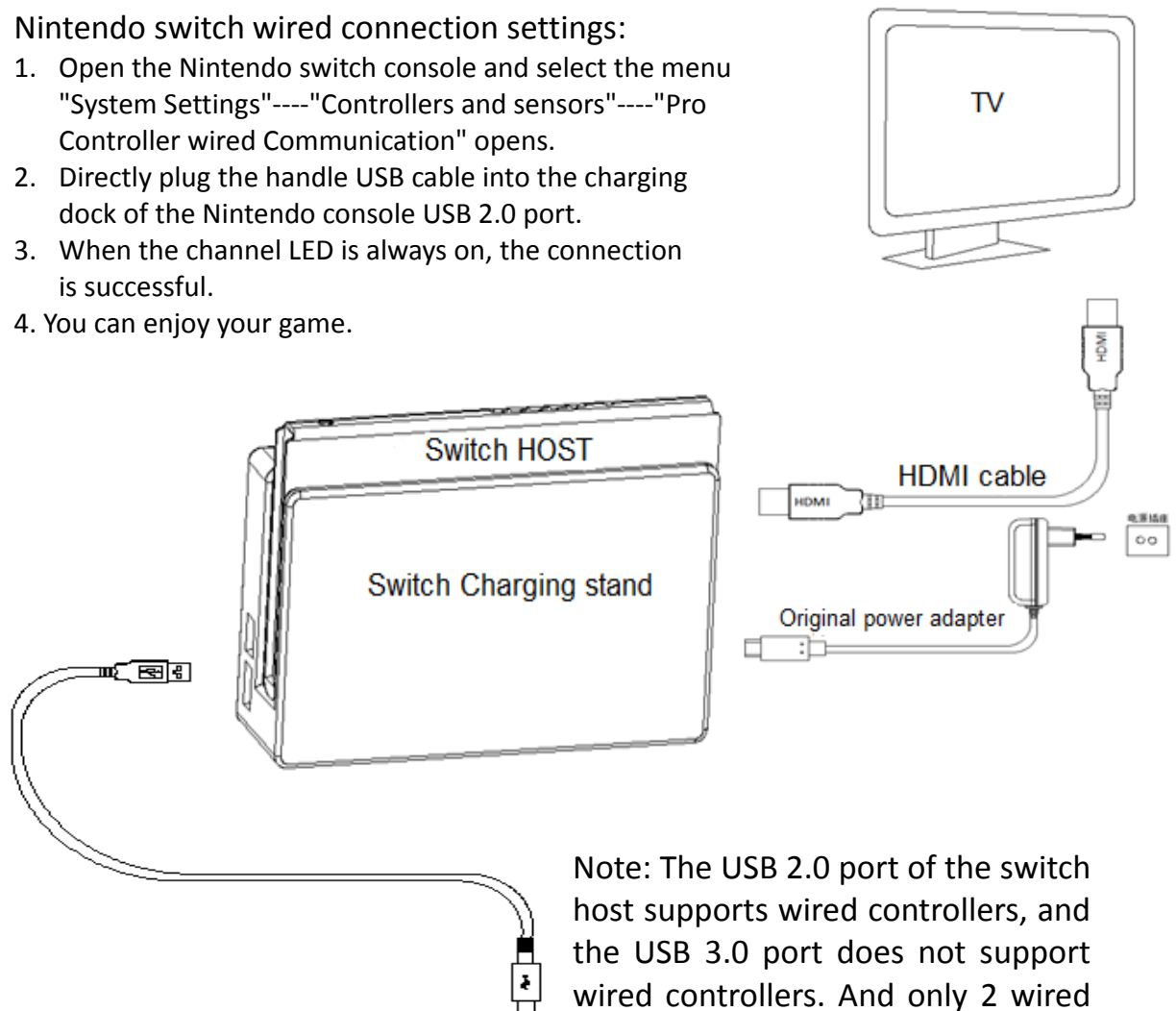
Capture button

1. The default screenshot key.
2. Long press the video function.

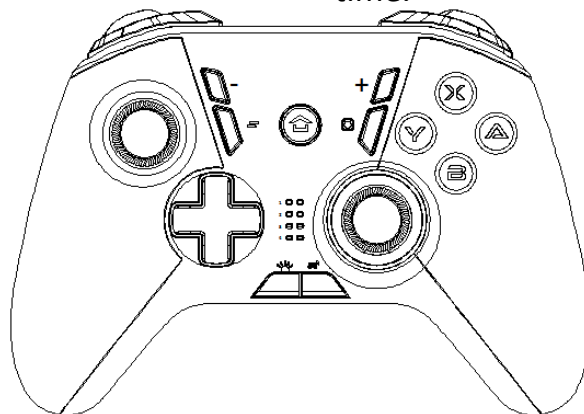
Low battery indication: When the battery voltage is lower than 3.5V, the channel indicator flashes, low voltage alarms, and the vibration function is turned off.

Nintendo switch wired connection settings:








1. Open the Nintendo switch console and select the menu "System Settings"----"Controllers and sensors"----"Pro Controller wired Communication" opens.
2. Directly plug the handle USB cable into the charging dock of the Nintendo console USB 2.0 port.
3. When the channel LED is always on, the connection is successful.
4. You can enjoy your game.



Note: The USB 2.0 port of the switch host supports wired controllers, and the USB 3.0 port does not support wired controllers. And only 2 wired controllers can be used at the same time.



The host has 8 channels automatically assigned:
 LED1 is always on, it is channel 1.
 LED1+LED2 is always on, it is channel 2
 LED1+LED2+LED3 is always on, it is channel 3
 LED1+LED2+LED3+LED4 is always on, it is channel 4
 LED1+LED4 is always on, it is channel 5
 LED1+LED3 is always on, it is channel 6
 LED1+LED3+LED4 is always on, it is channel 7
 LED2+LED3 is always on, it is channel 8

Channels	Indicator light
1	
2	
3	
4	
5	
6	
7	
8	

FCC WARNING

This device complies with part 15 of the FCC Rules. Operation is subject to the following two conditions: (1) this device may not cause harmful interference, and (2) this device must accept any interference received, including interference that may cause undesired operation.

Any changes or modifications not expressly approved by the party responsible for compliance

could void the user's authority to operate the equipment.

NOTE: This equipment has been tested and found to comply with the limits for a Class B digital device, pursuant to Part 15 of the FCC Rules. These limits are designed to provide reasonable protection against harmful interference in a residential installation. This equipment generates, uses and can radiate radio frequency energy and, if not installed and used in accordance with the instructions, may cause harmful interference to radio communications. However,

there is no guarantee that interference will not occur in a particular installation.

If this equipment does cause harmful interference to radio or television reception, which can be determined by turning the equipment off and on, the user is encouraged to try to correct the interference by one or more of the following measures:

- Reorient or relocate the receiving antenna.
- Increase the separation between the equipment and receiver.
- Connect the equipment into an outlet on a circuit different from that to which the receiver is connected.
- Consult the dealer or an experienced radio/TV technician for help.

The device has been evaluated to meet general RF exposure requirement. The device can be used in portable exposure condition without restriction.

FCC ID: 2A2BF-D0042BK